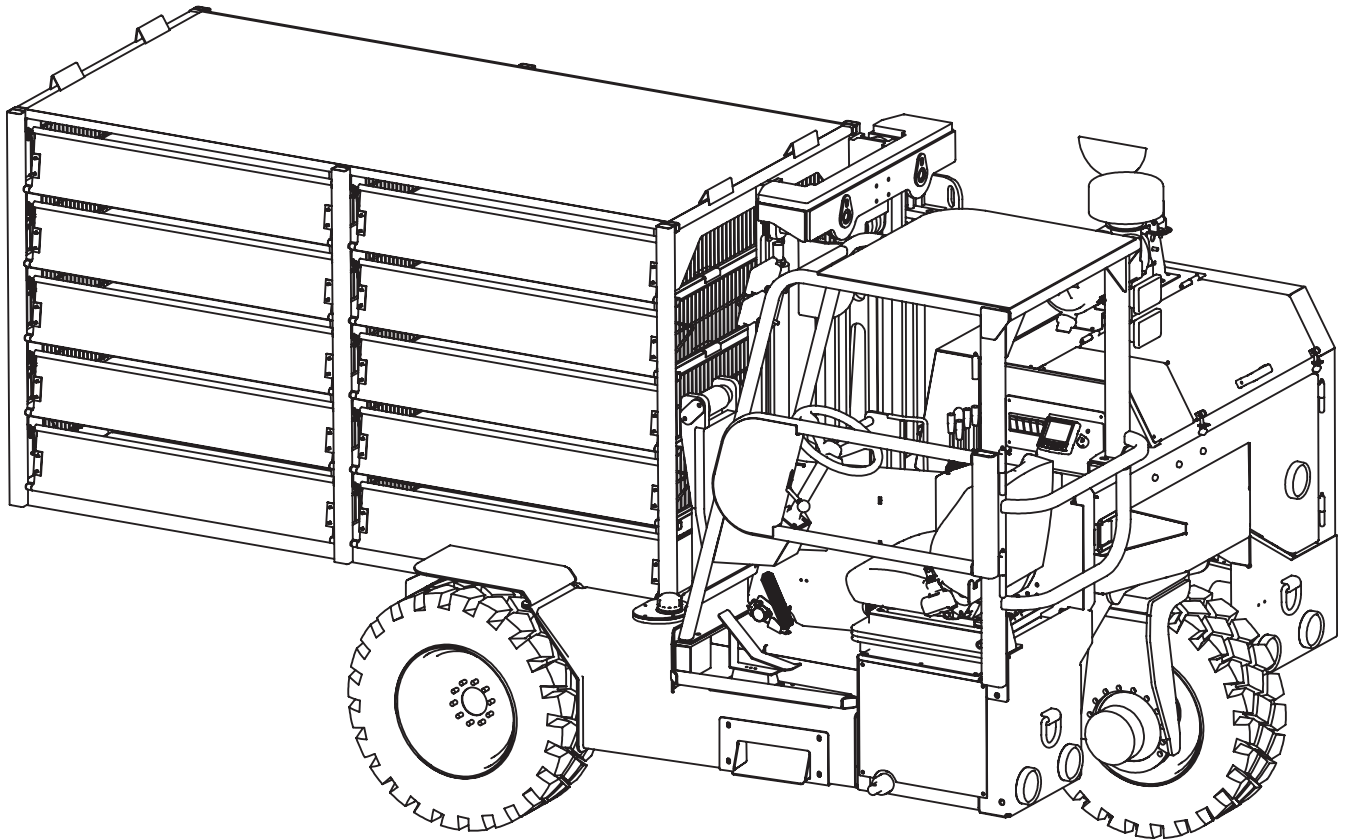




Bright Forklift Montacargas Bright

BC3-6560



Operator's Manual Manual del operador

Bright Coop Inc.
803 W. Seale St.
Nacogdoches, TX 75964
Phone: (936) 564-8378 • Fax: (936) 564-3281
Info@brightcoop.com

Printed in the U.S.A. 10/2021
REV: 08/2024
BC# 097-20866_EN&SP



Bright Forklift

BC3 6560



Bright Coop Inc.

803 W. Seale St.

Nacogdoches, TX 75964

Phone: (936) 564-8378 • Fax: (936) 564-3281

Info@brightcoop.com

Printed in the **U.S.A.** 10/2021

REV: 07/2023

BC# 097-20866_EN&SP



Bright Forklift

BC3-6560

Table of Contents

IMPORTANT! PRECAUTIONS & DANGERS	7
ROUGH TERRAIN FORKLIFT TRUCK GENERAL SAFETY STANDARDS.....	11
STUDY THE OPERATOR MANUAL	11
ADDITIONAL IMPORTANT LITERATURE	11
A.) OPERATOR TRAINING QUALIFICATIONS	11
B.) GENERAL SAFETY PRACTICES	12
C.) OPERATING SAFETY RULES AND PRACTICES	13
CONCLUSION:.....	17
TECHNICAL SUPPORT.....	17
INSTRUMENTS AND CONTROLS	18
CONTROLS DESCRIPTION.....	19
INSTRUMENT PANEL DESCRIPTION.....	20
MAST CONTROLS DESCRIPTION	21
GENERAL OPERATION INSTRUCTIONS.....	22
DRIVERS OPERATING INSTRUCTIONS.....	22
BEFORE STARTING THE FORKLIFT	22
STARTING THE FORKLIFT.....	22
DRIVING THE FORKLIFT.....	23
STOPPING THE FORKLIFT	23
OPERATING FORKLIFT ON PUBLIC HIGHWAYS.....	23
LOAD CAPACITIES	24
LOAD HANDLING INSTRUCTIONS	25
GENERAL	25
ATTACHMENTS	25
ENVIRONMENT.....	25
HANDLING	25
VISIBILITY	26
CHECK THE PLACEMENT AREA	26
LIFTING A LOAD FROM GROUND LEVEL.....	26
LIFTING AN ELEVATED LOAD	27
PLACING AN ELEVATED LOAD.....	29
WIDE LOADS	30
DOUBLE FORK A LOAD	30
TRACTION CONTROL OPERATION (DIFF. LOCK SWITCH).....	30



Bright Forklift

BC3-6560

Table of Contents

MOUNTING THE FORKLIFT	31
TO THE BACK OF A TRUCK OR TRAILER	31
UNLOADING THE FORKLIFT	32
FROM THE BACK OF A TRUCK OR TRAILER	32
MAINTENANCE INSTRUCTIONS FOR THE BRIGHT'S FORKLIFT	33
GENERAL MAINTENANCE	33
MAINTENANCE	33
LEVELS	33
WASHING	33
SERVICING SCHEDULE	34
EVERY DAY OR EVERY 10 HOURS	34
AFTER THE FIRST 50 HOURS	34
EVERY 50 HOURS SERVICE	34
EVERY 200 HOURS	34
EVERY 400 HOURS	34
EVERY 800 HOURS	35
EVERY 1500 HOURS	35
EVERY 2400 HOURS	35
EVERY 4800 HOURS	35
FUEL AND LUBRICANTS	36
FUEL	36
DIESEL FUEL SPECIFICATIONS	36
STORING FUEL	36
LUBRICANTS	36
MIXING OF LUBRICANTS	36
WHERE TO CHECK FLUID LEVELS	37
CAPACITIES	38
BRIGHT PART NUMBERS FOR FILTERS	38
WARRANTY AND LIMITATIONS OF LIABILITY	39
COVERAGE PROVIDED	39
RIGHT TO MAKE DESIGN CHANGES	40
KUBOTA DIESEL ENGINE WARRANTY INFORMATION	41
KUBOTA INDUSTRIAL ENGINE WARRANTY	42
ITEMS NOT COVERED BY WARRANTY	43



Bright Forklift

BC3-6560

Table of Contents

TROUBLESHOOTING.....	44
ENGINE TROUBLESHOOTING.....	45
ENGINE HARD TO START, WILL NOT START.....	45
ENGINE KNOCKS.....	45
ENGINE RUNS IRREGULARLY OR STALLS FREQUENTLY.....	46
BELOW NORMAL ENGINE TEMPERATURE.....	46
LACK OF ENGINE POWER.....	46
ENGINE OVERHEATS.....	47
HIGH OIL CONSUMPTION.....	47
LOW ENGINE OIL PRESSURE.....	47
HIGH FUEL CONSUMPTION.....	48
DIESEL ENGINE EMITS BLACK OR GREY EXHAUST SMOKE.....	48
DIESEL ENGINE EMITS WHITE SMOKE.....	48
BATTERY WILL NOT CHARGE.....	49
STARTER INOPERATIVE.....	49
STARTER CRANKS SLOWLY.....	49
ENTIRE HYDRAULIC SYSTEM FAILS TO FUNCTION.....	49
HYDRAULIC OIL OVERHEATS.....	49
MAST TROUBLESHOOTING GUIDE.....	50
MAST SAFETY PRECAUTIONS.....	51
PROBLEMS, CAUSES AND CORRECTIVE ACTIONS.....	52
SCHEMATICS.....	56
ELECTRICAL SCHEMATIC TRUCK.....	57
ELECTRICAL SCHEMATIC FOR DASH.....	59
HYDRAULIC SCHEMATIC FOR TRACTION.....	61
HYDRAULIC SCHEMATIC EXCLUDING TRACTION.....	63
ELECTRICAL SCHEMATIC WITH POWER DISTRIBUTION.....	65
ELECTRICAL SCHEMATIC FOR DASH WITH LOL SWITCH.....	67



Bright Forklift

BC3-6560

Study
to Be ***Knowledgeable***

Study
to Be ***Safe***

Study
for Your ***Safety &***

Study
for The ***Safety of Others***

Safety
is The
Operator's Responsibility



Bright Forklift

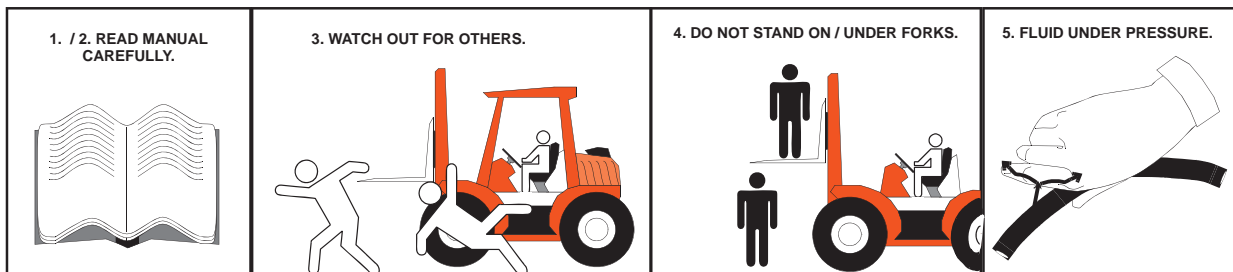
BC3-6560

IMPORTANT! PRECAUTIONS & DANGERS

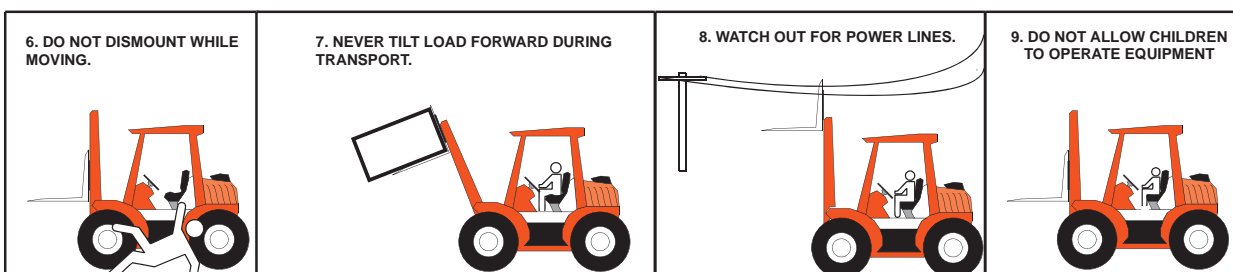
THE FOLLOWING PRECAUTIONS ARE SUGGESTED TO HELP PREVENT ACCIDENTS. A CAREFUL OPERATOR IS THE BEST OPERATOR. MOST ACCIDENTS CAN BE AVOIDED BY OBSERVING CERTAIN PRECAUTIONS. READ AND TAKE THE FOLLOWING PRECAUTIONS BEFORE OPERATING THIS FORKLIFT. EQUIPMENT SHOULD BE OPERATED ONLY BY THOSE WHO ARE RESPONSIBLE AND INSTRUCTED TO DO SO.



FAILING TO FOLLOW SAFETY WARNINGS AND INSTRUCTIONS CAN RESULT IN SERIOUS BODILY INJURY OR EVEN DEATH TO OPERATOR AND/OR OTHERS, IN THE AREA.



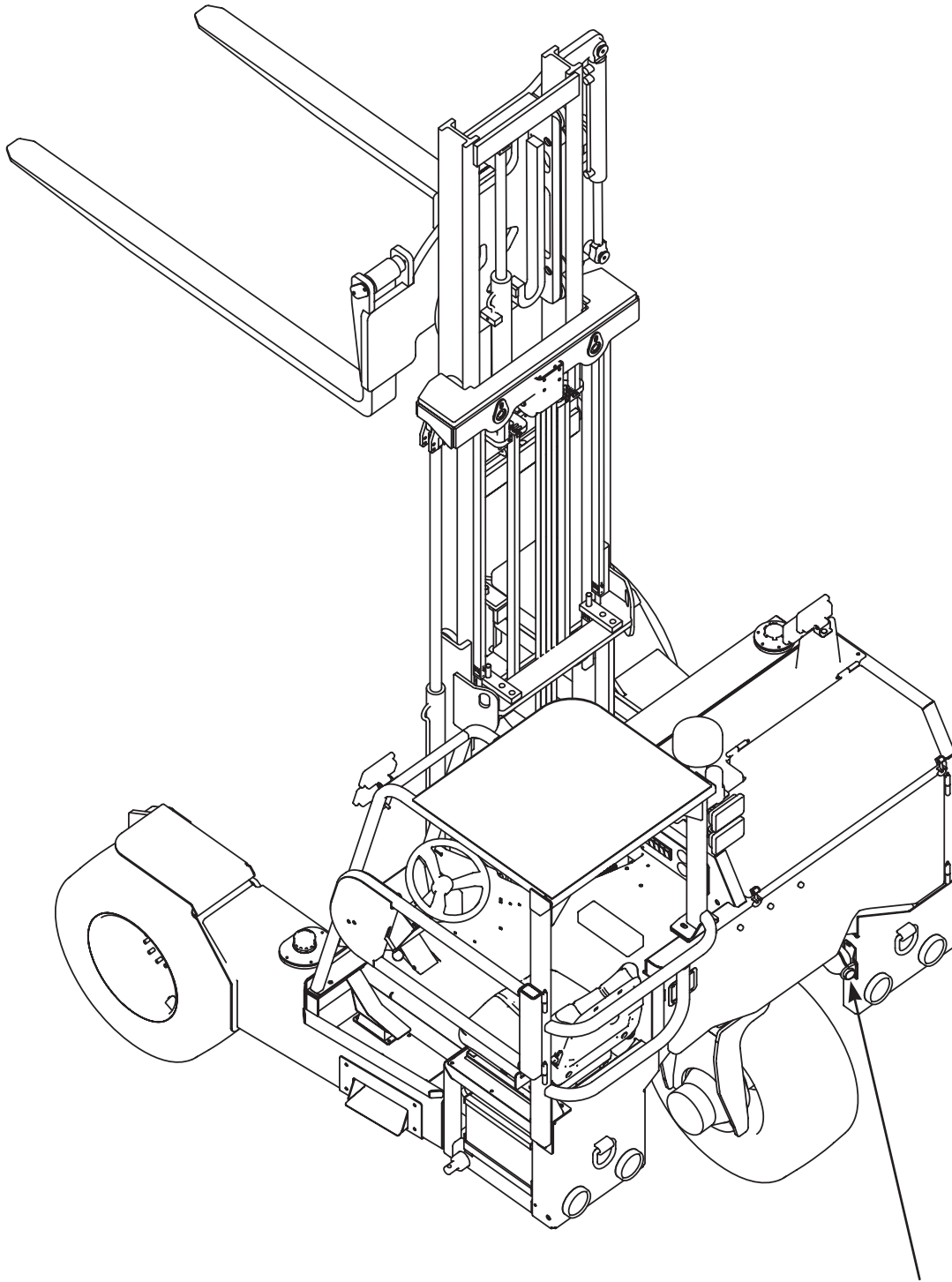
1. Study the Operator's Manual thoroughly, and be completely knowledgeable about operation of equipment.
2. Please pay close attention to Safety Warnings posted in various areas of the Operation Section.
3. Be careful of other persons in vicinity. ALLOW NO RIDERS.
4. DO NOT stand on or under the forks for any reason.
5. Hydraulic fluid is under pressure. DO NOT use hand to check for leaks. Use a piece of cardboard or paper. If fluid is injected into skin, obtain medical attention immediately.
6. Always start engine while sitting in operator's seat. Shut off equipment before dismounting from machine. TURN THE MAIN SWITCH OFF before performing any service or maintenance.
7. Never tilt forks forward while transporting load. This could cause machine to tip over. Keep load tilted backward and as close to the ground as possible.
8. Watch for low clearances such as power lines when operating equipment. Electrocutation could occur as a result of contact.
9. NEVER allow children or anyone not properly trained to operate equipment.





Bright Forklift

BC3-6560



WARNING



Bright Forklift

BC3-6560

WARNING

The engine exhaust from this product contains chemicals known to the State of California to cause cancer, birth defects or other reproductive harm.



Bright Forklift

BC3-6560

Safety

is The

Operator's

Responsibility



Bright Forklift

BC3-6560

ROUGH TERRAIN FORKLIFT TRUCK GENERAL SAFETY STANDARDS

STUDY THE OPERATOR MANUAL

The information in this manual provides general instructions for the safe operation and basic maintenance of your forklift truck. This information is vital and must be clearly understood by the operator and serviceman. Study this manual and the Kubota Diesel Engine Manual thoroughly and carefully before operating or servicing your forklift. Contact your dealer or Bright Coop Inc. if you have any questions concerning your forklift, its operation, service or parts. Keep both manuals in the literature box on the forklift available for reference. If either manual becomes illegible or is missing, contact your dealer for replacements immediately. This manual cannot cover every situation that might result in an accident. It is the responsibility of the operator to always remain alert for potential hazards and be prepared to avoid them!

ADDITIONAL IMPORTANT LITERATURE

ANSI / ITSDF B56.6 is the national consensus standard for rough terrain forklift trucks. It contains rules about forklift safety, maintenance, safe operation, training, and supervision. Forklift owners must learn this standard and make it available for their operators, service personnel, and supervisors. This standard can be obtained from the American Society of Mechanical Engineers (ASME), 345 East 47th St., United Engineering Center, New York, NY 10017. The following references are examples from the standard, addressing forklift operators:

A.) OPERATOR TRAINING QUALIFICATIONS

1. The Owner shall ensure that operators understand that safe operation is the operator's responsibility. The owner shall ensure that operators are knowledgeable of, and observe, all safety rules and practices.
2. Create an effective operator training program centered around user company's policies, operating conditions, and rough terrain forklift trucks. The program should be presented completely to all new operators and not be condensed for those claiming previous experience.
3. Information on operator training is available from several sources, including rough terrain forklift truck manufacturers, users, government agencies, etc.
4. An operator training program should consist of the following:
 - a. careful selection of the operator, considering physical qualifications, job attitude, and aptitude;
 - b. emphasis on safety of stock, equipment, operator, and other personnel;
 - c. citing of rules and why they were formulated;
 - d. basic fundamentals of rough terrain forklift truck and component design as related to safety, e.g., ft.-lb (N-m) loading, mechanical limitations, center of gravity, stability, etc.;
 - e. introduction to equipment, control locations, and functions. Explain how they work when used properly and problems when used improperly;
 - f. supervise practice on operating course remote from normal activity and designed to simulate actual operations, e.g., lumber stacking, elevating shingles to the roof, etc.;
 - g. oral, written, and operational performance tests and evaluations during and at completion of the course;
 - h. refresher courses, which may be condensed versions of the primary course, and periodic "on job" operator evaluation;
 - i. understanding of nameplate data, operator instructions and warning information appearing on the rough terrain forklift truck.



Bright Forklift

BC3-6560

ROUGH TERRAIN FORKLIFT TRUCK GENERAL SAFETY STANDARDS (CONT.)

B.) GENERAL SAFETY PRACTICES

1. Rough terrain forklift trucks can cause injury if improperly used or maintained.
2. Only authorized operators trained to adhere strictly to all operating instructions shall be permitted to operate rough terrain forklift trucks. Unusual operating conditions may require additional safety precautions, training, and special operating instructions.
3. Modifications and additions which affect capacity or safe operation shall not be performed without the manufacturer's prior written approval. Where such authorization is granted, capacity, operation, and maintenance instruction plates, tags, or decals shall be changed accordingly.
4. If the rough terrain forklift truck is equipped with front end attachment(s) or optional forks, the user shall see that the truck is marked to identify the forks or attachment(s), show the approximate weight of the truck and fork or attachment combination, and show the capacity of the truck with forks or attachment(s) at maximum elevation with load laterally centered.
5. The user shall see that all nameplates, caution and instruction markings are in place and legible.
6. The user shall consider that changes in load dimension may affect rough terrain forklift truck capacity.
7. Where steering can be accomplished with either hand and the steering mechanism is of a type that prevents road reactions from causing the hand wheel to spin (power steering or equivalent), steering knobs may be used. When used, steering knobs shall be of a type that can be engaged by the operator's hand from the top and shall be within the periphery of the steering hand wheel.
8. Experience has shown that rough terrain forklift trucks, which comply with stability requirements, are stable when properly operated. However, improper operation, faulty maintenance, or poor housekeeping may contribute to a condition of instability and defeat the purpose of the requirements.
9. Users shall give consideration to special operating conditions. The amount of forward and rearward tilt to be used is governed by the application. Although the use of maximum rearward tilt is allowable under certain conditions, such as traveling with the load lowered, the stability of a rough terrain forklift truck as determined by standardized tests does not encompass consideration for excessive tilt at high elevations or the operation of trucks with excessive off-center loads.
10. Some of the conditions which may affect stability are ground and floor conditions, grade, speed, loading (rough terrain forklift trucks equipped with attachments behave as partially loaded trucks even when operated without a load on the attachment), dynamic and static forces, improper tire inflation, and the judgment exercised by the operator.

WARNING

**NEVER USE THIS FORKLIFT TRUCK TO ELEVATE PERSONNEL,
EVEN IF YOU ARE USING A PERSONNEL PLATFORM.**

**IT IS PROHIBITED TO ELEVATE PERSONNEL WITH A FORKLIFT
THAT IS EQUIPPED WITH A ROTATOR.**



Bright Forklift

BC3-6560

ROUGH TERRAIN FORKLIFT TRUCK GENERAL SAFETY STANDARDS (CONT.)

C.) OPERATING SAFETY RULES AND PRACTICES

1. Safe operation is the responsibility of the operator.
2. This equipment can be dangerous if not used properly. The operator shall develop safe working habits and also be aware of hazardous conditions in order to protect himself, other personnel, the rough terrain forklift truck, and other material.
3. The operator shall be familiar with the operation and function of all controls and instruments before undertaking the operation of the rough terrain forklift truck.
4. Before operating any rough terrain forklift truck, truck operators shall have read and be familiar with the operator's manual for the particular truck being operated.
5. Before starting to operate the rough terrain forklift truck;
 - a. be in operating position and fasten seat belt;
 - b. place directional control in neutral;
 - c. apply Parking brake;
 - d. start engine.
6. Do not start or operate the rough terrain forklift truck from any place other than the designated operator's position.
7. Keep hands and feet inside the operator's designated area or compartment. Do not put any part of the body outside the operator compartment of the rough terrain forklift truck.
8. Never put any part of the body into the mast structure or between the mast and the rough terrain forklift truck.
9. Never put any part of the body within the reach mechanism of the rough terrain forklift truck or other attachments.
10. Understand rough terrain forklift limitations and operate the truck in a safe manner so as not to cause injury to personnel.
11. Do not allow anyone to stand or pass under the elevated portion of any rough terrain forklift truck, whether empty or loaded.
12. Do not permit passengers to ride on rough terrain forklift trucks.
13. Check clearance carefully before driving under electrical lines, bridges, etc.
14. A rough terrain forklift truck is attended when the operator is less than 25 ft. (7.6m) from the truck, which remains in his view.
15. A rough terrain forklift truck is unattended when the operator is 25ft (7.6m) or more from the truck, which remains in his view, or whenever the operator leaves the truck and it is not in his view.
16. Before leaving the operator's position:
 - a. bring rough terrain forklift truck to a complete stop;
 - b. place directional control in neutral;
 - c. apply the parking brake;
 - d. lower load-engaging means fully;
 - e. stop the engine;
 - f. if the rough terrain forklift truck must be left on an incline, block the wheels.
17. Maintain a safe distance from the edge of ramps, platforms, and other similar working surfaces.



Bright Forklift

BC3-6560

ROUGH TERRAIN FORKLIFT TRUCK GENERAL SAFETY STANDARDS (CONT.)

C.) OPERATING SAFETY RULES AND PRACTICES (cont.)

18. Do not move railroad cars or trailers with a rough terrain forklift truck.
19. Do not use a rough terrain forklift truck for opening or closing railroad car doors.
20. In areas classified as hazardous, use only rough terrain forklift trucks approved for use in those areas.
21. Report all accidents involving personnel, building structures, and equipment to the supervisor or as directed.
22. Do not add to, or modify, the rough terrain forklift truck.
23. Do not block access to fire aisles, stairways, and fire equipment.
24. For rough terrain forklift trucks equipped with a differential lock, the lock should not be engaged when driving on the road or at high speeds or when turning. If the lock is engaged when turning, there could be loss of steering control.
25. Observe all traffic regulations including authorized speed limits. Under normal traffic conditions, keep to the right, maintain a safe distance, based on speed of travel, from the truck ahead; and keep the truck under control at all times.
26. Yield the right-of-way to pedestrians and emergency vehicles such as ambulances and fire trucks.
27. Do not pass another truck traveling in the same direction at intersections, blind spots, or at other dangerous locations.
28. Slow down and sound the audible warning device(s) at cross-aisles and other locations where vision is obstructed.
29. Cross railroad tracks at an angle wherever possible. Do not park closer than 6 ft. (1.8m) to the nearest rail of a railroad track.
30. Keep a clear view of the path of travel and observe other traffic, personnel, and safe clearances.
31. If the load being carried obstructs forward view, travel with the load trailing.
32. Ascend or descend grades slowly and with caution.
 - a. When ascending or descending grades in excess of 5%, loaded rough terrain forklift trucks should be driven with the load upgrade;
 - b. Unloaded rough terrain forklift trucks should be operated on all grades with the load-engaging means downgrade;
 - c. On all grades, the load and load-engaging means shall be tilted back, if applicable, and raised only as far as necessary to clear the road surface;
 - d. Avoid turning, if possible, and use extreme caution on grades, ramps, or inclines; normally travel straight up or down. Under all travel conditions, operate the rough terrain forklift truck at a speed that will permit it to be brought to a stop in a safe manner.
33. Travel with load-engaging means or load low and, where possible, tilted back. Do not elevate the load except during stacking.
34. Make starts, stops, turns, or direction reversals in a smooth manner so as not to shift load and/or overturn the rough terrain forklift truck.
35. Do not indulge in stunt driving or horseplay.
36. Slow down for wet and slippery surfaces.
37. Before driving over a dock board or bridge plate, be sure that it is properly secured. Drive carefully and slowly across the dock board or bridge plate, and never exceed its rated capacity.



Bright Forklift

BC3-6560

ROUGH TERRAIN FORKLIFT TRUCK GENERAL SAFETY STANDARDS (CONT.)

C.) OPERATING SAFETY RULES AND PRACTICES (cont.)

38. Do not drive rough terrain forklift trucks onto any elevator unless specifically authorized to do so. Approach elevators slowly, and then enter squarely after the elevator car is properly leveled. Once on the elevator, neutralize the controls, shut off engine, and set the parking brake. It is advisable that all other personnel leave the elevator before truck is allowed to enter or leave.
39. Avoid running over loose objects on the roadway surface.
40. When negotiating turns, reduce speed to a safe level, and turn steering hand wheel in a smooth sweeping motion. Except when maneuvering at a very low speed, turn the steering hand rail at a moderate, even rate.
41. Use special care when traveling without load, as the risk of lateral overturning is greater.
42. Improper use of stabilizer controls (if so equipped) could cause rough terrain forklift truck upset. Always lower the carriage before operating stabilizer controls.
43. For rough terrain forklift trucks equipped with lateral leveling:
 - a. Always level the frame before raising the boom or mast, with or without a load;
 - b. Lateral leveling should not be used to position an elevated load; instead, lower the load and reposition the rough terrain forklift truck.
44. Handle only stable or safely arranged loads.
 - a. When handling off-center loads which cannot be centered, operate with extra caution;
 - b. Handle only loads within the capacity of the rough terrain forklift truck;
 - c. Handle loads exceeding the dimensions used to establish rough terrain forklift truck capacity with extra caution. Stability and maneuverability may be adversely affected.
45. When attachments are used, extra care shall be taken in securing, manipulating, positioning, and transporting the load. Operate rough terrain forklift trucks equipped with attachments as partially loaded trucks when not handling a load.
 - a. When handling off-center loads which cannot be centered, operate with extra caution;
 - b. Handle only loads within the capacity of the rough terrain forklift truck;
 - c. Handle loads exceeding the dimensions used to establish rough terrain forklift truck capacity with extra caution. Stability and maneuverability may be adversely affected.
46. When attachments are used, extra care shall be taken in securing, manipulating, positioning, and transporting the load. Operate rough terrain forklift trucks equipped with attachments as partially loaded trucks when not handling a load.
47. Completely engage the load with the load-engaging means. Fork length should be at least two-thirds of load length. Where tilt is provided, carefully tilt the load backward to stabilize the load. Caution should be used in tilting backward with high or segmented loads.
48. Use extreme care when tilting load forward or backward, particularly when high tiering. Do not tilt forward with load-engaging means elevated except to pick up or deposit a load over a rack or stack. When stacking or tiering, use only enough backward tilt to stabilize the load.



Bright Forklift

BC3-6560

ROUGH TERRAIN FORKLIFT TRUCK GENERAL SAFETY STANDARDS (CONT.)

C.) OPERATING SAFETY RULES AND PRACTICES (cont.)

49. The handling of suspended loads by means of a crane arm (boom) or other device can introduce dynamic forces affecting the stability of a rough terrain forklift truck. Grades and sudden starts, stops, and turns can cause the load to swing and create a hazard if not externally stabilized. When handling suspended loads:
 - a. do not exceed the truck manufacturer's capacity of the rough terrain forklift truck as equipped for handling suspended loads;
 - b. only lift the load vertically and never drag it horizontally;
 - c. transport the load with the bottom of the load and the mast as low as possible;
 - d. with load elevated, maneuver the rough terrain forklift truck slowly and cautiously, and only to the extent necessary to permit lowering to the transport position;
 - e. use tag lines to restrain load swing whenever possible.
50. At the beginning of each shift and before operating the rough terrain forklift truck, check its condition, giving special attention to:
 - a. tires and their inflation pressure;
 - b. warning devices;
 - c. lights;
 - d. lift and tilt systems, load-engaging means and chains;
 - e. brakes;
 - f. steering mechanism;
 - g. fuel system(s).
51. If the rough terrain forklift truck is found to be in need of repair or in any way unsafe, or if it contributes to an unsafe condition, the matter shall be reported immediately to the user's designated authority, and the truck shall not be operated until it has been restored to safe operating condition.
52. If during operation the rough terrain forklift truck becomes unsafe in any way, the matter shall be reported immediately to the user's designated authority, and the truck shall not be operated until it has been restored to safe operating condition.
53. Do not make repairs or adjustments unless specifically authorized to do so.
54. When refueling, smoking in the area shall not be permitted, the engine shall be stopped, and the operator shall not be on the rough terrain forklift truck.
55. Spillage of oil or fuel shall be carefully and completely absorbed or evaporated and fuel tank cap replaced before restarting engine.
56. Do not use open flames when checking electrolyte level in storage batteries, liquid level in fuel tanks, or the condition of LPG fuel lines and connectors.



Bright Forklift

BC3-6560

ROUGH TERRAIN FORKLIFT TRUCK GENERAL SAFETY STANDARDS (CONT.)

CONCLUSION:

1.) ATTEND OPERATOR TRAINING CLASSES

The forklift operator must clearly understand all instructions concerning the safe operation of the forklift and all safety rules and regulations of the work site. They must have successfully completed a training course in accordance with the Powered Industrial Truck Standard (29 CFR 1910.178) as described by the Occupational Safety and Health Administration (OSHA). They must be qualified as to their visual, hearing, physical, and mental ability to operate the equipment safely. NEVER use drugs or alcohol while operating a forklift! NEVER operate or allow anyone to operate a forklift when mental alertness or coordination is impaired! An operator on prescription or over-the-counter drugs must consult a medical professional regarding any side effects of the medication that may impair their ability to safely operate the forklift.

2.) CREATE A MAINTENANCE PROGRAM

OSHA recommends a maintenance log, listing repairs requested and completed, for each forklift. Also, "lock out tag procedures" should be utilized. If the forklift malfunctions; park it safely, remove the key, tag "Do Not Use", and report the problem to the proper authority or authorized service personnel immediately. For the best forklift performance and operation, a maintenance program is required.

Use the hour meter on the instrument panel to keep maintenance properly scheduled. For repairs on major components (engine, transmission, etc.), contact your nearest dealer for a Repair Manual. Do not operate a forklift that is damaged or does not function properly. Only authorized personnel may make repairs or adjustments to the lift truck. After repairs, the lift truck must be tested for safe operation before returning to service.

3.) FORKLIFT KNOWLEDGE

Forklift trucks can cause serious injury if improperly used or maintained. Study all of the manuals provided for your forklift model. Learn the locations and meanings of all safety decals. If any decals are illegible or missing, have them replaced immediately. Make sure all safety features provided by the original manufacturer are in place and function properly. Do not operate a forklift with damaged, missing or unsafe components. Have it repaired by authorized service personnel. Learn the functions of all controls, gauges, indicator lights, etc. on the forklift. Know the speed/gear ranges, braking and steering capabilities, load ratings and clearances. When referring to the location of forklift components, the terms "left", "right", "front", and "rear" are related to the operator seated normally, facing forward in the operator's seat. If you have any questions about the forklift, consult your supervisor. Failure to fully understand or obey safety warnings can result in serious injury or death!

4.) WORK SITE KNOWLEDGE

Before operating on a work site, learn the rules for movement of people, forklifts and all other traffic. Check the size, weight, and condition of the loads you will be expected to handle. Verify that they are properly secured and safe to transport. Learn where the loads are to be placed, planning your route for a safe approach, watching for hazardous conditions. Will a signalman be required to help place the load? Remove any debris, which may cause tire damage or rupture. Plan your route around problem areas or have them corrected. Inform the supervisor of any unsafe conditions observed at the site. Examples of hazards: power lines, cables, low clearance structures, garage doors, telephone pole guide lines, fencing, loose lumber, building materials, drop-offs, trenches, rough/soft spots, oil spills, deep mud, steep inclines, railroad tracks, curbs, etc. NEVER approach power lines, gas lines or other utilities with the forklift! Always verify that local, state/provincial and federal regulations have been met. Report any accidents involving personnel, building structures, and equipment to the supervisor immediately. Always remain alert - conditions are constantly changing at the work site!

TECHNICAL SUPPORT

All data provided in this manual is subject to production changes, addition of new models, and improved product designs. If a question arises regarding your forklift, please consult your dealer or Bright Coop Inc. for the latest information. When ordering service parts or requesting technical information, quote the applicable Model/Serial Number.

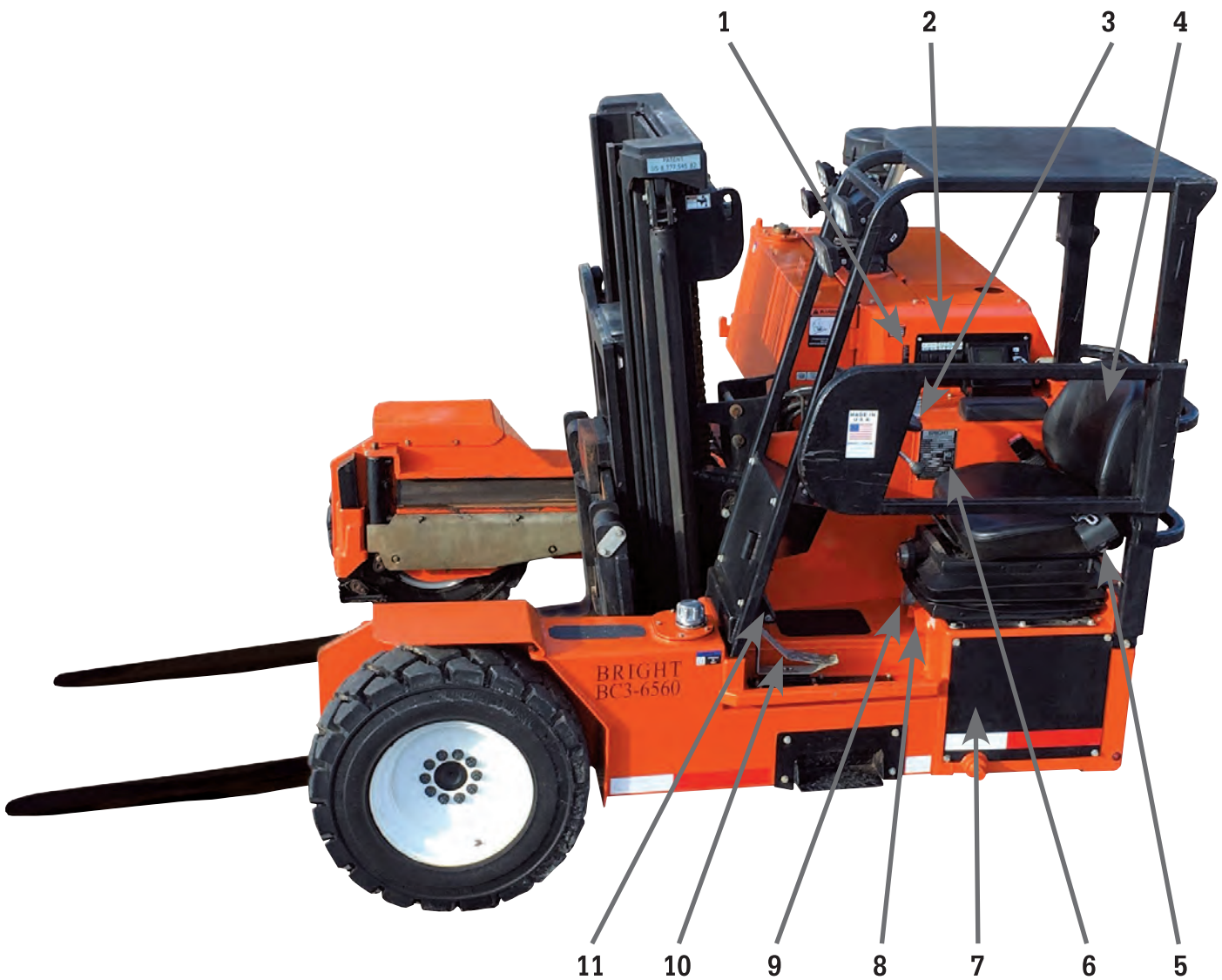


Bright Forklift

BC3-6560

INSTRUMENTS AND CONTROLS

Image A





Bright Forklift

BC3-6560

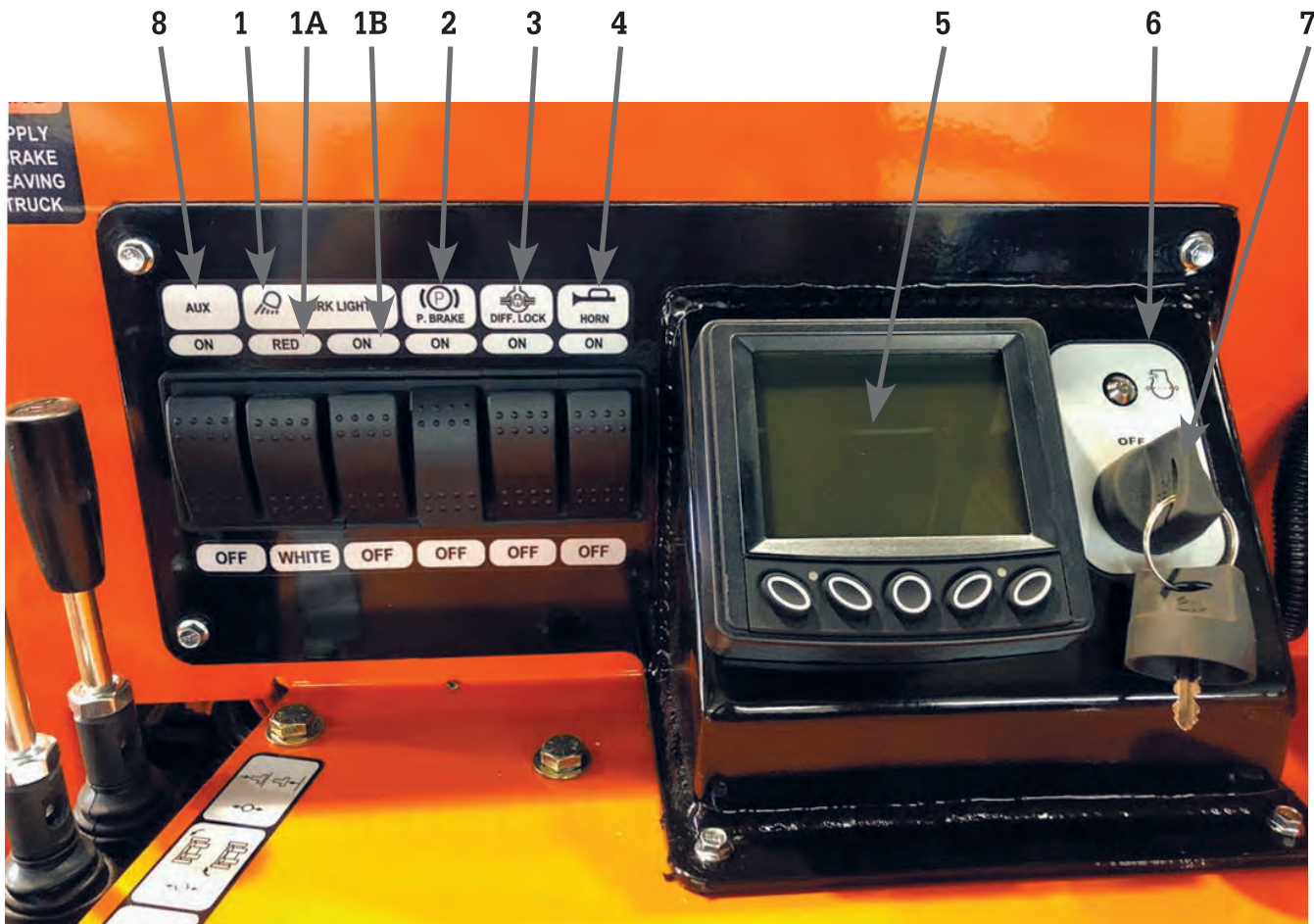
INSTRUMENTS AND CONTROLS

Image A:

Controls Description

1. Hydraulic Mast Control Levers
2. Instruments Panel
3. Steering wheel
4. Operator's seat
5. Seat belt
6. Nameplate
7. Battery Access Panel
8. Main Switch
9. 7 Way Receptacle Tail Lights
10. Hydrostatic Direction & Speed Control
11. Foot Throttle

Image B: Instrument Panel

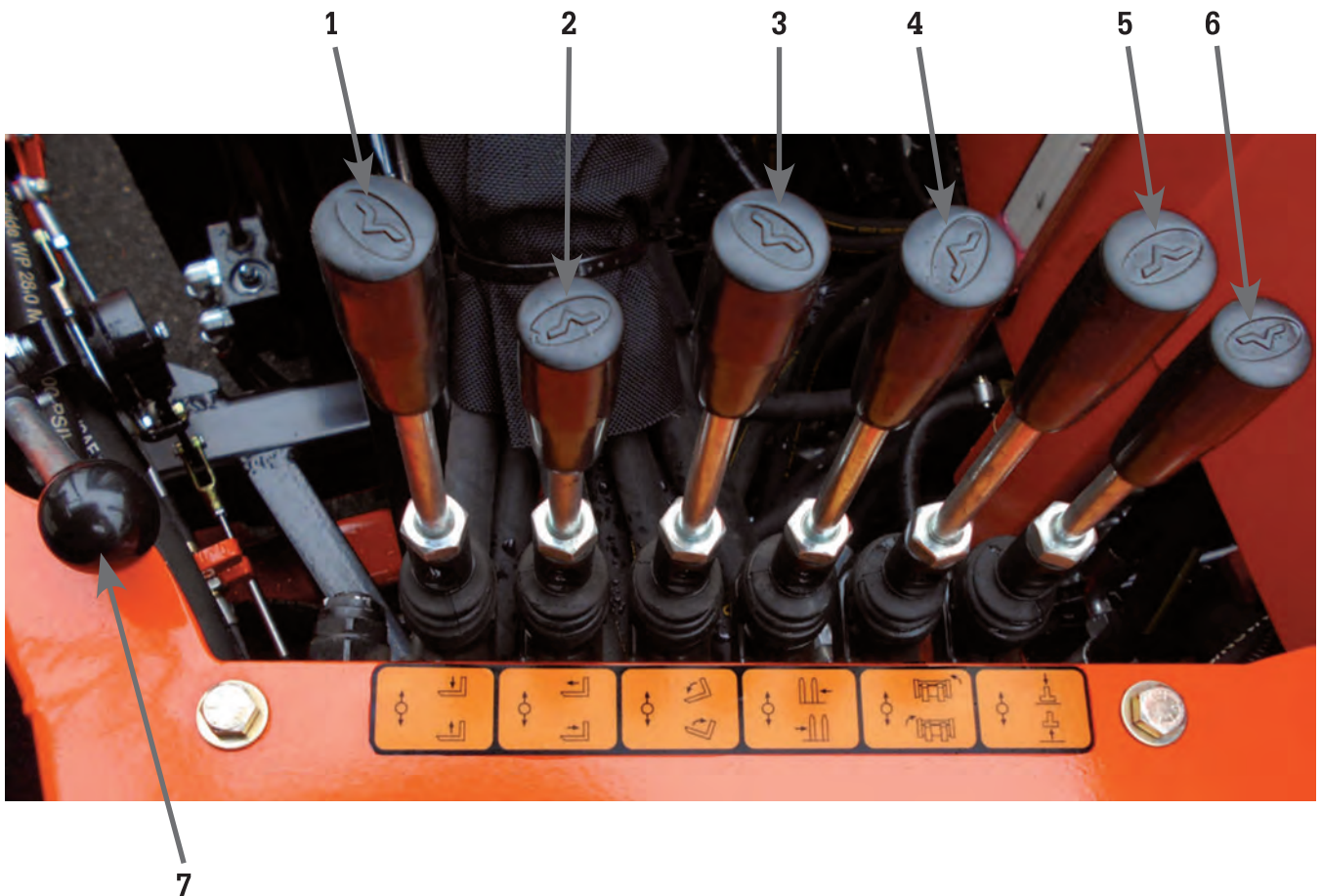


Instrument Panel Description

- | | |
|----------------------------|-----------------------------------|
| 1. Work Light Switches | 4. Horn |
| 1A. Work Light Main Switch | 5. PV380 Digital Display |
| 1B. Work Light Main Switch | 6. Dirty Filter Indicator Light |
| 2. Parking Brake | 7. Ignition |
| 3. Diff_Lock | 8. Auxiliary switch (if equipped) |

INSTRUMENTS AND CONTROLS

Image C: Mast Controls



Mast Controls Description

- | | |
|----------------------------------|---|
| 1. Lowering / raising lever | 5. Rotate counter clockwise / clockwise lever |
| 2. Extending / retracting lever | 6. Lower / raise stabilizers lever |
| 3. Tilt forward / backward lever | 7. Hand throttle |
| 4. Shift left / right lever | |



Bright Forklift

BC3-6560

GENERAL OPERATION INSTRUCTIONS

Drivers operating instructions

1. Wear clothes suited for driving the lift truck. Avoid loose fitting clothes.
2. Never operate the vehicle when hands or feet are wet or soiled with greasy substances.
3. When mounting the forklift, do not use the steering wheel as a pull handle; use the step provided when mounting or dismounting the forklift.
4. For increased comfort adjust the driver's seat as required.
5. The operator must always be seated normally when in the driver's seat. It is prohibited to have arms, legs or any part of the body, extended from the cab of the forklift.
6. Always remember to fasten your seat belt and adjust it properly before operating the forklift.
7. Never allow a passenger to travel on the lift truck, or in the cab.

Before starting the forklift

1. Check the condition of the tires and tire pressures.
2. Check all fluid levels engine oil, hydraulic reservoir oil, and cooling system.
3. Check for possible leaks: oil, fuel, or other fluids.
4. Check the latches on the hood and engine compartments.
5. It is advised that the operator be familiarized with the location and operation of all the instruments and controls before operating the forklift.

Starting the forklift

WARNING

Do not operate the forklift unless properly seated, with seat belt fastened

NOTICE

Never try to start the forklift by pushing or towing it. Pushing or towing the forklift can cause severe damage to the transmission

1. Verify that the parking brake is engaged.
2. Make sure that the Hydrostatic direction & speed control pedal is in neutral position.
3. In cold condition turn the ignition key to position "ON" and hold until indicator light turns off.
4. Turn the key to the "ST" (Starting) position and the engine should start. Release the key immediately when the engine starts.
5. Check to see that the oil pressure lamp and charge lamp are off. If the lamps are still on, immediately stop the engine, and determine the cause.
6. Warm up the engine at medium speed without load.

NOTICE

Do not engage the starter motor for more than 15 seconds at a time. Wait 2 minutes between starting attempts, allowing starter to cool down. Engage the pre-heater for 10 seconds between attempts.



Bright Forklift

BC3-6560

Driving the forklift

1. Always drive the forklift with the forks or attachment at approximately 12 inches (300 mm.) from the ground.
2. Familiarize yourself with the forklift on the terrain where it will be used.
3. Ensure that the Parking brake and the back-up alarm are working properly.
4. Drive at an appropriate speed for the conditions and the state of the terrain.
5. Slow down before executing a turn.
6. In all circumstances make sure you are in control of your speed.
7. On damp, slippery, or uneven terrain, drive slowly.
8. Slow down gently, never abruptly.
9. Do not drive with the parking brake on.
10. Always remember that hydrostatic type steering is extremely sensitive to movement of the steering wheel, so turn it gently and not erratic.
11. Never leave the forklift unattended while the engine is running.
12. Look in the direction of travel and always ensure you have good visibility of the route ahead.
13. When working at night ensure that your forklift is fitted with full beam lights.
14. Drive around obstacles.
15. Never move onto a foot bridge, floor or freight lift without being certain that they are prescribed for the weight and size of the forklift to be loaded.
16. The loaded forklift must not travel at speeds in excess of 7 m.p.h. (12 km/h).
17. Never move onto a loading platform without having first checked:
 - a. That it is suitably positioned and made fast;
 - b. That the unit to which it is connected will not shift;
 - c. That this platform is prescribed for the total weight or the forklift to be loaded;
 - d. That this platform is prescribed for the width of the truck.

WARNING

Take extreme care when operating around platforms, trenches, recently dug and back filled terrain

Stopping the forklift

1. Before stopping the forklift after a long working period leave the engine idling for a few moments to allow the coolant liquid and oil to lower the temperature of the engine and transmission.
2. Never leave the ignition key in the forklift when it is unattended.
3. When the forklift is stationary place forks on the ground, and apply the parking brake.
4. Make sure the forklift is not stopped in any position that will interfere with the traffic flow and at least 6 ft. (1.8m) away from track of a railway.
5. Park the forklift on flat ground or on an incline lower than 15%.
6. Release the accelerator pedal and stop the lift truck.
7. Apply the parking brake.
8. Retract entirely the mast.
9. Lower the forks to rest on the ground.
10. Stop the engine with the ignition switch.
11. Remove the pressure in the hydraulic circuits by using the hydraulic controls.
12. Remove the key.
13. If required to park on an incline park the forklift at a right angle to the slope set parking brake, & chock the wheels.

Operating forklift on public highways

WARNING

You must observe all highway codes when operating your forklift. Mount type forklifts are not allowed to drive on public highways.

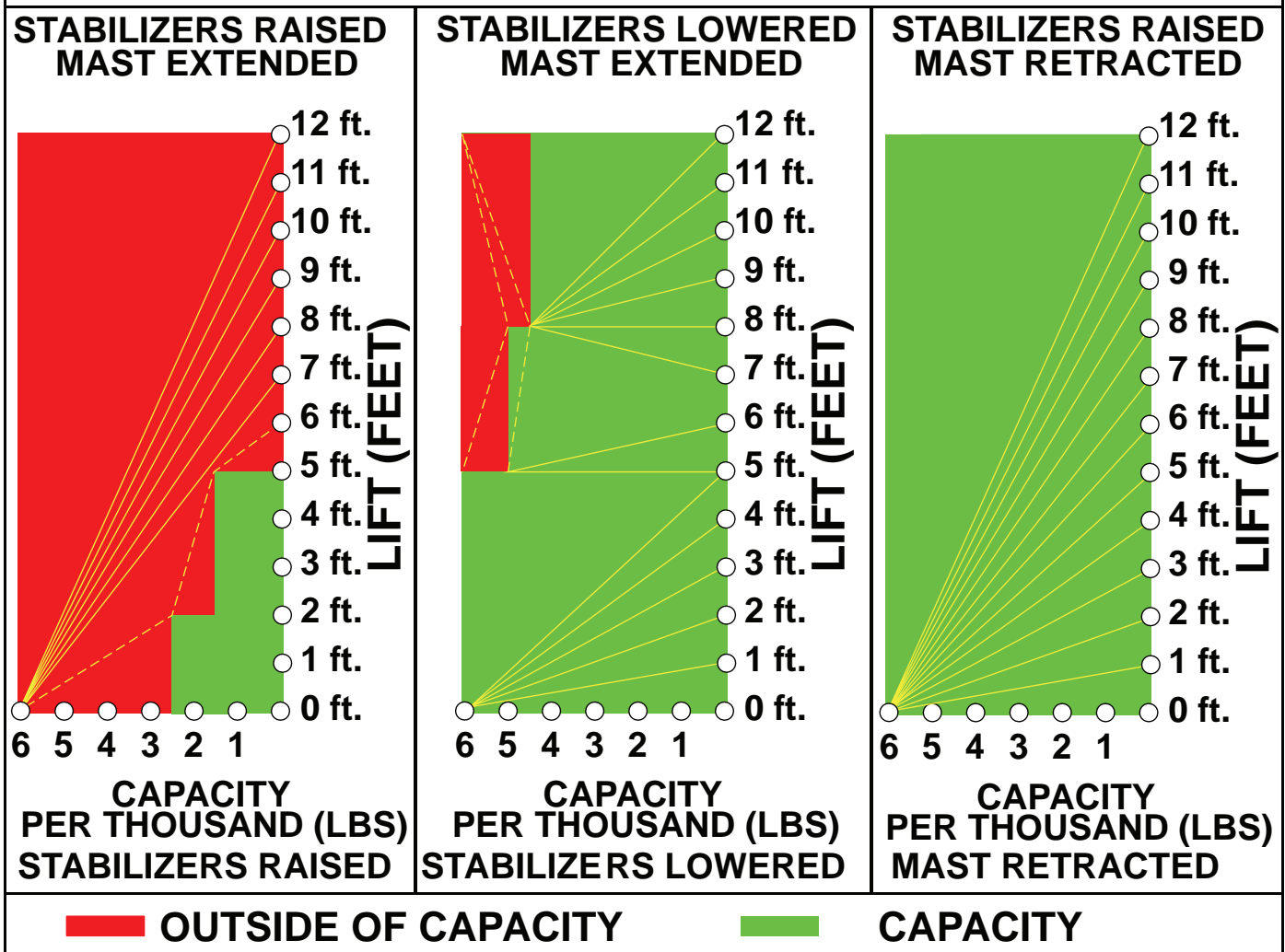


Bright Forklift

BC3-6560

Load Capacities

LOADING CAPACITY @ 24" CENTER (48" CUBE) ON A FIRM LEVEL SURFACE





Bright Forklift

BC3-6560

LOAD HANDLING INSTRUCTIONS

General

1. Do not attempt to perform any operation which exceeds the capacities of your lift truck or attachment.
2. Before lifting a load: check the size, weight, and condition of the load.
3. If the load is not properly marked, check with your supervisor for verification of weight. Divide the load into smaller unit if necessary.
4. Note the center of gravity of the load area where to place the forks for stable transport.
5. Verify that the load is properly wrapped or banded and safe to transport. Check the condition of the pallet or skid. Does it need to be replaced? If the load is of loose materials or is poorly wrapped, it must be made secure.
6. Secure the load so that it will not shift or fall during transport.
7. It is prohibited to increase the counterweight value in any way.
8. It is strictly prohibited to carry or to lift personnel with the forklift.
9. Never lift a load with a single fork.
10. Never lift a sling load with a single fork or with the carriage.

Attachments

1. Ensure your lift truck's attachments function correctly.
2. Ensure that the attachment is correctly fitted and locked to its frame.
3. Adhere to the limits on the load chart for the lift truck and/or attachments.
4. Ensure that quick fit hydraulic connections on the attachment system are clean and protected.

WARNING

You must consult your local electrical agency. You could be seriously injured if you operate near power cables

Environment

1. Take care when raising a load that no object or person is in the way of mast or forklift movement.
2. In the case of work near aerial lines, ensure that the safety distance is sufficient between the working area of the lift truck and the aerial line.
3. Do not allow personnel to come near the working area of the lift truck or pass beneath an elevated load.
4. When using the lift truck on a slope, before raising the forks ensure that the forklift is level and stable
5. Ensure that the loading platform or pile is capable of bearing the weight.
6. Ensure the stability and solidity of the ground before depositing the load.
7. When traveling on a longitudinal slope drive and brake gently. Move with load / forks facing uphill.

Handling

1. Always consider safety. Only transport balanced and correctly secured loads to avoid any risk of tipping.
2. Fully engage forks under the load and transport in the low position approximately 12" (300mm) from the ground, with the mast retracted to the maximum and sloping backwards.
3. Do not maneuver the forklift with the mast in the raised position except under exceptional circumstances and then only with extreme caution, at very low speed and using gentle braking. Ensure that visibility is adequate and get another person to guide you along if necessary.
4. Never shift the position of the load while the lift truck is in motion.
5. The simultaneous use of two forklifts to handle heavy or bulky loads is a dangerous maneuver, requiring specific precautions to be taken. This should only be done in exceptional circumstances and in the presence of a handling manager.
6. Never drive too fast or brake abruptly when carrying a load.



Bright Forklift

BC3-6560

Handling (cont.)

7. Check the load, particularly when turning corners and if it is very bulky.
8. Secure unstable loads.
9. Handle loads with caution at low speed, and without sudden jerks when moving them at significant heights and mast extension.
10. Do not change direction sharply and at high speed.
11. Apply the parking brake when lifting or depositing a difficult load or when on an incline.
12. Do not stop the forklift with the load in an elevated position.
13. Do not leave a laden forklift with the parking brake applied on an incline, which exceeds 15%.
14. High winds jeopardize the stability of the forklift.

WARNING

In the event of the forklift overturning, do not try to leave the cabin during the incident. YOUR BEST PROTECTION IS TO STAY FASTENED IN THE CABIN.

Visibility

If the visibility in forward motion is not sufficient because of the bulkiness of the load, drive in reverse motion. Ensure you have good visibility.

Check the placement area

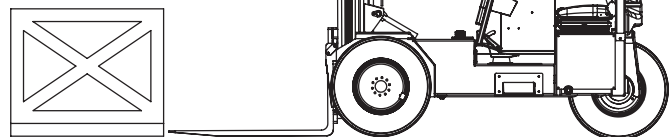
Before lifting or placing a load, check the area to be sure it will support the forklift and load? Insure the terrain will properly support the forklift's stabilizers. (use suitable wood or metal to properly support the stabilizers on soft terrain). The stabilizers must be fully lowered when lifting or placing a load.

WARNING

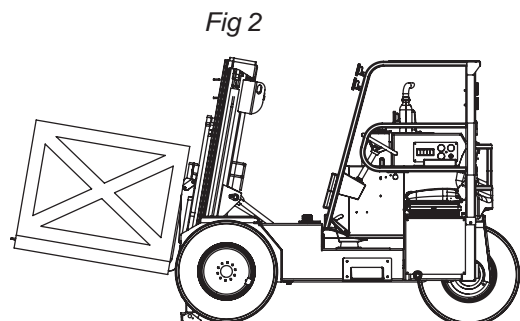
The stabilizers must be fully lowered when lifting or placing a load

Lifting a load from ground level

1. Approach the load slowly, with mast fully extended, aligning the forklift and forks with the load. Stop the forklift before engaging the load. Using the control levers, align the forks to the correct height and angle. *Fig. 1*



2. Move forward slowly, until the forks are fully engaged and the load is against the backrest. Lower the stabilizers. Raise the forks to lift the load. Tilt the mast back, placing the load against the backrest. Retract the mast fully. Raise or lower the forks to transport position, side shift the mast to center the load as needed. Raise the stabilizers. *Fig. 2*





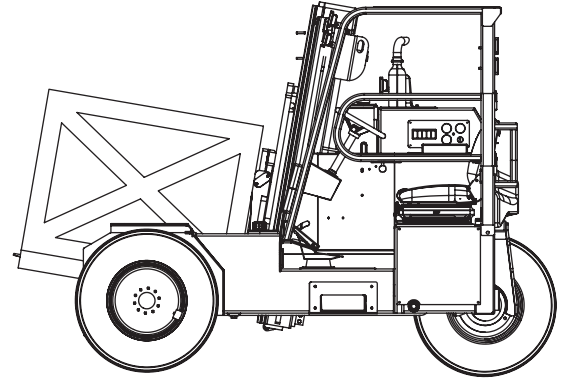
Bright Forklift

BC3-6560

Lifting a load from ground level (cont.)

3. Check traffic, drive or back away slowly; watch your direction of travel and the stability of the load. Travel with caution at all times. *Fig 3.*

Fig 3



Placing the load on ground level

1. Approach the receiving area slowly; stop the forklift to raise or lower or side shift the load as needed. When the forklift is properly aligned lower the stabilizers. Fully extend the mast forward. Lower the forks and tilt the mast forward to place the load.
2. Raise the stabilizers and prepare to back away. Before backing, insure the forks have properly disengaged the load, and that the load is stable. Check traffic and back away cautiously, assuring the forks remain clear of the load upon exit. When the forks have cleared the load; stop the forklift, raise/lower the forks and side shift the mast to center. Check traffic; proceed with caution at all times.

WARNING

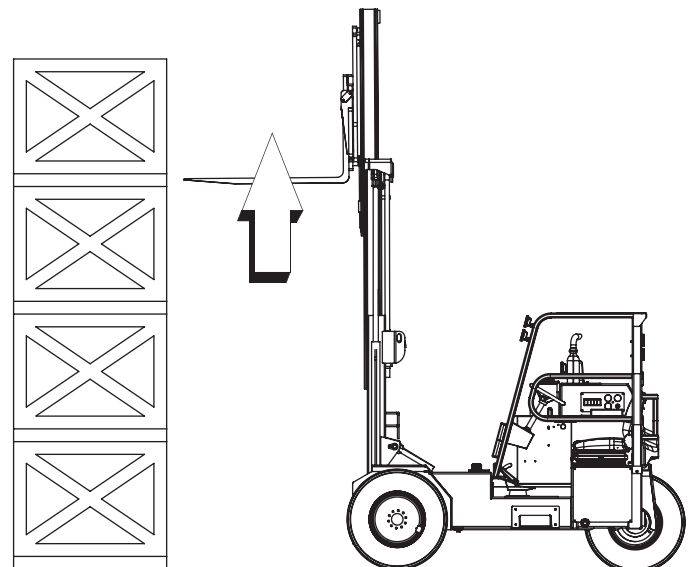
Never lift a load from a scaffold or deposit a load on one. Never side shift an elevated load. Never travel with an elevated load

Lifting an elevated load

An elevated load requires special handling, be extra cautious. Before unloading a truck or trailer, make sure its wheels have been chocked to prevent movement during operations.

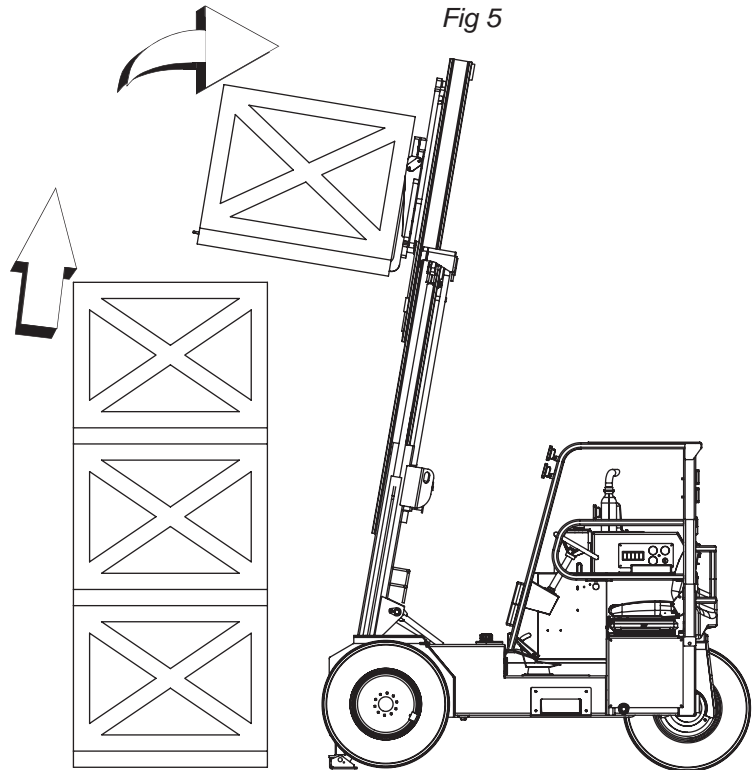
Fig 4

1. Approach the loading area slowly with forks lowered, aligning the forklift with the load. Stop the forklift; with the mast fully extended raise the forks to the height of the load. Using the control levers, align the forks to the correct height and angle. *Fig 4.*

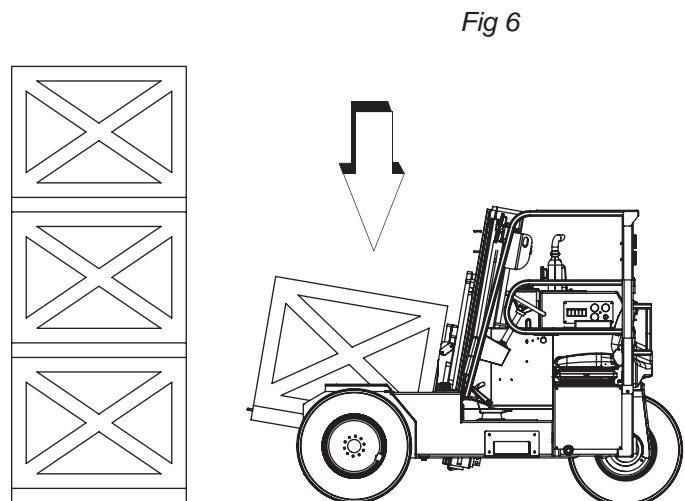


Lifting an elevated load (cont.)

2. Move forward slowly, making adjustment as needed, until the forks are fully engaged and the load is against the backrest. Apply the park brake lower the stabilizers. Raise the forks just enough to lift the load. Tilt the mast back slightly with the heaviest part of the load against the backrest. *Fig 5.*



3. Retract the mast fully. Lower the load to transport position. Side shift the mast to center the load as needed. Raise the stabilizers.
4. Check traffic, release the park brake, place the forklift in reverse and cautiously back the forklift. Watch your direction of travel and the stability of your load. *Fig 6.*





Bright Forklift

BC3-6560

Placing an elevated load

An elevated load requires special handling, be extra cautious. Before loading a truck or trailer, make sure its wheels have been chocked to prevent movement during operations.

1. Approach the loading area slowly, aligning the forklift and the load. When the load is properly aligned set the park brake and lower the stabilizers. *Fig 7.*

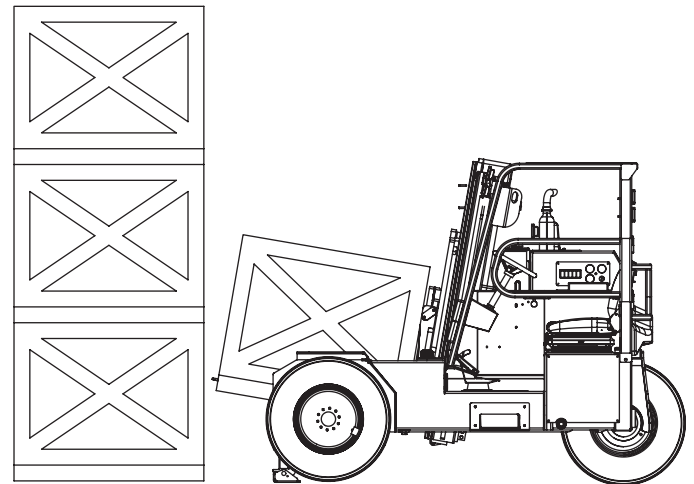


Fig 7

2. Raise the load high enough to clear the stack or platform. Align the forks to the correct angle and height for load placement. Extend the mast forward slowly making adjustments as needed, until the load is properly aligned. Lower the load into a stable position. *Fig 8.*

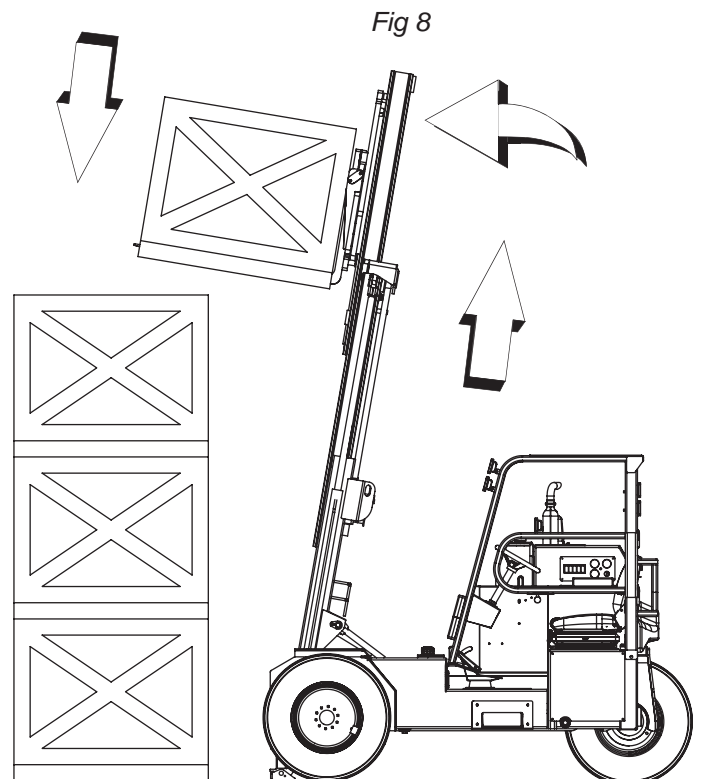


Fig 8

3. Raise the stabilizers slowly. Make required adjustments to the forks to properly clear the load. Check traffic release the park brake, place the forklift into reverse, and back out slowly.
4. After clearing the load, lower the forks and side shift the mast to center as needed.
5. Check traffic; back away slowly. Travel with caution at all times.



Bright Forklift

BC3-6560

Wide loads

A wide load is one that will not fit between the front wheels and forklift frame during transport.

1. Approach the load slowly, aligning the forklift and forks with the load's center of gravity. When the forks are fully engaged, set the park brake and lower the stabilizers.
2. Raise the forks to lift the load. Tilt the mast back, placing the load against the backrest. Raise the load enough to clear the tires and fully retract the mast. Raise or lower the forks keeping the load off the frame, side shift the mast to center the load as needed.
3. Raise the stabilizers. Check traffic; release the park brake, drive or back away slowly, watch your direction of travel and the stability of the load. Travel with caution.

Double fork a load

The forklift capacity is reduced when the forks do not fully engage a load. On occasion it may be necessary to move or reposition a load before the forks can be fully engaged; this is called "DOUBLE FORKING". With the forklift properly positioned and the stabilizers lowered, raise the load slightly; bring the load backward by retracting the mast. Lower the load into a stable position; extend the mast forward to fully engage the load. Never attempt to lift or "double fork" an unstable load.

Traction control operation (Diff. Lock Switch)

Under normal operating conditions the forklift utilizes independent all wheel drive. However, in some slippery conditions (such as mud, loose gravel or wet concrete incline) one or more wheels may slip or spin free, causing loss of traction. To maintain traction, the traction control can be engaged, causing all 3 wheels to turn at the same speed. Before engaging; while the forklift is stopped or in motion, after the rear steer wheel has been aligned with the front wheels. Press and hold the Diff. Lock control switch for continuous use, release the switch to disengage the traction control. Additional engine speed is usually required when using the traction control. Improper use of the traction control on non-slippery surfaces causes excessive tire wear and may over heat the power train.

WARNING

Ensure the forklift is traveling in a straight line before engaging the traction control. Do not engage the traction control while turning corners



Bright Forklift

BC3-6560

MOUNTING THE FORKLIFT

To the back of a Truck or Trailer

NOTICE

The mounting kit for the forklift must be supplied or approved by Bright Coop Inc.

WARNING

When loading the forklift onto or off the back of a truck or a flatbed trailer. Always operate the control levers slowly and carefully. Abrupt maneuvers can harm the operator and damage the forklift. **ALWAYS WEAR YOUR SEATBELT DURING FORKLIFT OPERATION**

1. Set the parking brake on the truck and / or trailer and chock the tires.
2. Approach the truck or trailer with the forklift mast extended forward.
3. Raise and align the forklift's forks with the truck or trailer's fork support.
4. Move the forklift forward fully inserting the forks.
5. Raise the rear tire by tilting the mast back.
6. Raise the forklift by lowering the forks. *Fig 9.*
7. Retract the mast placing the tires over the supports.
8. Raise the mast, to lower the tires on the supports. *Fig 10.*
9. Turn the engine off and remove the key.
10. Attach the securing chains to the truck or trailer.
11. Tilt the mast forward to release the hydraulic pressure, allowing the forklift to be supported by the securing chains. Insure both securing chains are tight and properly support the forklift.
12. Connect the trailer lighting cable into the receptacle provided.

Fig 9

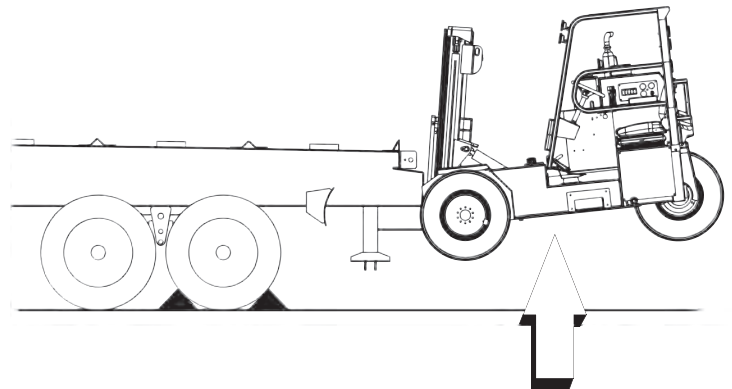
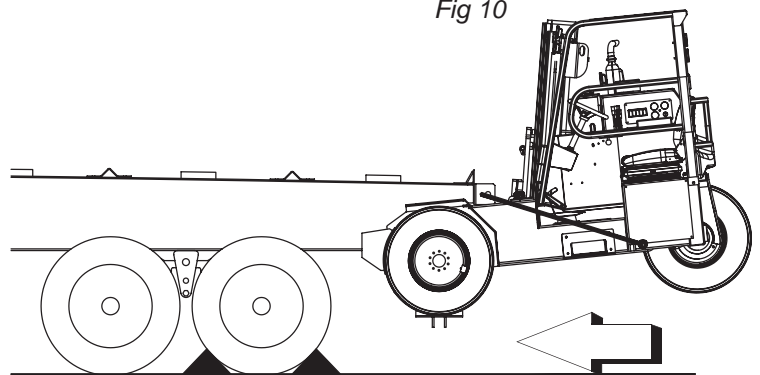


Fig 10



WARNING

The forklift must be supported by the securing chains and, **NOT** by the forks during transport

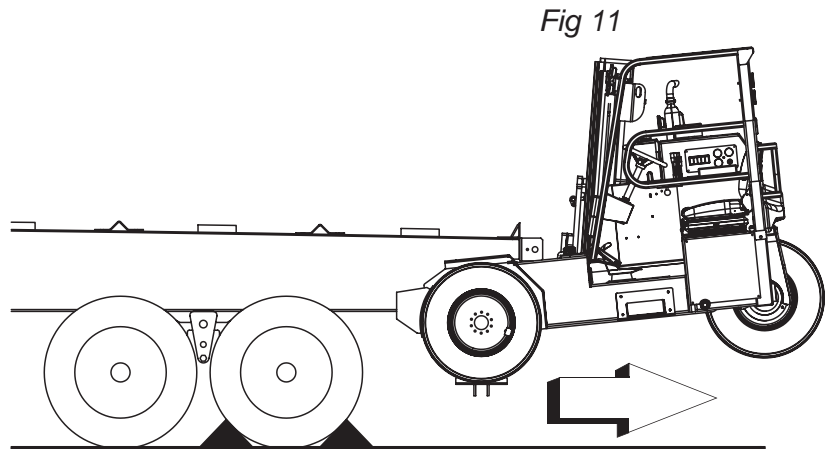
UNLOADING THE FORKLIFT

From the back of a Truck or Trailer

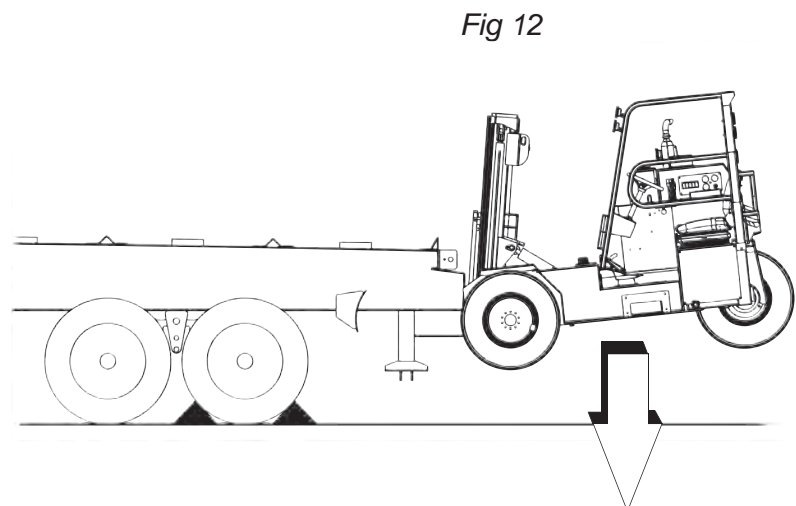
WARNING

When loading the forklift onto or off the back of a truck or a flatbed trailer Always operate the control levers slowly and carefully. Abrupt maneuvers can harm the operator and damage the forklift. **ALWAYS WEAR YOUR SEATBELT DURING FORKLIFT OPERATION**

1. Set the parking brake on the trailer and chock the tires.
2. Disconnect the trailers lighting cable.
3. Start the forklifts engine, lower and tilt the mast to place slack in the transport chains. Insure the steer tire is turned in the proper direction.
4. Turn the engine off and remove the transport chains. *Fig 11.*



5. Start the engine and extend the mast until the lift truck's front tires clear the wheel supports. *Fig 12.*
6. Lower the lift truck to the ground by raising the forks.
7. Tilt the mast forward to lower the steer wheel.
8. Back slowly, adjusting the forks as needed to clear the forks support.





Bright Forklift

BC3-6560

MAINTENANCE INSTRUCTIONS FOR THE BRIGHT'S FORKLIFT

General maintenance

1. Read the operator's manual carefully and ensure you understand it.
2. Stop the engine, when an intervention is necessary.
3. Wear clothes suitable for the maintenance of the forklift; avoid wearing jewelry and loose clothes. Tie and protect your hair, if necessary.
4. Ensure the area is sufficiently ventilated if you need to run the forklift for test.
5. Carry out all repairs immediately, even if the repairs concerned are minor.
6. Repair all leaks immediately even if the leaks concerned are minor.
7. Do not attempt to loosen unions, hoses or any hydraulic component with the circuit under pressure.

WARNING

The handling and removal of the counterbalance valves which are fitted to the lift cylinders of your forklift can be dangerous. A counterbalance valve must only be removed when the lift cylinders concerned are at rest and the hydraulic circuit is depressurized. Authorized staff can only carry out the operation

8. Do not smoke or approach the forklift with a flame, when the fuel tank is open or is being filled.
9. Take care not to burn yourself from the exhaust, radiator, engine, etc.
10. Turn the main switch off.
11. Do not drop metallic items on the battery.
12. When carrying out electric welding work on the forklift, disconnect the battery, then connect the negative cable from the equipment directly to the part being welded; so as to avoid high-tension current passing through the bearings.

Maintenance

1. The maintenance and the keeping in compliance of the forklift are compulsory.
2. Carry out daily maintenance.
3. Do not run the engine without air filter or with oil, water, or fuel leaks.
4. Change the filter cartridges: air, fuel, oil and hydraulic as required.

Levels

1. Use the recommended lubricants.
2. Do not fill the fuel tank when engine is running.
3. Only fill up the fuel tank in areas specified for this purpose.
4. Do not fill the fuel tank to the maximum level.

Washing

1. Clean the forklift or at least the concerned area before any intervention.
2. During washing avoid the articulations electrical components and connections.
3. Clean the forklift of any fuel, oil, or excess grease.
4. Protect all components susceptible to be damaged from water steam or cleaning agents.

Note: make sure that the disposal of process materials and of spare parts is carried out in total safety and in an ecological way.



Bright Forklift

BC3-6560

SERVICING SCHEDULE

Every day or every 10 hours

1. Check the engine oil level.
2. Check the radiator fluid level.
3. Check the fuel level.
4. Check Hydraulic oil level.
5. Check the tire pressure and lug nut torque.
6. Check the mast chains tension.
7. Clean the air filter outer cartridge.
8. Clean the radiator, oil cooler, and screens.

IMPORTANT

After the first 50 hours

1. Change the engine oil.
2. Change the engine oil filter.
3. Change the fuel filter cartridge.
4. Change the hydraulic pressure & return filters.

Every 50 hours service

1. Check the battery.
2. Grease fitting on the rear wheel pivot, steering cylinder, rotator pivot, side shift bushings, side shift cylinder and stabilizers.
3. Grease the rotating carriage sliding pads and the channels for the horizontal carriage.
4. Drain water / fuel separator.
5. Check fuel hoses and clamp bands.

Every 200 hours

1. Change the engine oil and oil filter.
2. Check the engine oil separator element and change if necessary.
3. Change the Outer air filter element & inspect the inner air filter, replace if dirty.

WARNING

Never clean the inner filter.

4. Check and adjust the alternator belt tension.
5. Inspect the hydraulic tank breather cap.
6. Check air intake line.
7. Check radiator hoses.

Every 400 hours (Or once a year if the forklift has not reached 400 hours of service)

1. Change the fuel filter and water/fuel separator cartridges.
2. Change pressure & return Hydraulic filters
3. Check the forks for wear.



Bright Forklift

BC3-6560

Every 800 hours

1. Change the hydraulic oil.
2. Replace the hydraulic tank breather cap.
3. Change the radiator fluid.
4. Drain and clean the fuel tank.
5. Clean and lubricate the pivot wheel housing.
6. Change the Inner air filter element.
7. Check the wear on the mast carriage side thrust pads and adjust if necessary.
8. Check the wear on the rotator thrust pads and adjust if necessary.
9. Check the wear on the horizontal carriage thrust pads and adjust if necessary.
10. Check the wear on the mast rollers.
11. Check the engine mounts.
12. Check the engine valve clearance.
13. Check the carriages.
14. Check the condition of the wheels and tires.
15. Check the hydraulic movement speeds.
16. Check the carriage attachments.
17. Replace the fan belt.

Every 1500 hours

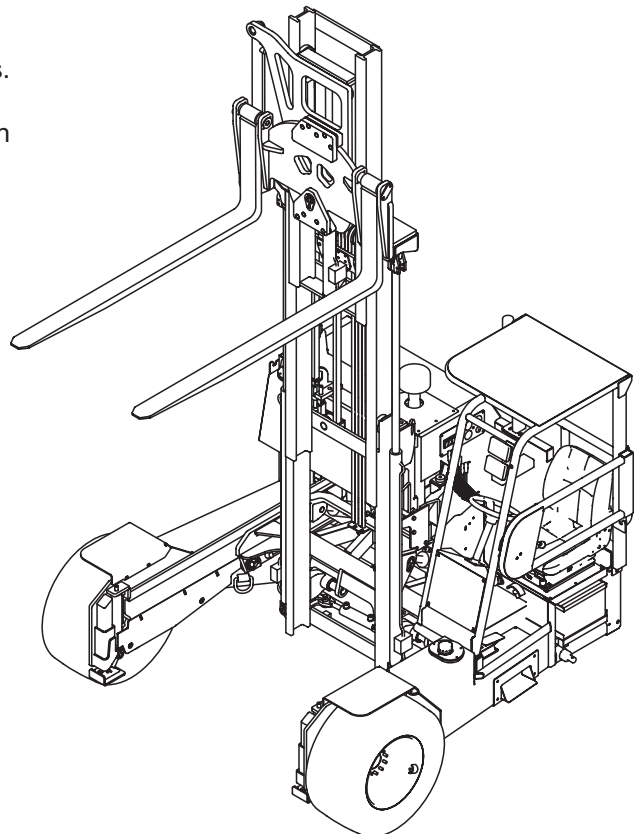
1. Check the engine EGR cooler.
2. Check the engine PCV valve.

Every 2400 hours

1. Check the hydraulic circuit pressures and discharge rates.
2. Check the hydrostatic transmission circuit pressures.
3. Insure the transmission cut-off / Parking brake valve is in good working order.
4. Check the steering system.
5. Clean the hydraulic oil tank.
6. Check the engine fuel injectors.
7. Check and clean the radiator.
8. Check the water pump and thermostat.
9. Check the mast and carriage assemblies.
10. Check engine turbo charger.

Every 4800 hours

1. Check the rear wheel motor pivot.
2. Check the steering pins and bushings.
3. Check the alternator and the starter motor.





Bright Forklift

BC3-6560

FUEL AND LUBRICANTS

Fuel

The quality of fuel is an important factor in obtaining dependable performance. Satisfactory engine suitable fuels must be clean, completely distilled, well refined, and non-corrosive to fuel system parts. Be sure to use fuel of known quality.

Diesel Fuel Specifications

Use grade No. 2-0 fuel, as defined by ASTM D 975 for diesel fuels. The grade No. 2-0 fuel is heavier and produces more work per gallon. Use fuel having less than 0.5% sulfur, preferably less than 0.05% For maximum filter life, sediment and water should not exceed 0.10 percent.

Storing Fuel

The importance of proper fuel storage cannot be stressed too highly. To keep the fuel system in its most efficient condition, keep all dirt and other foreign matter out of the fuel. Avoid storing fuel for a long period of time Fill the tank at the end of each day's operation to prevent moisture from collecting and freezing in the fuel system.

Lubricants

Effective use of lubricating oils and greases is perhaps the most important step towards low upkeep cost, long forklift life, and satisfactory service. Use only lubricants specified in this section; apply them at intervals and according to the instructions in the lubrication and periodic service section.

Mixing of Lubricants

In general avoid mixing different brands or type of oil or grease. Oil and grease manufacturers blend additives in their oils to meet certain specifications and performance requirements. Mixing different oils can interfere with the proper functioning of these additives and degrade lubricant performance.



Bright Forklift

BC3-6560

Where to Check Fluid levels

Hydraulic oil level

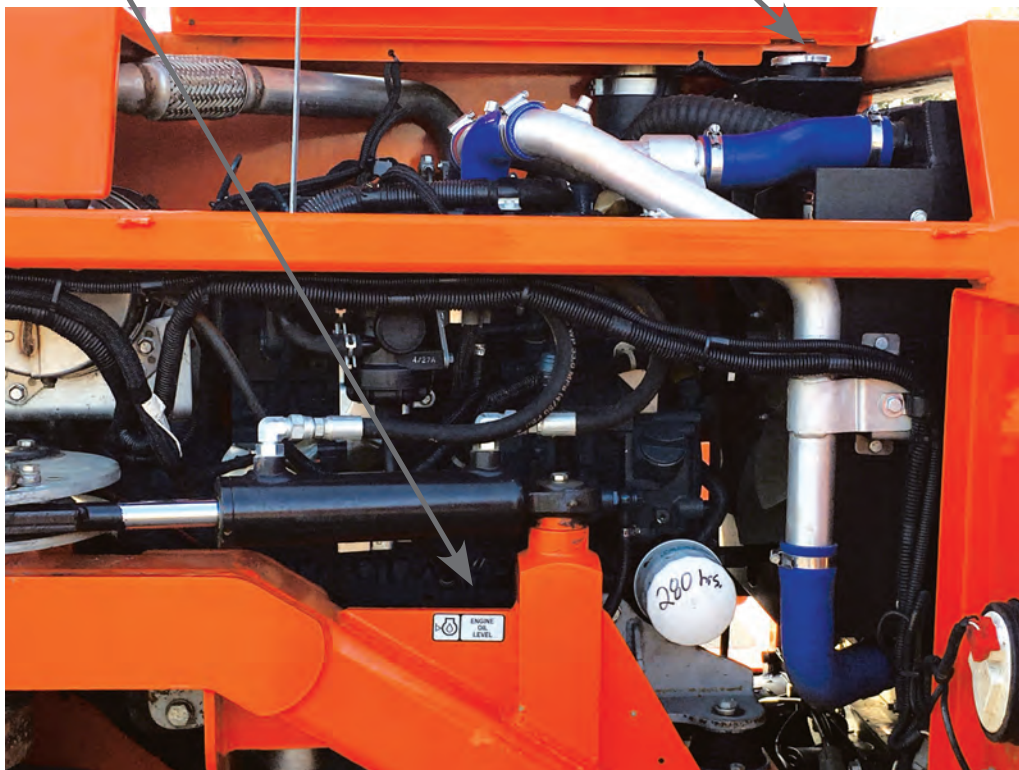


Diesel fuel level



Check oil level

Check coolant level





Bright Forklift

BC3-6560

CAPACITIES

<i>ITEM</i>	<i>CAPACITY</i>	<i>SUGGESTED</i>
Engine	2.51 gallons	CJ-4
Hydraulic oil Tank	22 gallons	ISO-46 Hydraulic fluid
General greasing	As needed	Semi-Synthetic lubricant with Molybdenum (5%)
All thrust pads	As needed	Semi-Synthetic lubricant with Molybdenum (5%)
Steering king pin	As needed	Semi-Synthetic lubricant with Molybdenum (5%)
Cooling circuit	2.5 gallons (approx.)	Water and anti-freeze*
Mast chains	As needed	30 Wt. non detergent motor oil
Fuel tank	25 gallons	Diesel No. 2 (ultra low sulfur)

* Water and radiator cleaner can be used in the summer.

BRIGHT PART NUMBERS FOR FILTERS



097-20971
Engine Fuel
Water Separator



097-20965
Outer Air
Filter Element



097-20966
Inner Air
Filter Element



230-00031-1
Small Hydraulic
Oil Filter



097-01166
Oil Separator
Filter



097-20287
Hydraulic
Pressure
Return
Oil Filter



230-00060
Hydraulic
Return
Oil Filter



097-20970
Kubota Engine
Fuel Filter



097-00131
Kubota Engine
Oil Filter



097-20736
In-Line
Fuel Filter



Bright Forklift

BC3-6560



Bright Coop Inc.

803 W. Seale St. • Nacogdoches, TX 75964

Phone: (936) 564-8378 • Fax: (936) 564-3281

Email: Info@brightcoop.com

BRIGHT FORKLIFT

WARRANTY AND LIMITATIONS OF LIABILITY

COVERAGE PROVIDED

Bright Coop, Inc. (BCI) warrants every part of the forklift manufactured by BCI to be free under normal use and service from defects in material and workmanship. This warranty extends to the original purchaser only and shall continue for a period of 1 year (or 2000 hours) whichever occurs first on all components from the date of sale of the original purchaser or date of original use, whichever is earlier. In addition Kubota warrants it's engine for a period of 2 years/2000 hours whichever occurs first. Any such parts proving to be defective within the warranty period may be, at the option of BCI, either repaired or replaced, provided that such defective parts are returned freight prepaid to the BCI factory in Nacogdoches, Texas, and provided further that written notice of such defective parts shall be given to BCI at the address shown above within 10 days of discovery of such defects.

The obligation of BCI to the purchaser under this warranty is limited to the repair or replacement of defective parts, which will cover charges for both parts and labor, using BCI service parts. Repair or replacement in accordance with this warranty shall constitute fulfillment of all liabilities of BCI.

Repairs or replacements will be performed by a qualified BCI technician or may be repaired or replaced by the original purchaser's mechanic as long as the work or replacement is done in accordance with BCI recommendations. If the repair(s) or replacement(s) are done by the original purchaser's mechanic, BCI will reimburse the original purchaser for a reasonable amount of labor involved at the rate of \$30.00 U.S. currency per hour if the original purchaser or authorized employee of the original purchaser mails or faxes a copy of this form which includes the date of original sale, the serial and model number of the unit to be repaired, a description of failure, causal part, the nature of the defect and obtain a Repair Authorization from BCI.

ITEMS NOT COVERED BY THIS WARRANTY

1. Parts not manufactured by BCI are not covered by this warranty and any warranty on such parts is limited to that extended by the original equipment manufacturer of such parts.
2. BCI makes no warranty whatsoever with respect to tires, tubes and batteries.
3. This warranty shall not apply:
 - a. If the forklift has been subject to misapplication, abuse, misuse, negligence, fire or other accident;
 - b. If parts not made or supplied by BCI have been used in connection with the forklift, if in the sole judgment of BCI such use affects its performance or reliability;
 - c. If the forklift has been altered or repaired in a manner which, in the sole judgment of BCI, affects its performance or reliability;
 - d. To incidental charges such as wrecker service, travel time, delivery charges, hydraulic oil, lubricants, fuel or anti-freeze;
 - e. To normal maintenance services (such as tune-ups, fuel system cleaning), to normal replacement of service items (such as filters), or to normal deterioration due to use or exposure (such as belts and exterior finish);
 - f. Unless all safety devices and guards provided with the equipment are properly installed and used in this operation and unless there is compliance with all operating procedures and maintenance instructions as set forth in the instructional and operating manuals furnished by BCI;
 - g. To any forklift if its serial number has been altered, defaced or removed, or if payment for the forklift is in default.



Bright Forklift

BC3-6560

DISCLAIMER OF IMPLIED WARRANTIES AND CONSEQUENTIAL DAMAGES

THERE ARE NO EXPRESSED WARRANTIES COVERING THE FORKLIFT MANUFACTURED BY BCI OTHER THAN AS SET FORTH ABOVE, AND THE WRITTEN WARRANTY IS IN LIEU OF ANY IMPLIED WARRANTIES, INCLUDING ANY IMPLIED WARRANT OF MERCHANTABILITY OR FITNESS FOR A PARTICULAR PURPOSE. In no event shall BCI be liable for special, incidental or consequential damages or claims therefore, including (but not limited to) damages or claims due to lost profits, lost time, transportation, personal injury, property damage or other expenses whether or not resulting directly or indirectly from claimed defects covered by the above written warranty. No person is authorized to make on behalf of BCI any representations beyond those expressed herein.

RIGHT TO MAKE DESIGN CHANGES

Bright Coop, Inc. reserves the right to make changes in the design and other changes in its products at any time and from time to time without notice and without incurring any obligation with respect to any product previously ordered from it, sold or shipped by it.

GENERAL PROVISIONS

All notices, demands, claims or other communications with respect to this written warranty must be addressed to Bright Coop, Inc., 803 W. Seale, Nacogdoches, Texas, 75964.

This warranty shall be interpreted and governed by the laws of the State of Texas.

I acknowledge that I have read and I accept this warranty and limitation of liability and that I have been instructed in safe operation of the Bright Forklift and furnished with an operating manual related to the Bright Forklift I have purchased.

Machine Model No: _____

Machine S/N: _____

Date of Sale: _____

Purchaser's Name: _____

Purchaser's Business: _____

Purchaser's Business Address: _____

City _____ State _____ Zip Code _____

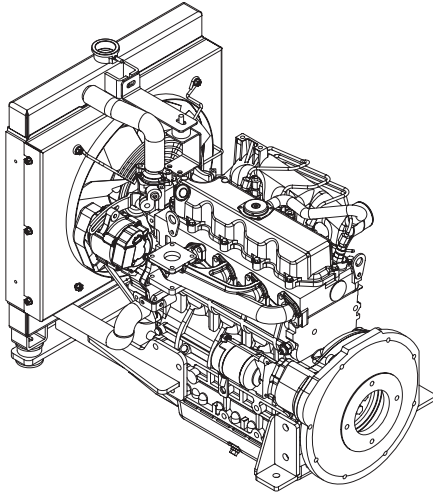
Purchaser or Authorized Agent's Signature of acceptance

DESCRIPTION OF FAILURE, CAUSAL PART, AND NATURE OF REPAIR OR REPLACEMENT SUMMARY

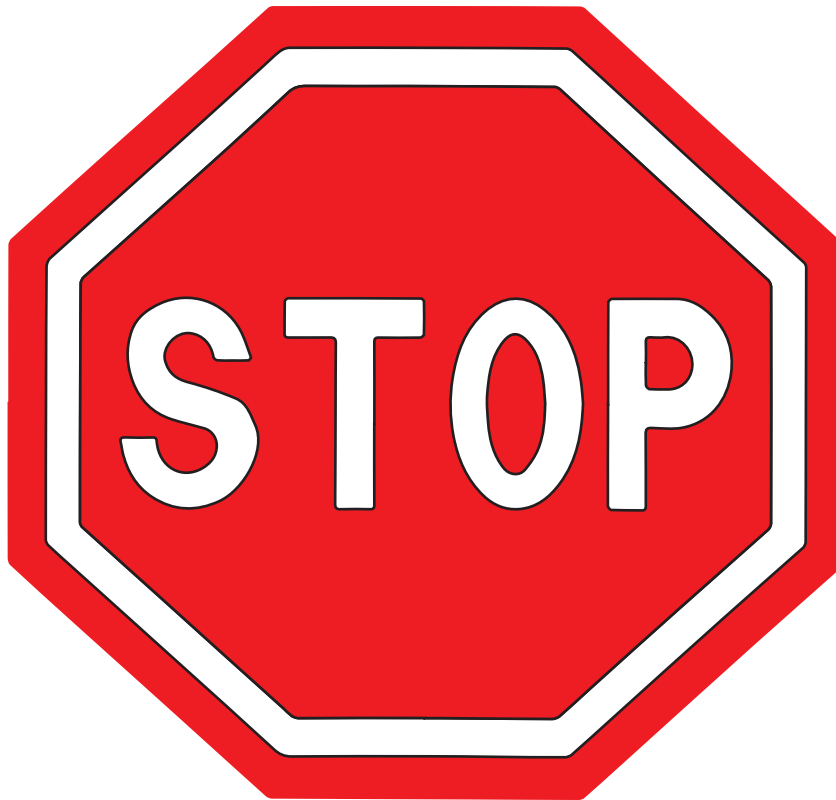


Bright Forklift

BC3-6560



KUBOTA DIESEL ENGINE WARRANTY INFORMATION



IMPORTANT READ THIS PAGE & page 42,43

Your KUBOTA Engine is Warranted directly by KUBOTA ENGINE AMERICA CORPORATION. In order to obtain Warranty repairs, you must deliver the product, together with proof of purchase, to an Authorized Kubota Industrial Engine Distributor or Dealer at your expense.

For all operation, service and maintenance information about the Kubota Engine, please refer to Kubota Diesel Engine Operator's Manual.



KUBOTA ENGINE AMERICA CORPORATION LIMITED WARRANTY ON INDUSTRIAL ENGINES AND REPLACEMENT PARTS EFFECTIVE JANUARY 1, 2009

OUR WARRANTY TO YOU

We warrant to you, the original purchaser, that all parts (except those referred to below) of your new Kubota industrial engine and replacement parts purchased from an Authorized Kubota Industrial Engine Distributor or OEM Distributor in the United States and Canada will be free from defects in materials or workmanship during the following periods.

1. Industrial Engines for 2 years or 2,000 hours, whichever occurs first.
2. Industrial Engines Major Component Warranty (MCW), 3 years or 3000 hours, whichever occurs first, parts only.

MCW covers cylinder block, cylinder head, crankshaft, camshaft, gears, pistons, rods, flywheel, flywheel housing, oil pump, pulleys, governor, intake manifold, oil pan, ignition distributor.

MCW does not cover rings, bearings, water pump, any electrical component, valve train components, accessory parts, seals, gaskets, carburetors, exhaust manifold, hoses, all fuel system components, muffler, any filters, radiator, fan, belts, thermostat, spark plugs, fuel transfer pumps.

3. Replacement parts for 1 year.

WHAT WE WILL DO

We will, at our option, repair or replace any part covered by this warranty which becomes defective, malfunctions or otherwise fails to conform with this warranty under normal use and service during the term of the warranty at no charge for parts or labor. (Parts only for MCW)

WHAT YOU MUST DO TO OBTAIN WARRANTY SERVICE

In order to obtain warranty repairs, you must deliver the product, together with proof of purchase, to an Authorized Kubota Industrial Engine Distributor or Dealer at your expense. The names and addresses of such Authorized Kubota Industrial Engine Distributors can be found on the internet at www.kubotaengine.com, by calling 1-800-532-9808 or by contacting:

Kubota Engine America Corporation
505 Schelster Road
Lincolnshire, IL 60069

WHAT THE WARRANTY DOES NOT COVER

This warranty does not cover:

1. Damage, malfunctions or failures resulting from accidents, abuse, misuse, modifications, alteration, improper servicing, or lack of performance of required maintenance service.
2. Normal maintenance services or replacement of maintenance items such as light bulbs, preheater plugs, indicator and resistant coils, filter elements, lubricants, oils, spark plugs, coolant, or belts.
3. Installation of replacement parts, unless originally installed by an Authorized Kubota Industrial Engine Distributor or Dealer.
4. Non-genuine Kubota parts.
5. Any engines damaged by use of ether or any starting aid, or greater than a 50/50% solution of antifreeze and water.
6. Injection nozzle wear or any engine damage caused by injection nozzle wear or sticking.
7. Damage caused by water entering the engine due to any cause.
8. Used Products.
9. Any damage caused by overheating that is not a direct result of a defect in materials or workmanship.
10. Any Engine not application reviewed.

APPLICATION REVIEW PROCESS: The Kubota Engine America (KEA) application review process is intended to assist the OEM with engine installation to optimize functionality/performance within the OEM's equipment in order to maintain durability, customer satisfaction, and reduce warranty failures and expenses. Kubota cannot anticipate all potential failures and issues that may occur with the engine or product in the field during an application review. Therefore, machine durability testing by the OEM either in a test facility and/or in the field is critical to further reduce the potential for field failures.

The amount of time spent by KEA on an application review is significantly less than the amount of time spent by the OEM's design engineers on the application. Because of this, the KEA application review is intended to identify issues that are within the scope of the application review testing performed and in some cases recommend possible solutions. The KEA application review should never take the place of proper design and testing of the finished product by the OEM.

The KEA application review does not in any way express or imply any additional warranty coverage other than what is stated in Kubota's Limited Warranty Agreement. Kubota and its subsidiary companies are not responsible for (including, but not limited to): failures resulting from any components that are not manufactured by Kubota, misrepresented or incorrect information provided from an OEM, any changes made without KEA's knowledge, any decision by the OEM not to follow KEA's recommendations, or any application related problems or deficiencies that may arise that were not found by KEA's limited application review or the OEM's durability testing.

THIS IS THE ONLY EXPRESS WARRANTY ON OUR PRODUCTS

We neither assume nor authorize anyone to assume for us any other express warranty. The Kubota Distributor/ Dealer has no authority to make any representation or promise on behalf of Kubota Engine America Corporation or to modify the terms or limitations of this warranty in any way.

LIMITATIONS ON OUR RESPONSIBILITY WITH RESPECT TO PRODUCTS PURCHASED AND USED FOR PERSONAL, FAMILY OR HOUSEHOLD USE.

Our responsibility is to repair or replace defective parts as stated above. We will not be responsible for any other expenses, losses or inconvenience which you may sustain as a result of the purchase, use, malfunction or defective condition of our products. **ANY IMPLIED WARRANTIES INCLUDING WARRANTIES OF MERCHANTABILITY AND FITNESS FOR A PARTICULAR PURPOSE SHALL BE LIMITED IN DURATION TO THE PERIOD SET FORTH ABOVE AND IN NO EVENT WILL WE BE LIABLE FOR ANY SPECIAL, INCIDENTAL OR CONSEQUENTIAL DAMAGES WHATSOEVER.** Some states do not allow limitations on how long an implied warranty lasts or the exclusion or limitation of incidental or consequential damages, so the above limitations or exclusions may not apply to you. This warranty gives you specific legal rights, and you may have other rights which vary from state to state.

LIMITATIONS ON OUR RESPONSIBILITY WITH RESPECT TO PRODUCTS USED FOR RENTAL OR FOR COMMERCIAL, INDUSTRIAL OR AGRICULTURAL PURPOSES.

This warranty is in lieu of all other warranties, express or implied, and of any other obligations or liability on our part. **IMPLIED WARRANTIES OF MERCHANTABILITY AND FITNESS FOR A PARTICULAR PURPOSE ARE EXCLUDED.** Our responsibility for any and all losses and damages resulting from any cause whatsoever, including our negligence, alleged damage or defective goods, whether such defects are discoverable or latent, shall be limited to the repair or replacement of defective parts as stated above. **IN NO EVENT WILL WE BE LIABLE FOR LOSS OF USE, LOSS OF PROFITS, LOSS OF OR DAMAGE TO OTHER PROPERTY, INCONVENIENCE, COMMERCIAL LOSS, OR OTHER SPECIAL, INCIDENTAL OR CONSEQUENTIAL DAMAGES WHATSOEVER.**



Bright Forklift

BC3-6560

ITEMS NOT COVERED BY WARRANTY

1. Products that have been subjected to alteration, modification, neglect, unauthorized repairs or any diesel or gasoline product not Application Reviewed in writing by KEA or Distributor selling the Engine.
2. Products no longer owned by the original purchasers.
3. Products suffering shipping or freight damage, normal wear, accident, improper maintenance, or improper protection in storage.
4. Rental costs, cost of transport of product to the nearest servicing Distributor or Dealer's place of business and all telephone and fax communications.
5. Repairs necessary to correct any failures due to improper pre-delivery service and inspection by the selling Distributor or Dealer.
6. Repairs made necessary due to additions or modifications not recommended by Kubota Engine America.
7. Pressure or steam cleaning of products, cleaning of fuel system, flushing of cooling system, or solvent chemicals used to clean out lubrication system while engine is running or intact.
8. During a Warrantable Repair, coolant, oil, oil filters, fuel filters, drive belts and similar consumable parts may be replaced. Replacement of these parts is the owners responsibility unless the part was damaged or not reusable as a direct result of the Warrantable failure.
9. Electrical parts such as light bulbs, spark plugs, glow plugs, indicators or resistance coils, or any parts damaged by welding or jump-starting.
10. Any repeat or shop come-back repairs resulting from poor service work or improper diagnosis and testing. Replacement of parts as a trail-and-error method of diagnosis will not be considered for Warranty processing.
11. Damage caused by contaminated oil incorrect oil change intervals, incorrect oil viscosity or type, bad fuel, the use of any starting aids, the use of greater than or less than 50%/50% antifreeze/water or rust corrosion or scale build-up of the engine, cooling system and fuel system.
12. The replacement of complete assembly, unless prior approval has been granted by KEA. The following must be disassembled, tested and repaired as necessary: Injection Pumps, Injectors, Starters, Alternators, Ignition Distributors, Turbo Systems and complete Engines.
13. Freight for replacement parts.
14. Replacement parts other than those sold by Kubota Engine America (KEA) or its authorized Servicing Distributor or Dealer.
15. Any normal replacement and or service of Injection Pumps, Injector, or Injector Tips, the checking and or replacement of part(s) that fail due to impurities in the Fuel System, routine Fuel System maintenance and Fuel Filter replacement.
16. Damaged cause by water entering the Engine due to any cause.
17. Natural calamity such as fire, flood, etc.
18. Adjustments of any type.
19. Any damage caused by failure to immediately correct a known or suspected Engine or KEA accessory problem.
20. Any damage caused by a failure of an non-KEA accessory assembly or part.
21. Any damage caused by overheating that is not a direct result of a defect in materials or workmanship.
22. Excessive Diagnostic and or Cleaning time will not be paid under Warranty.



Bright Forklift

BC3-6560

TROUBLESHOOTING





Bright Forklift

BC3-6560

ENGINE TROUBLESHOOTING

This following pages list difficulties that might possibly be encountered and their possible remedies. If, after properly performing the listed remedies, the difficulty still exists, see your dealer. He has been trained and possesses the latest technical literature and equipment to put your forklift back in operating condition.

ENGINE HARD TO START, WILL NOT START

Possible Cause	Possible Remedy
No fuel	Fill tank with proper fuel.
Fuel transfer pump primer lever left up.....	Move lever to lowest point of stroke.
Low battery output	Check electrolyte level and specific gravity of each cell. Recharge if necessary.
Excessive resistance in starting circuit-.....	Clean and tighten all connections on battery and starter.
Too-heavy viscosity crankcase oil	Drain and fill crankcase with oil of proper viscosity.
Improper fuel	Consult fuel specifications and use proper type of fuel for operating conditions.
Water, dirt, or air in fuel system	Drain, flush, fill, and bleed system.
Clogged fuel filter.....	Replace filter element and bleed system.
Circuit breaker for wiring open.....	Turn off lights and starter switches for one minute. (Circuit breaker will reset itself.).
Dirty or faulty injector nozzles.....	See your dealer.
Dirty or clogged fuel line filter	Drain tank and remove fuel shut-off valve and clean filter.

ENGINE KNOCKS

Possible Cause	Possible Remedy
Insufficient crankcase oil	Add proper oil.
Dirt picked up by air intake system.....	Check air cleaner for clogging
Injection pump out of time	Check timing, See dealer for service.
Stuck fuel injector nozzle.....	See your dealer.



Bright Forklift

BC3-6560

ENGINE RUNS IRREGULARLY OR STALLS FREQUENTLY

Possible Cause	Possible Remedy
Low coolant temperature.....	If water temperature gauge is not in normal range.
Clogged fuel filter.....	Replace filter element and bleed system.
Water, dirt, or air in fuel system	Drain, flush, and refill. Bleed system.
Dirty or faulty injector nozzles.....	See your dealer.

BELOW NORMAL ENGINE TEMPERATURE

Possible Cause	Possible Remedy
Defective thermostat.....	Replace with new thermostat.
Defective temperature gauge	Have serviceman replace gauge if defective.
.....	Check water with thermometer.

LACK OF ENGINE POWER

Possible Cause	Possible Remedy
Engine overload.....	Reduce load or shift to lower gear.
Too high viscosity oil in crankcase.....	Drain and fill crankcase with oil of proper viscosity.
Intake air restriction	Clean air cleaner.
Clogged fuel filter.....	Replace filter element and bleed system.
High altitude operation	Engines loose horsepower with increased altitude. Use proper type of fuel for high altitude.
Overheated engine	See "Engine overheats" below.
Improper valve clearance	See "Engine valve tappet adjustment".
Dirty or faulty injector nozzles.....	See your dealer.
Injection pump out of time	Check timing, See dealer for service.
Obstruction in fuel system	See "Fuel system".



Bright Forklift

BC3-6560

ENGINE OVERHEATS

Possible Cause	Possible Remedy
Low coolant level.....	Fill radiator with coolant to the proper level. Check hoses and radiator for leaks or loose connections.
Dirty radiator core or grille screen	Remove all foreign matter from exterior of radiator core and grille screen.
Loose or defective alternator belt	Adjust belt tension. Replace worn belt.
Cooling system limed up	Drain and flush cooling system. Check water with thermometer.
Defective temperature gauge	Have serviceman replace gauge if defective. (If overheating, an engine must use water. Check water level.)
Defective radiator pressure cap.....	Replace cap.

HIGH OIL CONSUMPTION

Possible Cause	Possible Remedy
Too low viscosity crankcase oil.....	Drain and fill crankcase with oil of proper viscosity.
Oil leaks.....	Check for leaks in lines and around gaskets and drain plugs.
Engine overheating.....	Reduce load or shift to lower gear.

LOW ENGINE OIL PRESSURE

Possible Cause	Possible Remedy
Low crankcase oil level.....	Check crankcase oil level on dipstick and add oil if needed.
Improper type of crankcase oil	Drain and fill crankcase with oil of proper viscosity.
Partially plugged oil filter.....	Check pressure with a master gauge. Replace filter.



Bright Forklift

BC3-6560

HIGH FUEL CONSUMPTION

Possible Cause	Possible Remedy
Improper type of fuel.....	Consult fuel specifications and use proper type of fuel for operating conditions.
Engine overload.....	Reduce load or shift to lower gear.
Clogged or dirty air cleaner	Clean air cleaner.
Dirty or faulty injector nozzles.....	See your dealer.
Engine out of time.....	Make sure injector pump is timed properly. See your dealer for this service.

DIESEL ENGINE EMITS BLACK OR GREY EXHAUST SMOKE

Possible Cause	Possible Remedy
Improper type of fuel.....	Consult fuel specifications and use proper type of fuel for operating conditions.
Engine overload.....	Reduce load or shift to lower gear.
Clogged or dirty air cleaner	Clean air cleaner.
Dirty or faulty injector nozzles.....	See your dealer.
Engine out of time.....	Make sure injector pump is timed proper. See your dealer for this service.
Defective muffler.....	Check muffler for possible damage, which might create back pressure.

DIESEL ENGINE EMITS WHITE SMOKE

Possible Cause	Possible Remedy
Dirty air cleaner	Clean air cleaner.
Improper type of fuel.....	Low octane fuel will cause misfiring. Use only fuel which has recommended octane number.
Cold engine	Warm up engine to normal operating temperature.
Defective thermostat.....	Remove and check thermostat.
Engine out of time.....	Make sure injector pump is timed proper. See your dealer for this service.



Bright Forklift

BC3-6560

BATTERY WILL NOT CHARGE

Possible Cause	Possible Remedy
Loose or corroded connections	Clean and tighten battery connections.
Sulfated or worn-out battery	Check specific gravity and electrolyte level of battery.
Loose or defective alternator belt	Adjust belt. Replace if worn.

STARTER INOPERATIVE

Possible Cause	Possible Remedy
Loose or corroded connections	Clean and tighten battery connections.
Low battery output	Check specific gravity and electrolyte level of battery.

STARTER CRANKS SLOWLY

Possible Cause	Possible Remedy
Loose or corroded connections	Clean and tighten battery connections.
Low battery output	Check specific gravity and electrolyte level of battery.
Too low viscosity crankcase oil	Drain and fill crankcase with oil of proper viscosity.

ENTIRE HYDRAULIC SYSTEM FAILS TO FUNCTION

Possible Cause	Possible Remedy
Low oil supply	Fill system with proper oil to mark on sight gauge.
Main coupling is broken	Replace main coupling.

HYDRAULIC OIL OVERHEATS

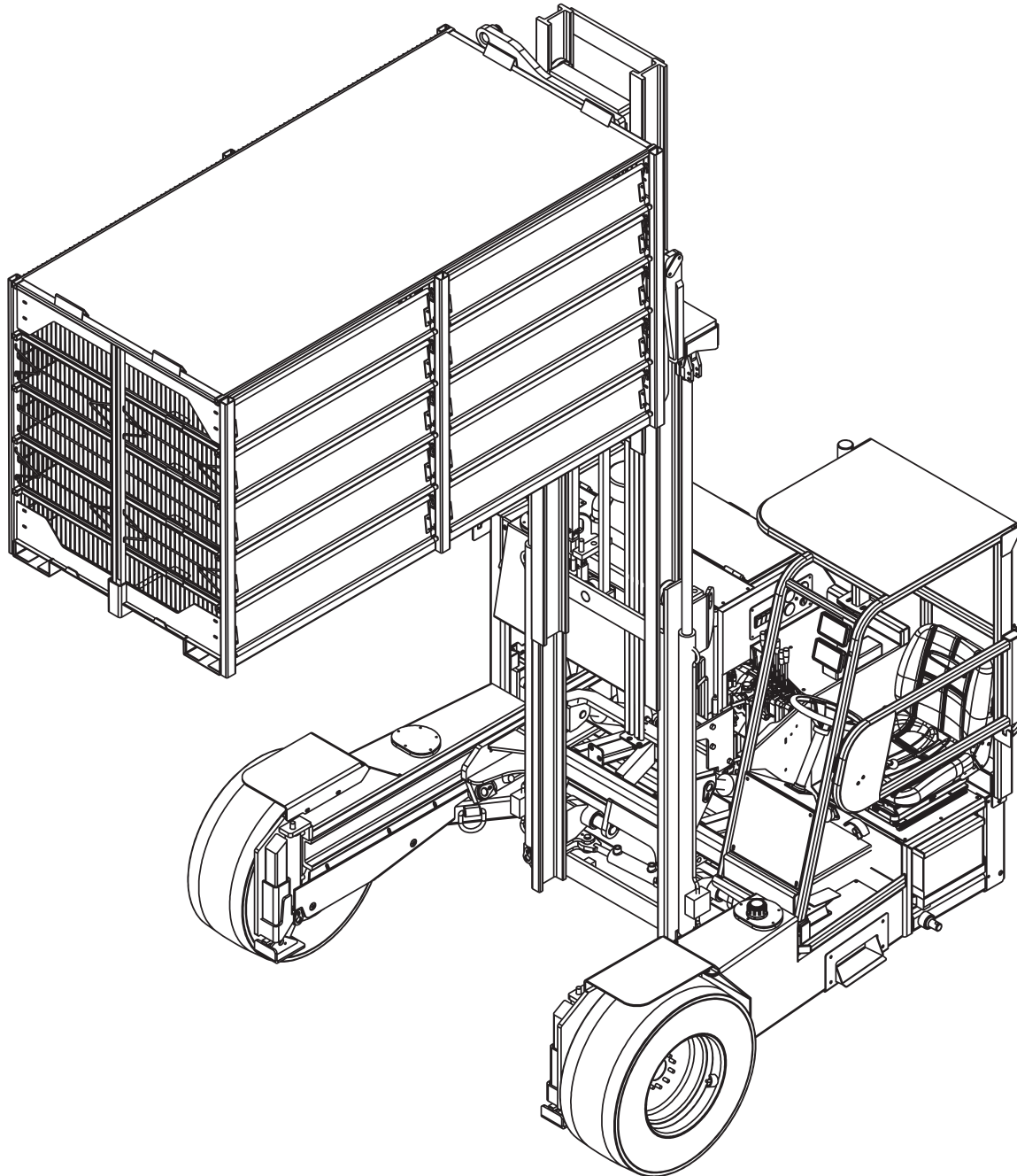
Possible Cause	Possible Remedy
Low oil supply	Fill system with proper oil to mark on dipstick.
Oil cooler core clogged	Remove foreign matter from oil cooler and grille screens.



Bright Forklift

BC3-6560

MAST TROUBLESHOOTING GUIDE





Bright Forklift

BC3-6560

MAST TROUBLESHOOTING GUIDE

The Troubleshooting Guide found on the following pages addresses problems sometimes encountered during mast operations. It also lists the probable causes and recommended corrective actions to restore the mast to its proper operating condition. Before repairing a faulty mast, read all safety precautions!

WARNING

- 1. IF A MAST RAIL OR CARRIAGE BECOMES JAMMED OR HUNG-UP; REMOVE THE MAST FROM SERVICE, MAKING NECESSARY REPAIRS IMMEDIATELY!**
- 2. USE ONLY THE APPROPRIATE TOOLS AND APPROVED HOST/HARNESS DURING MAST REPAIR OR ADJUSTMENTS!**
- 3. NEVER PLACE ANY PART OF YOUR BODY INSIDE THE WORKING AREA OF A JAMMED MAST!**
- 4. DO NOT OPERATE THE MAST WITH A DAMAGED HYDRAULIC SYSTEM.**

MAST SAFETY PRECAUTIONS

IMPORTANT: BEFORE YOU OPERATE THE MAST MAKE SURE YOU HAVE READ AND FULLY UNDERSTAND THE MANUFACTURER'S MANUALS FOR YOUR FORKLIFT IF THE MANUALS ARE MISSING, GET A REPLACEMENT MANUAL FROM YOUR EMPLOYER, DEALER OR FORKLIFT MANUFACTURER. KEEP SAFETY MANUALS ON THE FORKLIFT AT ALL TIMES.

SAFETY IS YOUR RESPONSIBILITY!

- **ONLY YOU CAN PREVENT SERIOUS INJURY OR DEATH FROM UNSAFE PRACTICES! PRACTICE ALL USUAL AND CUSTOMARY SAFE WORKING PRECAUTIONS, INCLUDING THE FOLLOWING:**
 1. NEVER CARRY PASSENGERS ON THE MAST OR FORKS!
 2. Never use the mast or forks as battering rams.
 3. Make daily inspections of the mast's performance, components, hydraulics and hose connections.
 4. Avoid entanglement hazard, keep yourself and others away from the mast's moving parts.
 5. DO NOT climb on the mast.
 6. If the mast does not operate properly, have it inspected and repaired immediately.
 7. Do not operate the Mast without a legible load chart (do not over-load the mast).
 8. Replace forks (in pairs) that are cracked or damaged, NEVER use forks repaired by welding.
 9. Check that the forks are secure (unable to change position while carrying loads).
 10. Plan ahead, know how and where you will travel, turn and pickup, lift and place loads.
 11. Use a signal person when placing high loads.
 12. Operate the mast smoothly, (raising, lowering, and tilting of mast and forks), do not allow the lift cylinders to hit the end of their stroke abruptly.
 13. Lower the forks to the ground when the Forklift is not in use.



Bright Forklift

BC3-6560

PROBLEM:	PROBLEM CAUSE:	CORRECTIVE ACTIONS:
Forks fail to hold up or lowers too rapidly.	<ol style="list-style-type: none"> 1. Oil leaking past cylinder head. 2. Oil leaking past control valve. 	<ol style="list-style-type: none"> 1. See your dealer. 2. See your dealer.
Forks lift too slowly.	<ol style="list-style-type: none"> 1. Cold oil. 2. Viscosity of oil too high. 3. Insufficient engine speed. 4. Badly worn pump. 5. Leaking or broken lines from control valve to cylinders. 6. Dirty oil. 7. Oil leaking past cylinder piston seal. 8. Oil leaking past control valve. 	<ol style="list-style-type: none"> 1. Allow oil to warm up with slow engine speed. 2. Use oil of proper viscosity. 3. Open throttle. 4. Repair or replace pump. See your dealer. 5. Check for leaks. Tighten or replace lines. 6. Drain and refill with new oil. 7. See your dealer. 8. See your dealer.
Pump makes noise.	<ol style="list-style-type: none"> 1. Starvation. 	<ol style="list-style-type: none"> 1. Check for low oil supply.
Mast will not lift load or lift cylinder does not move.	<ol style="list-style-type: none"> 1. Mast overloaded. 2. Insufficient or no oil flow supplied to the cylinder. 3. Relief valve setting too low. 	<ol style="list-style-type: none"> 1. Reduce the load. 2. Check the truck's hydraulic system: low oil level, defective pump, damaged control valve or leaks in supply line. Make repairs as required. 3. Adjust relief valve, do not exceed recommended setting. <p>NOTE: Anytime oil is added to the hydraulic tank, check the lift cylinders for air, they may need to be bled.</p>



Bright Forklift

BC3-6560

PROBLEM:	PROBLEM CAUSE:	CORRECTIVE ACTIONS:
<p>Mast lifts load slowly or to partial height.</p>	<ol style="list-style-type: none"> 1. Low on oil. 2. Mast cylinder seal failure. 3. Relief valve setting too low. 4. Mast rollers shimmed too tight, rails are off center or not lubricated, defective rollers. 	<ol style="list-style-type: none"> 1. Check the truck's hydraulic system: low oil level, defective pump, damaged control valve or leaks in supply line. Make repairs as required. 2. Replace the seals. Failure caused by oil contamination requires the system be flushed, filters be replaced and fresh oil installed. 3. Adjust relief valve, do not exceed recommended setting. 4. Check rollers and rail alignment. Repair, adjust or lubricate as necessary.
<p>Mast jerks or has spongy movement.</p>	<ol style="list-style-type: none"> 1. Air in the hydraulic system. 2. Bent or damaged cylinder rod (piston). 3. Defective relief valve. 4. Rollers defective or shimmed too tight. 	<ol style="list-style-type: none"> 1. Check hydraulic oil level in the tank, check for vacuum leaks in the hydraulic system. Bleed the lift cylinders. 2. Repair or replace as necessary. 3. Remove and inspect the relief valve, repair or replace as necessary. If damaged by contaminated oil: flush the system, replace the oil filters and add fresh oil. 4. Re-shim or repair as needed.



Bright Forklift

BC3-6560

PROBLEM:	PROBLEM CAUSE:	CORRECTIVE ACTIONS:
Mast drifts down slowly on its own.	<ol style="list-style-type: none"> 1. Damaged or defective seals. 2. Counterbalance valve stuck open. 	<ol style="list-style-type: none"> 1. Replace the seals. Failure caused by oil contamination requires the system be flushed, filters be replaced and fresh oil installed. 2. See your Dealer.
Mast lowers too slowly, partially or not at all. Notice! See WARNING at the beginning of the Troubleshooting Guide.	<ol style="list-style-type: none"> 1. Damaged lift cylinder(s). 2. Rollers defective or shimmed too tight. 	<ol style="list-style-type: none"> 1. Inspect, repair or replace. 2. Re-shim or repair as needed.
Carriage drifts up when load is removed, then stops.	<ol style="list-style-type: none"> 1. Air in cylinder(s). 	<ol style="list-style-type: none"> 1. Bleed the Cylinder(s).
Cylinders leak oil.	<ol style="list-style-type: none"> 1. Faulty seals or "O" rings. 	<ol style="list-style-type: none"> 1. Replace seals or "O" rings.
Mast does not fully extend.	<ol style="list-style-type: none"> 1. Hydraulic oil tank low. 	<ol style="list-style-type: none"> 1. Fill tank to proper level.
Excessive side movement in rails.	<ol style="list-style-type: none"> 1. Rollers need adjustment or repair. 	<ol style="list-style-type: none"> 1. Shim or replaced rollers as required.
Excessive side movement in Carriage.	<ol style="list-style-type: none"> 1. Thrust pads need adjustment or repair. 	<ol style="list-style-type: none"> 1. Adjust the side play. 2. Replace T-Block.
Carriage or rails hang-up or bind during operation. Notice! See WARNING at the beginning of the Troubleshooting Guide.	<ol style="list-style-type: none"> 1. Rollers need adjustment or repair. 	<ol style="list-style-type: none"> 1. Shim or replaced rollers as required. 2. Adjust the carriage side play.



Bright Forklift

BC3-6560

PROBLEM:	PROBLEM CAUSE:	CORRECTIVE ACTIONS:
Carriage is hitting or scraping the rails.	<ol style="list-style-type: none"> 1. Carriage rollers improperly shimmed or worn excessively. 	<ol style="list-style-type: none"> 1. Adjust or replace the carriage rollers.
Mast out of sequence on ascent, rails move before the carriage.	<ol style="list-style-type: none"> 1. Carriage travel is obstructed. 2. Carriage thrust rollers damaged or need adjustment. 3. Carriage rail rollers damaged or need adjustment. 4. Load excessively off center. 	<ol style="list-style-type: none"> 1. Remove obstruction. 2. Adjust or replace the thrust rollers. 3. Adjust or replace the rail rollers. 4. Center the load on the carriage.
Mast out of sequence on descent, the carriage lowers before the rails retract.	<ol style="list-style-type: none"> 1. Rails are shimmed too tight. 2. Center rail shimmed too tight in the outer rail. 3. Obstruction or debris. 4. Broken roller. 5. Defective flow regulator in the lift cylinder(s). 	<ol style="list-style-type: none"> 1. Re-shim the rails as required. 2. Re-shim the rails as required. 3. Remove any obstruction or debris. 4. Replace roller. 5. Replace the regulator.
Excessive wear on one inner rail only.	<ol style="list-style-type: none"> 1. Carriage roller on opposite side is broken. 	<ol style="list-style-type: none"> 1. Replace the roller, clean and lubricate the rail.



Bright Forklift

BC3-6560

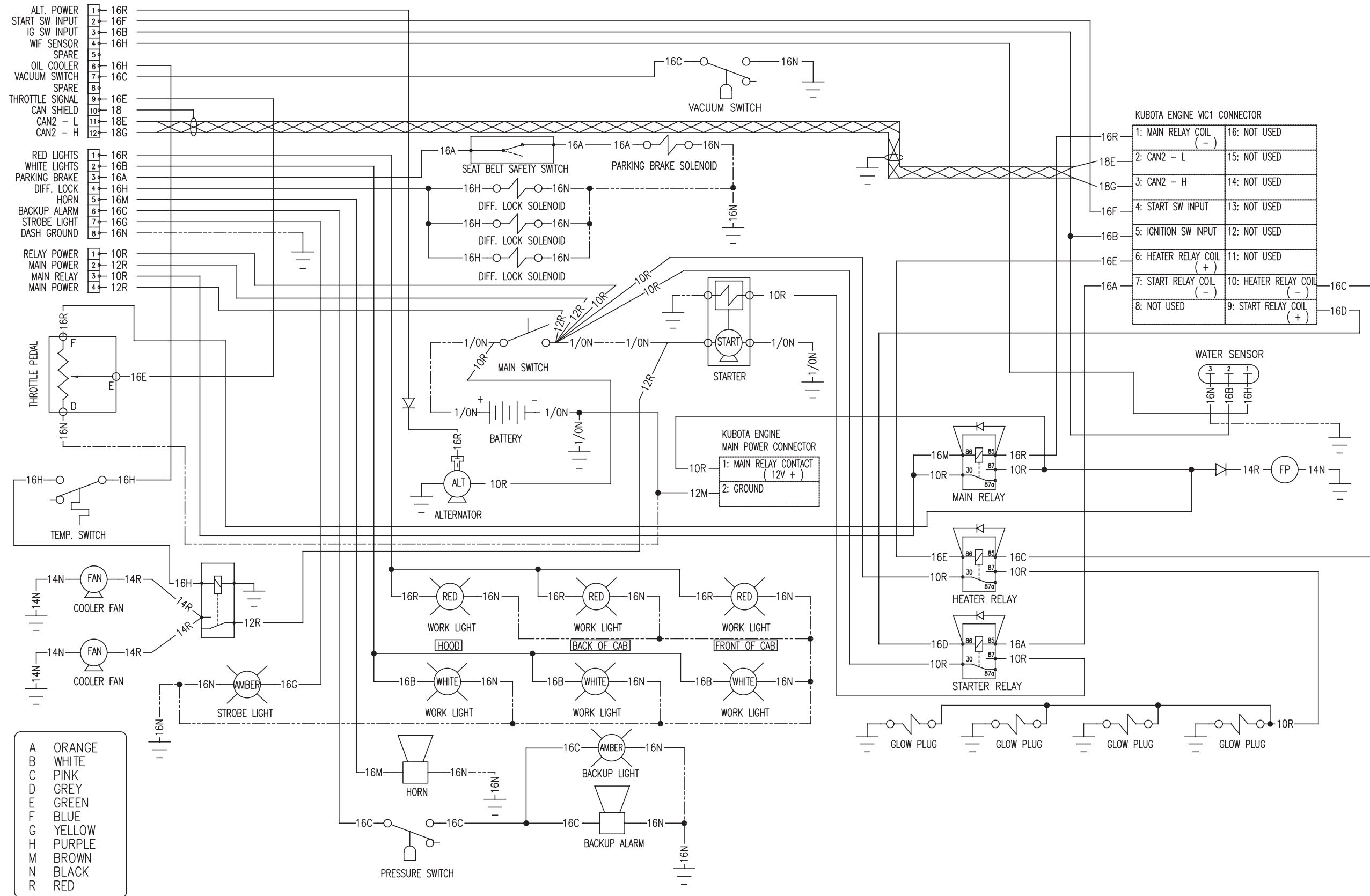
SCHEMATICS



Bright Forklift

ELECTRICAL SCHEMATIC TRUCK

BC3-6560

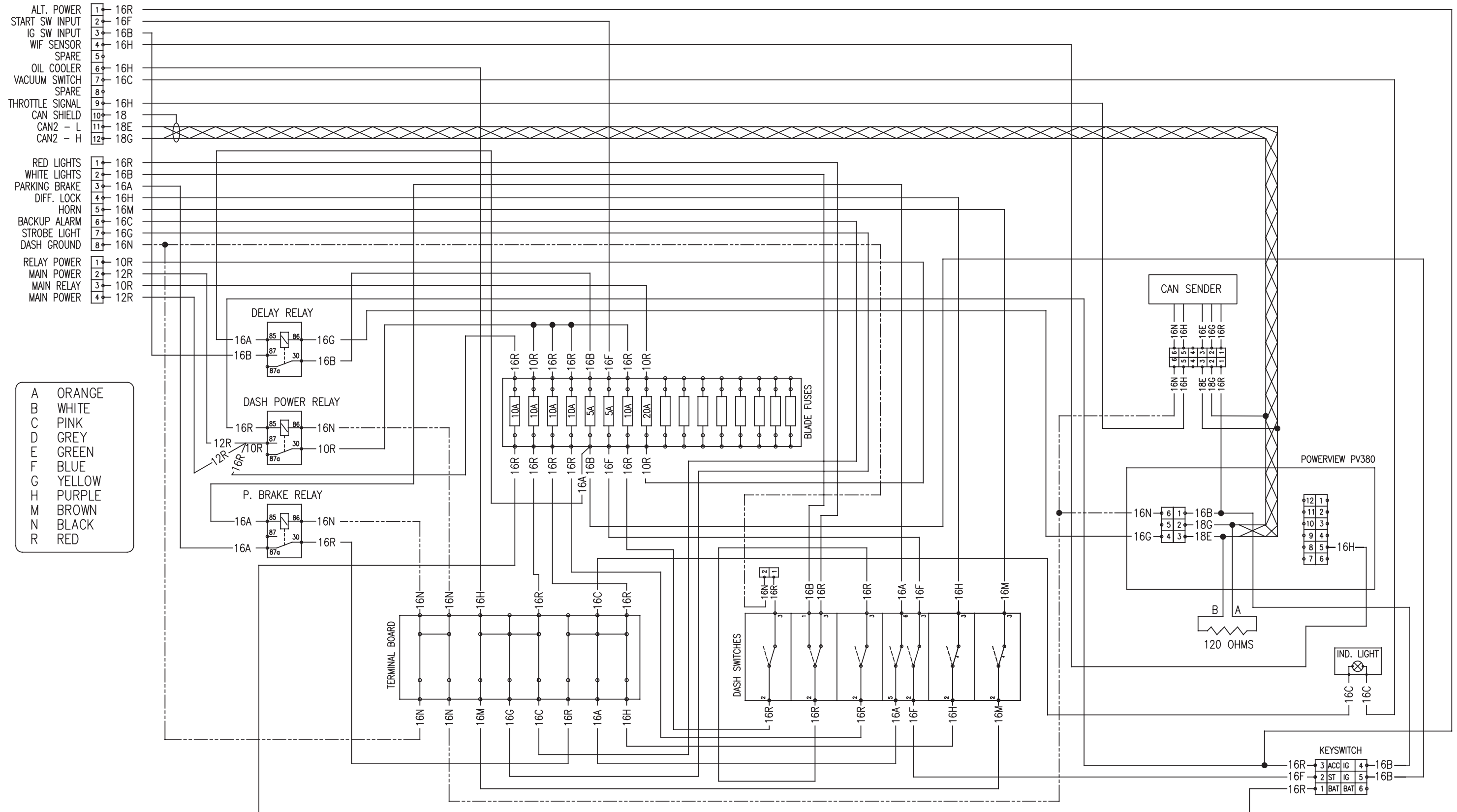




Bright Forklift

ELECTRICAL SCHEMATIC FOR DASH

BC3-6560

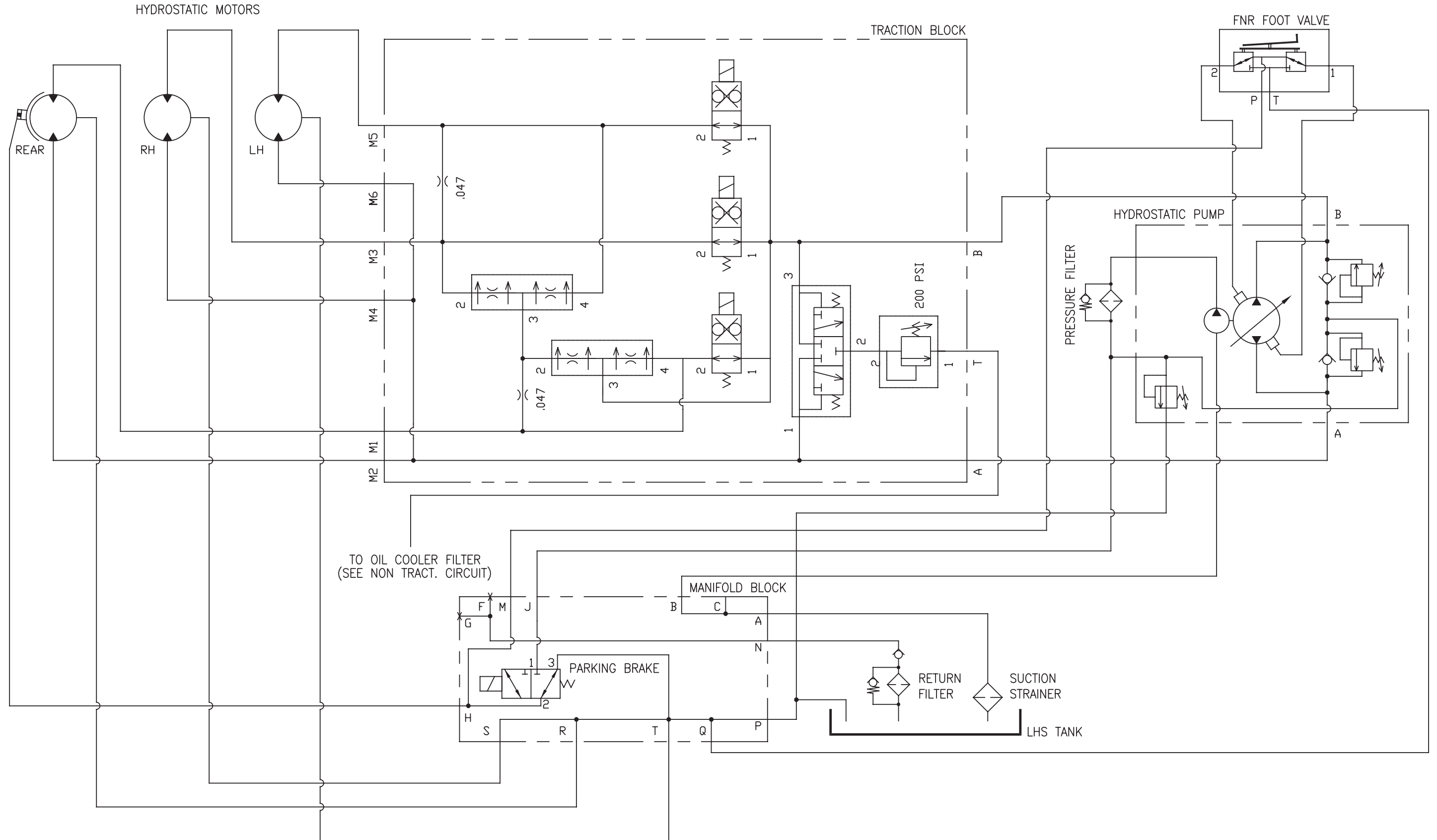


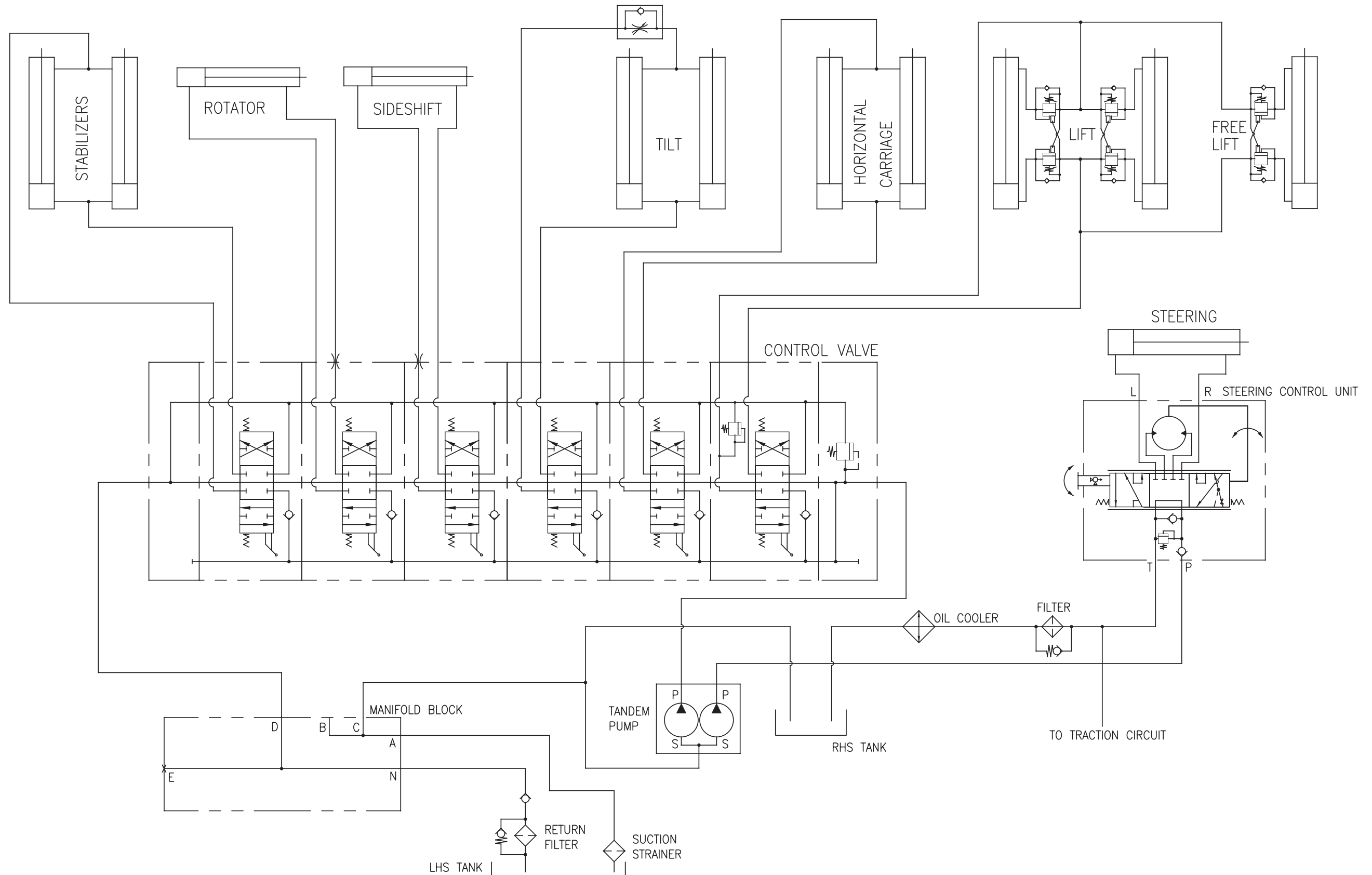


Bright Forklift

HYDRAULIC SCHEMATIC FOR TRACTION

BC3-6560





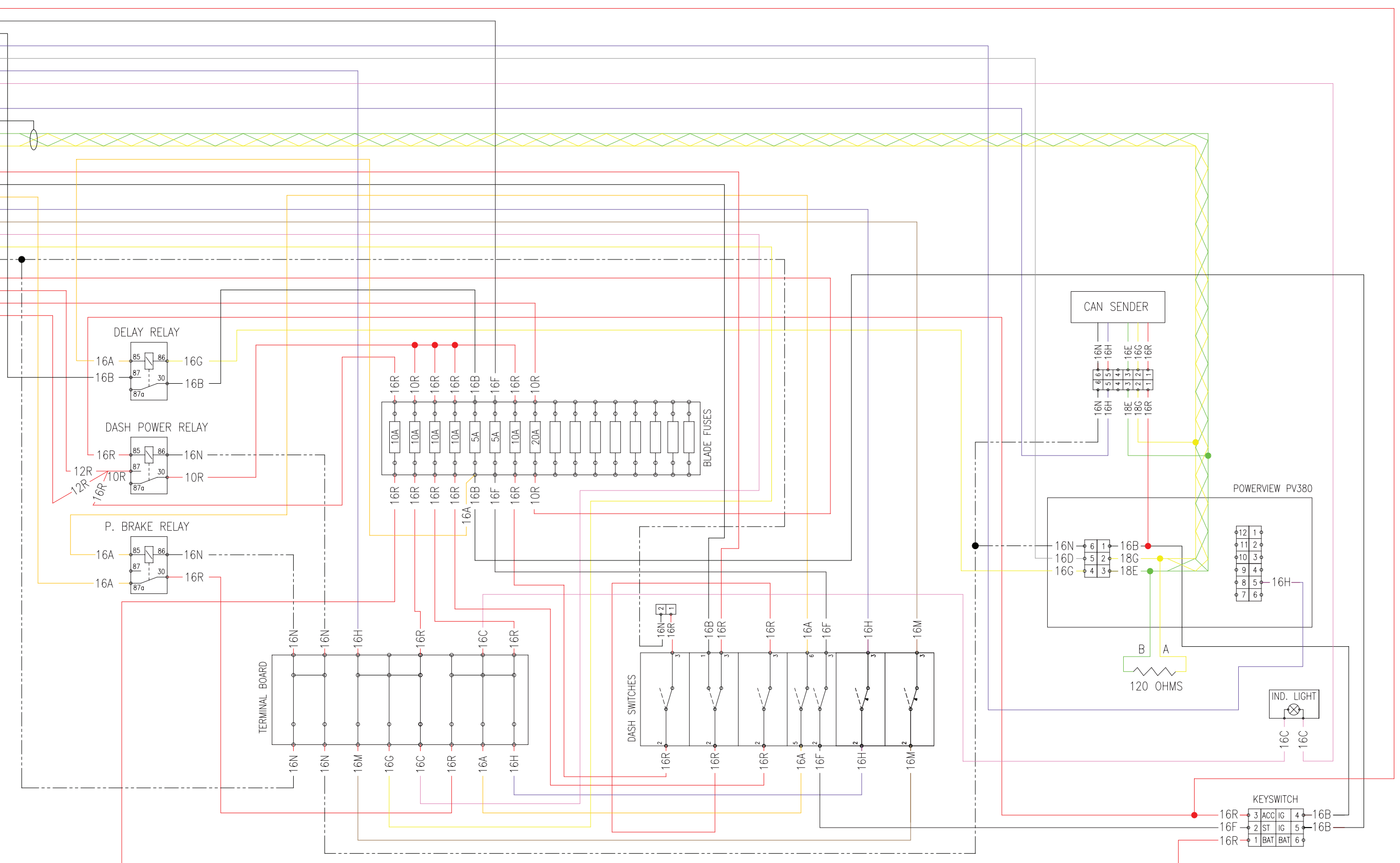


Bright Forklift

ELECTRICAL SCHEMATIC FOR DASH WITH LOL SWITCH

BC3-6560

- | | | |
|-----------------|----|-----|
| ALT. POWER | 1 | 16R |
| START SW INPUT | 2 | 16F |
| IG SW INPUT | 3 | 16B |
| WIF SENSOR | 4 | 16H |
| LOL SWITCH | 5 | 16D |
| OIL COOLER | 6 | 16H |
| VACUUM SWITCH | 7 | 16C |
| SPARE | 8 | |
| THROTTLE SIGNAL | 9 | 16H |
| CAN SHIELD | 10 | 18 |
| CAN2 - L | 11 | 18E |
| CAN2 - H | 12 | 18G |
-
- | | | |
|---------------|---|-----|
| RED LIGHTS | 1 | 16R |
| WHITE LIGHTS | 2 | 16B |
| PARKING BRAKE | 3 | 16A |
| DIFF. LOCK | 4 | 16H |
| HORN | 5 | 16M |
| BACKUP ALARM | 6 | 16C |
| STROBE LIGHT | 7 | 16G |
| DASH GROUND | 8 | 16N |
-
- | | | |
|-------------|---|-----|
| RELAY POWER | 1 | 10R |
| MAIN POWER | 2 | 12R |
| MAIN RELAY | 3 | 10R |
| MAIN POWER | 4 | 12R |

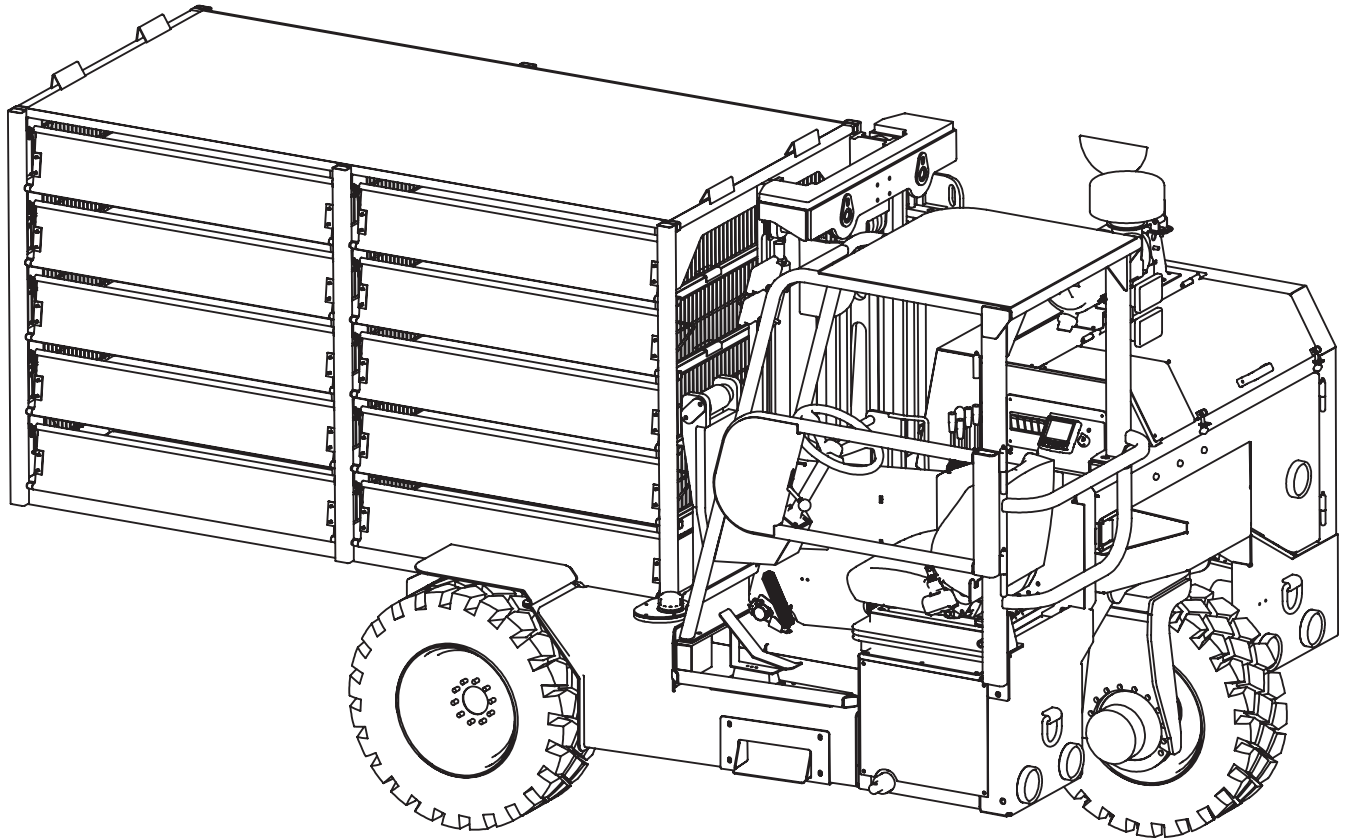


- | | |
|---|--------|
| A | ORANGE |
| B | WHITE |
| C | PINK |
| D | GREY |
| E | GREEN |
| F | BLUE |
| G | YELLOW |
| H | PURPLE |
| M | BROWN |
| N | BLACK |
| R | RED |



Bright Forklift Montacargas Bright

BC3-6560



Manual del operador

Bright Coop Inc.
803 W. Seale St.
Nacogdoches, TX 75964
Teléfono: (936) 564-8378 • Fax: (936) 564-3281
Info@brightcoop.com

Printed in the U.S.A. 10/2021
REV: 08/2024
BC# 097-20866_EN&SP



Bright Forklift

BC3 6560



Bright Coop Inc.
803 W. Seale St.
Nacogdoches, TX 75964
Teléfono: (936) 564-8378 • Fax: (936) 564-3281
Info@brightcoop.com

Printed in the **U.S.A.** 10/2021
REV: 07/2023
BC# 097-20866_EN&SP



Montacargas Bright

BC3-6560

Tabla de Contenido

¡IMPORTANTE! PRECAUCIONES Y RIESGOS	7
NORMAS GENERALES DE SEGURIDAD PARA MONTACARGAS TODO TERRENO.....	11
E STUDIE EL MANUAL DEL OPERADOR	11
LECTURAS ADICIONALES IMPORTANTES.....	11
A.) CAPACITACIÓN DEL OPERADOR.....	11
B.) PRÁCTICAS GENERALES DE SEGURIDAD.....	12
C.) REGLAS Y PRÁCTICAS OPERATIVAS DE SEGURIDAD	13
CONCLUSIÓN:.....	17
ASISTENCIA TÉCNICA	17
INSTRUMENTOS Y CONTROLES.....	18
DESCRIPCIÓN DE LOS CONTROLES.....	19
PANEL DE INSTRUMENTOS DESCRIPCIÓN	20
CONTROLES DEL MÁSTIL DESCRIPCIÓN	21
INSTRUCCIONES GENERALES DE OPERACIÓN.....	22
INSTRUCCIONES PARA EL OPERADOR.....	22
ANTES DE ARRANCAR EL MONTACARGAS	22
ARRANQUE DEL MONTACARGAS: INSTRUCCIONES DE ARRANQUE.....	22
CONDUCCIÓN DEL MONTACARGAS	23
DETENCIÓN DEL MONTACARGAS.....	23
OPERACIÓN DEL MONTACARGAS EN LA VÍA PÚBLICA.....	23
CAPACIDADES DE CARGA	24
INSTRUCCIONES PARA EL MANEJO DE LA CARGA.....	25
GENERALIDADES.....	25
ACCESORIOS	25
ENTORNO.....	25
MANEJO	25
VISIBILIDAD.....	26
REVISE EL ÁREA DE COLOCACIÓN	26
LEVANTAMIENTO DE UNA CARGA DESDE EL SUELO.....	26
LEVANTAMIENTO DE UNA CARGA ELEVADA.....	27
COLOCACIÓN DE UNA CARGA ELEVADA.....	29
CARGAS ANCHAS	30
DOBLE HORQUILLADO DE UNA CARGA.....	30
OPERACIÓN DE CONTROL DE TRACCIÓN (INTERRUPTOR DE BLOQUEO DEL DIFERENCIAL).....	30



Montacargas Bright

BC3-6560

Tabla de Contenido

MONTAJE DEL MANTACARGAS	31
A LA CAJA DE UN CAMIÓN O REMOLQUE.....	31
DESCARGA DEL MONTACARGAS.....	32
DE LA CAJA DE UN CAMIÓN O REMOLQUE	32
INSTRUCCIONES DE MANTENIMIENTO PARA EL BRIGHT MONTACARGAS.....	33
MANTENIMIENTO GENERAL.....	33
MANTENIMIENTO	33
NIVELES	33
LAVADO	33
PROGRAMA DE SERVICIOS.....	34
DIARIAMENTE O CADA 10 HORAS	34
DESPUÉS DE LAS PRIMERAS 50 HORAS.....	34
CADA 50 HORAS	34
CADA 200 HORAS	34
CADA 400 HORAS	34
CADA 800 HORAS	35
CADA 1500 HORAS	35
CADA 2400 HORAS	35
CADA 4800 HORAS	35
COMBUSTIBLES Y LUBRICANTES	36
COMBUSTIBLE.....	36
EAPECIFICACIONES DEL COMBUSTIBLE DIESEL.....	36
ALMACENAMIENTO DE COMBUSTIBLE	36
LUBRICANTES	36
MEZCLA DE LUBRICANTES.....	36
DÓNDE REVISAR EL NIVEL DE LOS FLUIDOS	37
CAPACIDAD	38
NÚMEROS DE PARTE PARA FILTROS BRIGHT	38
MONTACARGAS BRIGHT	39
GARANTÍA Y LIMITACIONES DE RESPONSABILIDAD	39
COBERTURA PROVISTA	39
DERECHO A REALIZAR CAMBIOS EN EL DISEÑO	40
INFORMACIÓN SOBRE LA GARANTÍA DEL MOTOR DIESEL KUBOTA.....	41
KUBOTA INDUSTRIAL ENGINE WARRANTY	42
ELEMENTOS NO CUBIERTOS POR LA GARANTÍA.....	43



Montacargas Bright

BC3-6560

Tabla de Contenido

SOLUCIÓN DE PROBLEMAS.....	44
SOLUCIÓN DE PROBLEMAS DEL MOTOR	45
ES DIFÍCIL ARRANCAR EL MOTOR O NO ARRANCA.....	45
DETONACIÓN EN EL MOTOR.....	45
EL MOTOR FUNCIONA IRREGULARMENTE O SE APAGA FRECUENTEMENTE.....	46
TEMPERATURA DEL MOTOR POR DEBAJO DE LO NORMAL	46
EL MOTOR NO TIENE POTENCIA	46
EL MOTOR SE SOBRECALIENTA.....	47
ALTO CONSUMO DE ACEITE	47
BAJA PRESIÓN DE ACEITE EN EL MOTOR.....	47
ALTO CONSUMO DE COMBUSTIBLE.....	48
EL MOTOR DIESEL EMITE HUMO NEGRO O GRIS POR EL ESCAPE.....	48
EL MOTOR DIESEL EMITE HUMO BLANCO.....	48
LA BATERÍA NO SE CARGA	49
EL ARRANQUE NO FUNCIONA	49
EL ARRANQUE GIRA LENTAMENTE	49
TODO EL SISTEMA HIDRÁULICO NO FUNCIONA.....	49
EL FLUIDO HIDRÁULICO SE SOBRECALIENTA	49
GUÍA PARA SOLUCIÓN DE PROBLEMAS DEL MÁSTIL.....	50
PRECAUCIONES DE SEGURIDAD DEL MÁSTIL	51
PROBLEMS, CAUSES AND CORRECTIVE ACTIONS	52
LOS ESQUEMAS.....	56
DIAGRAMA ELÉCTRICO DEL MONTACARGAS.....	57
DIAGRAMA ELÉCTRICO DEL PANEL DE INSTRUMENTOS	59
DIAGRAMA HIDRÁULICO DE LA TRACCIÓN.....	61
DIAGRAMA HIDRÁULICO EXCLUÍDA LA TRACCIÓN.....	63
DIAGRAMA ESQUEMA ELÉCTRICO CON DISTRIBUCIÓN DE POTENCIA.....	65
DIAGRAMA ELÉCTRICO DEL PANEL DE INSTRUMENTOS CON INTERRUPTOR LOL.....	67



Montacargas Bright

BC3-6560

Estudie

para estar ***bien informado***

Estudie

para estar ***seguro***

Estudie

para su ***seguridad y***

Estudie

para la ***seguridad de los demás***

La ***Seguridad***
es

***Responsabilidad
del Operador***



Montacargas Bright

BC3-6560

¡IMPORTANTE! PRECAUCIONES Y RIESGOS

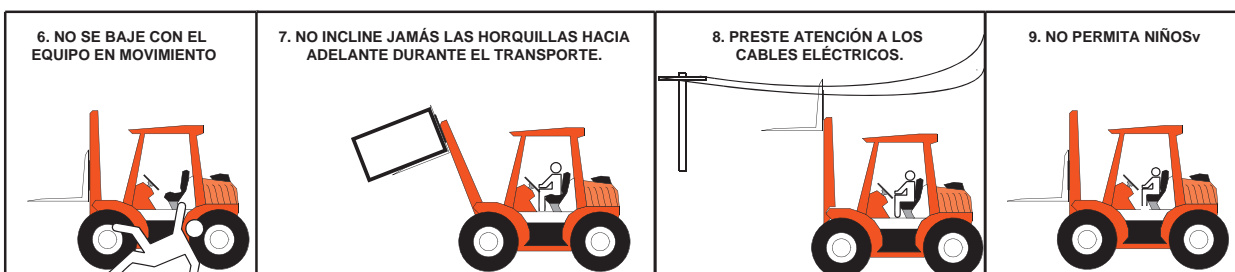
SE SUGIERE OBSERVAR LAS SIGUIENTES PRECAUCIONES PARA AYUDAR A PREVENIR ACCIDENTES. UN OPERADOR CUIDADOSO ES EL MEJOR OPERADOR. LA MAYORÍA DE LOS ACCIDENTES PUEDE SER EVITADA SIGUIENDO CIERTAS PRECAUCIONES. LEA Y OBSERVE LAS SIGUIENTES PRECAUCIONES ANTES DE OPERAR EL MONTACARGAS. EL EQUIPO SÓLO DEBE SER OPERADO POR PERSONAS RESPONSABLES E INSTRUÍDAS PARA HACERLO.



LA OMISIÓN DE TENER EN CUENTA LAS ADVERTENCIAS DE SEGURIDAD Y LAS INSTRUCCIONES PUEDE RESULTAR EN SERIAS LESIONES CORPORALES E INCLUSO LA MUERTE PARA EL OPERADOR Y OTRAS PERSONAS QUE SE ENCUENTREN EN EL ÁREA.



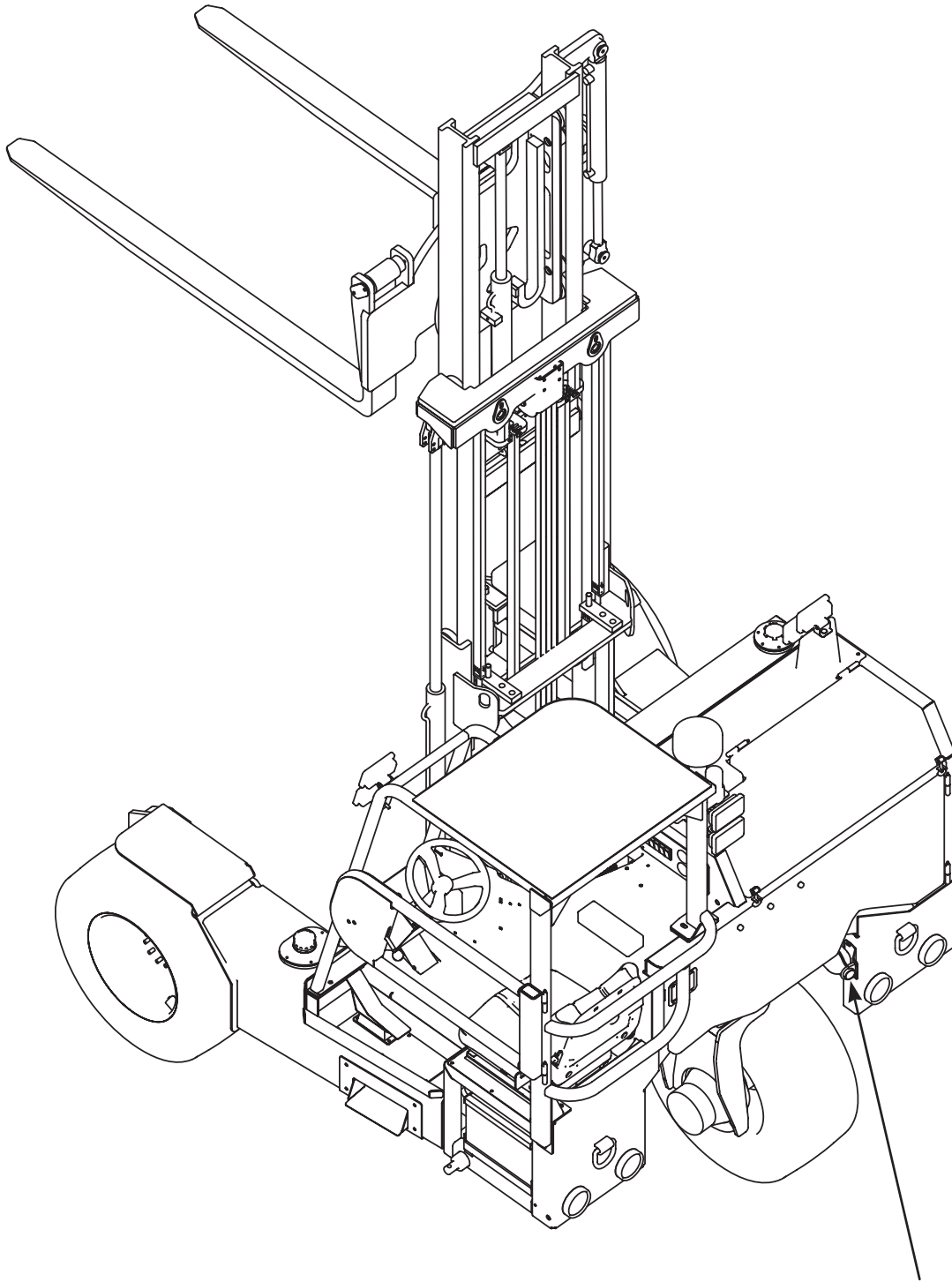
1. Estudie a fondo el Manual del Operador y esté completamente informado acerca de la operación del equipo.
2. Por favor preste suma atención a las advertencias de seguridad colocadas en diversas áreas de la Sección de Operación.
3. Tenga cuidado con otras personas en las proximidades. **NO PERMITA QUE OTROS SE MONTEN.**
4. **NO** se pare sobre o debajo de las horquillas por ningún motivo.
5. El fluido hidráulico está bajo presión. **NO** utilice la mano para verificar si hay fugas. Utilice un trozo de cartón o papel. Si el líquido es inyectado en la piel, obtenga atención médica de inmediato.
6. Arranque siempre el motor estando sentado en el asiento del operador. Apague el equipo antes de bajarse de la máquina. **APAGUE EL INTERRUPTOR PRINCIPAL** antes de realizar cualquier tarea de servicio o mantenimiento.
7. No incline jamás las horquillas hacia adelante mientras transporta una carga. Esto podría hacer que la máquina se vuelque. Mantenga la carga inclinada hacia atrás y tan cerca del suelo como sea posible.
8. Esté atento a objetos a baja altura tales como cables eléctricos al operar el equipo. Podría electrocutarse como resultado del contacto.
9. **NUNCA** permita que niños o personas no debidamente capacitadas operen el equipo.





Montacargas Bright

BC3-6560



ADVERTENCIA



Montacargas Bright

BC3-6560

ADVERTENCIA

El escape del motor de este producto contiene sustancias químicas que el Estado de California considera causantes de cáncer, defectos de nacimiento u otros daños reproductivos.



Montacargas Bright

BC3-6560

La

Seguridad

es

Responsabilidad

del Operador



Montacargas Bright

BC3-6560

NORMAS GENERALES DE SEGURIDAD PARA MONTACARGAS TODO TERRENO

E STUDIE EL MANUAL DEL OPERADOR

La información de este manual proporciona instrucciones generales para la operación segura y el mantenimiento básico de su montacargas. Esta información es vital y debe ser comprendida claramente por el operador y el técnico de servicio. Estudie a fondo y con cuidado este manual y el Manual del motor diésel Kubota antes de operar o realizar el servicio de su montacargas. Contacte a su distribuidor o a Bright Coop Inc. si tiene alguna pregunta relacionada con su montacargas, su operación, su servicio o sus partes. Mantenga ambos manuales disponibles para consultas en la caja para manuales del montacargas. Si alguno de los manuales llegara a ser ilegible o se perdiera, contacte a su distribuidor de inmediato para obtener reemplazos. Este manual no puede abarcar todas las situaciones que pudieran dar lugar a un accidente. ¡El operador tiene la responsabilidad de permanecer siempre alerta ante posibles peligros y estar preparado para evitarlos!

LECTURAS ADICIONALES IMPORTANTES

La norma ANSI / ITSDF B56.6 es la norma de consenso nacional para los montacargas todo terreno. Contiene reglas sobre la seguridad, el mantenimiento, la operación segura, la capacitación y la supervisión de los montacargas. Los propietarios de montacargas deben conocer esta norma y ponerla a disposición de sus operadores, su personal de mantenimiento y sus supervisores. Esta norma se puede obtener de la Sociedad Americana de Ingenieros Mecánicos (ASME, por sus siglas en inglés), 345 East 47th St., United Engineering Center, New York, NY 10017. Las referencias siguientes son ejemplos extraídos de la norma y dirigidas a los operadores de montacargas:

A.) CAPACITACIÓN DEL OPERADOR

1. El propietario deberá asegurarse que los operadores comprendan que la operación segura es responsabilidad del operador. El propietario deberá asegurarse que los operadores tengan conocimiento de todas las reglas y prácticas de seguridad y que las observen.
2. Cree un programa eficaz de capacitación de los operadores en torno a las políticas, las condiciones de operación, y los montacargas todo terreno de la compañía usuaria. El programa deberá ser presentado en su integridad a todos los nuevos operadores y no deberá ser condensado para quienes afirmen tener experiencia previa.
3. La información sobre la capacitación de los operadores está disponible de varias fuentes, incluyendo fabricantes y usuarios de montacargas todo terreno, organismos gubernamentales, etc.
4. Un programa de capacitación de los operadores deberá consistir en lo siguiente:
 - a. selección cuidadosa del operador, teniendo en cuenta sus cualidades físicas, su actitud hacia el trabajo y su aptitud;
 - b. énfasis en la seguridad de las existencias, los equipos, el operador y otros miembros del personal;
 - c. citar las reglas y por qué fueron formuladas;
 - d. fundamentos básicos del montacargas todo terreno y del diseño de sus componentes en lo que se relaciona a la seguridad, por ejemplo, carga en pies-libras. (N-m), limitaciones mecánicas, centro de gravedad, estabilidad, etc.;
 - e. introducción a los equipos, ubicación de los controles y las funciones. Explicar cómo funcionan cuando se utilizan correctamente y los problemas cuando se utilizan incorrectamente;
 - f. supervisar la práctica de operación en un lugar distante de la actividad normal y diseñado para simular las operaciones reales, por ejemplo, apilado de madera, elevación de tejas hasta el techo, etc.;
 - g. evaluaciones y pruebas de desempeño orales, escritas y prácticas durante el curso y al finalizar el mismo;
 - h. cursos de actualización, que podrán ser versiones condensadas del curso principal, y evaluación periódica "en el trabajo" del operador;
 - i. comprensión de los datos de la placa de identificación, de las instrucciones para el operador y de la información de advertencia que aparece en el montacargas todo terreno.



Montacargas Bright

BC3-6560

NORMAS GENERALES DE SEGURIDAD PARA MONTACARGAS TODO TERRENO (CONT.)

B.) PRÁCTICAS GENERALES DE SEGURIDAD

1. Los montacargas todo terreno pueden causar lesiones si son utilizados o mantenidos indebidamente.
2. Sólo los operadores autorizados y capacitados para cumplir estrictamente con todas las instrucciones operativas serán autorizados a operar los montacargas todo terreno. Las condiciones de operación inusuales pueden requerir precauciones adicionales de seguridad, capacitación, e instrucciones de operación especiales.
3. Las modificaciones y adiciones que afecten la capacidad o la operación segura no podrán ser realizadas sin la previa aprobación por escrito del fabricante. Cuando dicha autorización sea concedida, las placas, etiquetas o calcomanías referentes a la capacidad, operación e instrucciones de mantenimiento serán modificadas en consecuencia.
4. Si el montacargas todo terreno está equipado con accesorios delanteros u horquillas opcionales, el usuario deberá asegurarse de que el montacargas esté marcado identificando las horquillas o accesorios, indicando el peso aproximado del montacargas con la combinación de horquillas o accesorios e indicando la capacidad del montacargas con horquillas o accesorios a la elevación máxima con la carga centrada lateralmente.
5. El usuario deberá asegurarse de que todas las placas de identificación, advertencias e instrucciones estén en su lugar y sean legibles.
6. El usuario deberá tener en cuenta que los cambios en la dimensión de la carga pueden afectar la capacidad del montacargas.
7. Cuando la conducción del montacargas se puede realizar con cualquiera de las dos manos y el mecanismo de dirección es de un tipo que evita que las condiciones del terreno hagan girar el volante (dirección asistida o equivalente), se pueden utilizar perillas de volante. Cuando se utilicen, las perillas de volante deberán ser de un tipo que puedan ser agarradas por la mano del operador por su parte superior y deberán estar dentro de la periferia del volante.
8. La experiencia ha demostrado que los montacargas todo terreno que cumplan con los requisitos de estabilidad, son estables cuando se operan correctamente. Sin embargo, la operación inapropiada, el mantenimiento defectuoso, o la falta de limpieza pueden contribuir a una condición de inestabilidad y anular el propósito de los requisitos.
9. Los usuarios deberán tomar en consideración las condiciones de operación especiales. El grado de inclinación hacia adelante y hacia atrás que se utilice se rige por la aplicación. Aunque el uso de la máxima inclinación hacia atrás está permitido bajo ciertas condiciones, tales como viajar con la carga baja, la estabilidad de un montacargas todo terreno según lo determinado por las pruebas estandarizadas no incluye la consideración de la inclinación excesiva a altas elevaciones o el funcionamiento de los montacargas con cargas descentradas excesivas.
10. Algunas de las condiciones que pueden afectar la estabilidad son las condiciones del terreno o el piso, la inclinación del terreno, la velocidad, la carga (los montacargas todo terreno equipados con accesorios se comportan como montacargas parcialmente cargados incluso cuando se operan sin una carga en el accesorio), las fuerzas dinámicas y estáticas, los neumáticos inflados incorrectamente y el criterio ejercido por el operador.

ADVERTENCIA

NUNCA UTILICE ESTE MONTACARGAS PARA ELEVAR PERSONAS, AUNQUE ESTÉ UTILIZANDO UNA PLATAFORMA PARA PERSONAS.

ESTÁ PROHIBIDO ELEVAR PERSONAL CON UN MONTACARGAS EQUIPADO CON UN ROTADOR.



Montacargas Bright

BC3-6560

NORMAS GENERALES DE SEGURIDAD PARA MONTACARGAS TODO TERRENO (CONT.)

C.) REGLAS Y PRÁCTICAS OPERATIVAS DE SEGURIDAD

1. La operación segura es la responsabilidad del operador.
2. Este equipo puede ser peligroso si no es utilizado correctamente. El operador deberá desarrollar hábitos de trabajo seguros y también ser conciente de condiciones peligrosas con el fin de protegerse a sí mismo, a otros integrantes del personal, al montacargas todo terreno y otros materiales.
3. El operador deberá estar familiarizado con la operación y el funcionamiento de todos los controles e instrumentos antes de operar el montacargas todo terreno.
4. Antes de operar un montacargas todo terreno, los operadores de montacargas deberán haber leído y estar familiarizados con el manual del operador del montacargas en particular que estén operando.
5. Antes de comenzar a operar el montacargas todo terreno:
 - a. colóquese en posición de trabajo y ajústese el cinturón de seguridad;
 - b. coloque el control direccional en neutral;
 - c. aplique el freno de estacionamiento;
 - d. arranque el motor.
6. No arranque ni opere el montacargas todo terreno desde ningún lugar que no sea la posición designada para el operador.
7. Mantenga manos y pies dentro del área o compartimiento designado para el operador. No coloque ninguna parte del cuerpo fuera del compartimiento del operador del montacargas todo terreno.
8. Nunca coloque ninguna parte del cuerpo dentro la estructura del mástil o entre el mástil y el montacargas todo terreno.
9. Nunca ponga ninguna parte del cuerpo dentro del mecanismo de extensión del montacargas todo terreno u otros accesorios.
10. Comprenda las limitaciones del montacargas todo terreno y opere el montacargas de una manera segura para no causar lesiones al personal.
11. No permita que nadie se pare o pase por debajo de la parte elevada de un montacargas todo terreno, ya sea que esté vacío o cargado.
12. No permita que pasajeros viajen en los montacargas todo terreno.
13. Revise cuidadosamente la altura antes de pasar por debajo de cables eléctricos, puentes, etc.
14. Un montacargas todo terreno está atendido cuando el operador está a menos de 25 pies (7.6m) del montacargas, y el operador puede verlo.
15. Un montacargas todo terreno está desatendido cuando el operador está a 25 pies (7.6m) o más del montacargas, y el operador puede verlo, o toda vez que el operador se baje del montacargas y ya no pueda verlo.
16. Antes de abandonar la posición del operador:
 - a. detenga completamente el montacargas todo terreno;
 - b. coloque el control direccional en neutral;
 - c. aplique el freno de estacionamiento;
 - d. baje totalmente los elementos de manejo de la carga;
 - e. apague el motor;
 - f. si la carretilla elevadora para terrenos difíciles debe dejarse en una pendiente, bloquee las ruedas.
17. Manténgase a una distancia segura del borde de rampas, plataformas y otras superficies de trabajo similares.



Montacargas Bright

BC3-6560

ROUGH TERRAIN FORKLIFT TRUCK GENERAL SAFETY STANDARDS (CONT.)

C.) REGLAS Y PRÁCTICAS OPERATIVAS DE SEGURIDAD (cont.)

18. No mueva vagones de ferrocarril o remolques con un montacargas todo terreno.
19. No utilice un montacargas de todo terreno para abrir o cerrar las puertas de vagones de ferrocarril.
20. En áreas clasificadas como peligrosas, utilice sólo montacargas todo terreno aprobados para ser utilizados en tales áreas.
21. Reporte todos los accidentes que involucren personal, estructuras de edificios y equipos al supervisor o a quien esté indicado.
22. No agregue elementos ni modifique el montacargas todo terreno.
23. No bloquee el acceso a pasillos de incendio, escaleras y equipo contra incendios.
24. Para montacargas todo terreno equipados con un bloqueo del diferencial, el bloqueo no debe estar activada al conducir por la calle o a altas velocidades o al doblar esquinas. Si el bloqueo está activado al doblar esquinas, podría perderse el control de la dirección.
25. Observe todas las reglas de tránsito, incluyendo los límites de velocidad autorizados. En condiciones normales de tráfico, manténgase a la derecha, guarde una distancia segura en función de la velocidad de la marcha y del vehículo que tenga adelante y mantenga en todo momento el montacargas bajo control.
26. Ceda el derecho de paso a peatones y vehículos de emergencia tales como ambulancias y camiones de bomberos.
27. No pase a un camión que viaje en la misma dirección en intersecciones, puntos ciegos u otros lugares peligrosos.
28. Reduzca la velocidad y haga sonar la señal acústica al cruzar pasillos y otros lugares donde la visibilidad pueda estar obstruida.
29. Siempre que sea posible, cruce las vías de ferrocarril en ángulo. No estacione a menos de 6 pies (1,8 m) del riel más cercano de las vías de ferrocarril.
30. Mantenga una visibilidad clara de su trayectoria y respete al tráfico restante, al personal y las distancias de seguridad.
31. Si la carga que lleva obstruye la visibilidad hacia adelante, viaje arrastrando la carga hacia atrás.
32. Ascienda o descienda pendientes lentamente y con precaución.
 - a. Al subir o bajar pendientes de más del 5%, los montacargas todo terreno cargados deben ser conducidos con la carga hacia arriba de la pendiente;
 - b. Los montacargas de todo terreno descargados deberán ser operados en todas las pendientes con los elementos de manejo de la carga hacia abajo de la pendiente;
 - c. En todas las pendientes, la carga y los elementos de manejo de la carga deben inclinarse hacia atrás, si éste es el caso, y levantarse sólo en la medida necesaria para separarse de la superficie del camino;
 - d. Evite girar, si es posible, y tenga mucho cuidado en pendientes o rampas; desplácese normalmente hacia arriba o hacia abajo. En todas las condiciones de desplazamiento, el montacargas todo terreno deberá operarse a una velocidad que le permita detenerlo de una manera segura.
33. Viaje con los elementos de manejo de la carga o la carga a baja altura y, cuando sea posible, inclinados hacia atrás. No eleve la carga excepto para apilarla.
34. Arranque, deténgase, gire, o cambie de dirección o de una manera suave para no desplazar la carga y/o volcar el montacargas todo terreno.
35. No conduzca de forma temeraria o juegue con el montacargas.
36. Reduzca la velocidad en las superficies mojadas y resbaladizas.
37. Antes de conducir sobre los tablones de una rampa o la placa de un puente, asegúrese de que estén bien sujetos. Conduzca con cuidado y lentamente sobre los tablones de la rampa o la placa del puente, y nunca exceda su capacidad nominal.



Montacargas Bright

BC3-6560

ROUGH TERRAIN FORKLIFT TRUCK GENERAL SAFETY STANDARDS (CONT.)

C.) REGLAS Y PRÁCTICAS OPERATIVAS DE SEGURIDAD (cont.)

38. No ingrese con los montacargas todo terreno a un ascensor a menos que esté específicamente autorizado para hacerlo. Acérquese a los ascensores lentamente, y luego entre directamente después que la cabina del ascensor esté debidamente nivelada. Una vez en el ascensor, neutralice los controles, apague el motor y ponga el freno de estacionamiento. Es recomendable que todo el personal salga del ascensor antes de permitir que el montacargas entre o salga.
39. Evite pasar por encima de objetos sueltos en la superficie del camino.
40. Al girar, reduzca la velocidad a un nivel seguro, y gire el volante realizando un movimiento constante y suave. Excepto cuando maniobre a una velocidad muy baja, gire el volante a un ritmo moderado y parejo.
41. Tenga especial cuidado cuando viaje sin carga, ya que el riesgo de vuelco lateral es mayor.
42. El uso incorrecto de los controles estabilizadores (en caso de estar equipado con ellos) puede causar la desestabilización del montacargas todo terreno. Siempre baje el carro portahorquillas antes de operar los controles estabilizadores.
43. Para los montacargas todo terreno equipados con nivelación lateral:
 - a. Siempre nivele el chasis antes de levantar el brazo o mástil, con o sin carga;
 - b. La nivelación lateral no se debe usar para posicionar una carga elevada; en su lugar, baje la carga y coloque el montacargas todo terreno en la posición adecuada.
44. Maneje solamente cargas estables o dispuestas de manera segura.
 - a. Al manejar cargas descentradas que no puedan ser centradas, proceda con especial precaución;
 - b. Maneje solamente cargas permitidas dentro de la capacidad del montacargas todo terreno;
 - c. Maneje las cargas que excedan las dimensiones utilizadas para establecer la capacidad del montacargas todo terreno con especial precaución. La estabilidad y la maniobrabilidad pueden verse afectadas de manera adversa.
45. Cuando se utilizan accesorios, se debe poner un cuidado especial al asegurar, manipular, posicionar y transportar la carga. Opere los montacargas todo terreno equipados con accesorios como montacargas parcialmente cargados cuando no esté manipulando una carga.
 - a. Al manejar cargas descentradas que no puedan ser centradas, proceda con especial precaución;
 - b. Maneje solamente cargas permitidas dentro de la capacidad del montacargas todo terreno;
 - c. Maneje las cargas que excedan las dimensiones utilizadas para establecer la capacidad del montacargas todo terreno con especial precaución. La estabilidad y la maniobrabilidad pueden verse afectadas de manera adversa.
46. Maneje la carga completamente utilizando los elementos para asegurar la carga. La longitud de la horquilla debe ser de por lo menos dos tercios de la longitud de la carga. Cuando se disponga de inclinación, incline cuidadosamente la carga hacia atrás para estabilizarla. Tenga precaución al inclinarse hacia atrás con cargas altas o segmentadas.
47. Enganche completamente la carga con los medios de acoplamiento de carga. La longitud de la horquilla debe ser al menos dos tercios de la longitud de la carga. Donde se proporciona la inclinación, incline con cuidado la carga hacia atrás para estabilizarla. Se debe tener precaución al inclinar hacia atrás con cargas altas o segmentadas.
48. Tenga mucho cuidado al inclinar la carga hacia adelante o hacia atrás, especialmente cuando se apile a un nivel alto. No debe inclinarse hacia adelante con los elementos de manejo de la carga elevados, excepto para recoger o depositar una carga sobre un estante o pila. Cuando apile, utilice sólo la inclinación suficiente hacia atrás como para estabilizar la carga.



Montacargas Bright

BC3-6560

ROUGH TERRAIN FORKLIFT TRUCK GENERAL SAFETY STANDARDS (CONT.)

C.) REGLAS Y PRÁCTICAS OPERATIVAS DE SEGURIDAD (cont.)

49. El manejo de cargas suspendidas por medio de un brazo de grúa u otro dispositivo puede introducir fuerzas dinámicas que afecten la estabilidad de un montacargas todo terreno. Las pendientes y los arranques, paradas y giros bruscos pueden hacer que la carga oscile y cree un riesgo si no es estabilizada externamente. Al manejar cargas suspendidas:
- no exceda la capacidad establecida por los fabricantes para el montacargas todo terreno equipado para manipular cargas suspendidas;
 - sólo levante la carga verticalmente y nunca la arrastre horizontalmente;
 - transporte la carga con la parte inferior de la carga y el mástil lo más bajos posible;
 - con la carga elevada, maniobre el montacargas todo terreno despacio y con cautela, y sólo en la medida necesaria para permitir bajarla a la posición de transporte;
 - utilice cuerdas para restringir la oscilación de la carga siempre que sea posible.
50. Al comienzo de cada turno y antes de operar el montacargas todo terreno, compruebe su estado, prestando especial atención a:
- los neumáticos y su presión de inflado;
 - dispositivos de advertencia;
 - luces;
 - sistemas de elevación e inclinación, medios de carga y cadenas.;
 - frenos;
 - mecanismo de dirección;
 - sistema (s) de combustible.
51. Si se determina que el montacargas todo terreno necesita reparación o presenta alguna inseguridad, o si contribuye a una condición insegura, se deberá informar inmediatamente a la autoridad designada por el usuario, y el montacargas no se operará hasta que haya sido restaurado a las condiciones seguras de operación.
52. Si durante la operación el montacargas se vuelve de alguna manera inseguro, se deberá informar inmediatamente a la autoridad designada por el usuario, y el montacargas no se operará hasta que haya sido restaurado a las condiciones seguras de operación.
53. No haga reparaciones o ajustes a menos que usted esté específicamente autorizado para hacerlo.
54. Al reabastecer el montacargas todo terreno de combustible, no se permitirá fumar en el área, el motor deberá ser apagado y el operador no deberá estar sobre el equipo.
55. Los derrames de aceite o combustible serán cuidadosa y completamente absorbidos o evaporados y la tapa del depósito de combustible deberá ser colocada nuevamente en su lugar antes de volver a arrancar el motor.
56. No utilice llamas abiertas mientras revisa el nivel del electrolito en las baterías de almacenamiento, el nivel del líquido en los tanques de combustible, o el estado de las tuberías y conectores de gas licuado de petróleo.



Montacargas Bright

BC3-6560

ROUGH TERRAIN FORKLIFT TRUCK GENERAL SAFETY STANDARDS (CONT.)

CONCLUSIÓN:

1.) ASISTA A LAS CLASES DE CAPACITACIÓN PARA OPERADORES

El operador del montacargas debe comprender claramente todas las instrucciones relacionadas con la operación segura del montacargas y todas las reglas y regulaciones de seguridad del lugar de trabajo. Debe haber completado con éxito un curso de capacitación de acuerdo a la norma "Powered Industrial Truck Standard" (29 CFR 1910.17 8) según lo indica la Administración de Seguridad y Salud Ocupacional (OSHA, por sus siglas en inglés). Debe estar calificado en cuanto a sus aptitudes visuales, auditivas, físicas, y mentales para operar el equipo de manera segura. ¡NUNCA se debe utilizar drogas o alcohol mientras se opera un montacargas! ¡NUNCA se debe operar o permitir que nadie opere un montacargas cuando la agilidad mental o la coordinación están disminuidas! Un operador que esté utilizando medicamentos recetados o de venta libre deberá consultar a un profesional médico acerca de los efectos secundarios del medicamento que podrían disminuir su capacidad para operar con seguridad el montacargas.

2.) CREE UN PROGRAMA DE MANTENIMIENTO

La OSHA recomienda un registro de mantenimiento que enumere las reparaciones solicitadas y completadas para cada montacargas. Asimismo se deberán utilizar procedimientos de "bloqueo y etiquetado". Si el montacargas no funciona correctamente; estacionelo de forma segura, retire la llave, póngale una etiqueta de "No utilizar" y reporte el problema a la autoridad competente o al personal de servicio autorizado inmediatamente. Para el mejor desempeño y operación del montacargas, se requiere un programa de mantenimiento.

3.) CONOCIMIENTO DEL MONTACARGAS

Los montacargas pueden causar lesiones graves si son utilizados o mantenidos indebidamente. Estudie todos los manuales suministrados para su modelo de montacargas. Conozca la ubicación y los significados de todas las calcomanías de seguridad. Si alguna calcomanía no es legible o falta, haga que sea reemplazada inmediatamente. Asegúrese de que todas las características de seguridad proporcionadas por el fabricante original estén en su lugar y funcionen correctamente. No utilice un montacargas con componentes dañados, faltantes o inseguros. Haga que sea reparado por personal de servicio autorizado. Conozca las funciones de todos los controles, medidores, indicadores luminosos, etc. en el montacargas. Conozca los rangos de velocidad/cambios, las capacidades de frenado y dirección, las capacidades de carga y las dimensiones. Cuando se menciona la ubicación de los componentes del montacargas, los términos "izquierda", "derecha", "delantero", y "trasero" se relacionan con el operador sentado normalmente en el asiento del operador, mirando hacia adelante. Si usted tiene alguna pregunta acerca del montacargas, consulte a su supervisor. ¡No comprender completamente o no obedecer las advertencias de seguridad puede resultar en lesiones graves o la muerte!

4.) CONOCIMIENTO DEL SITIO DE TRABAJO

Antes de operar en un sitio de trabajo, aprenda las reglas para el movimiento de personas, montacargas y el resto del tráfico. Revise el tamaño, el peso y el estado de las cargas que se espera que usted maneje. Verifique que estén bien aseguradas y seguras para ser transportadas. Verifique dónde se van a colocar las cargas, planifique su ruta para un acercamiento seguro, prestando atención a las situaciones peligrosas. ¿Se requerirá un señalero para ayudar a colocar la carga? Retire los restos que puedan causar daños o ruptura de los neumáticos. Planifique su ruta evitando las áreas problemáticas o haga que sean corregidas. Informe al supervisor sobre cualquier situación insegura que observe en el lugar. Ejemplos de peligros: cables eléctricos, otro tipo de cables, estructuras de baja altura, puertas de garaje, postes y líneas telefónicas, cercas, maderas sueltas, materiales de construcción, lugares de depósito, zanjas, lugares ásperos/blandos, derrames de aceite, fango profundo, pendientes pronunciadas, rieles de ferrocarril, bordillos, etc. ¡No se acerque nunca a cables eléctricos, tuberías de gas u otros servicios públicos con el montacargas! Verifique siempre que las regulaciones locales, estatales/provinciales y federales se hayan cumplido. Reporte de inmediato cualquier accidente relacionados con el personal, las estructuras de los edificios y los equipos al supervisor. Permanezca siempre alerta: ¡las condiciones en el lugar de trabajo cambian constantemente!

ASISTENCIA TÉCNICA

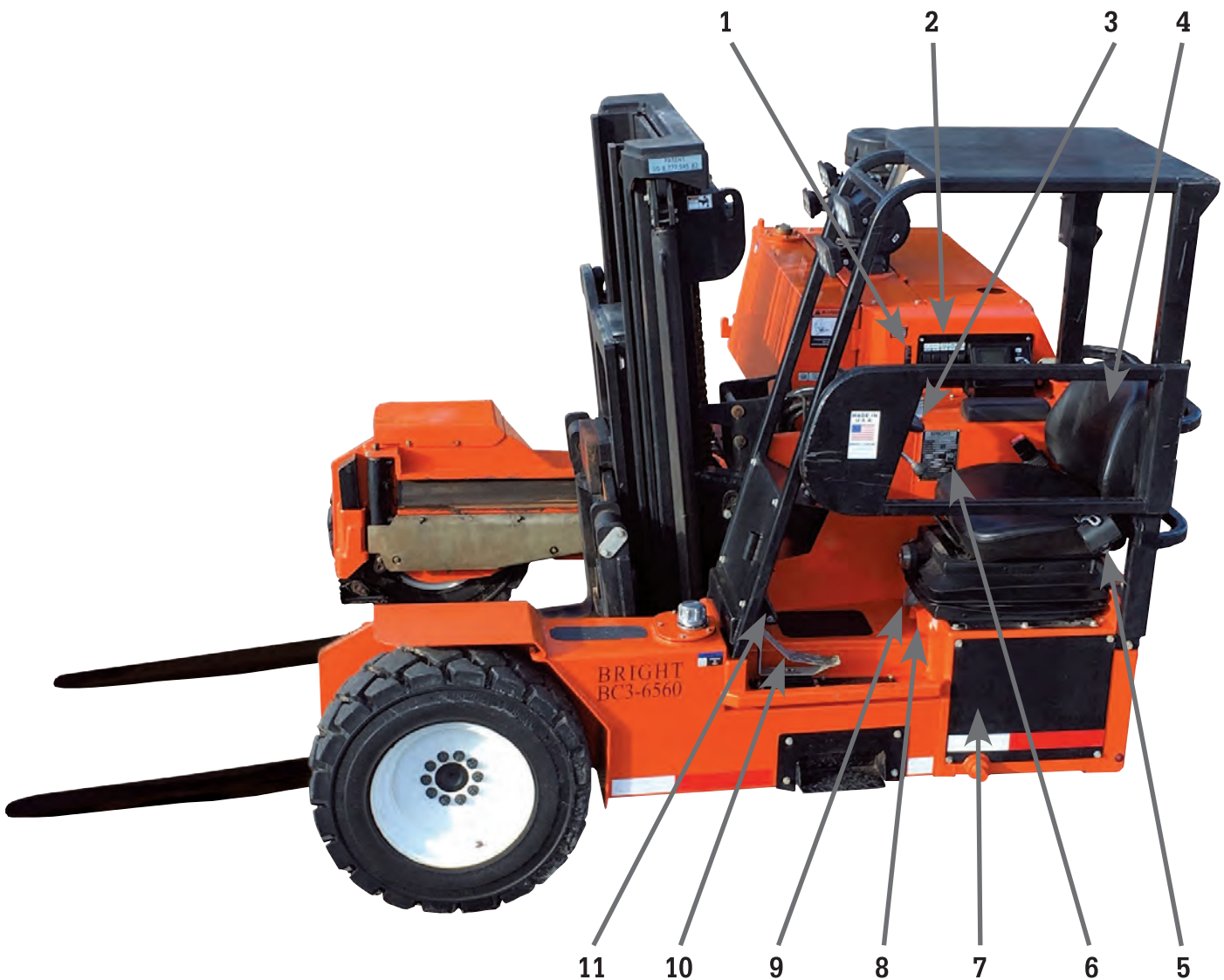
Toda la información proporcionada en este manual está sujeta a cambios en la producción, la adición de nuevos modelos y mejoras en el diseño de los productos. Si surge alguna pregunta acerca de su montacargas, por favor consulte a su distribuidor o a Bright Coop Inc. para obtener la información más reciente. Cuando realice el pedido de piezas de repuesto o solicite información técnica, cite el Modelo/Número de Serie correspondiente.

Montacargas Bright

BC3-6560

INSTRUMENTOS Y CONTROLES

Imagen A





Montacargas Bright

BC3-6560

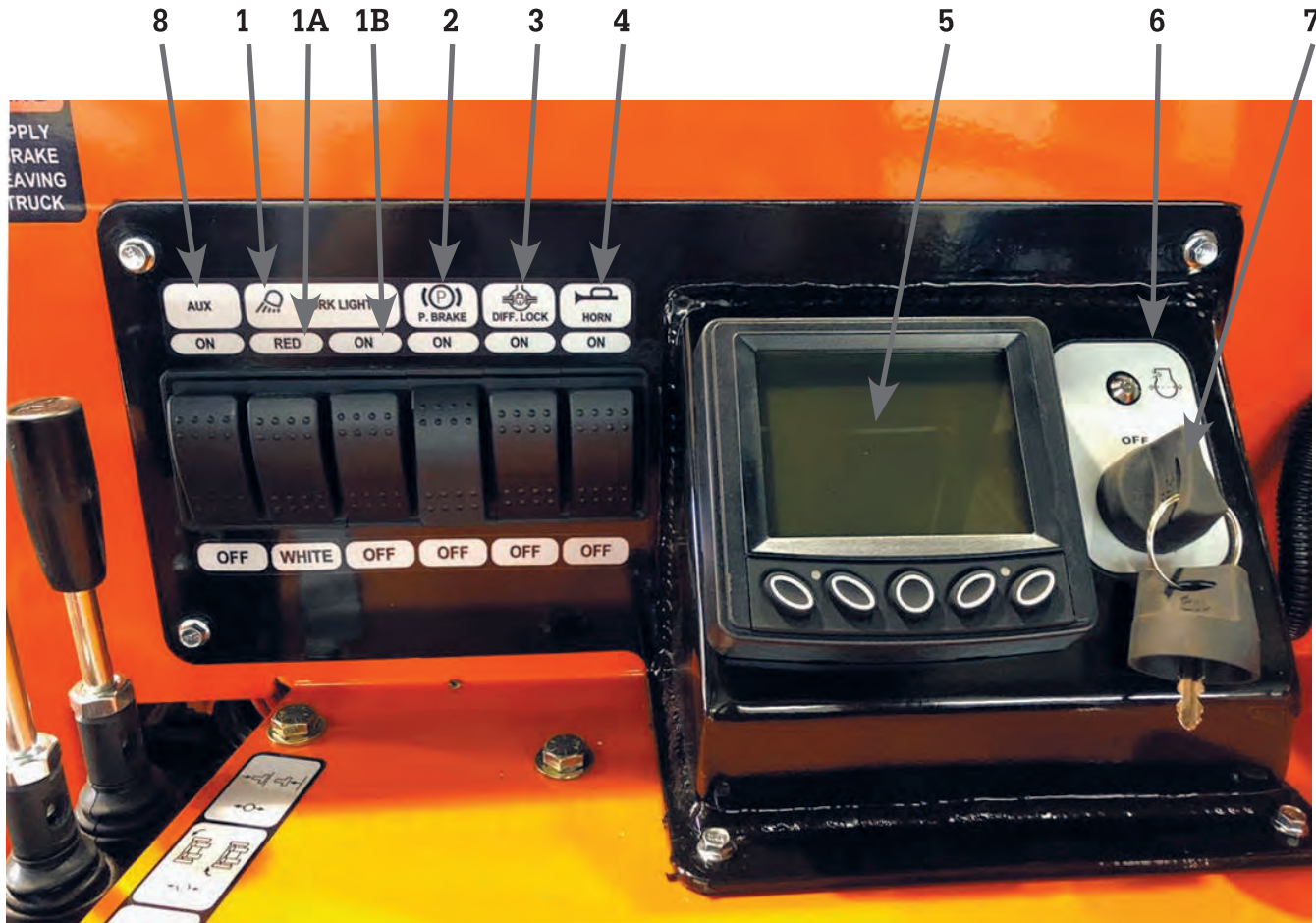
INSTRUMENTOS Y CONTROLES

Imagen A

Descripción de los Controles

1. Palancas de control del mástil hidráulico
2. Panel de instrumentos
3. Volante
4. Asiento del operador
5. Cinturón de seguridad
6. Placa de identificación
7. Panel de acceso el acumulador
8. Interruptor principal
9. Receptáculo de 7 vías para las luces traseras
10. Control hidrostático de dirección y velocidad
11. Acelerador de pie

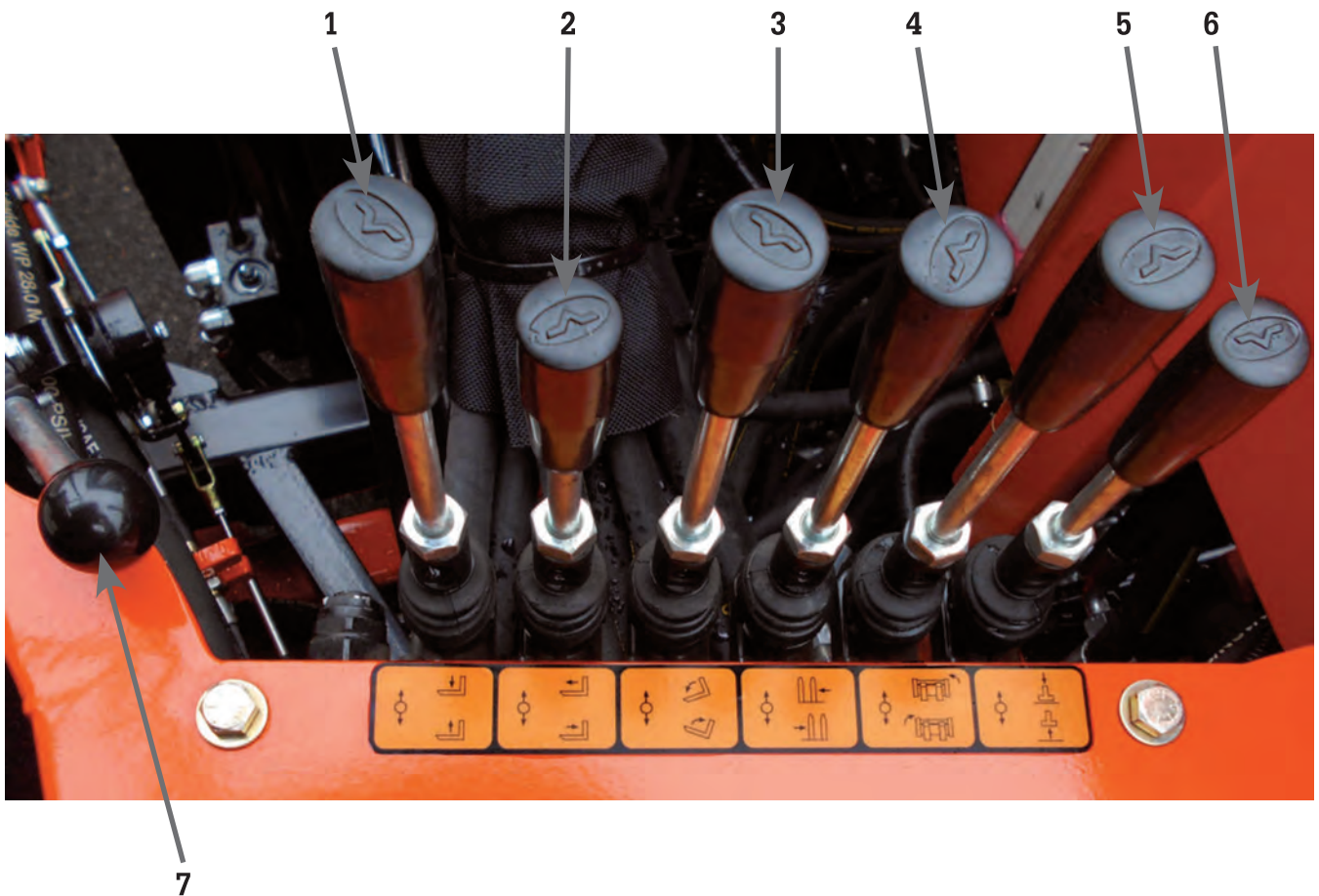
Imagen B: Panel de Instrumentos



Panel de instrumentos descripción

- | | |
|--|--|
| 1. Interruptores de luces de trabajo | 4. Bocina |
| 1A. Selector de las luces de trabajo | 5. Pantalla digital PV380 |
| 1B. Interruptor principal de las
luces de trabajo | 6. Luz indicadora del filtro sucio |
| 2. Freno de estacionamiento | 7. Encendido |
| 3. Bloqueo del diferencial | 8. Interruptor auxiliar (si está equipado) |

Imagen C: Controles del Mástil



Controles del mástil descripción

- | | |
|--|---|
| 1. Palanca para bajar /elevar | 5. Palanca para rotar en sentido anti - horario / horario |
| 2. Palanca para extender / retraer | 6. Palanca para bajar / subir los estabilizadores |
| 3. Palanca para inclinar hacia adelante / atrás | 7. Acelerador de mano |
| 4. Palanca para desplazar hacia la izquierda / derecha | |



Montacargas Bright

BC3-6560

INSTRUCCIONES GENERALES DE OPERACIÓN

Instrucciones para el operador

1. Use ropa adecuada para operar el montacargas. Evite la ropa muy amplia.
2. Nunca opere el vehículo con las manos o los pies mojados o sucios con sustancias grasosas.
3. Al subir al montacargas, no utilice el volante como palanca para sujetarse: utilice el estribo previsto con este fin para subir o bajar del montacargas.
4. Para su mayor comodidad, ajuste el asiento del conductor según sea necesario.
5. El operador siempre deberá estar sentado normalmente en el asiento del conductor. Está prohibido tener los brazos, las piernas o cualquier otra parte del cuerpo extendida fuera de la cabina del montacargas.
6. Recuerde siempre abrocharse el cinturón de seguridad y ajustarlo correctamente antes de operar el montacargas.
7. Nunca permita que un pasajero viaje en el montacargas o en la cabina.

Antes de arrancar el montacargas

1. Revise el estado de los neumáticos y la presión de los neumáticos.
2. Revise el nivel de todos los fluidos: el aceite del motor, el aceite del depósito hidráulico y el sistema de enfriamiento.
3. Busque posibles fugas: aceite, combustible u otros fluidos.
4. Revise los seguros de los compartimientos del cofre y del motor.
5. Se aconseja que el operador se familiarice con la ubicación y el funcionamiento de todos los instrumentos y controles antes de operar el montacargas.

Arranque del montacargas: Instrucciones de arranque

ADVERTENCIA

No opere el montacargas a menos que esté sentado correctamente y con el cinturón de seguridad abrochado

AVISO

Nunca trate de arrancar el montacargas empujándolo o remolcándolo. Empujar o remolcar el montacargas puede causar graves daños a la transmisión.

1. Verifique que el freno de mano esté accionado.
2. Asegúrese de que el pedal del control hidrostático de dirección y velocidad se encuentre en la posición neutral.
3. En condiciones frías, gire la llave de encendido a la posición "ON" y manténgala en esa posición hasta que la luz indicadora se apague.
4. Gire la llave a la posición "ST" (arranque) y el motor deberá arrancar. Suelte la llave inmediatamente en cuanto arranque el motor.
5. Verifique que la lámpara de presión de aceite y la lámpara de carga estén apagadas. Si las lámparas aún están encendidas, pare inmediatamente el motor y determine la causa.
6. Calentar el motor a velocidad media sin carga.

AVISO

No accione el motor de arranque durante más de 15 segundos seguidos. Espere 2 minutos entre intentos de arranque, lo cual permite que el motor de arranque se enfríe. Active el precalentador durante 10 segundos entre intentos de arranque.



Montacargas Bright

BC3-6560

Conducción del montacargas

1. Siempre conduzca el montacargas con las horquillas o el accesorio a aproximadamente 12 pulgadas (300 mm) de suelo.
2. Familiarícese con el montacargas en el terreno en el cual será utilizado.
3. Asegúrese de que el freno hidrostático, el freno de emergencia y la alarma de sonido están funcionando correctamente.
4. Conduzca a una velocidad apropiada para las condiciones y el estado del terreno.
5. Reduzca la velocidad antes de ejecutar un giro.
6. Asegúrese de tener la velocidad bajo control en toda circunstancia.
7. Conduzca lentamente sobre terrenos mojados, resbaladizos o dispares.
8. Disminuya la velocidad suavemente, nunca bruscamente.
9. No conduzca con el freno de estacionamiento aplicado.
10. Recuerde siempre que la dirección de tipo hidrostático es extremadamente sensible a los movimientos del volante; asegúrese de girarlo suavemente y no de forma errática.
11. Nunca deje desatendido el montacargas con el motor en marcha.
12. Mira en el sentido de la marcha y asegúrese siempre de tener buena visibilidad del camino que tiene por delante.
13. Al trabajar por la noche, asegúrese de que su montacargas esté equipado con luces largas.
14. Conduzca alrededor de los obstáculos.
15. No suba nunca a un puente peatonal, piso o elevador de carga sin tener la certeza de que están indicados para el peso y las dimensiones del montacargas.
16. El montacargas cargado no debe viajar a una velocidad superior a 7 mph. (12 km/h)
17. No se suba nunca a una plataforma de carga sin revisar primero:
 - a. Que está posicionada y asegurada de manera adecuada;
 - b. Que la unidad a la que está conectada no se mueva;
 - c. Que esta plataforma está indicada para el peso total del montacargas;
 - d. Que esta plataforma está indicada para el ancho del montacargas.

ADVERTENCIA

Tenga mucho cuidado al trabajar alrededor de plataformas, trincheras y terrenos recientemente excavados y rellenados

Detención del montacargas

1. Antes de detener el montacargas después de un largo período de trabajo deje el motor en punto muerto durante unos minutos para permitir que el líquido de enfriamiento y el aceite bajen la temperatura del motor y de la transmisión.
2. Nunca deje la llave de encendido en el montacargas cuando está desatendido.
3. Cuando el montacargas esté detenido, coloque las horquillas en el suelo, y aplique el freno de estacionamiento.
4. Asegúrese de que el montacargas no esté detenido en una posición que interfiera con el flujo del tráfico y por lo menos a 6 pies (1,8 m) de distancia de una vía de ferrocarril.
5. Estacione el montacargas en una superficie plana o en una pendiente menor al 15%.
6. Suelte el pedal del acelerador y detenga el montacargas.
7. Aplique el freno de estacionamiento.
8. Retraiga el mástil por completo.
9. Baje las horquillas para que descansen en el suelo.
10. Detenga el motor con el interruptor de encendido.
11. Quite la presión de los circuitos hidráulicos utilizando los controles hidráulicos.
12. Retire la llave.
13. Si necesita estacionar en una pendiente, estacione el montacargas en ángulo recto a la pendiente, aplique el freno de estacionamiento y bloquee las ruedas.

Operación del montacargas en la vía pública

ADVERTENCIA

Usted debe observar todas las normas de tránsito cuando opera su montacargas. Los montacargas de tipo montaje no están autorizados para circular en la vía pública.



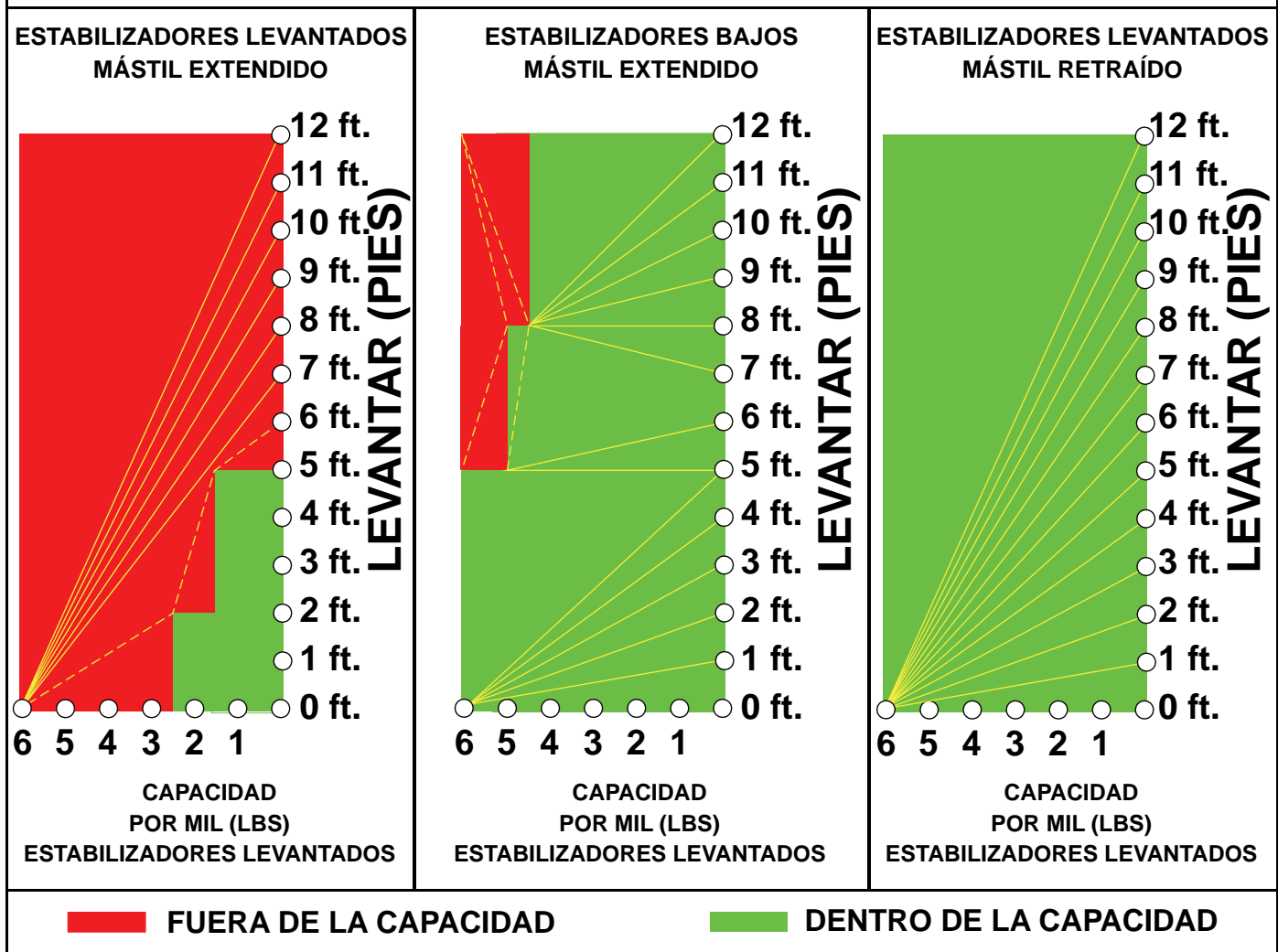
Montacargas Bright

BC3-6560

Capacidades de carga

CAPACIDAD DE CARGA @ 24" CENTRO

(48" CUBO) EN UNA SUPERFICIE NIVELADA FIRME





Montacargas Bright

BC3-6560

INSTRUCCIONES PARA EL MANEJO DE LA CARGA

Generalidades

1. No trate de realizar ninguna operación que exceda las capacidades de su montacargas o accesorio.
2. Antes de levantar una carga: vea a su supervisor para controlar el tamaño, el peso y el estado de la carga.
3. Si la carga no está correctamente marcada, vea a su supervisor para verificar el peso. Divida la carga en unidades más pequeñas si fuera necesario.
4. Tenga en cuenta el centro de gravedad del área de la carga donde colocará las horquillas para el transporte estable.
5. Verifique que la carga esté bien envuelta o flejada y segura para ser transportada. Revise el estado del pallet o tarima. ¿Necesitan ser reemplazados? Si la carga es de materiales sueltos o está mal envuelta, debe ser hecha segura.
6. Asegure la carga para que no se desplace o se caiga durante el transporte.
7. Está prohibido aumentar el valor del contrapeso de ninguna forma.
8. Está estrictamente prohibido transportar o elevar personal con el montacargas.
9. Nunca levante una carga con una sola horquilla.
10. Nunca levante una lingada con una sola horquilla o con el carro portahorquillas.

Accesorios

1. Asegúrese que los accesorios de su montacargas funcionen correctamente.
2. Asegúrese de que el accesorio está correctamente colocado y asegurado a su armazón.
3. Cumpla con los límites en la tabla de carga para el montacargas y/o los accesorios.
4. Asegúrese de que las conexiones hidráulicas rápidas del sistema de fijación del accesorio están limpias y protegidas.

ADVERTENCIA

Usted debe consultar a su agencia local de electricidad Podría sufrir lesiones graves si opera cerca de cables eléctricos

Entorno

1. Al levantar una carga, preste atención a que ningún objeto o persona interfiera con el mástil o el movimiento del montacargas.
2. En caso de trabajar cerca de líneas de transmisión, asegúrese de que la distancia de seguridad entre la zona de trabajo del montacargas y la línea de transmisión sea suficiente.
3. No permita que el personal se acerque a la zona de trabajo del montacargas o que pase por debajo de una carga elevada.
4. Al utilizar el montacargas en una pendiente, asegúrese que el montacargas esté nivelado y estable antes de levantar las horquillas.
5. Asegúrese de que la plataforma o la pila de carga puedan soportar el peso.
6. Asegúrese de la estabilidad y la solidez del suelo antes de depositar la carga.
7. Al trasladarse por una pendiente longitudinal, conduzca y frene suavemente. Muévase con la carga / las horquillas en dirección cuesta arriba.

Manejo

1. Tenga siempre en cuenta la seguridad. Sólo transporte cargas equilibradas y aseguradas correctamente para evitar cualquier riesgo de vuelco.
2. Coloque totalmente las horquillas debajo de la carga y transpórtela en posición baja a aproximadamente 12" (300 mm) del suelo, con el mástil retraído al máximo e inclinado hacia atrás.
3. No maniobre el montacargas con el mástil en la posición elevada, excepto en circunstancias excepcionales y sólo con extrema precaución, a muy baja velocidad y frenando con suavidad. Asegúrese de que la visibilidad sea adecuada y solicite a otra persona que le guíe si fuera necesario.
4. Nunca cambie la posición de la carga mientras el montacargas esté en movimiento.
5. El uso simultáneo de dos montacargas para manejar cargas pesadas o voluminosas es una maniobra peligrosa que requiere tomar precauciones específicas. Esto sólo debe hacerse en circunstancias excepcionales y en presencia de un supervisor de la manipulación.
6. Nunca conduzca demasiado rápido ni frene bruscamente mientras lleva una carga.

Manejo (cont.)

7. Revise la carga, sobre todo al doblar las esquinas y si es muy voluminosa.
8. Asegure las cargas inestables.
9. Maneje las cargas con precaución a baja velocidad, y sin movimientos bruscos al moverlas a alturas significativas y con el mástil extendido.
10. No cambie de dirección bruscamente ni a gran velocidad.
11. Aplique el freno de estacionamiento al levantar o depositar una carga difícil o cuando esté en una pendiente.
12. No detenga el montacargas con la carga en una posición elevada.
13. No deje un montacargas cargado con el freno de estacionamiento aplicado en una pendiente que exceda el 15%.
14. Los vientos fuertes ponen en peligro la estabilidad del montacargas.

ADVERTENCIA

Si el montacargas se vuelca, no intente salir de la cabina durante el incidente. SU MEJOR PROTECCIÓN ES PERMANECER EN LA CABINA CON EL CINTURÓN AJUSTADO.

Visibilidad

Si la visibilidad al desplazarse hacia adelante no es suficiente debido al gran tamaño de la carga, hágalo en reversa. Asegúrese de tener buena visibilidad.

Revise el área de colocación

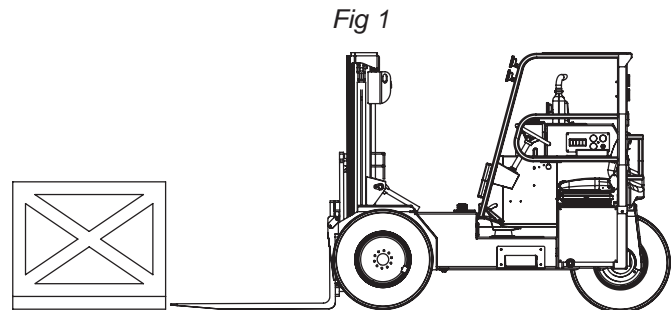
Antes de levantar o colocar una carga, revise el área para asegurarse de que pueda soportar el montacargas y la carga. Asegúrese de que el terreno soportará adecuadamente los estabilizadores del montacargas (utilice madera o metal según sea apropiado para soportar adecuadamente los estabilizadores en terreno blando).

ADVERTENCIA

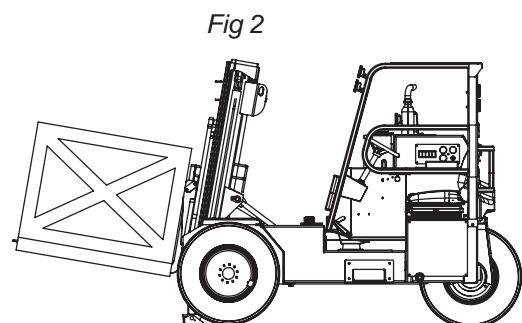
Los estabilizadores deben estar completamente bajos al levantar o colocar una carga.

Levantamiento de una carga desde el suelo

1. Acérquese a la carga lentamente, con el mástil nivelado, alineando el montacargas y las horquillas con la carga. Detenga el montacargas antes de manipular la carga. Utilizando las palancas de control, alinee las horquillas a la altura y ángulo correctos. *Fig. 1.*



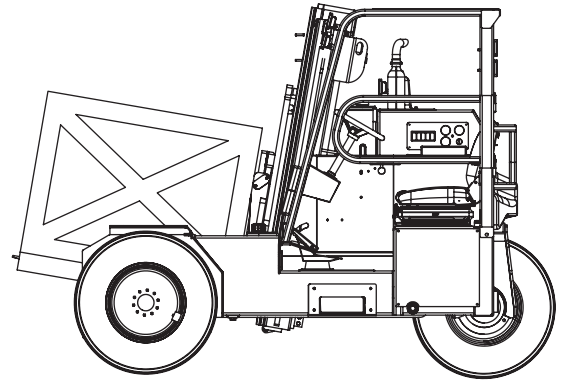
2. Avance lentamente, hasta que las horquillas estén totalmente debajo de la carga y la carga esté contra el respaldo. Baje los estabilizadores. Eleve las horquillas para levantar la carga. Incline el mástil hacia atrás, colocando la carga contra el respaldo. Retraiga el mástil completamente. Suba o baje las horquillas a la posición de transporte, desplace lateralmente el mástil para centrar la carga según sea necesario. Levante los estabilizadores. *Fig. 2.*



Levantamiento de una carga desde el suelo (cont.)

3. Verifique el tráfico y avance o retroceda lentamente; observe su dirección de traslado y la estabilidad de la carga. Viaje con precaución en todo momento. Fig. 3.

Fig 3



Colocación de la carga en el suelo

1. Acérquese lentamente al área de recepción y detenga el montacargas para elevar, bajar o mover lateralmente la carga, según sea necesario. Cuando el montacargas esté adecuadamente alineado, baje los estabilizadores. Extienda el mástil completamente hacia adelante. Baje las horquillas e incline el mástil hacia adelante para colocar la carga.
2. Levante los estabilizadores y prepárese para retroceder. Antes de dar marcha atrás, asegúrese de que las horquillas hayan sido liberadas completamente de la carga y que la carga esté estable. Verifique el tráfico y retroceda con cautela, asegurándose de que las horquillas se mantengan alejadas de la carga al salir. Cuando las horquillas estén liberadas; detenga el montacargas, levante/baje las horquillas y desplace lateralmente el mástil para centrarlo. Verifique el tráfico; proceda con cautela en todo momento.

ADVERTENCIA

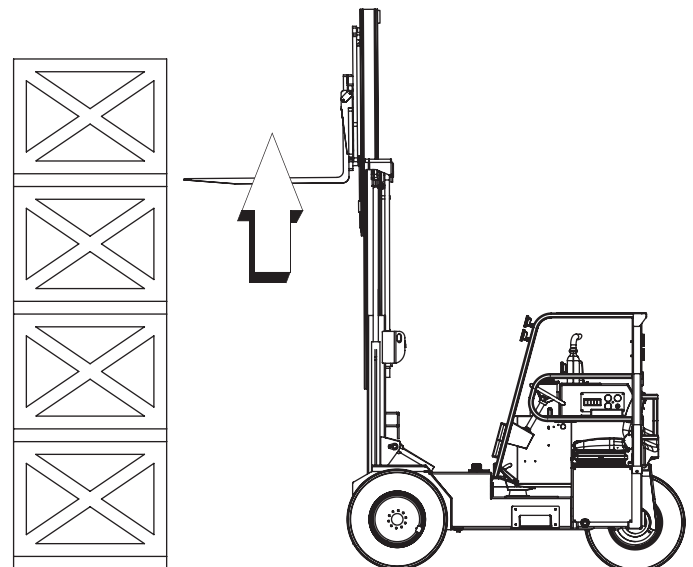
Nunca levante una carga de un andamio ni deposite una carga en uno. Nunca desplace lateralmente una carga elevada. Nunca viaje con una carga elevada.

Levantamiento de una carga elevada

Una carga elevada requiere un manejo especial, sea muy cauteloso. Antes de descargar un camión o remolque, asegúrese que sus ruedas hayan sido bloqueadas para evitar el movimiento durante las operaciones.

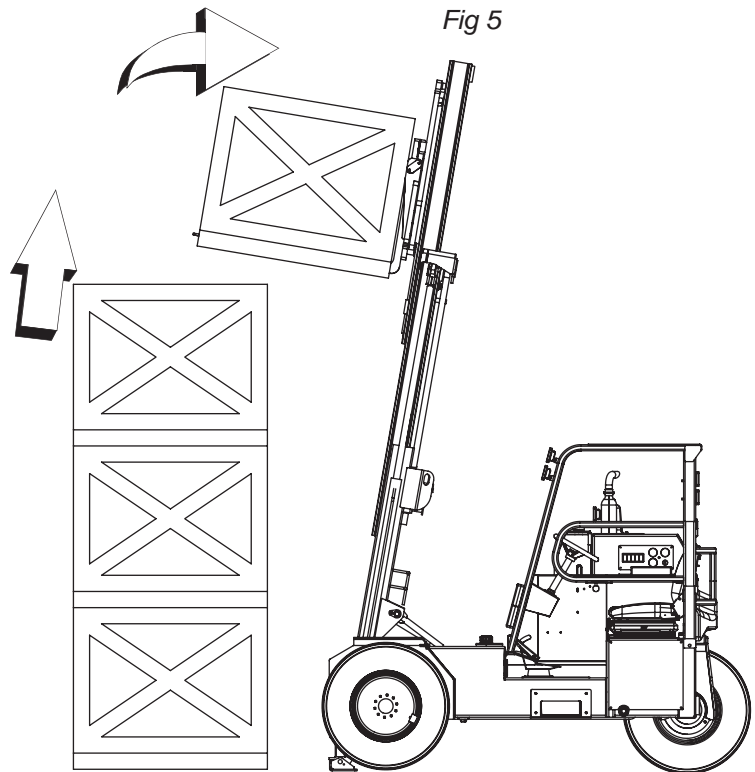
Fig 4

1. Acérquese lentamente a la zona de carga con las horquillas bajas, alineando el montacargas con la carga. Detenga el montacargas; con el mástil completamente extendido, eleve las horquillas hasta la altura de la carga. Utilizando las palancas de control, alinee las horquillas a la altura y el ángulo correctos. Fig. 4.

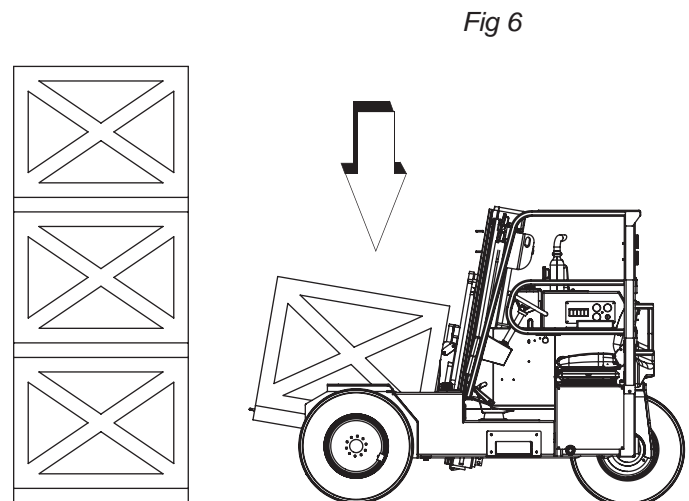


Levantamiento de una carga elevada (cont.)

- Avance lentamente, haciendo los ajustes que sean necesarios, hasta que las horquillas estén totalmente debajo de la carga y la carga esté contra el respaldo. Aplique el freno de estacionamiento y baje los estabilizadores. Eleve las horquillas sólo lo suficiente para levantar la carga. Incline el mástil ligeramente hacia atrás con la parte más pesada de la carga contra el respaldo. *Fig. 5.*



- Retraiga completamente el mástil. Baje la carga a la posición de transporte. Desplace lateralmente el mástil para centrar la carga según sea necesario. Levante los estabilizadores.
- Verifique el tráfico, quite el freno de estacionamiento, ponga el montacargas en reversa y retroceda con cautela. Preste atención a la dirección en la que se traslada y a la estabilidad de la carga. *Fig. 6.*



Colocación de una carga elevada

Una carga elevada requiere un manejo especial, sea muy cauteloso. Antes de cargar un camión o remolque, asegúrese que sus ruedas han sido bloqueadas para evitar el movimiento durante las operaciones.

1. Acérquese lentamente a la zona de carga, alineando el montacargas con la carga. Cuando la carga esté correctamente alineada aplique el freno de estacionamiento y baje los estabilizadores. *Fig. 7.*

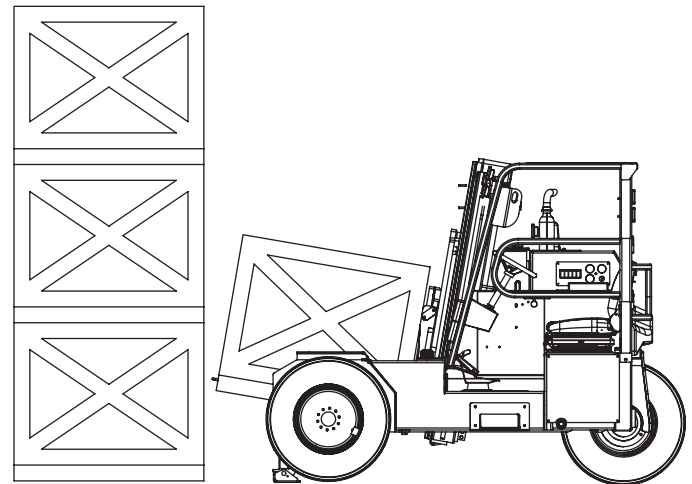


Fig 7

2. Eleve la carga a la altura suficiente para exceder la pila o plataforma. Alinee las horquillas a la altura y ángulo correctos para colocar la carga. Extienda el mástil lentamente hacia adelante realizando los ajustes necesarios hasta que la carga esté correctamente alineada. Baje la carga a una posición estable. *Fig. 8.*

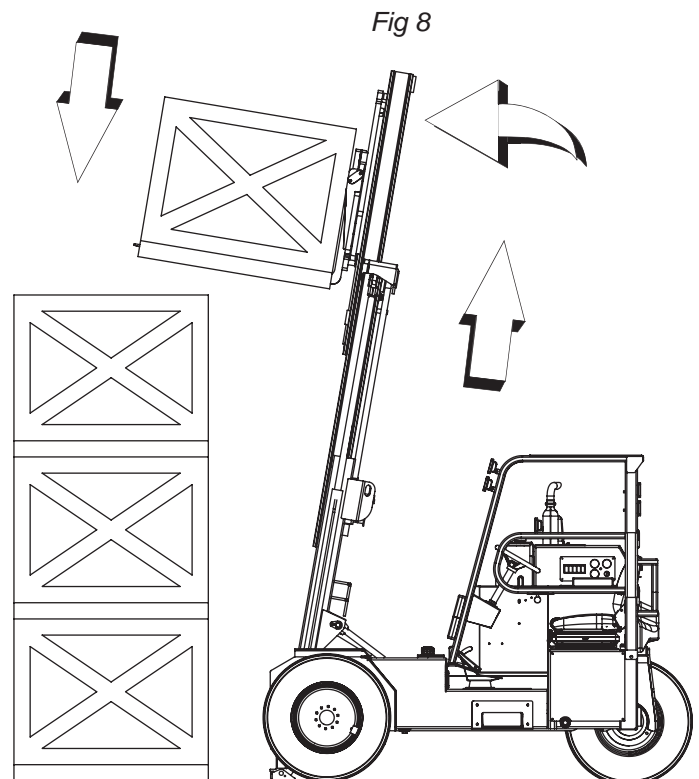


Fig 8

3. Levante lentamente los estabilizadores. Haga los ajustes necesarios a las horquillas para que no toquen la carga. Verifique el tráfico, quite los frenos, coloque el montacargas en reversa y retroceda lentamente.
4. Después de que la carga haya sido liberada, baje las horquillas y desplace lateralmente el mástil para centrarlo, según sea necesario.
5. Verifique el tráfico; retroceda lentamente. Viaje con precaución en todo momento.



Montacargas Bright

BC3-6560

Cargas anchas

Una carga ancha es aquella que no cabe entre las ruedas delanteras y el chasis del montacargas durante el transporte.

1. Acérquese lentamente a la carga, alineando el montacargas y las horquillas con el centro de gravedad de la carga. Cuando las horquillas estén totalmente colocadas, aplique el freno de estacionamiento y baje los estabilizadores.
2. Levante las horquillas para levantar la carga. Inclíne el mástil hacia atrás, colocando la carga contra el respaldo. Levante la carga lo suficiente para dejar libres las ruedas y luego retraiga el mástil. Levante o baje las horquillas para mantener la carga alejada del chasis, desplace lateralmente el mástil para centrar la carga según sea necesario.
3. Levante los estabilizadores. Verifique el tráfico, suelte el freno de estacionamiento, y conduzca lentamente hacia adelante o hacia atrás, prestando atención a la dirección en la que viaje y a la estabilidad de la carga. Desplácese con precaución.

Doble horquillado de una carga

La capacidad del montacargas se reduce cuando las horquillas no pasan totalmente por debajo de una carga. Ocasionalmente, puede ser necesario mover o cambiar la posición de una carga antes de que las horquillas puedan pasar totalmente: a esto se le llama "DOBLE HORQUILLADO" (Double Forking, en inglés). Con el montacargas correctamente posicionado y los estabilizadores bajos, eleve ligeramente la carga; y mueva la carga hacia atrás mediante la retracción del mástil. Baje la carga a una posición estable y extienda el mástil para tomar completamente la carga. No intente nunca levantar o hacer un "doble horquillado" de una carga inestable.

Operación de control de tracción (Interruptor de bloqueo del diferencial)

En condiciones normales de operación, el montacargas utiliza la tracción independiente de todas las ruedas. Sin embargo, bajo ciertas condiciones resbaladizas (tales como fango, grava suelta o una pendiente de concreto mojada), una o más ruedas pueden resbalar o girar libremente, causando pérdida de tracción. Para mantener la tracción, se puede activar el control de tracción, haciendo que las 3 ruedas giren a la misma velocidad. Antes de activarlo, mientras que el montacargas esté detenido o en movimiento, alinee la rueda de dirección trasera con las ruedas delanteras. Oprima y sostenga el interruptor de bloqueo del diferencial para su uso continuo, suelte el interruptor para desactivar el control de tracción. El uso inapropiado del control de tracción en superficies no resbaladizas causa un desgaste excesivo de los neumáticos y puede sobrecalentar la transmisión.

ADVERTENCIA

Asegúrese de que el montacargas esté desplazándose en línea recta antes de activar el control de tracción. No active el control de tracción mientras está doblando una esquina.

MONTAJE DEL MANTACARGAS

A la caja de un camión o remolque

AVISO

El kit de montaje para el montacargas debe ser suministrado o aprobado por Bright Coop Inc.

ADVERTENCIA

Al cargar o descargar el montacargas de la parte trasera de un camión o un remolque plano: Siempre opere los controles de manera lenta y cuidadosa. Las maniobras abruptas pueden lastimar al operador y dañar al montacargas **SIEMPRE USE SU CINTURÓN DE SEGURIDAD DURANTE LA OPERACIÓN DEL MONTACARGAS**

1. Aplique el freno de estacionamiento del camión y/o remolque y bloquee las ruedas.
2. Acérquese al camión o remolque con el mástil del montacargas extendido hacia adelante.
3. Levante y alinee las horquillas del montacargas con el soporte para las horquillas del camión o remolque.
4. Mueva el montacargas hacia adelante insertando completamente las horquillas.
5. Levante la rueda trasera inclinando el mástil hacia atrás.
6. Levante el montacargas bajando las horquillas. *Fig.9.*
7. Retraiga el mástil colocando las ruedas encima de los soportes.
8. Levante el mástil para bajar las ruedas y apoyarlas en los soportes. *Fig. 10.*
9. Apague el motor y retire la llave.
10. Fije las cadenas de seguridad al camión o remolque.
11. Inclina el mástil hacia adelante para liberar la presión hidráulica, permitiendo que el montacargas sea sostenido por las cadenas de seguridad. Asegúrese de que ambas cadenas de seguridad están tirantes y sostienen correctamente al montacargas.
12. Conecte el cable de luz del remolque en el receptáculo provisto para tal fin.

Fig 9

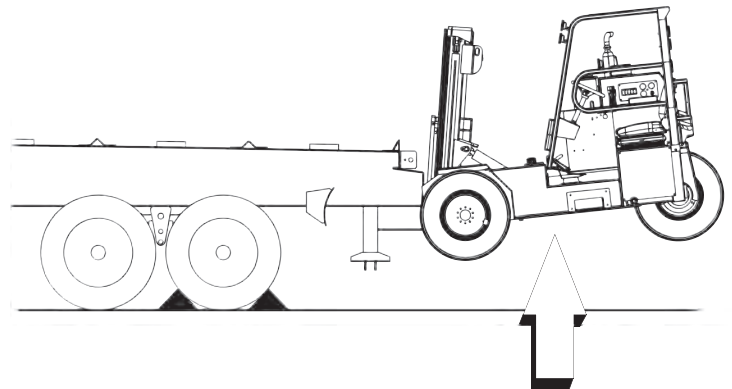
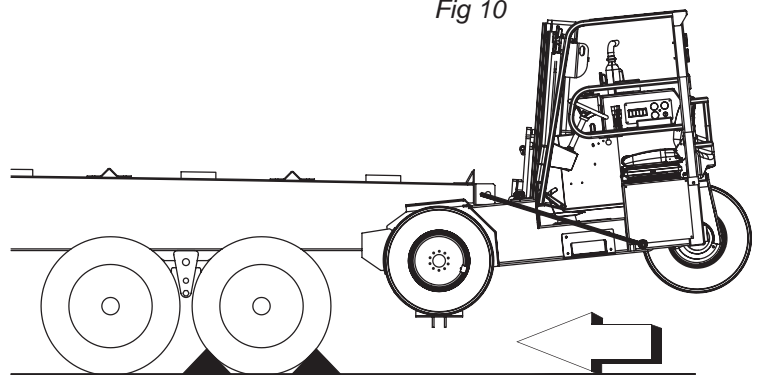


Fig 10



ADVERTENCIA

El montacargas debe ser sostenido por las cadenas de seguridad y **NO** por las horquillas durante el transporte.

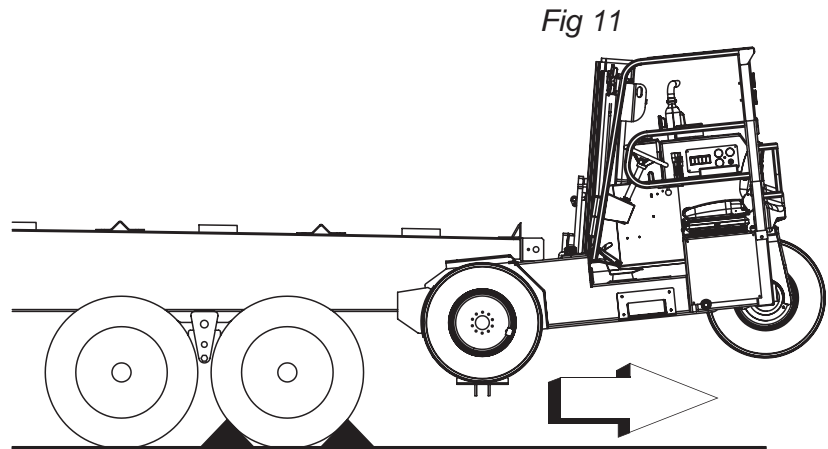
DESCARGA DEL MONTACARGAS

De la caja de un camión o remolque

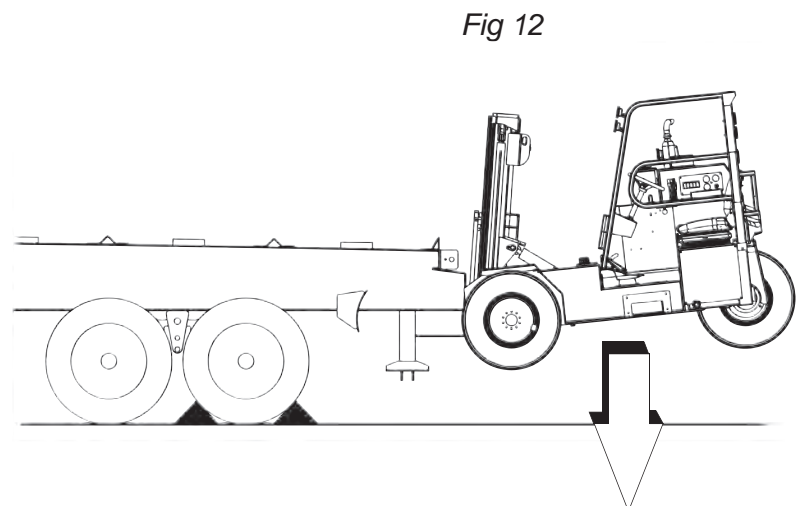
ADVERTENCIA

Al cargar o descargar el montacargas de la parte trasera de un camión o un remolque plano: Siempre opere los controles de manera lenta y cuidadosa. Las maniobras abruptas pueden lastimar al operador y dañar al montacargas **SIEMPRE USE SU CINTURÓN DE SEGURIDAD DURANTE LA OPERACIÓN DEL MONTACARGAS**

1. Aplique el freno de estacionamiento del camión y/o remolque y bloquee las ruedas.
2. Desconecte el cable de luz del remolque.
3. Encienda el motor del montacargas, baje e incline el mástil para aflojar las cadenas de transporte. Asegúrese que la rueda de dirección esté en el sentido correcto.
4. Apague el motor y retire las cadenas de transporte. *Fig. 11.*



5. Encienda el motor y extienda el mástil hasta que las ruedas delanteras del montacargas queden liberadas de los soportes para las ruedas. *Fig. 12.*
6. Baje el montacargas al suelo levantando las horquillas.
7. Incline el mástil hacia adelante para bajar la rueda de dirección.
8. Retroceda lentamente, ajustando las horquillas como sea necesario para liberarlas de su soporte.





Montacargas Bright

BC3-6560

INSTRUCCIONES DE MANTENIMIENTO PARA EL BRIGHT MONTACARGAS

Mantenimiento general

1. Lea el manual del operador cuidadosamente y asegúrese de comprenderlo.
2. Apague el motor cuando sea necesaria una intervención.
3. Use vestimenta adecuada para el mantenimiento del montacargas; evite el uso de alhajas y ropa suelta. Ate y proteja su cabello en caso necesario.
4. Asegúrese de que el área está suficientemente ventilada, si usted necesita encender el montacargas para hacer pruebas.
5. Realice todas las reparaciones de inmediato, incluso si las reparaciones necesarias son de menor importancia.
6. Repare todas las fugas de inmediato, incluso si las fugas son de menor importancia.
7. No intente aflojar uniones, mangueras o cualquier componente hidráulico con el circuito bajo presión.

ADVERTENCIA

El manejo y retiro de las válvulas de contrapeso colocadas en los cilindros para levantar la carga de su montacargas puede ser peligroso. Las válvulas de contrapeso sólo deben ser retiradas cuando los cilindros para levantar la carga están en posición de descanso y el circuito hidráulico ha sido despresurizado. Sólo personal autorizado puede realizar esta operación.

8. No fume ni se acerque al montacargas con una llama cuando el depósito de combustible está abierto o se está llenando.
9. Tenga cuidado de no quemarse con el escape, el radiador, el motor, etc.
10. Apague el interruptor principal.
11. No deje caer objetos metálicos sobre la batería.
12. Al realizar trabajos de soldadura eléctrica en el montacargas, desconecte la batería, luego conecte el cable negativo del equipo directamente a la parte a soldar a fin de evitar que la corriente de alta tensión pase por los cojinetes.

Mantenimiento

1. El mantenimiento y el cumplimiento de las normas respecto del montacargas son obligatorios.
2. Realice el mantenimiento diario.
3. No haga funcionar el motor sin el filtro de aire o con fugas de aceite, agua o combustible.
4. Cambie los cartuchos de los filtros de aire, combustible y fluido hidráulico según sea requerido.

Niveles

1. Utilice los lubricantes recomendados.
2. No llene el tanque de combustible con el motor está en marcha.
3. Sólo llene el depósito de combustible en las áreas específicas para este fin.
4. No llene el tanque de combustible hasta el nivel máximo.

Lavado

1. Limpie el montacargas, o por lo menos el área involucrada, antes de cualquier intervención.
2. Durante el lavado, evite las articulaciones y los componentes y conexiones eléctricas.
3. Limpie en el montacargas cualquier combustible, aceite o exceso de grasa.
4. Proteja todos los componentes susceptibles a ser dañados por el vapor de agua o los agentes de limpieza.

Nota: asegúrese que la eliminación de los materiales del proceso y de las piezas de repuesto sea llevado a cabo con total seguridad y de manera ecológica.



Montacargas Bright

BC3-6560

PROGRAMA DE SERVICIOS

Diariamente o cada 10 horas

1. Revise el nivel de aceite del motor.
2. Revise el nivel de refrigerante del radiador.
3. Revise el nivel de combustible.
4. Revise el nivel del fluido hidráulico.
5. Revise la presión de las ruedas y la tensión de la tuerca de arrastre.
6. Revise la tensión de las cadenas del mástil.
7. Limpie el cartucho exterior del filtro de aire.
8. Limpie el radiador, el enfriador de aceite y las rejillas.

IMPORTANTE

Después de las primeras 50 horas

1. Cambie el aceite del motor.
2. Cambie el filtro de aceite del motor.
3. Cambie el cartucho del filtro de aire.
4. Cambie los filtros de presión y retorno hidráulico.

Cada 50 horas

1. Revise la batería.
2. Engrase el punto de engrase del pivote de la rueda trasera, del cilindro de dirección, del pivote de rotación, de los cojinetes de desplazamiento lateral, del cilindro de desplazamiento lateral y de los estabilizadores.
3. Engrase las almohadillas de desplazamiento del tren de rotación y los canales del tren horizontal.
4. Vaciar el separador de agua / combustible.
5. Revise las mangueras de combustible y las bandas de sujeción.

Cada 200 horas

1. Cambie el aceite del motor y el filtro de aceite.
2. Compruebe el elemento separador de aceite del motor y cámbielo si es necesario.
3. Cambie el elemento exterior del filtro de aire e inspeccione el filtro de aire interior, reemplazar si esta sucio.

ADVERTENCIA

Nunca limpie el filtro interior.

4. Revise y ajuste la tensión de la correa del alternador.
5. Inspeccione la tapa de respiración del depósito hidráulico.
6. Revise la línea de admisión de aire.
7. Revise las mangueras del radiador.

Cada 400 horas (O una vez al año si el montacargas no ha llegado a las 400 horas de funcionamiento)

1. Cambie el filtro de combustible y los cartuchos separadores de agua / combustible.
2. Cambie los filtros de presión y retorno hidráulico.
3. Revise el desgaste de las horquillas.

Cada 800 horas

1. Cambie el fluido hidráulico.
2. Reemplace la tapa de respiración del depósito hidráulico.
3. Cambie el líquido del radiador.
4. Vacíe y limpie el tanque de combustible.
5. Limpie y lubrique el gabinete de la rueda de pivote.
6. Cambie el elemento interno del filtro de aire.
7. Revise el desgaste de las almohadillas de empuje lateral del tren del mástil y ajústelas en caso necesario.
8. Revise el desgaste de las almohadillas de empuje del rotador y ajústelas en caso necesario.
9. Revise el desgaste de las almohadillas de empuje del tren horizontal y ajústelas en caso necesario.
10. Revise el desgaste de los rodillos del mástil.
11. Revise los montajes del motor.
12. Revise la holgura de la válvula del motor.
13. Revise los trenes.
14. Revise el estado de ruedas y neumáticos.
15. Revise la velocidad de los movimientos hidráulicos.
16. Revise los accesorios de los trenes.
17. Cambie la banda del abanico.

Cada 1500 horas

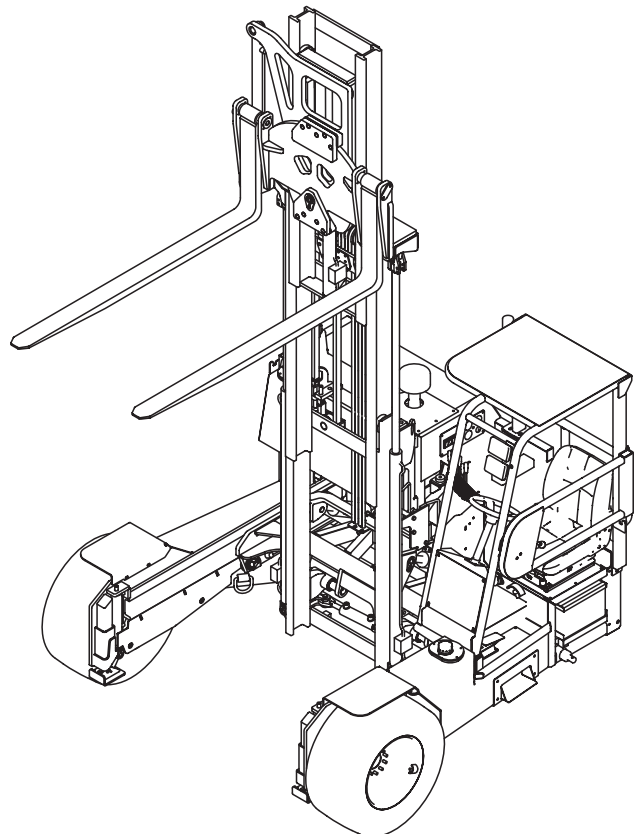
1. Revise el enfriador EGR del motor.
2. Revise la válvula PCV del motor.

Cada 2400 horas

1. Revise las presiones y tasas de descarga del circuito hidráulico.
2. Revise las presiones del circuito de transmisión hidrostática.
3. Asegúrese de que la válvula de corte de la transmisión/ freno de estacionamiento esté en buenas condiciones de funcionamiento.
4. Revise el sistema de dirección.
5. Limpie el depósito del fluido hidráulico.
6. Revise los inyectores de combustible del motor.
7. Revise y limpie el radiador.
8. Revise la bomba de agua y el termostato.
9. Revise el montaje del mástil y de los trenes.
10. Revise el turbo del motor.

Cada 4800 horas

1. Revise el pivote del motor de la rueda trasera.
2. Revise las fijaciones y los cojinetes de la dirección.
3. Revise el alternador y el motor de arranque.





Montacargas Bright

BC3-6560

COMBUSTIBLES Y LUBRICANTES

Combustible

La calidad del combustible es un factor importante para obtener un desempeño confiable. Los combustibles satisfactorios adecuados para el motor deben ser limpios, completamente destilados, bien refinados y no corrosivos para los componentes del sistema de combustible. Asegúrese de usar combustibles de calidad conocida.

Especificaciones del Combustible Diesel

Utilice combustible de grado N° 2-0, tal como está definido por la ASTM D 0975 para combustibles diésel. El combustible de grado N° 2-0 es más pesado y rinde más por galón. Use combustible que tenga menos de 0.5% de azufre, preferiblemente menos de 0.05%. Para obtener la máxima vida útil del filtro, los sedimentos y el agua no deben exceder de 0.10%.

Almacenamiento de Combustible

La importancia del almacenamiento adecuado del combustible puede ser destacada en exceso. Para mantener el sistema de combustible en su estado más eficiente, mantenga el combustible libre de toda suciedad y otras materias extrañas. Evite almacenar el combustible durante un período de tiempo largo. Llene el tanque al final de las operaciones de cada día para evitar que se acumule la humedad y se congele el sistema de combustible.

Lubricantes

El uso eficaz de aceites y grasas lubricantes es quizás el paso más importante para mantener bajos los costos de mantenimiento, una larga vida útil del montacargas y un servicio satisfactorio. Utilice sólo los lubricantes especificados en esta sección; aplíquelos en los intervalos especificados y de acuerdo con las instrucciones de la sección de lubricación y servicio periódico.

Mezcla de Lubricantes

En general, evite mezclar diferentes marcas o tipos de aceites o grasas. Los fabricantes de aceites y grasas mezclan aditivos en sus aceites para cumplir con ciertas especificaciones y requisitos de rendimiento. Mezclar diferentes aceites puede interferir con el buen funcionamiento de estos aditivos y degradar el rendimiento del lubricante.

Dónde Revisar el Nivel de los Fluidos

Nivel del fluido hidráulico

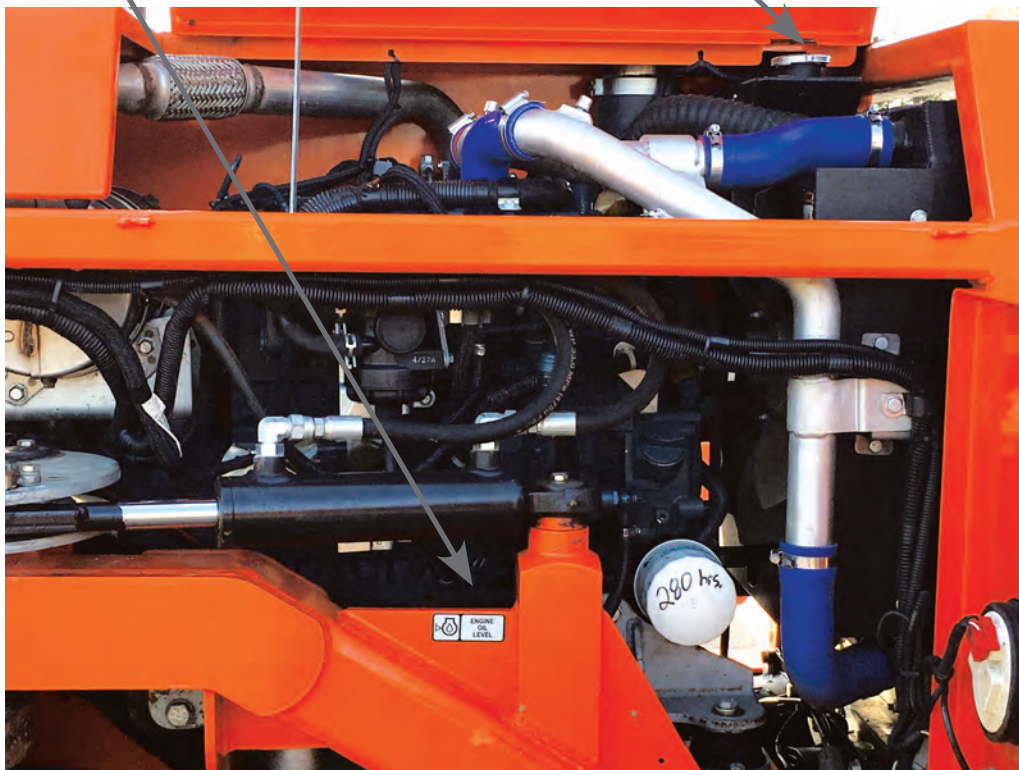


Nivel del combustible diésel



Revisar el nivel de aceite del motor

Revisar el nivel del refrigerante



CAPACIDAD

ITEM	CAPACITY	SUGGESTED
Motor	2.51 galones	CJ-4
Depósito de fluido hidráulico	22 galones	Fluido hidráulico ISO-46
Engrase general	Según sea necesario	Lubricante semi-sintético con molibdeno (5%)
Todas las almohadillas de empuje	Según sea necesario	Lubricante semi-sintético con molibdeno (5%)
Pivote de acoplamiento de la dirección	Según sea necesario	Lubricante semi-sintético con molibdeno (5%)
Circuito de refrigeración	2.5 galones (aprox.)	Agua y anticongelante*
Cadenas del mástil	Según sea necesario	Aceite de motor no detergente 30 Wt.
Tanque de combustible	25 galones	Diésel N° 2 (ultra bajo azufre)

*Durante el verano se puede utilizar agua y limpiador para radiadores

NÚMEROS DE PARTE PARA FILTROS BRIGHT



097-20971
Combustible
del motor
Separador de agua



097-20965
Elemento de filtro
de aire exterior



097-20966
Elemento de filtro
de aire interno



230-00031-1
Pequeño filtro de
aceite hidráulico



097-01166
Filtro separador
de aceite



097-20287
Presión
hidráulica
Filtro de aceite



230-00060
Retorno
hidraulico
Filtro de aceite



097-20970
Motor Kubota
Filtro de
combustible



097-00131
Kubota Engine
Filtro de aceite



097-20736
En línea
Filtro de
combustible



Montacargas Bright

BC3-6560



Bright Coop Inc.

803 W. Seale St. • Nacogdoches, TX 75964

Teléfono: (936) 564-8378 • Fax: (936) 564-3281

Correo electrónico: info@brightcoop.com

MONTACARGAS BRIGHT

GARANTÍA Y LIMITACIONES DE RESPONSABILIDAD

COBERTURA PROVISTA

Bright Coop, Inc. (BCI) garantiza que todas las partes del montacargas fabricadas por BCI están libres, bajo el uso y servicio normales, de defectos en materiales y mano de obra. Esta garantía se extiende solamente al comprador original y continuará por un período de 1 año (o 2.000 horas), lo que ocurra primero, sobre todos los componentes desde la fecha de venta al comprador original o la fecha de uso original, lo que ocurra primero. Además, Kubota garantiza su motor por un período de 2 años/2.000 horas, lo que ocurra primero. Cualesquiera de estas partes que sean comprobadas como defectuosas dentro del período de la garantía pueden ser, a elección de BCI, reparadas o reemplazadas, a condición de que tales partes defectuosas sean devueltas, porte pagado, a la fábrica de BCI en Nacogdoches, Texas, y que, además, se notifique por escrito acerca de dichas piezas defectuosas a BCI a la dirección arriba indicada dentro de los 10 días del descubrimiento de tales defectos.

La obligación de BCI al comprador bajo esta garantía se limita a la reparación o el reemplazo de las piezas defectuosas, lo cual cubrirá los gastos tanto por los repuestos como por la mano de obra, utilizando piezas de repuesto de BCI. La reparación o sustitución de acuerdo con esta garantía constituirá el cumplimiento de todas las obligaciones de BCI.

Las reparaciones o los reemplazos serán realizados por un técnico calificado de BCI o pueden ser reparadas o reemplazadas por el mecánico del comprador original, siempre y cuando el trabajo o el reemplazo se realice de acuerdo con las recomendaciones de BCI. Si la(s) reparación(es) o el(los) reemplazo(s) se realiza(n) por el mecánico del comprador original, BCI reembolsará al comprador original por una cantidad razonable de mano de obra involucrada, a razón de \$30.00 moneda de los EE.UU. por hora, si el comprador original o un empleado autorizado por el comprador original envía por correo o por fax una copia de este formulario que incluya la fecha de compra original, el número de serie y modelo de la unidad a reparar, una descripción del defecto, la parte que lo causó, la naturaleza del defecto y obtenga una Autorización de Reparación de BCI.

ITEMS NO CUBIERTOS POR ESTA GARANTÍA

1. Las piezas no fabricadas por BCI no están cubiertas por esta garantía y cualquier garantía sobre tales piezas se limita a la extendida por el fabricante de equipos original de dichas piezas.
2. BCI no ofrece garantía alguna con respecto a los neumáticos, cámaras y baterías.
3. Esta garantía no se aplicará:
 - a. Si el montacargas ha sido objeto de uso indebido, abuso, mal uso, negligencia, incendio u otro accidente;
 - b. Si se han utilizado piezas no fabricadas o suministradas por BCI en relación con el montacargas, si a juicio exclusivo de BCI dicho uso afecta su rendimiento o su confiabilidad;
 - c. Si el montacargas ha sido alterado o reparado de una manera que, a juicio exclusivo de BCI, afecta su rendimiento o su confiabilidad;
 - d. A cargos incidentales tales como servicio de auxilio, tiempo de viaje, gastos de entrega, fluido hidráulico, lubricantes, combustibles o anticongelante;
 - e. A los servicios de mantenimiento normales (tales como ajustes de motor, limpieza del sistema de combustible), al reemplazo normal de artículos de servicio (por ejemplo, filtros), o al deterioro normal debido al uso o la exposición (tales como cinturones y acabado exterior);
 - f. A menos que todos los dispositivos y protectores de seguridad suministrados con el equipo estén correctamente instalados y utilizados en esta operación y a menos que se cumplan todos los procedimientos operativos y las instrucciones de mantenimiento según lo establecido en los manuales de instrucción y de operación suministrado por BCI;
 - g. A cualquier montacargas cuyo número de serie haya sido alterado, dañado o eliminado, o si hay mora en el pago del montacargas.



Montacargas Bright

BC3-6560

AVISO LEGAL SOBRE GARANTÍAS IMPLÍCITAS Y DAÑOS RESULTANTES

NO SE EXPRESA NINGUNA GARANTÍA QUE CUBRA EL MONTACARGAS FABRICADO POR BCI QUE NO SEA LA ESTABLECIDA MÁS ARRIBA, Y LA GARANTÍA POR ESCRITO SUSTITUYE A TODAS LAS GARANTÍAS IMPLÍCITAS, INCLUYENDO CUALQUIER GARANTÍA IMPLÍCITA DE COMERCIALIZACIÓN O IDONEIDAD PARA UN PROPÓSITO EN PARTICULAR. En ningún caso, por lo tanto, BCI será responsable por daños o reclamaciones especiales, incidentales o consecuentes, incluyendo (pero sin limitación) los daños o reclamaciones debidos a la pérdida de utilidades, pérdida de tiempo, lesiones personales u otros gastos que resulten o no, directa o indirectamente, de defectos reclamados cubiertos por la garantía escrita más arriba. Ninguna persona está autorizada a realizar declaraciones en nombre de BCI que se extiendan más allá de las expresadas en este documento.

DERECHO A REALIZAR CAMBIOS EN EL DISEÑO

Bright Coop, Inc. se reserva el derecho a realizar cambios en el diseño y otros cambios en sus productos en cualquier momento y periódicamente sin previo aviso y sin incurrir en ninguna obligación con respecto a ningún producto previamente ordenado de la empresa, vendido o despachado por la misma.

DISPOSICIONES GENERALES

Todas las notificaciones, demandas, reclamaciones u otras comunicaciones con respecto a esta garantía por escrito deberán dirigirse a Bright Coop, Inc., 803 W. Seale, Nacogdoches, Texas, 75964.

Esta garantía se interpretará y regirá por las leyes del Estado de Texas.

Acepto haber leído y acepto esta garantía y limitación de responsabilidad y que he sido instruido en la operación segura del Bright Montacargas y que se me ha entregado un manual de operación relacionado con el Bright Montacargas que he comprado.

Máquina Modelo No: _____

Máquina No. de Serie: _____

Fecha de Venta: _____

Nombre del Comprador: _____

Empresa del comprador: _____

Dirección del comprador: _____

Dirección comercial del comprador: _____

Ciudad: _____ Estado: _____ Código Postal : _____

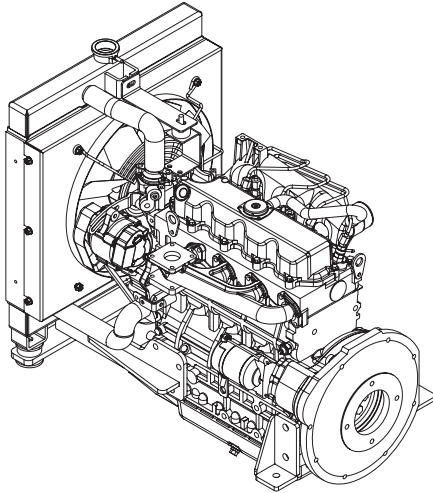
Firma de aceptación del comprador o de su agente autorizado

DESCRIPCIÓN DEL DEFECTO, LA PARTE QUE LO CAUSÓ Y RESUMEN DE LA NATURALEZA DE LA REPARACIÓN O EL REEMPLAZO



Montacargas Bright

BC3-6560



INFORMACIÓN SOBRE LA GARANTÍA DEL MOTOR DIESEL KUBOTA



IMPORTANTE LEA ESTA PÁGINA Y LAS PÁGINAS 42 Y 43

Su Motor KUBOTA está garantizado directamente por KUBOTA ENGINE AMERICA CORPORATION. Para obtener reparaciones bajo la garantía, usted deberá entregar el producto, junto con el comprobante de compra, a un Distribuidor o Concesionario Autorizado de Kubota Industrial Engine, siendo los gastos de cargo de usted.

Para toda información sobre la operación, el servicio y el mantenimiento del Motor Kubota, por favor consulte el Manual del Operador del Motor Diésel Kubota.



KUBOTA ENGINE AMERICA CORPORATION

GARANTÍA LIMITADA DE LOS MOTORES INDUSTRIALES

Y DE LAS PIEZAS DE REEMPLAZO VIGENTE A PARTIR DEL 1 DE ENERO DE 2009

NUESTRA GARANTÍA PARA USTED

Le garantizamos a usted, el comprador original, que todas las piezas (excepto las que se mencionan a continuación) de su nuevo motor industrial Kubota y las piezas de reemplazo adquiridas a un distribuidor autorizado de motores industriales Kubota o a un distribuidor del fabricante de equipos originales (OEM) de los Estados Unidos estarán libres de defectos en los materiales o la mano de obra durante los siguientes periodos.

1. Motores industriales durante 2 años o 2000 horas, lo que ocurra primero.
2. Garantía para componentes principales (Major Component Warranty, MCW) para motores industriales, 3 años o 3000 horas, lo que ocurra primero, para las piezas únicamente.

La garantía para componentes principales cubre bloque de cilindros, tapa de cilindros, eje del cigüeñal, árbol de levas, engranajes, pistones, bielas, volante, caja del volante, bomba de aceite, poleas, regulador, múltiple de admisión, cárter de aceite, distribuidor de encendido.

La garantía para componentes principales no cubre anillos, cojinetes, bomba de agua, ningún componente eléctrico, componentes del tren de válvulas, piezas accesorias, sellos, juntas, carburadores, múltiple de escape, mangueras, ninguno de los componentes del sistema de combustible, silenciador, ningún filtro, radiador, ventilador, correas, termostato, bujías, bombas de transferencia de combustible.

3. Piezas de reemplazo durante 1 año.

LO QUE HAREMOS

A nuestra elección, repararemos o reemplazaremos cualquier pieza que esté cubierta por la presente garantía que resulte defectuosa, funcione incorrectamente o que de alguna otra manera incumpla la presente garantía en condiciones normales de uso y servicio durante el plazo de la garantía, sin cargo para las piezas o la mano de obra. (Piezas únicamente para la garantía para componentes principales)

LO QUE DEBE HACER PARA OBTENER EL SERVICIO DE LA GARANTÍA

A fin de obtener las reparaciones que se incluyen en la garantía, debe enviar a su cargo el producto, junto con el comprobante de la compra, a un distribuidor autorizado de motores industriales Kubota. Los nombres y las direcciones de tales distribuidores autorizados de motores industriales Kubota se pueden encontrar en internet en www.kubotaengine.com, llamando al 1-800-532-9808 o comunicándose con:

Kubota engine america corporation
505 Schelter Road
Lincolnshire, IL 60069

LO QUE NO CUBRE LA GARANTÍA

Esta garantía no cubre:

1. Daño, funcionamientos incorrectos o averías producidos por accidentes, uso inadecuado, uso incorrecto, modificaciones, alteraciones, servicio inadecuado o no realización del servicio de mantenimiento requerido.
2. Servicios normales de mantenimiento o reemplazo normal de artículos de mantenimiento como bombillas, enchufes del precalentador, indicador y bobinas de resistencia, elementos de filtro, lubricantes, aceites, bujías, refrigerante o correas.
3. Instalación de las piezas de reemplazo, a menos que las haya instalado originalmente un distribuidor autorizado de motores industriales Kubota.
4. Piezas Kubota no genuinas.
5. Cualquier motor dañado por el uso de éter o de algún producto de ayuda de arranque, o de una solución de más de 50/50% de anti-congelante y agua.
6. El desgaste de la tobera de inyección o cualquier daño al motor producido al desgastarse o trabarse la tobera de inyección.
7. Daño causado por el ingreso de agua al motor por cualquier motivo.
8. Productos usados.
9. Cualquier daño causado por sobrecalentamiento que no se produjo como resultado directo de un defecto en los materiales o la mano de obra.
10. Cualquier motor cuya aplicación no se haya revisado.

PROCESO DE REVISIÓN DE LA APLICACIÓN: El proceso de revisión de la aplicación de Kubota Engine America (KEA) tiene como objetivo ayudar al fabricante de equipos originales (OEM) con la instalación del motor a fin de optimizar la funcionalidad/el rendimiento del equipo OEM para mantener la durabilidad, la satisfacción del cliente y reducir las averías cubiertas por la garantía y los gastos. Kubota no puede anticipar todas las posibles averías y problemas que pueden producirse con el motor o el producto en el campo durante una revisión de la aplicación. Por lo tanto, la prueba de durabilidad de la máquina realizada por el OEM en una instalación de prueba y/o en campo es crítica para reducir aún más la posibilidad de que se produzcan averías en el campo.

La cantidad de tiempo dedicado por KEA a la revisión de una aplicación es significativamente inferior a la cantidad de tiempo que dedican los ingenieros de diseño del OEM a la aplicación. Por este motivo, la revisión de la aplicación realizada por KEA tiene como objetivo identificar los problemas que están dentro del alcance de la prueba de revisión de la aplicación y en algunos casos recomendar soluciones posibles. La revisión de la aplicación de KEA nunca debe reemplazar el diseño adecuado y la evaluación del producto final por parte del OEM.

La revisión de la aplicación de KEA no extiende de ninguna manera expresa o implícita ninguna cobertura de garantía adicional además de lo establecido en el Acuerdo de garantía limitada de Kubota. Kubota y sus compañías subsidiarias no son responsables por (incluyendo a modo de ejemplo): averías producidas por cualquier componente que no haya sido fabricado por Kubota, información falsa o incorrecta suministrada por un OEM, cualquier cambio realizado sin el conocimiento de KEA, cualquier decisión del OEM de no seguir las recomendaciones de KEA o cualquier problema o deficiencia relacionados con la aplicación que pudieran surgir que no se detectaron con la revisión limitada de la aplicación realizada por KEA o la prueba de durabilidad del OEM.

ESTA ES LA ÚNICA GARANTÍA EXPRESA QUE SE EXTIENDE PARA NUESTROS PRODUCTOS

No nos hacemos cargo ni autorizamos a ninguna persona a que asuma ninguna otra garantía expresa por nosotros. El distribuidor de Kubota no tiene autoridad para actuar en representación o hacer promesas en nombre de Kubota Engine America Corporation ni para modificar las condiciones o limitaciones de esta garantía de ninguna manera.

LIMITACIONES DE NUESTRA RESPONSABILIDAD EN RELACIÓN CON LOS PRODUCTOS ADQUIRIDOS Y UTILIZADOS PARA USO PERSONAL, FAMILIAR O DEL HOGAR.

Nuestra responsabilidad consiste en reparar o reemplazar las piezas defectuosas como se estableció precedentemente. No seremos responsables por ningún otro gasto, pérdida o inconveniente que deba enfrentarse como resultado de la compra, el uso, el funcionamiento incorrecto o la condición defectuosa de nuestros productos. TODA GARANTÍA IMPLÍCITA INCLUIDAS LAS GARANTÍAS DE COMERCIABILIDAD Y ADECUACIÓN PARA UN PROPÓSITO PARTICULAR TENDRÁ UNA DURACIÓN LIMITADA AL PLAZO ESTABLECIDO PRECEDENTEMENTE Y EN NINGÚN CASO SEREMOS RESPONSABLES POR NINGÚN DAÑO ESPECIAL, INCIDENTAL O RESULTANTE DE NINGÚN TIPO. En algunos estados no se permiten las limitaciones a la duración de las garantías implícitas o la exclusión o limitación de los daños incidentales o resultantes, por lo que las limitaciones o exclusiones precedentes pueden no ser de aplicación para usted. La presente garantía le otorga derechos legales especiales y puede tener otros derechos que varían de un estado a otro.

SE LIMITA NUESTRA RESPONSABILIDAD EN RELACIÓN CON LOS PRODUCTOS UTILIZADOS PARA ALQUILER O PARA USOS COMERCIALES, INDUSTRIALES O AGRÍCOLAS.

La presente garantía sustituye todas las demás garantías, expresas o implícitas, y cualquier otra obligación o responsabilidad de nuestra parte. SE EXCLUYE TODO TIPO DE GARANTÍA IMPLÍCITA DE COMERCIABILIDAD Y DE ADECUACIÓN PARA UN PROPÓSITO PARTICULAR. Nuestra responsabilidad por todas las pérdidas y todos los daños que surjan por cualquier motivo, incluida nuestra negligencia, daños reclamados o mercancías defectuosas, ya sea que tales defectos se puedan descubrir o estén latentes, estará limitada a la reparación o el reemplazo de las piezas defectuosas como se estableció precedentemente. EN NINGÚN CASO SEREMOS RESPONSABLES POR PÉRDIDA DE USO, PÉRDIDA DE GANANCIAS, PÉRDIDA O DAÑOS A OTROS BIENES, INCONVENIENTES, PÉRDIDA COMERCIAL U OTROS DAÑOS ESPECIALES, INCIDENTALES O RESULTANTES DE NINGÚN TIPO.



Montacargas Bright

BC3-6560

ELEMENTOS NO CUBIERTOS POR LA GARANTÍA

1. Los productos que-hayan-sido sometido a alteraciones, modificaciones, negligencia, reparaciones no autorizadas o a productos diésel o gasolina no revisados para su aplicación por escrito por KEA o el Distribuidor que vende el motor.
2. Los productos que no sigan siendo propiedad de los compradores originales.
3. Los productos que sufran daños durante el envío o el flete, desgaste normal, accidentes, mantenimiento inadecuado o protección inadecuada durante su almacenamiento.
4. Los costos de alquiler, gastos de transporte de los productos al distribuidor o concesionario de servicio más cercano y todas las comunicaciones telefónicas y por fax.
5. Las reparaciones necesarias para corregir las fallas debido a servicios incorrectos previos a la-entrega incorrecta y la inspección por el Distribuidor o Concesionario vendedor.
6. Las reparaciones necesarias debido a las adiciones o modificaciones no recomendadas por Kubota Engine America.
7. La limpieza a presión o a vapor de los productos, la limpieza del sistema de combustible, el lavado del sistema de refrigeración o los productos químicos solventes utilizados para limpiar el sistema de lubricación mientras el motor está en marcha o intacto.
8. Durante una reparación cubierta por la garantía, el refrigerante, el aceite, los filtros de aceite, filtros de combustible, correas de transmisión y partes consumibles similares que pudieran ser reemplazadas. La sustitución de estas partes es la responsabilidad de los propietarios a menos que la parte haya sido dañada o no pueda ser reutilizada como resultado directo de la falla bajo garantía.
9. Las piezas eléctricas tales como lamparillas, bujías de encendido, bujías incandescentes, bobinas de indicadores o resistencias, o cualesquiera partes dañadas por soldaduras o arranque con puente.
10. Cualquier reparación repetida o retorno al taller resultante de malas tareas de servicio o un diagnóstico incorrecto o pruebas inadecuadas. La sustitución de piezas como método de prueba y error no será considerada para el procesamiento de la garantía.
11. Los daños causados por aceite contaminado, intervalos incorrectos de cambios de aceite, viscosidad inadecuada o tipo inadecuado de aceite, combustible equivocado, el uso de ayudas para arrancar, el uso de anticongelante-agua en una solución mayor o menor a 50/50% o la corrosión o acumulación de residuos en el motor, el sistema de refrigeración y el sistema de combustible.
12. La sustitución del montaje completo, a menos que haya sido autorizado previamente por KEA. Lo siguiente debe ser desmontado, probada y reparado en caso necesario: bombas de inyección, inyectores, arrancadores, alternadores, distribuidores de encendido, sistemas turbo y motores completos.
13. Gastos de flete por piezas de repuesto.
14. Piezas de repuesto que no sean vendidas por Kubota Engine America (KEA) o su Distribuidor o Concesionario de Servicio autorizado.
15. Cualquier repuesto o servicio de bombas de inyección, inyectores, o puntas de inyectores, la revisión y el reemplazo de partes que fallan debido a impurezas en el sistema de combustible, el mantenimiento de rutina del sistema de combustible y el reemplazo del filtro de combustible.
16. Los daños provocados por el ingreso de agua al motor por la causa que sea.
17. Desastres naturales, tales como incendios, inundaciones, etc.
18. Ajustes de cualquier tipo.
19. Cualquier daño causado por no corregir inmediatamente un problema conocido o sospechado en un motor o accesorio KEA.
20. Cualquier daño causado por un fallo de un-accesorio o parte montada que no sea de KEA.
21. Cualquier daño causado por el sobrecalentamiento que no sea el resultado directo de un defecto en los materiales o la mano de obra.
22. El exceso de tiempo de diagnóstico y/o de limpieza no será pagado bajo la garantía.



Montacargas Bright

BC3-6560

SOLUCIÓN DE PROBLEMAS





Montacargas Bright

BC3-6560

Solución de problemas del motor

Las páginas siguientes enumeran las dificultades que posiblemente pudieran encontrarse y sus posibles soluciones. Si después de intentar correctamente las soluciones enumeradas todavía subsiste la dificultad, consulte a su distribuidor. Él ha sido capacitado y posee la más reciente literatura técnica y los equipos para hacer volver a su montacargas en condiciones de operación.

ES DIFÍCIL ARRANCAR EL MOTOR O NO ARRANCA

Posible Causa	Posible Solución
Sin combustible	Llene el tanque con el combustible adecuado.
La palanca del cebador de la bomba de	Mueva la palanca hasta su punto más bajo
.....	transferencia de combustible está hacia arriba.
Poca energía de salida en la batería.....	Revise el nivel del electrolito y la gravedad específica
.....	de cada celda. Recárguela si es necesario.
Resistencia excesiva en el circuito de arranque	Limpie y apriete todas las conexiones de la batería y
.....	del motor de arranque.
La viscosidad del aceite del cárter es muy alta.....	Drene el cárter y llénelo con aceite de viscosidad adecuada.
Combustible incorrecto.....	Consulte las especificaciones del combustible y use el tipo
.....	adecuado de combustible para las condiciones de operación.
Agua, suciedad o aire en el sistema de combustible	Drene, enjuague, llene y purgue el sistema.
Filtro de combustible obstruido	Reemplace el elemento filtrante y purgue el sistema.
El disyuntor del cableado está abierto.....	Apague las luces y los interruptores de arranque durante un
.....	minuto. (El disyuntor se reseteará por sí solo).
Boquillas de inyectores sucias o defectuosas.....	Consulte a su distribuidor.
Filtro de la tubería de combustible sucio u obstruido	Drene el tanque, retire la válvula de cierre y limpie el filtro.

DETONACIÓN EN EL MOTOR

Posible Causa	Posible Solución
Insuficiente aceite en el cárter.....	Añada el aceite adecuado.
Suciedad en el sistema de entrada de aire	Revise si el filtro de aire está obstruido.
Bomba de inyección fuera de punto.....	Controle el punto y consulte al distribuidor para obtener servicio.
Boquilla del inyector de combustible trabada.....	Consulte a su distribuidor.



Montacargas Bright

BC3-6560

EL MOTOR FUNCIONA IRREGULARMENTE O SE APAGA FRECUENTEMENTE

Posible Causa	Posible Solución
Baja temperatura del refrigerante.....	Si el indicador de temperatura del agua no está dentro del rango normal.
Filtro de combustible obstruido.....	Reemplace el elemento filtrante y purgue el sistema.
Agua, suciedad o aire en el sistema de combustible	Drene, enjuague, llene y purgue el sistema.
Boquillas de los inyectores sucias o defectuosas	Consulte a su distribuidor.

TEMPERATURA DEL MOTOR POR DEBAJO DE LO NORMAL

Posible Causa	Posible Solución
Termostato defectuoso	Reemplácelo por un termostato nuevo.
Indicador de temperatura defectuoso.....	Haga que el personal de servicio reemplace el indicador si está defectuoso Revise el agua con un termómetro.

EL MOTOR NO TIENE POTENCIA

Posible Causa	Posible Solución
Sobrecarga del motor	Reduzca la carga o cambie a una velocidad más baja.
La viscosidad del aceite del cárter es muy alta	Drene el cárter y llénelo con aceite de viscosidad adecuada.
Restricción en la entrada de aire.....	Limpie el filtro de aire.
Filtro de combustible obstruido.....	Reemplace el elemento filtrante y purgue el sistema.
Operación a altitudes elevadas	El motor pierde potencia a altitudes elevadas. Utilice el tipo de combustible apropiado para altitudes elevadas.
El motor se sobrecalienta	Vea “El motor se sobrecalienta” más adelante.
Calibración inadecuada de las válvulas	Vea “Ajuste de los taqués de las válvulas del motor”.
Boquillas de los inyectores sucias o defectuosas	Consulte a su distribuidor.
Bomba de inyección fuera de punto.....	Controle el punto y consulte al distribuidor para obtener servicio.
Obstrucción en el sistema de combustible.....	Vea “Sistema de combustible”.



Montacargas Bright

BC3-6560

EL MOTOR SE SOBRECALIENTA

Posible Causa	Posible Solución
Bajo nivel de refrigerante.....	Llene el radiador de refrigerante hasta el nivel apropiado.
.....	Revise las mangueras y el radiador en busca de fugas o
.....	conexiones sueltas.
El panel o la rejilla del radiador están sucios	Retire todos los cuerpos extraños del exterior del panel y la
.....	rejilla del radiador.
Banda del alternador floja o defectuosa	Ajuste la tensión de la Banda. Cambie la Banda desgastada.
Sistema de enfriamiento encalado	Drene y enjuague el sistema de enfriamiento. Revise el agua
.....	con un termómetro.
Indicador de temperatura defectuoso.....	Haga que el personal de servicio reemplace el indicador si está
.....	defectuoso (Si se recalienta, un motor debe usar agua.
.....	Revise el nivel del agua.)
Tapa a presión del radiador defectuosa	Reemplace la tapa.

ALTO CONSUMO DE ACEITE

Posible Causa	Posible Solución
Aceite de muy baja viscosidad en el cárter	Drene y llene el cárter con aceite de viscosidad adecuada.
Fugas de aceite.....	Revise que no haya fugas en las líneas y alrededor de las
.....	juntas y los tapones de drenaje.
El motor se sobrecalienta.....	Reduzca la carga o cambie a una velocidad más baja.

BAJA PRESIÓN DE ACEITE EN EL MOTOR

Posible Causa	Posible Solución
Bajo nivel de aceite en el cárter	Revise el nivel de aceite en la varilla medidora y agregue aceite
.....	si es necesario.
Aceite de tipo inadecuado en el cárter	Drene y llene el cárter con aceite de la viscosidad adecuada.
Filtro de aceite parcialmente obstruido.....	Revise la presión con un medidor maestro. Reemplace el filtro.



Montacargas Bright

BC3-6560

ALTO CONSUMO DE COMBUSTIBLE

Posible Causa	Posible Solución
Tipo incorrecto de combustible.....	Consulte las especificaciones del combustible y utilice el tipo de combustible adecuado para las condiciones de operación.
Sobrecarga del motor.....	Reduzca la carga o cambie a una velocidad más baja.
Filtro de aire obstruido o sucio.....	Limpie el filtro de aire.
Boquillas de los inyectores sucias o defectuosas.....	Consulte a su distribuidor.
Motor fuera de punto.....	Asegúrese de que la bomba de inyección esté en su punto correcto. Consulte a su distribuidor por este servicio.

EL MOTOR DIESEL EMITE HUMO NEGRO O GRIS POR EL ESCAPE

Posible Causa	Posible Solución
Tipo incorrecto de combustible.....	Consulte las especificaciones del combustible y utilice el tipo de combustible adecuado para las condiciones de operación.
Sobrecarga del motor.....	Reduzca la carga o cambie a una velocidad más baja.
Filtro de aire obstruido o sucio.....	Limpie el filtro de aire.
Boquillas de los inyectores sucias o defectuosas.....	Consulte a su distribuidor.
Motor fuera de punto.....	Asegúrese de que la bomba de inyección esté en su punto correcto. Consulte a su distribuidor por este servicio.
Silenciador defectuoso.....	Revise posibles daños en el silenciador, lo cual podría crear contrapresión.

EL MOTOR DIESEL EMITE HUMO BLANCO

Posible Causa	Posible Solución
Filtro de aire sucio.....	Limpie el filtro de aire.
Tipo incorrecto de combustible.....	Un combustible de bajo octanaje causará fallos de encendido. Utilice sólo combustible del octanaje recomendado.
Motor frío.....	Caliente el motor a la temperatura normal de operación.
Termostato defectuoso.....	Retire y revise el termostato.
Motor fuera de punto.....	Asegúrese de que la bomba de inyección esté en su punto correcto. Consulte a su distribuidor por este servicio.



Montacargas Bright

BC3-6560

LA BATERÍA NO SE CARGA

Possible Causa	Possible Solución
Conexiones flojas o corroídas	Limpie y apriete las conexiones de la batería.
Batería sulfatada o gastada.....	Chequee la gravedad específica y el nivel del electrolitode la batería.
Banda del alternador floja o defectuosa	Ajuste la Banda. Reemplácela si está gastad.

EL ARRANQUE NO FUNCIONA

Possible Causa	Possible Solución
Conexiones flojas o corroídas	Limpie y apriete las conexiones del acumulador.
Poca energía de salida en el acumulador	Revise el nivel del electrolito y la gravedad específica de cadacelda. Recárguela si es necesario.

EL ARRANQUE GIRA LENTAMENTE

Possible Causa	Possible Solución
Conexiones flojas o corroídas	Limpie y apriete las conexiones del acumulador.
Poca energía de salida en el acumulador	Revise el nivel del electrolito y la gravedad específica de cadacelda. Recárguela si es necesario.
Aceite de muy baja viscosidad en el cárter	Drene y llene el cárter con aceite de viscosidad adecuada.

TODO EL SISTEMA HIDRÁULICO NO FUNCIONA

Possible Causa	Possible Solución
Poco fluido en el sistema.....	Llene el sistema con el fluido apropiado hasta la marca enel indicador visual.
El acoplamiento principal está roto.....	Reemplace el acoplamiento principal.

EL FLUIDO HIDRÁULICO SE SOBRECALIENTA

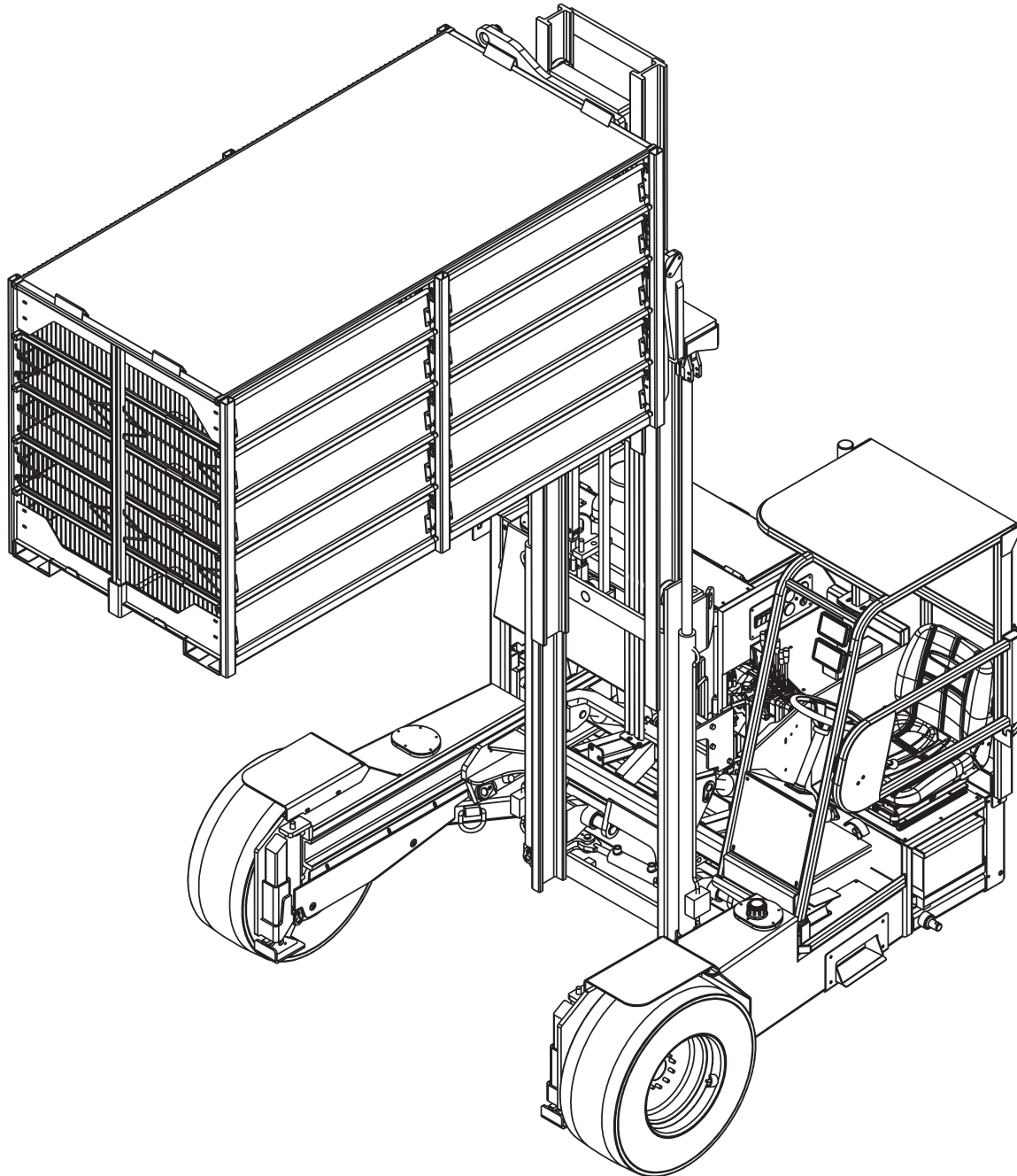
Possible Causa	Possible Solución
Poco fluido en el sistema.....	Llene el sistema con el fluido apropiado hasta la marca enla varilla medidora..
Núcleo del enfriador de fluido obstruido	Retire el material extraño del enfriador de fluido y delas parrillas.



Montacargas Bright

BC3-6560

GUÍA PARA SOLUCIÓN DE PROBLEMAS DEL MÁSTIL





Montacargas Bright

BC3-6560

GUÍA PARA SOLUCIÓN DE PROBLEMAS DEL MÁSTIL

La Guía Para Solución de Problemas que se encuentra en las páginas siguientes se ocupa de problemas encontrados a veces durante las operaciones del mástil. También enumera las causas probables y recomienda las acciones correctivas para restaurar el mástil a su estado óptimo de operación. ¡Lea todas las precauciones de seguridad antes de reparar un mástil defectuoso!

ADVERTENCIA

1. **¡SI UN RIEL O EL TREN DEL MÁSTIL SE TRABA O NO BAJA NI SUBE; RETIRE EL MÁSTIL DEL SERVICIO, Y REALICE LAS REPARACIONES NECESARIAS INMEDIATAMENTE!**
2. **¡UTILICE SÓLO LAS HERRAMIENTAS APROPIADAS Y EL POLIPASTO/ARNÉS APROBADO DURANTE LA REPARACIÓN O LOS AJUSTES DEL MÁSTIL!**
3. **¡NUNCA COLOQUE NINGUNA PARTE DE SU CUERPO DENTRO DE LA ZONA DE TRABAJO DE UN MÁSTIL TRABADO!**
4. **NO HAGA FUNCIONAR EL MÁSTIL CON UN SISTEMA HIDRÁULICO DAÑADO.**

PRECAUCIONES DE SEGURIDAD DEL MÁSTIL

IMPORTANTE: ANTES DE HACER FUNCIONAR EL MÁSTIL, ASEGÚRESE DE HABER LEÍDO Y COMPRENDIDO COMPLETAMENTE LOS MANUALES DEL FABRICANTE PARA SU MONTACARGAS. SI LOS MANUALES ESTÁN EXTRAVIADOS, OBTenga UN MANUAL DE REEMPLAZO DE SU EMPLEADOR, SU CONCESIONARIO O EL FABRICANTE DEL MONTACARGAS. SIEMPRE MANTENGA LOS MANUALES DE SEGURIDAD EN EL MONTACARGAS.

¡LA SEGURIDAD ES SU RESPONSABILIDAD!

- **¡SÓLO USTED PUEDE PREVENIR LAS LESIONES GRAVES O LA MUERTE POR PRÁCTICAS INSEGURAS! PRACTIQUE TODAS PRECAUCIONES LABORALES USUALES Y HABITUALES, INCLUYENDO LAS SIGUIENTES:**
 1. **¡NO LLEVE NUNCA PASAJEROS EN EL MÁSTIL O LAS HORQUILLAS!**
 2. No utilice nunca el mástil o las horquillas como arietes.
 3. Inspeccione diariamente el funcionamiento, los componentes, las partes hidráulicos y las mangueras del mástil.
 4. Evite el peligro de enredarse, manténgase usted y a los demás alejados de las piezas móviles del mástil.
 5. NO se suba al mástil.
 6. Si el mástil no funciona correctamente, hágalo revisar y reparar inmediatamente.
 7. No haga funcionar el mástil sin un gráfico legible de la carga (no sobrecargue el mástil).
 8. Reemplace las horquillas (en pares) que estén agrietadas o dañadas. No utilice NUNCA horquillas reparadas por soldadura.
 9. Controle que las horquillas estén aseguradas (que no puedan cambiar de posición mientras transporta las cargas).
 10. Planee con anticipación, sepa cómo y hacia dónde se va a mover, girar y recoger, levantar y colocar las cargas.
 11. Utilice a una persona que señalice cuando esté colocando cargas elevadas.
 12. Opere el mástil con suavidad, (al subir, bajar e inclinar el mástil y las horquillas), no permita que los cilindros de elevación golpeen el extremo de su recorrido abruptamente.
 13. Baje las horquillas al suelo cuando el montacargas no esté en uso.



Montacargas Bright

BC3-6560

PROBLEM:	PROBLEM CAUSE:	CORRECTIVE ACTIONS:
Las horquillas no se sostienen o se bajan con demasiada rapidez.	<ol style="list-style-type: none"> 1. Fuga de fluido por el cabezal del cilindro. 2. Fuga de fluido por la válvula de control. 	<ol style="list-style-type: none"> 1. Vea a su distribuidor. 2. Vea a su distribuidor.
La horquilla se levanta con demasiada lentitud.	<ol style="list-style-type: none"> 1. Fluido frío. 2. Viscosidad del fluido demasiado elevada. 3. Velocidad del motor insuficiente. 4. Bomba desgastada. 5. Tuberías con fugas o rotas desde la válvula de control a los cilindros. 6. Fluido sucio. 7. Fuga de fluido por la junta del pistón del cilindro. 8. Fuga de fluido por la válvula de control. 	<ol style="list-style-type: none"> 1. Permita que el fluido se caliente manteniendo el motor a baja velocidad. 2. Utilice fluido de viscosidad adecuada. 3. Acelere. 4. Reemplace o repare la bomba. Vea a su distribuidor. 5. Revise si hay fugas. Apriete o sustituya las tuberías. 6. Vacíe y rellene con fluido nuevo. 7. Vea a su distribuidor. 8. Vea a su distribuidor.
La bomba hace ruido.	<ol style="list-style-type: none"> 1. No hay fluido. 	<ol style="list-style-type: none"> 1. Revise la cantidad de fluido.
El mástil no levanta la carga o el cilindro de elevación no se mueve.	<ol style="list-style-type: none"> 1. Mástil sobrecargado. 2. Suministro insuficiente o nulo de fluido hidráulico al cilindro. 3. Nivel límite de la válvula de alivio excesivamente bajo. 	<ol style="list-style-type: none"> 1. Reduzca la carga. 2. Revise el sistema hidráulico del montacargas: bajo nivel de fluido, bomba defectuosa, válvula de control dañada o fugas en la tubería de abastecimiento. Realice las reparaciones que sean necesarias. 3. Ajuste la válvula de alivio sin exceder el nivel recomendado. <p>NOTA: Toda vez que se agregue fluido al depósito hidráulico, revise que los cilindros de elevación no tengan aire: posiblemente necesiten ser purgados.</p>



Montacargas Bright

BC3-6560

PROBLEM:	PROBLEM CAUSE:	CORRECTIVE ACTIONS:
<p>El mástil levanta la carga lentamente o hasta una altura parcial.</p>	<ol style="list-style-type: none"> 1. Nivel bajo de fluido. 2. Fallo de la junta del cilindro del mástil. 3. Nivel límite de la válvula de alivio excesivamente bajo. 4. Los rodillos están demasiado ajustados, los rieles están descentrados o no lubricados, rodillos defectuosos. 	<ol style="list-style-type: none"> 1. Revise el sistema hidráulico del montacargas: bajo nivel de fluido, bomba defectuosa, válvula de control dañada o fugas en la tubería de abastecimiento. Realice las reparaciones que sean necesarias. 2. Reemplace las juntas. Los fallos causados por la contaminación del líquido hidráulico requieren que se lave el sistema, se reemplacen los filtros y se coloque fluido nuevo. 3. Ajuste la válvula de alivio sin exceder el nivel recomendado. 4. Revise los rodillos y la alineación de los rieles. Repare, ajuste o lubrique según sea necesario.
<p>El mástil tironea o tiene un movimiento esponjoso.</p>	<ol style="list-style-type: none"> 1. Aire en el sistema hidráulico. 2. Vástago del cilindro doblado o dañado (pistón). 3. Válvula de alivio defectuosa. 4. Rodillos defectuosos o calce demasiado apretado. 	<ol style="list-style-type: none"> 1. Revise el nivel del fluido hidráulico en el depósito, compruebe que no haya fugas de vacío en el sistema hidráulico. Purgue los cilindros de elevación. 2. Repare o reemplace según sea necesario. 3. Retire e inspeccione la válvula de alivio, repárela o reemplácela según sea necesario. Si está dañada por aceite contaminado: lave el sistema, reemplace los filtros de aceite y añada aceite nuevo. 4. Vuelva a calzarlos o repárelos según sea necesario.



Montacargas Bright

BC3-6560

PROBLEM:	PROBLEM CAUSE:	CORRECTIVE ACTIONS:
El mástil baja lentamente por sí solo.	<ol style="list-style-type: none"> 1. Juntas dañadas o defectuosas. 2. La válvula del contrapeso queda abierta. 	<ol style="list-style-type: none"> 1. Reemplace las juntas. Los fallos causados por la contaminación del líquido hidráulico requieren que se lave el sistema, se reemplacen los filtros y se coloque fluido nuevo. 2. Vea a su distribuidor.
<p>El mástil baja demasiado despacio, parcialmente o no baja en absoluto.</p> <p>¡Aviso! Vea la ADVERTENCIA al principio de la Guía para solución de problemas.</p>	<ol style="list-style-type: none"> 1. Cilindros de elevación dañados. 2. Inspecciónelos, repárelos o reemplácelos. 	<ol style="list-style-type: none"> 1. Inspecciónelos, repárelos o reemplácelos. 2. Vuelva a calzarlos o repárelos según sea necesario.
El tren se desplaza hacia arriba cuando se retira la carga y luego se detiene.	<ol style="list-style-type: none"> 1. Aire en el(los) cilindro(s). 	<ol style="list-style-type: none"> 1. Purgue el(los) cilindro(s).
Fuga de fluido en los cilindros.	<ol style="list-style-type: none"> 1. Sellos o anillos tóricos defectuosos. 	<ol style="list-style-type: none"> 1. Reemplace los sellos o anillos tóricos.
El mástil no se extiende totalmente.	<ol style="list-style-type: none"> 1. Nivel bajo de fluido en el depósito. 	<ol style="list-style-type: none"> 1. Llene el depósito hasta el nivel correcto.
Movimiento lateral excesivo en los rieles.	<ol style="list-style-type: none"> 1. Movimiento lateral excesivo en los rieles. 	<ol style="list-style-type: none"> 1. Calce o reemplace los rodillos según sea necesario.
Movimiento lateral excesivo del tren.	<ol style="list-style-type: none"> 1. Las almohadillas de empuje necesitan ajuste o reparación. 	<ol style="list-style-type: none"> 1. Ajuste el movimiento lateral. 2. Reemplace el bloque en T.
<p>El tren o los rieles se enganchan o se traban durante el funcionamiento.</p> <p>¡Aviso! Vea la ADVERTENCIA al principio de la Guía para solución de problemas.</p>	<ol style="list-style-type: none"> 1. Los rodillos necesitan ajuste o reparación. 	<ol style="list-style-type: none"> 1. Calce o reemplace los rodillos según sea necesario. 2. Ajuste el movimiento lateral del tren.



Montacargas Bright

BC3-6560

PROBLEM:	PROBLEM CAUSE:	CORRECTIVE ACTIONS:
El tren está golpeando o raspando los rieles.	<ol style="list-style-type: none"> 1. Los rodillos del tren están calzados incorrectamente o desgastados en exceso. 	<ol style="list-style-type: none"> 1. Ajuste o reemplace los rodillos del tren.
El mástil está fuera de secuencia al subir, los rieles se mueven antes que el tren.	<ol style="list-style-type: none"> 1. El recorrido del tren está obstruido. 2. Los rodillos de empuje del tren están dañados o necesitan ajuste. 3. Los rodillos del riel del tren están dañados o necesitan ajuste. 4. La carga excesivamente descentrada. 	<ol style="list-style-type: none"> 1. Remueva la obstrucción. 2. Ajuste o reemplace los rodillos de empuje. 3. Ajuste o reemplace los rodillos del riel. 4. Centre la carga en el tren.
El mástil está fuera de secuencia al bajar, el carro baja antes que los rieles se retraigan.	<ol style="list-style-type: none"> 1. El calce de los rieles está demasiado apretado. 2. El riel central está calzado demasiado apretado en el riel exterior. 3. Obstrucción. 4. Rodillo roto. 5. Regulador de flujo defectuoso en el(los) cilindro(s) de elevación. 	<ol style="list-style-type: none"> 1. Vuelva a calzar los rieles según sea necesario. 2. Vuelva a calzar los rieles según sea necesario. 3. Retire la obstrucción. 4. Reemplace el rodillo. 5. Reemplace el regulador.
Desgaste excesivo sólo en un riel interior.	<ol style="list-style-type: none"> 1. El rodillo del tren en el lado opuesto está roto. 	<ol style="list-style-type: none"> 1. Reemplace el rodillo, limpie y lubrique el riel.

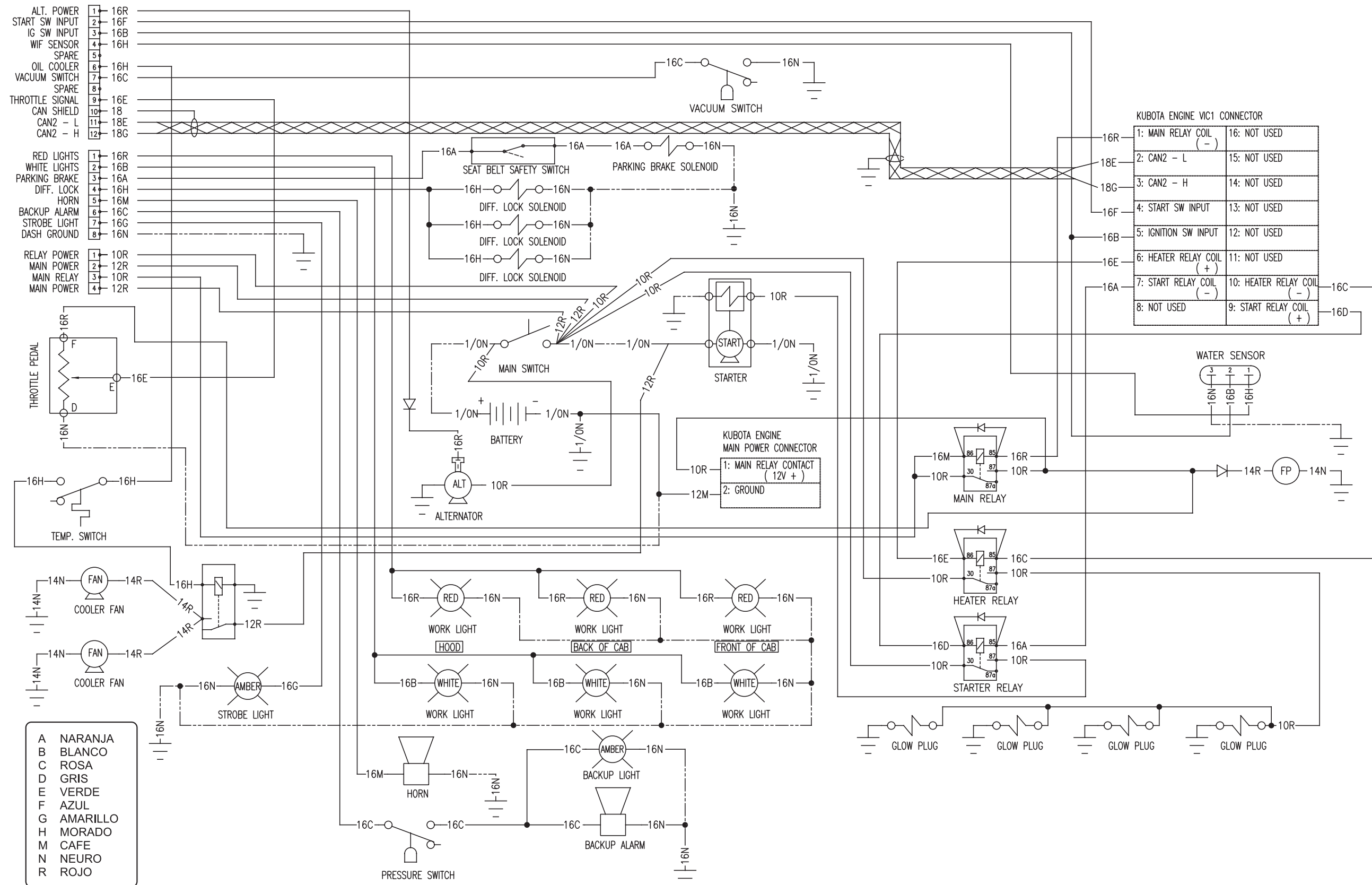


Montacargas Bright

BC3-6560

LOS ESQUEMAS

BC3-6560





Montacargas Bright

DIAGRAMA ELÉCTRICO DEL PANEL DE INSTRUMENTOS

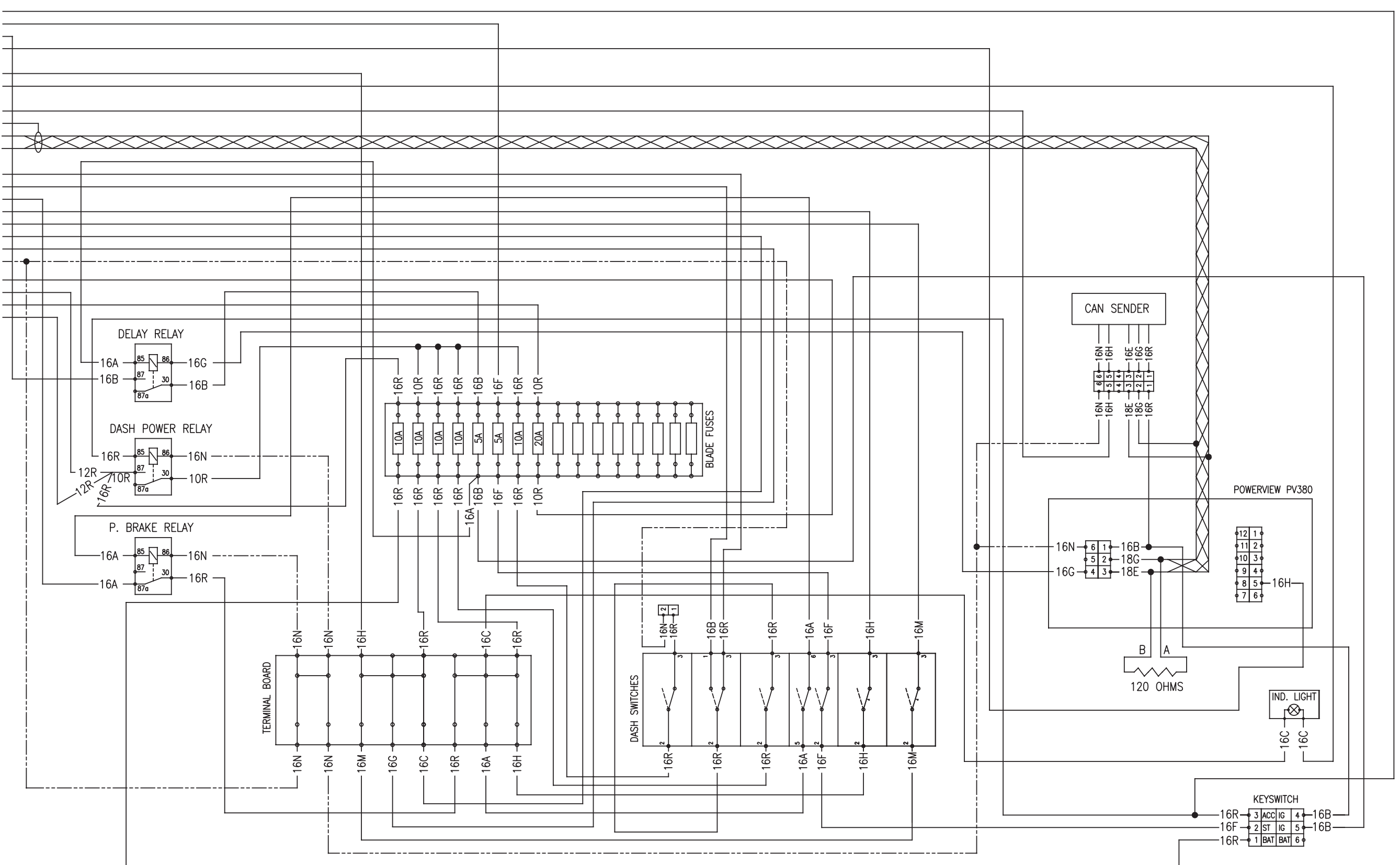
BC3-6560

- 1 ALT. POWER 16R
- 2 START SW INPUT 16F
- 3 IG SW INPUT 16B
- 4 WIF SENSOR 16H
- 5 SPARE
- 6 OIL COOLER 16H
- 7 VACUUM SWITCH 16C
- 8 SPARE
- 9 THROTTLE SIGNAL 16H
- 10 CAN SHIELD 18
- 11 CAN2 - L 18E
- 12 CAN2 - H 18G

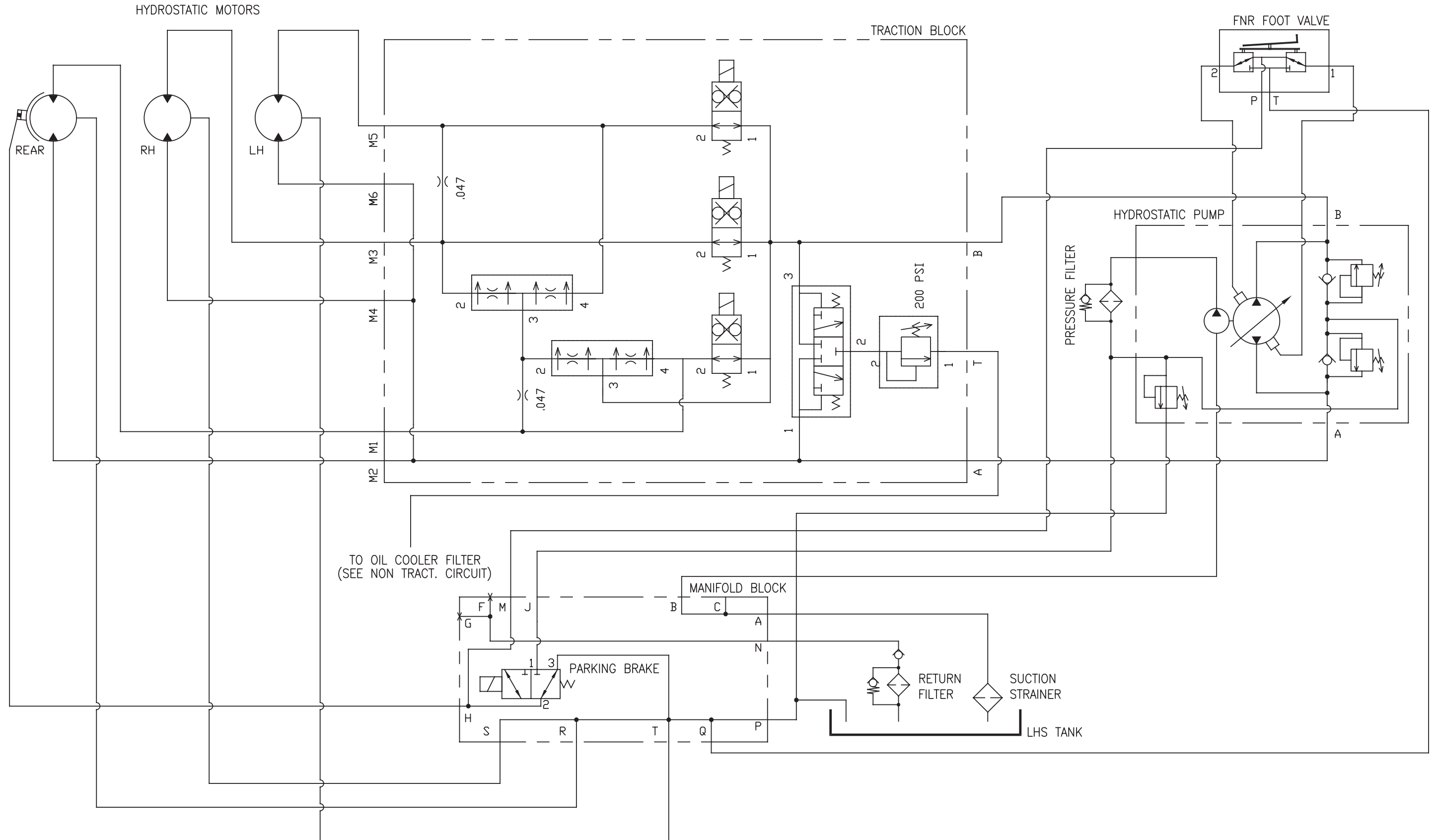
- 1 RED LIGHTS 16R
- 2 WHITE LIGHTS 16B
- 3 PARKING BRAKE 16A
- 4 DIFF. LOCK 16H
- 5 HORN 16M
- 6 BACKUP ALARM 16C
- 7 STROBE LIGHT 16G
- 8 DASH GROUND 16N

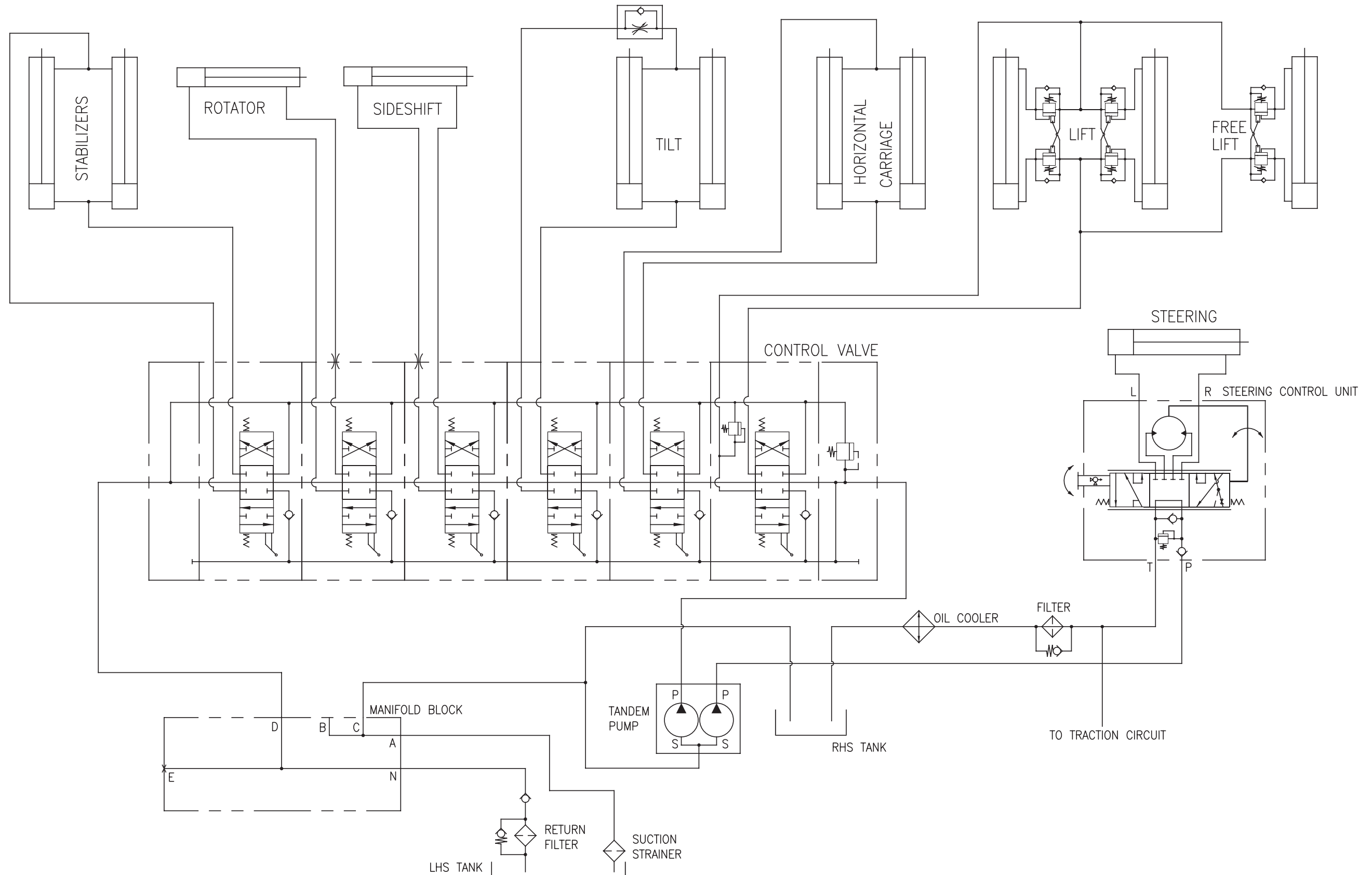
- 1 RELAY POWER 10R
- 2 MAIN POWER 12R
- 3 MAIN RELAY 10R
- 4 MAIN POWER 12R

- A NARANJA
 - B BLANCO
 - C ROSA
 - D GRIS
 - E VERDE
 - F AZUL
 - G AMARILLO
 - H MORADO
 - M CAFE
 - N NEURO
 - R ROJO



BC3-6560



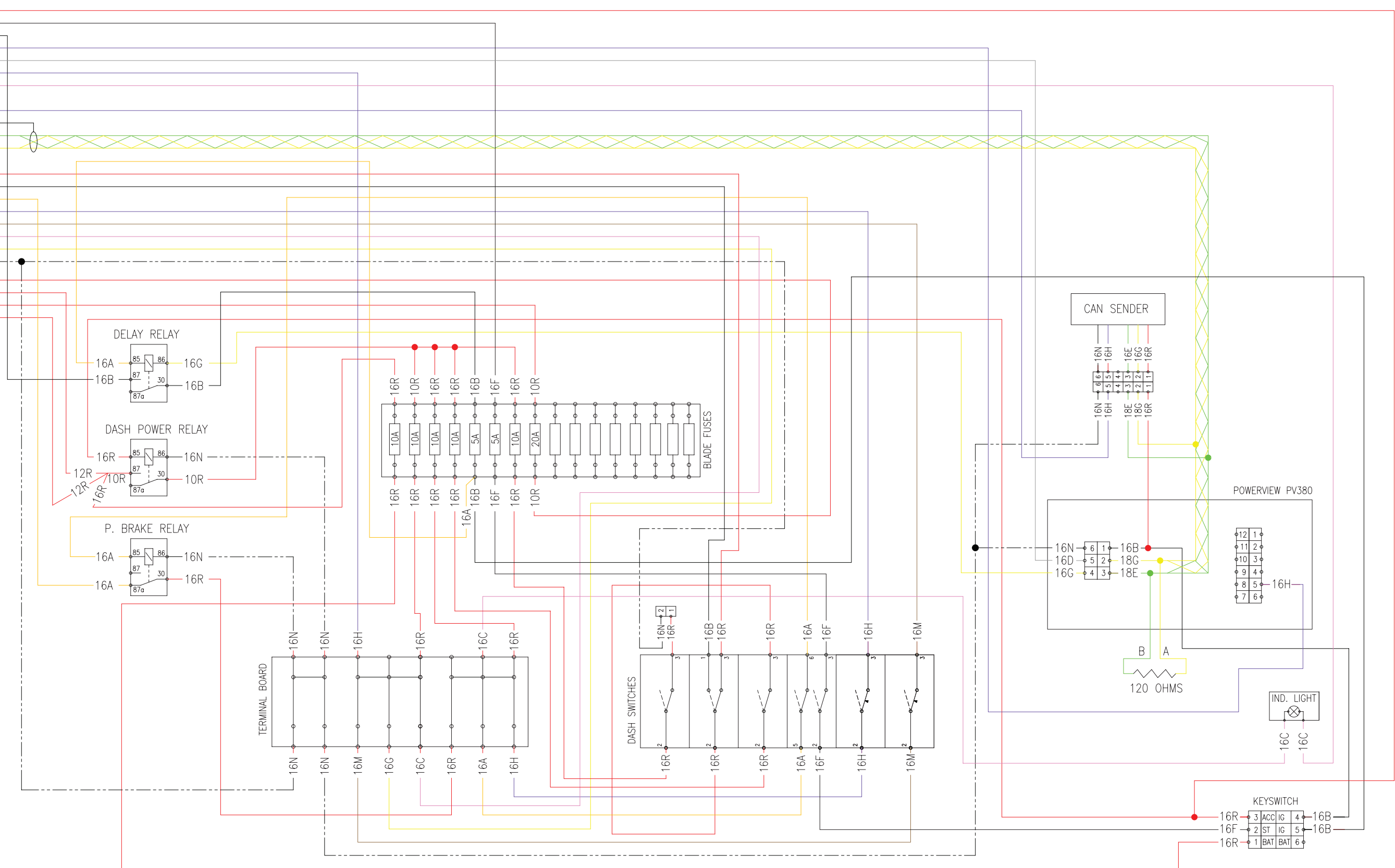




Montacargas Bright **DIAGRAMA ELÉCTRICO DEL PANEL DE INSTRUMENTOS CON INTERRUPTOR LOL**

BC3-6560

- | | | |
|-----------------|----|-----|
| ALT. POWER | 1 | 16R |
| START SW INPUT | 2 | 16F |
| IG SW INPUT | 3 | 16B |
| WIF SENSOR | 4 | 16H |
| LOL SWITCH | 5 | 16D |
| OIL COOLER | 6 | 16H |
| VACUUM SWITCH | 7 | 16C |
| SPARE | 8 | |
| THROTTLE SIGNAL | 9 | 16H |
| CAN SHIELD | 10 | 18 |
| CAN2 - L | 11 | 18E |
| CAN2 - H | 12 | 18G |
-
- | | | |
|---------------|---|-----|
| RED LIGHTS | 1 | 16R |
| WHITE LIGHTS | 2 | 16B |
| PARKING BRAKE | 3 | 16A |
| DIFF. LOCK | 4 | 16H |
| HORN | 5 | 16M |
| BACKUP ALARM | 6 | 16C |
| STROBE LIGHT | 7 | 16G |
| DASH GROUND | 8 | 16N |
-
- | | | |
|-------------|---|-----|
| RELAY POWER | 1 | 10R |
| MAIN POWER | 2 | 12R |
| MAIN RELAY | 3 | 10R |
| MAIN POWER | 4 | 12R |



- | | |
|---|----------|
| A | NARANJA |
| B | BLANCO |
| C | ROSA |
| D | GRIS |
| E | VERDE |
| F | AZUL |
| G | AMARILLO |
| H | MORADO |
| M | CAFE |
| N | NEURO |
| R | ROJO |

