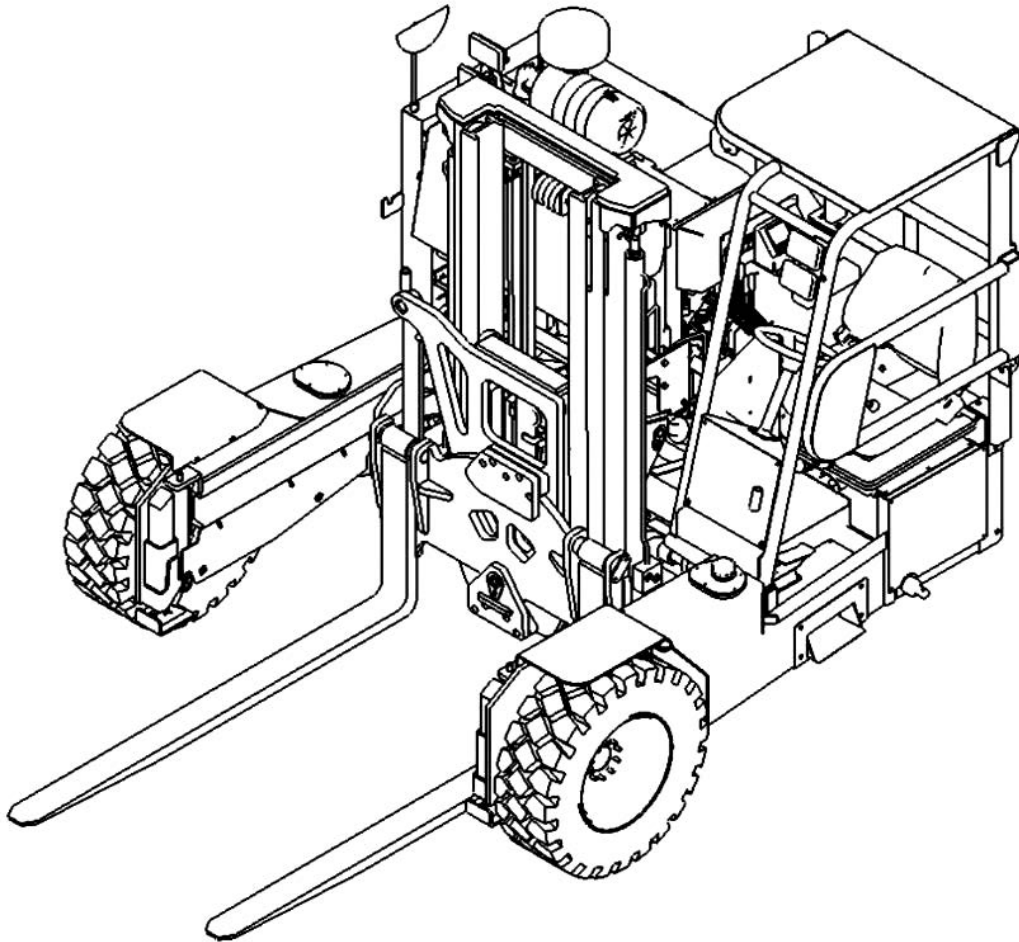




# ***Bright Forklift Montacargas Bright***

***BC3-6560***



## ***Parts Catalog***

**Bright Coop Inc.**

**803 W. Seale St.**

**Nacogdoches, TX 75964**

**Phone: (936) 564-8378 • Fax: (936) 564-3281**

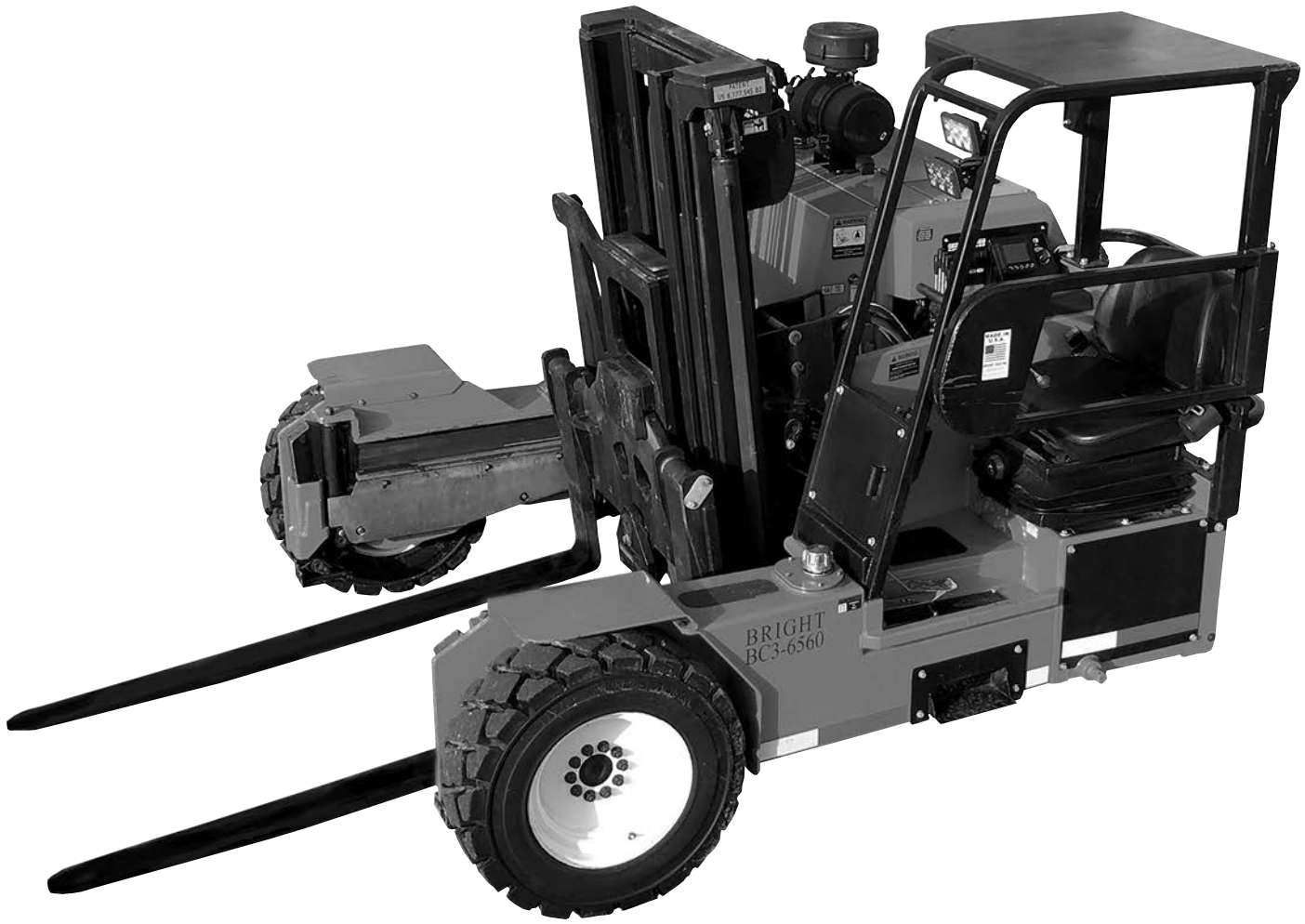
**Info@brightcoop.com**

**BCI# 097-20864 DATED: 08/2024**



# Bright Forklift

**BC3-6560**



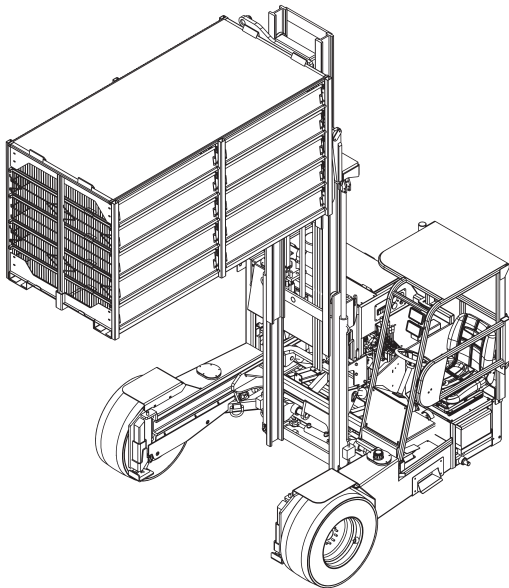


# Bright Forklift

**BC3-6560**

**Tab Indexes**

## Parts Catalog



Bright Coop Inc.  
803 W. Seale St.  
Nacogdoches, TX 75964  
Phone: (936) 564-8378  
Fax: (936) 564-3281  
Info@brightcoop.com  
BCI# 097-20864 DATED: 08/2024

1. **SECTION 1:  
CAB ASSEMBLY**
2. **SECTION 2:  
STEERING AXLE**
3. **SECTION 3:  
POWERTRAIN CIRCUITS**
4. **SECTION 4:  
FORKLIFT CIRCUITS**
5. **SECTION 5:  
TIRE & WHEEL ASSEMBLY**
6. **SECTION 6:  
STABILIZER ASSEMBLY**
7. **SECTION 7:  
MAST ASSEMBLY**
8. **SECTION 8:  
HOODS, PANELS, & ACC.**
9. **SECTION 9:  
DECALS**
10. **SECTION 10:  
MAINTENANCE ITEMS**
11. **SECTION 11:  
SCHEMATICS**
12. **SECTION 12:  
KUBOTA DIESEL ENGINE**





# **Bright Forklift**

**BC3-6560**

## **SECTION 1**

### **CAB ASSEMBLY**

#### **CONTENTS**

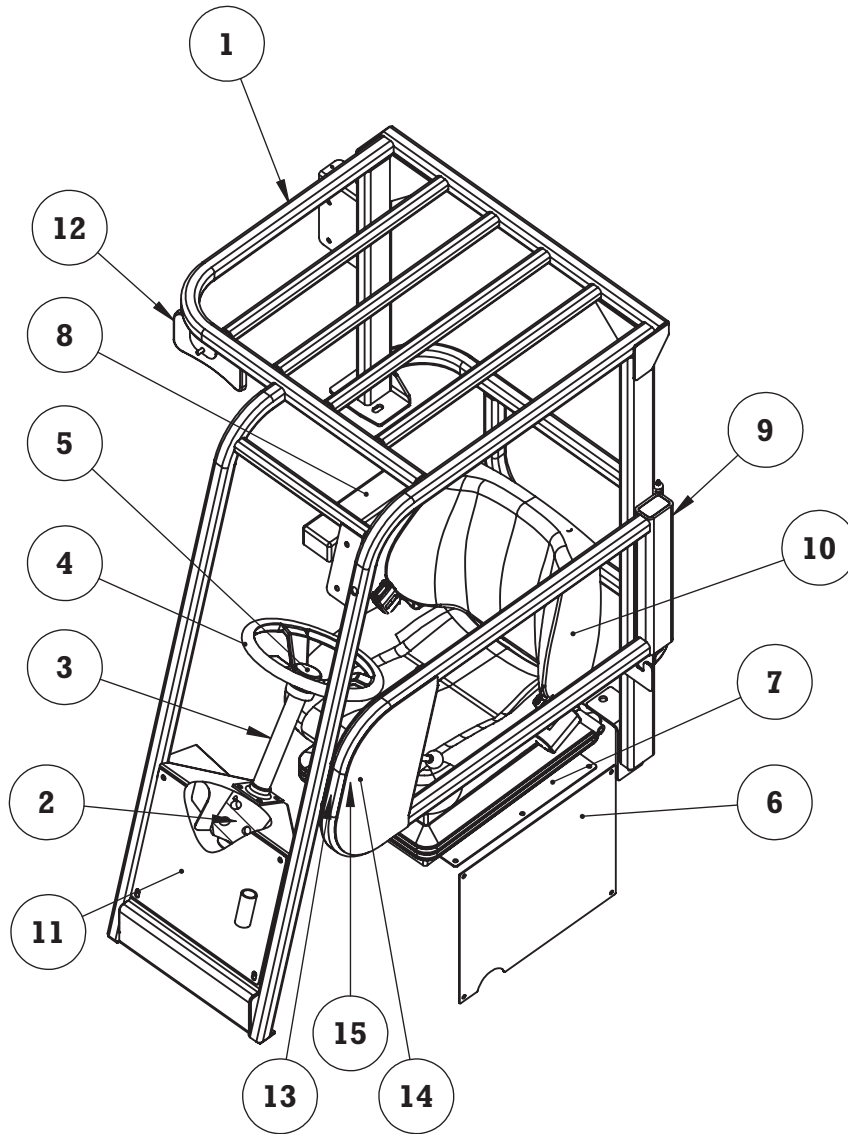
CAB ASSEMBLY (097-21201) .....	1-2
CAB ASSEMBLY (097-21220A) .....	1-4
HINGED SEAT SUPPORT ASSEMBLY (097-21233).....	1-6



# Bright Forklift

**BC3-6560**

**CAB ASSEMBLY (097-21201)**





# Bright Forklift

**BC3-6560**

## CAB ASSEMBLY (097-21201)

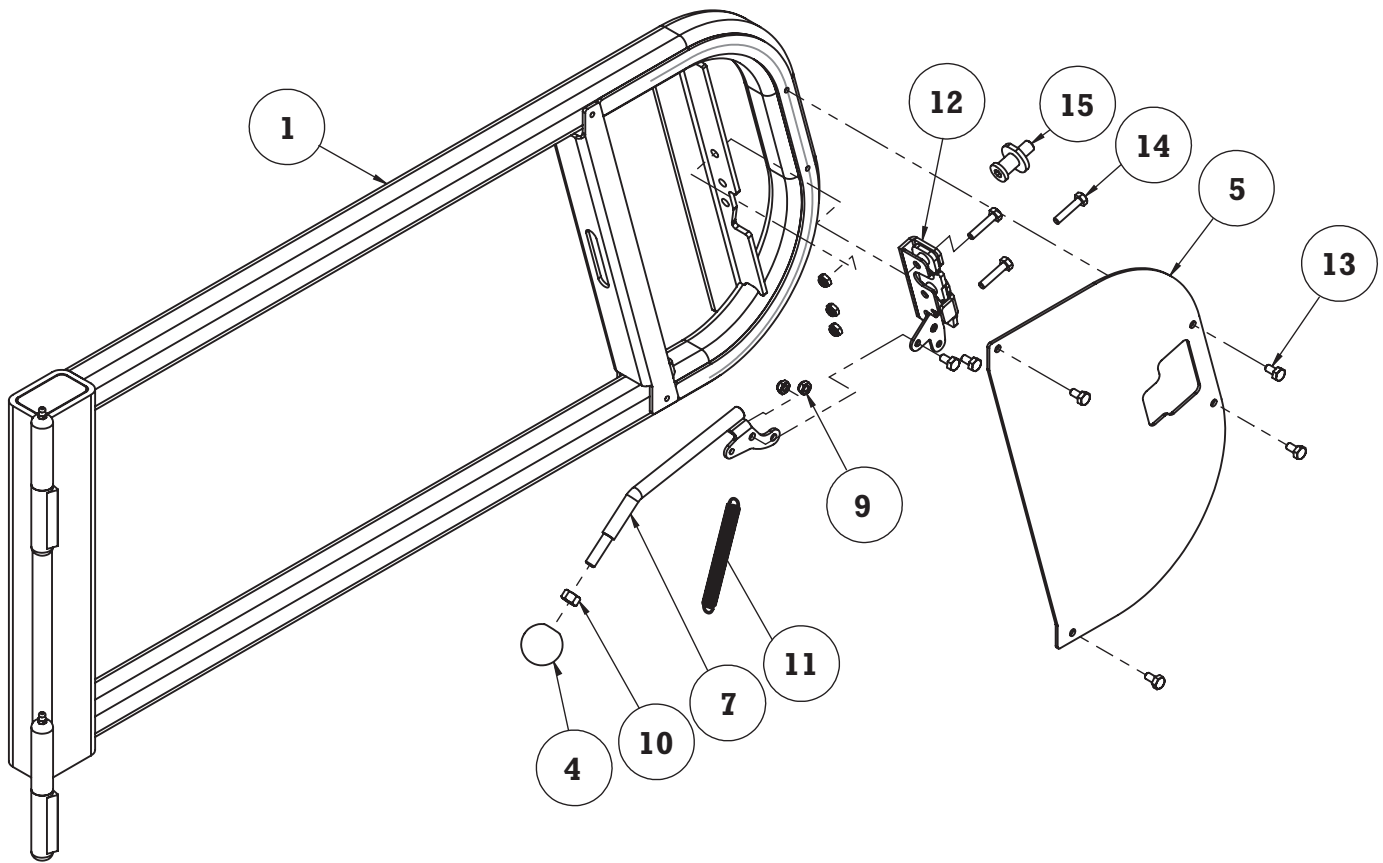
ITEM	QTY.	PART NUMBER	DESCRIPTION
1	1	097-21210A	CAB FRAME WELDMENT
2	1	430-00391	STEERING MOTOR
3	1	097-00008	STEERING COLUMN
4	1	097-00009	STEERING WHEEL
5	1	097-00010	STEERING CAP
6	1	097-20957	SIDE ACCESS COVER
7	1	097-20956	SEAT SUPPORT PLATE
	1	097-21233	HINGED SEAT PLATE SUPPORT ASSEMBLY
8	1	430-00137	ARMREST
9	1	097-21220A	CAB DOOR W ROTARY LATCH ASSEMBLY
10	1	097-24245-01	SUSPENSION SEAT (HEAVY DUTY)
11	1	097-21231	ACCESS COVER WITH PIN POCKET
12	1	097-20714	FORKLIFT MIRROR (CAB)
13	1	097-20948A	STRIKER BRACKET (BOLT ON)
14	REF	097-20660	STRIKER
15	1	REF	NUT HEX 7/16-14 NC, GRADE 5



# Bright Forklift

**BC3-6560**

**CAB ASSEMBLY (097-21220A)**







# Bright Forklift

**BC3-6560**

## CAB ASSEMBLY (097-21220A)

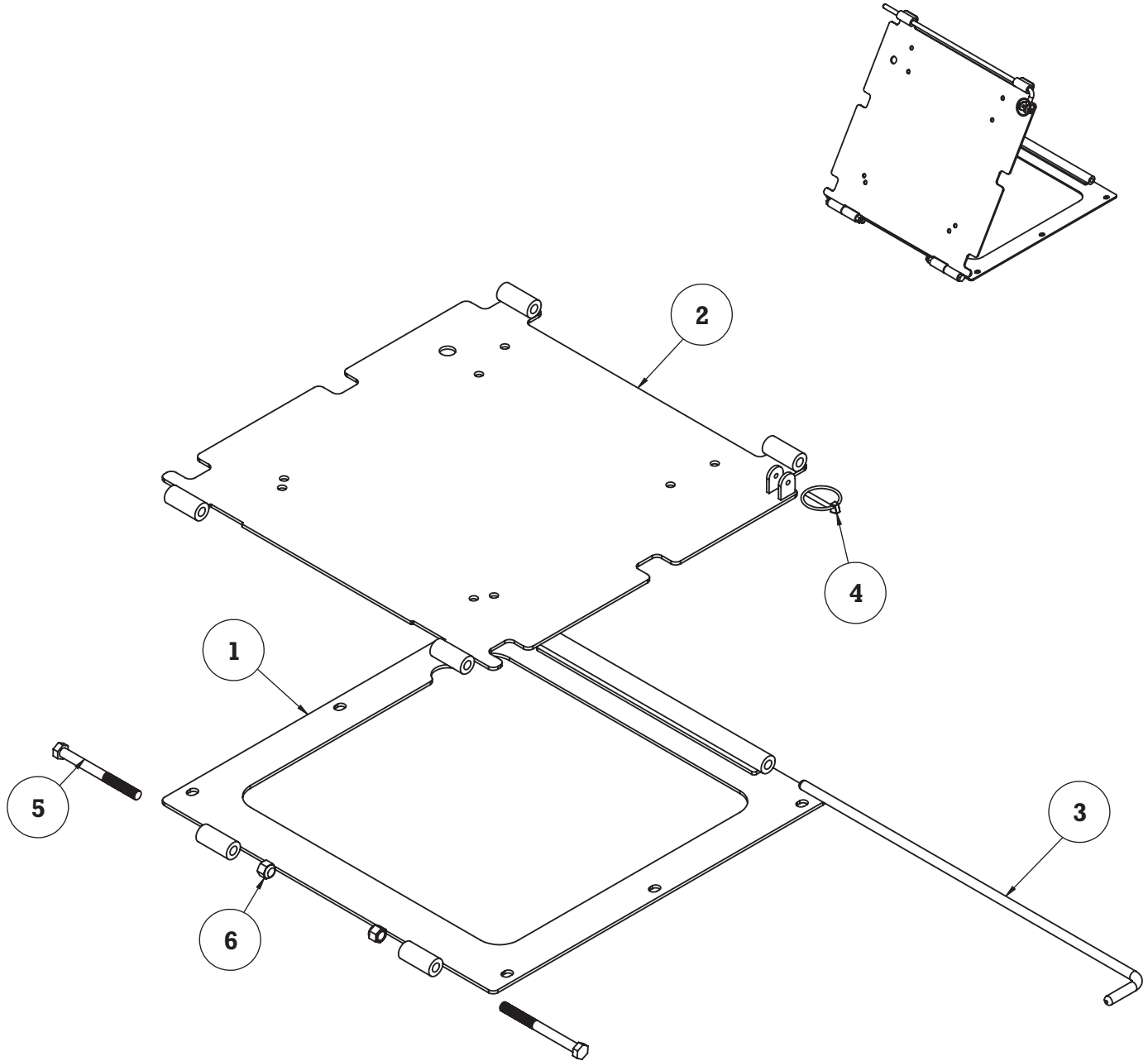
ITEM	QTY.	PART NUMBER	DESCRIPTION
1	1	097-21221A	CAB DOOR W ROTARY LATCH WELDMENT
4	1	097-20319	DELUXE BALL KNOB W. 3/8-16 THR.EAD
5	1	097-20943	INNER COVER
7	1	097-21230	DOOR LATCH HANDLE WELDMENT
9	5	REF.	1/4-20 NYLOC HEX NUT
10	1	210-00173	3/8-16 HEX NUT
11	1	KD-B1074	THROTTLE SPRING
12	1	097-20659	ROTARY LATCH
13	6	REF	1/4-20 X 1/2 LG HEX BOLT
14	3	REF	1/4-20 X 1-1/4 LG HEX BOLT
15	1	097-20660	STRIKER



# Bright Forklift

**BC3-6560**

**HINGED SEAT SUPPORT ASSEMBLY (097-21233)**





# Bright Forklift

**BC3-6560**

## HINGED SEAT SUPPORT ASSEMBLY (097-21233)

ITEM	QTY.	PART NUMBER	DESCRIPTION
1	1	097-24233-01	BOTTOM PLATE ASSEMBLY
2	1	097-21233-02	TOP MOUNT PLATE ASSEMBLY
3	1	097-24370	SS ROD 3/8 X 18-1/4 LG
4	1	210-00852	3/16 X 1-1/4 LINCH PIN
5	2	210-00083	3/8-16 X 4 BOLT
6	2	210-00199	3/8-16 NYLOC NUT





# **Bright Forklift**

**BC3-6560**

## **SECTION 2**

### **STEERING AXLE**

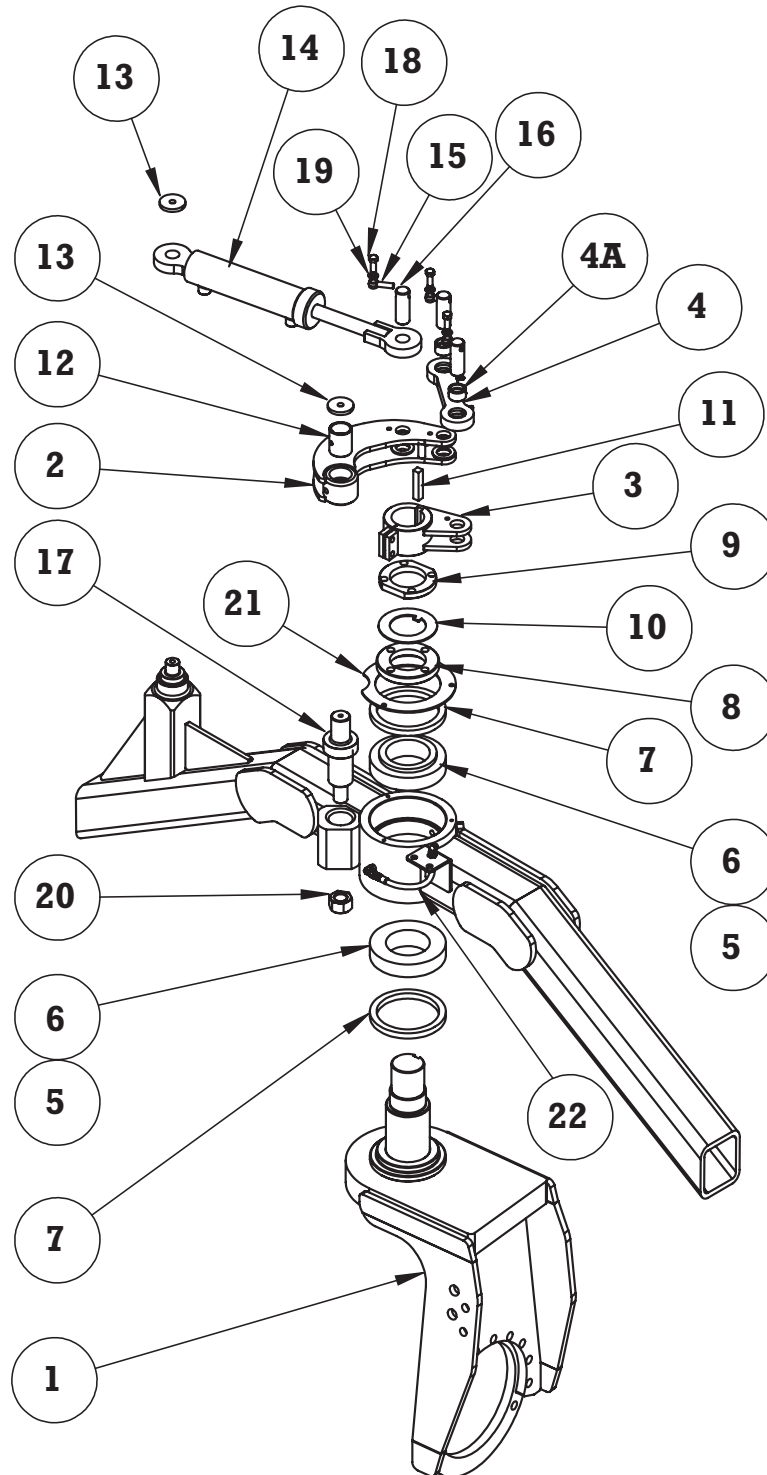
#### **CONTENTS**

STEERING ASSEMBLY (097-21301) .....	2-2
SPANNER WRENCH ASSEMBLY (097-21350) .....	2-4

# Bright Forklift

**BC3-6560**

**STEERING ASSEMBLY (097-21301)**





# Bright Forklift

**BC3-6560**

## STEERING ASSEMBLY (097-21301)

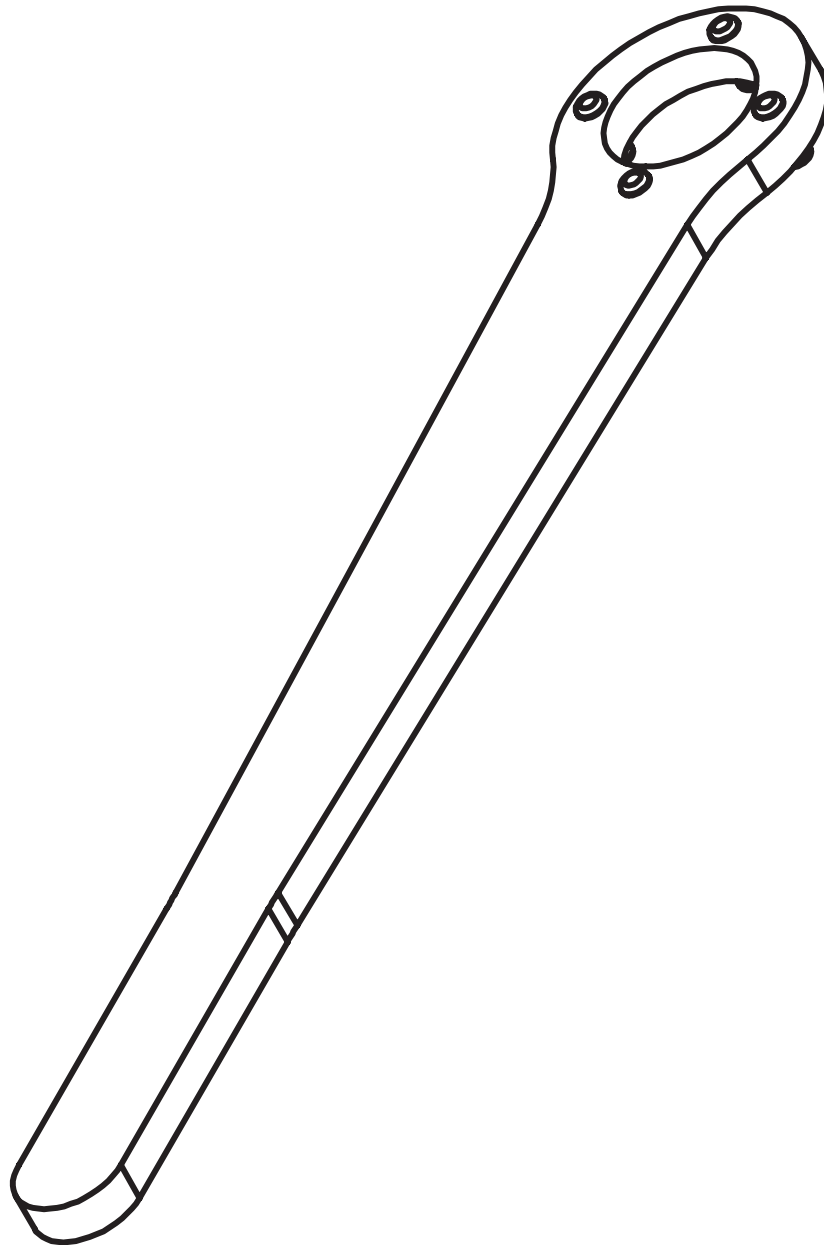
ITEM	QTY.	PART NUMBER	DESCRIPTION
1	1	097-21310	STEER AXLE WELDMENT
2	1	097-21321	SWING ARM WELDMENT (60HP)
3	1	097-21330	BELL CRANK WELDMENT
4	1	097-21340	CONNECTING LINK ASSEMBLY (INCLUDE 4A)
5	2	030-00076	CUP BEARING
6	2	030-00075	CONE BEARING
7	2	030-00077	STEERING SEAL
8	1	097-20117	STEER AXLE NUT
9	1	097-20118	STEER AXLE JAM NUT
10	1	097-20119	SPECIAL LOCK WASHER
11	1	097-20184	KEY FOR STEERING BELL CRANK
12	1	097-20186	BUSHING FOR STEERING SWING ARM
13	2	097-20187	SWING ARM RETAINER
14	1	097-20179	STEERING CYLINDER
15	3	098-01482	ROD END 3/8
16	3	097-20632	STEERING PIN
17	1	097-20593	STUB SHAFT FOR STEERING
18	3	REF	SCREW CAP HEX HD NC GR 8
19	3	REF	LOCKWASHER
20	1	REF	HEX NUT NC
21	1	097-00040	SEAL RETAINER
22	1	097-20874	GREASE HOSE ASSEMBLY



# **Bright Forklift**

**BC3-6560**

**SPANNER WRENCH ASSEMBLY (097-21350)**







# **Bright Forklift**

**BC3-6560**

## **SECTION 3**

# **POWERTRAIN & CIRCUITS**

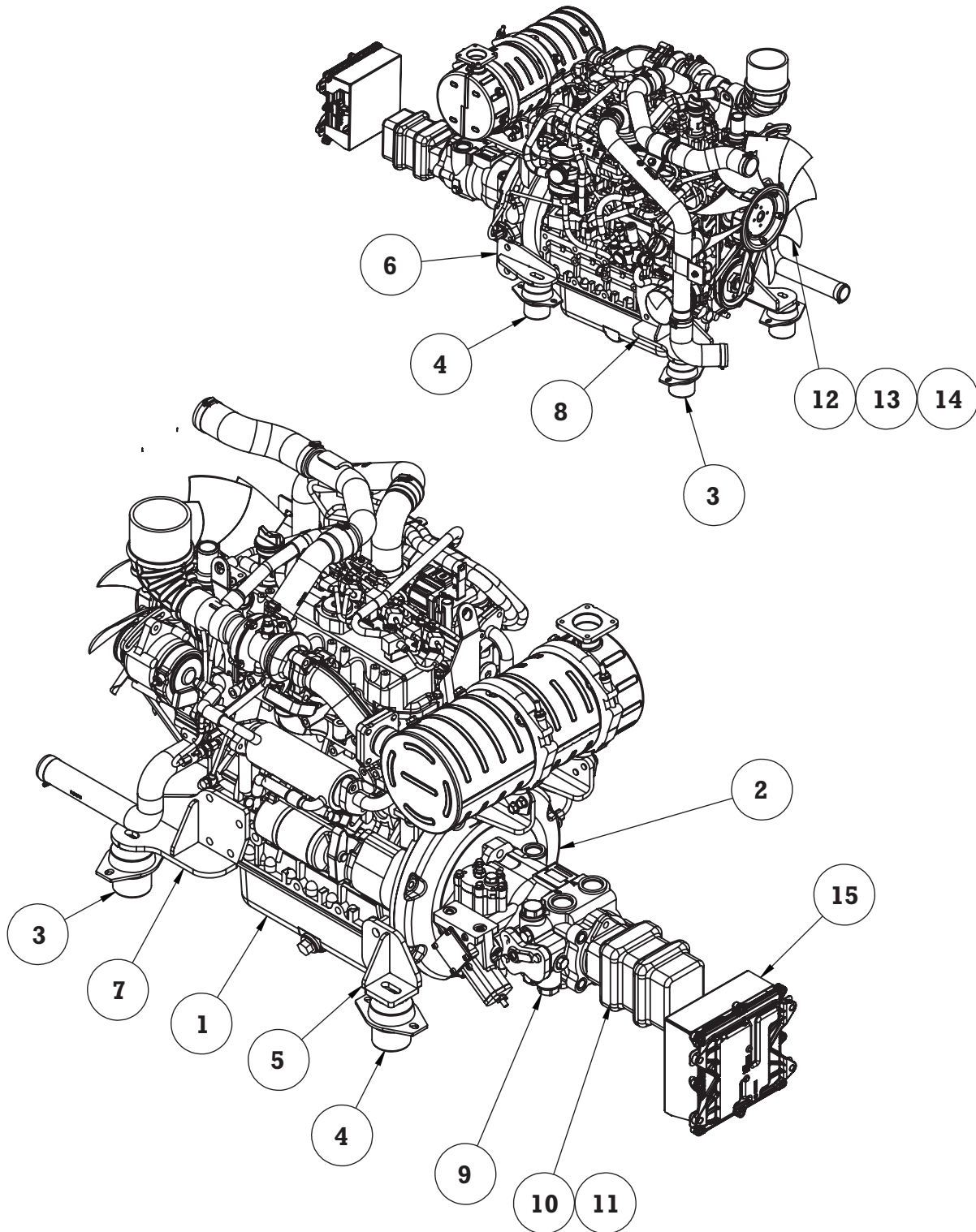
### **CONTENTS**

POWERTRAIN ASSEMBLY (097-21433) .....	3-2
THREE WHEEL FORKLIFT ASSEMBLY (097-21434) .....	3-4
AIR CLEANER CIRCUIT (097-21435) .....	3-6
COOLING CIRCUIT ASSEMBLY (097-21436) .....	3-8

# Bright Forklift

**BC3-6560**

**POWERTRAIN ASSEMBLY (097-21433)**





# Bright Forklift

**BC3-6560**

## POWERTRAIN ASSEMBLY (097-21433)

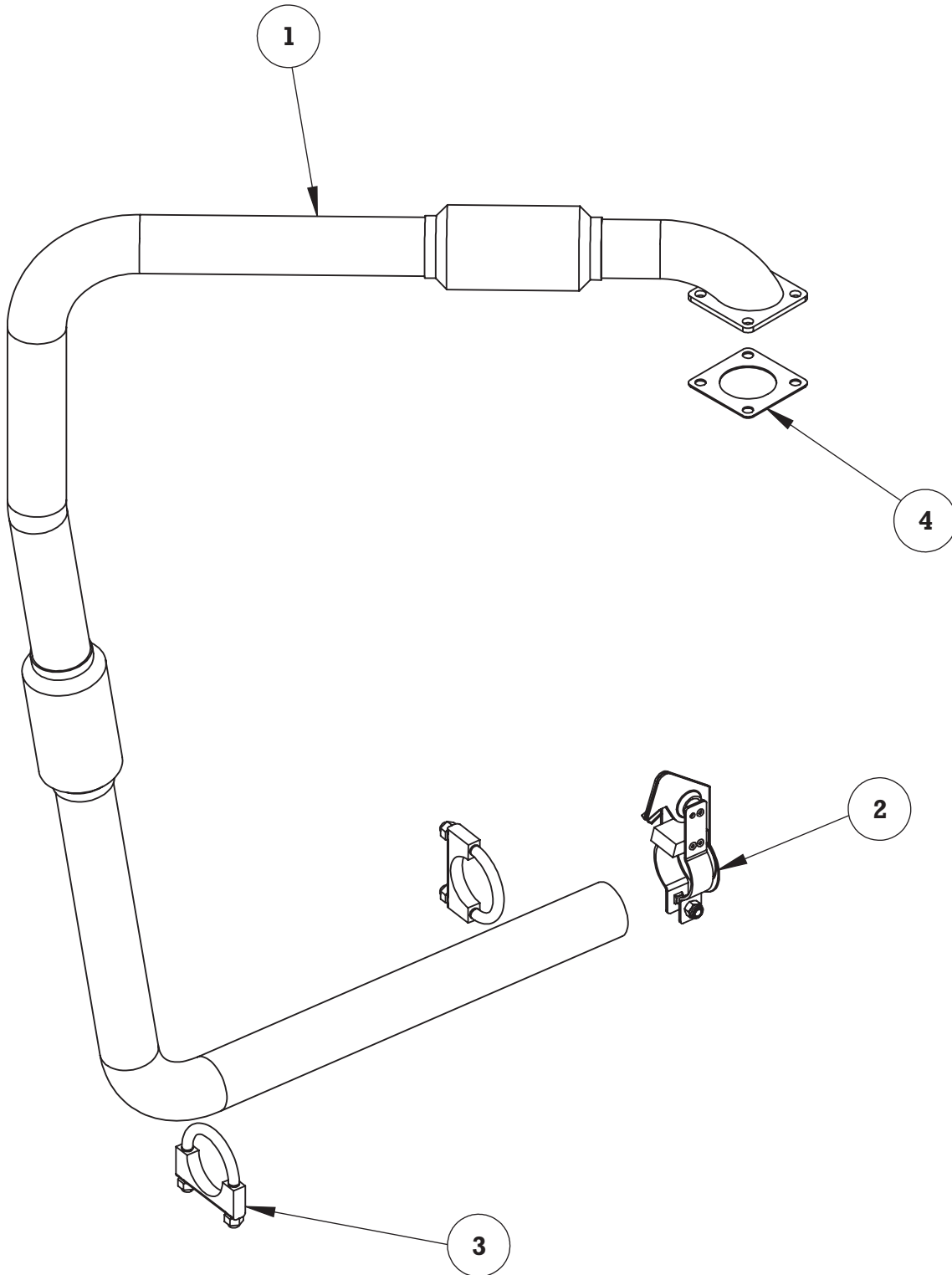
ITEM	QTY.	PART NUMBER	DESCRIPTION
1	1	097-20817	ENGINE KIT V2403-CR-TIE4B-KEA-1
2	REF.	097-20910-02	HAYES PUMP DRIVE (COUPLER) #961488
3	2	097-20841	HYDRO MOUNT (ANTI-VIBRATION ENGINE MOUNT - 50SH)
4	2	097-24262	HYDRO MOUNT (ANTI-VIBRATION ENGINE MOUNT - 60SH)
5	1	097-21437	LH REAR ENGINE SUPPORT (BC3-6560)
6	1	097-21438	RH REAR ENGINE SUPPORT (BC3-6560)
7	1	097-21440	FRONT LH ENGINE SUPPORT WELDMENT
8	1	097-21441	FRONT RH ENGINE SUPPORT WELDMENT
9	1	097-20290	VARIABLE DISPLACEMENT PUMP MPV046
10	1	097-20189	TANDEM GEAR PUMP
11	1	097-00851	O-RING
12	1	097-20818	FAN - MULTIWING FOR BC3-6560
13	1	097-20820	ENGINE FAN SPACER - 1-1/2"
14	4	850-01050	HHCS M6 X 60 GR. 10.9
15	1	097-20827	ECU COVER - BC3-6560



# Bright Forklift

**BC3-6560**

**THREE WHEEL FORKLIFT ASSEMBLY (097-21434)**





# Bright Forklift

**BC3-6560**

## THREE WHEEL FORKLIFT ASSEMBLY (097-21434)

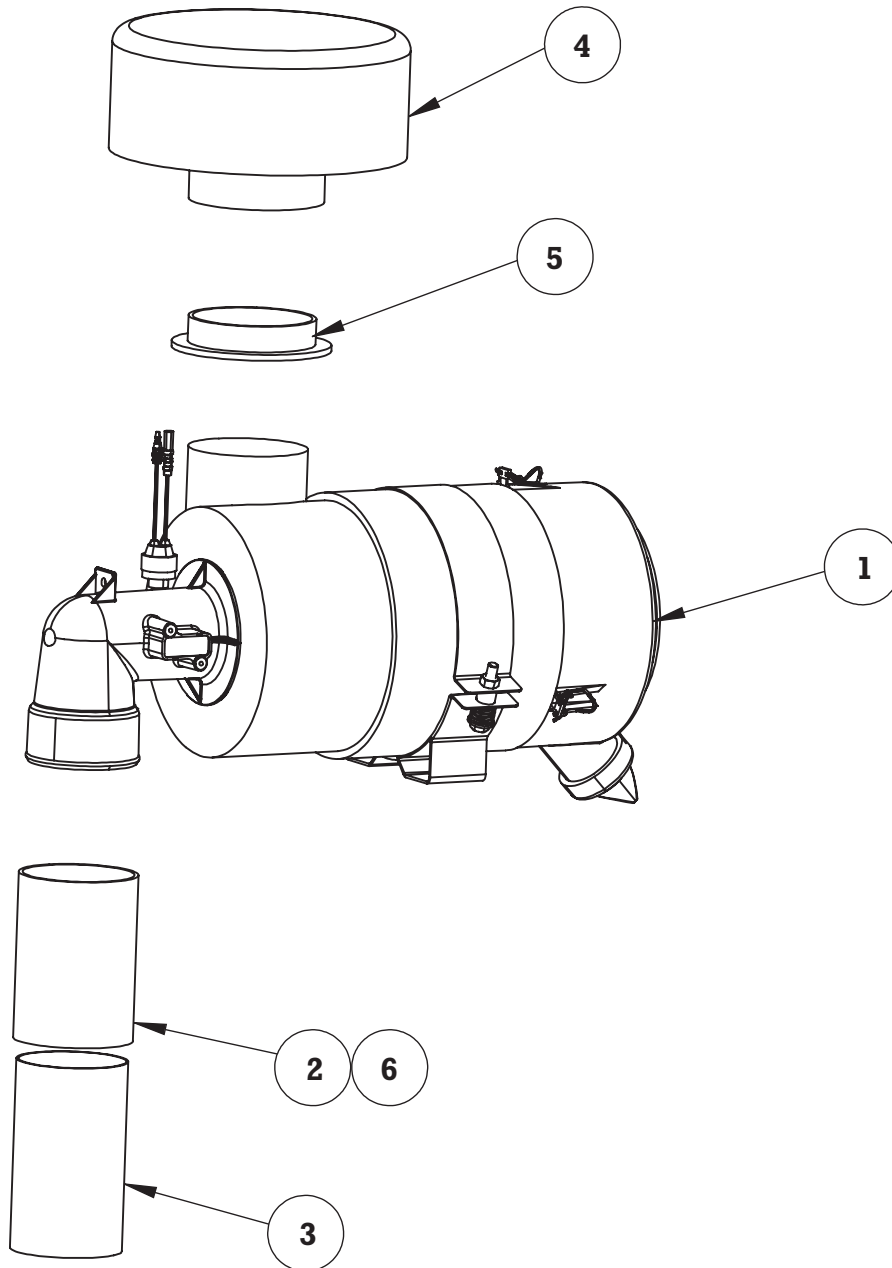
ITEM	QTY.	PART NUMBER	DESCRIPTION
1	1	097-21439	EXHAST PIPE WELDMENT - BC3-6560
2	1	097-20865	RAIN CAP - 2" PIPE
3	2	430-00370	2" MUFFLER CLAMP
4	1	097-00489	MUFFLER GASKET



# Bright Forklift

**BC3-6560**

**AIR CLEANER CIRCUIT (097-21435)**





# Bright Forklift

**BC3-6560**

**AIR CLEANER CIRCUIT (097-21435)**

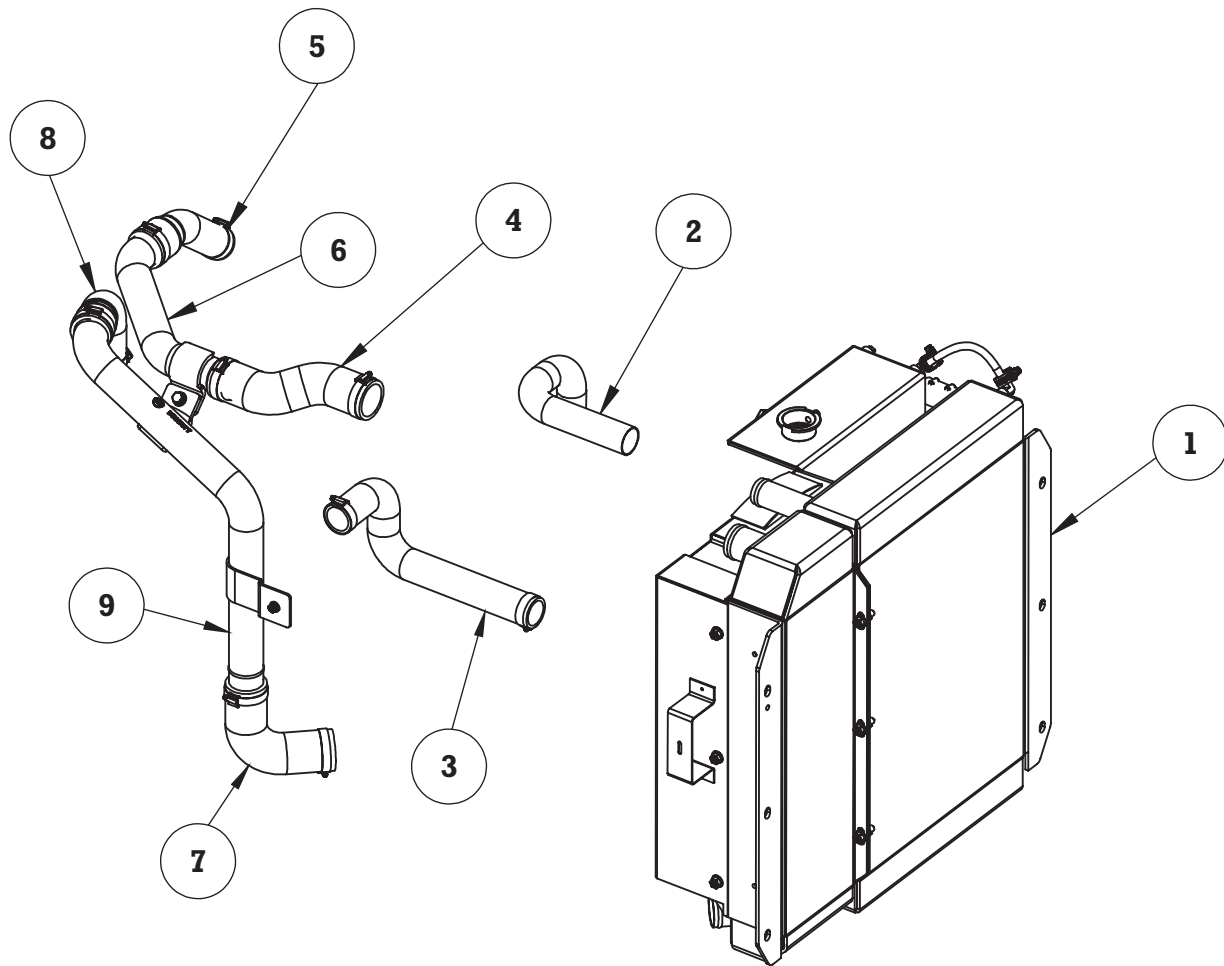
ITEM	QTY.	PART NUMBER	DESCRIPTION
1	REF.	097-20963	AIR CLEANER ASSEMBLY (BC3-6560)
2	REF.	097-20822	RUBBER STRAIGHT COUPLING
3	1	097-20824	INTAKE TUBE
4	1	098-00824	PRE-CLEANER
5	1	098-01167	INSERT SLEEVE REDUCER - 4" TO 3-3/4"
6	3	098-00788	T-BOLT CLAMP



# Bright Forklift

**BC3-6560**

**COOLING CIRCUIT ASSEMBLY (097-21436)**







# Bright Forklift

**BC3-6560**

**COOLING CIRCUIT ASSEMBLY (097-21436)**

V	QTY.	PART NUMBER	DESCRIPTION
1	1	097-20793	RADIATOR - BC3-6560
2	1	097-20826	UPPER RADIATOR HOSE - BC3-6560
3	1	097-20830	LOWER RADIATOR HOSE - BC3-6560
4	1	097-20831-01	UPPER CAC RUBBER END - RADIATOR SIDE
5	1	097-20831-02	UPPER CAC RUBBER END - ENGINE SIDE
6	1	097-20831-03	UPPER CAC CENTER PIPE
7	1	097-20832-01	LOWER CAC RUBBER END - RADIATOR SIDE
8	1	097-20832-02	LOWER CAC RUBBER END - ENGINE SIDE
9	1	097-20832-03	LOWER CAC CENTER PIPE





# Bright Forklift

**BC3-6560**

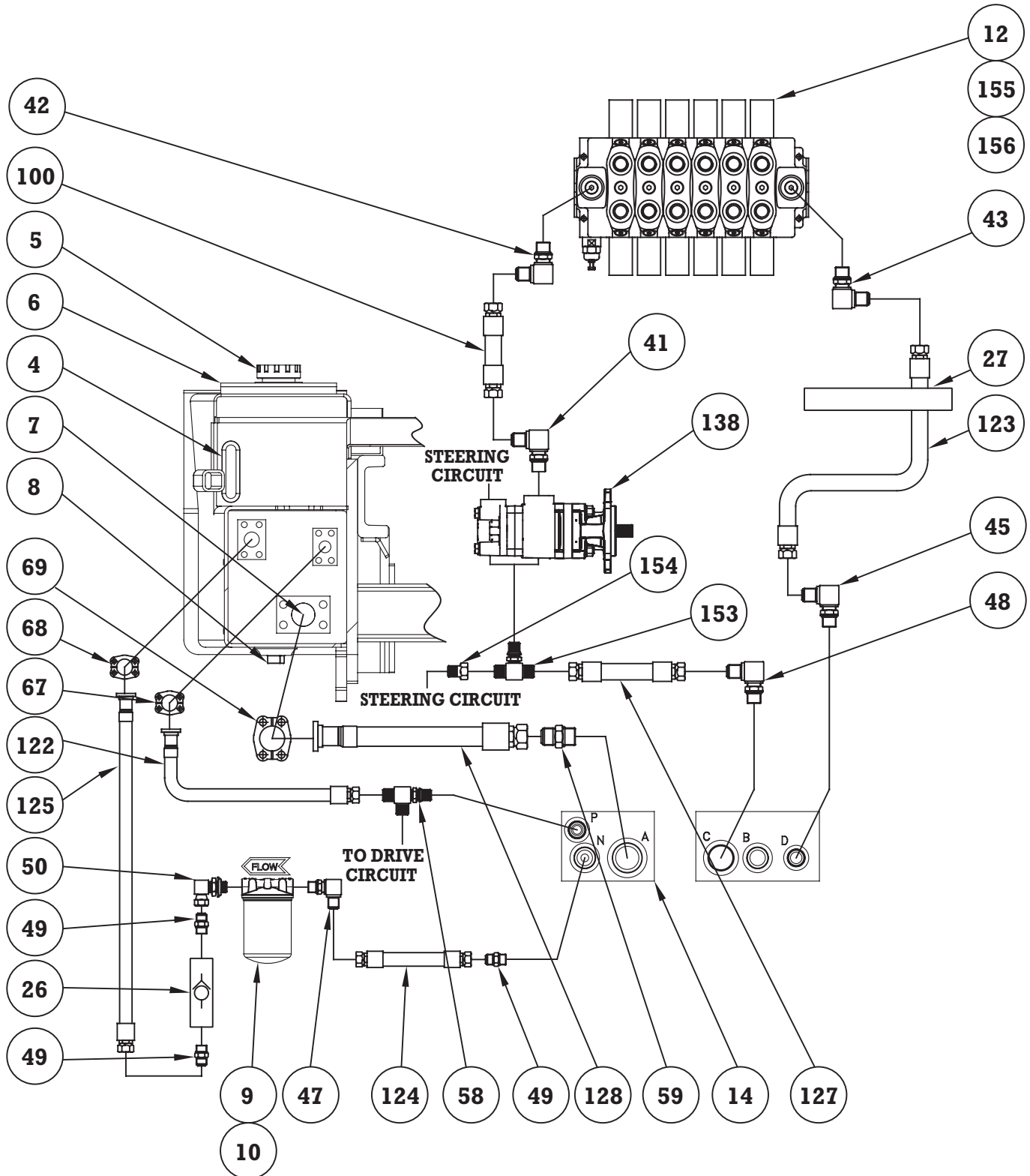
## SECTION 4

# FORKLIFT CIRCUITS

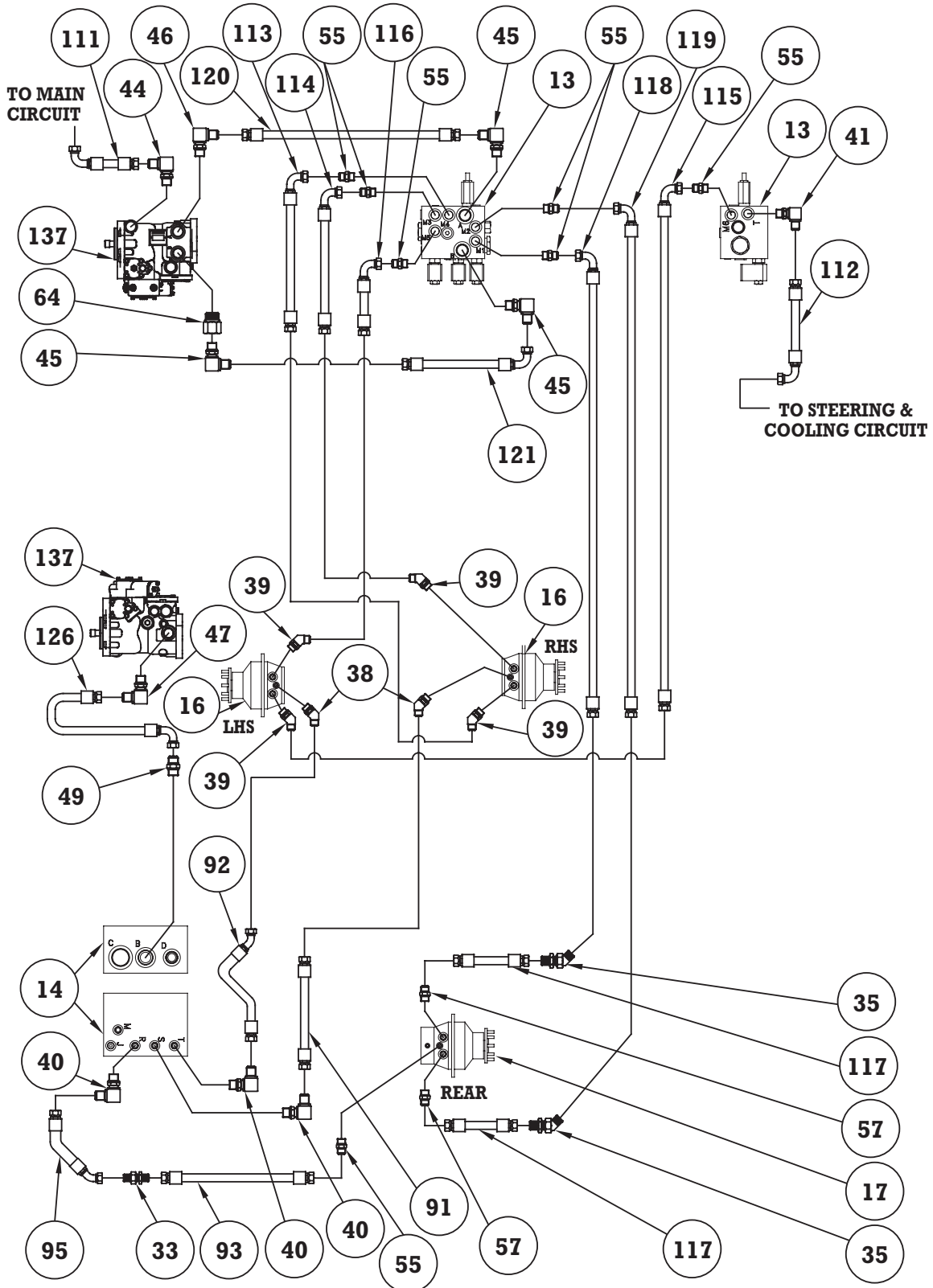
### CONTENTS

HYDRAULIC CIRCUIT (097-21510B).....	4-2
MAIN CIRCUIT .....	4-2
DRIVE CIRCUIT .....	4-3
PARKING BRAKE & FNR CIRCUITS .....	4-4
STEERING & COOLING CIRCUITS .....	4-5
LIFT CIRCUIT .....	4-6
HORIZONTAL CARRIAGE CIRCUIT .....	4-7
TILT CIRCUIT.....	4-8
SIDESHIFT CIRCUIT .....	4-9
ROTATOR CIRCUIT.....	4-10
STABILIZER CIRCUIT .....	4-11
HYDRAULIC CIRCUIT PARTS DESCRIPTIONS BY ITEM NUMBER .....	4-12
TRACTION BLOCK BC3-6560 - 2023 (097-20882) .....	4-16
PARKING BRAKE, INLET & RETURN MANIFOLD (097-21517).....	4-18
FUEL CIRCUIT (097-21520B) .....	4-20
LIGHT ASSEMBLY (097-21532) .....	4-22
DASH ASSEMBLY (097-21549A) .....	4-24
ELECTRICAL CIRCUIT (097-21552).....	4-26
MAST LIFT CYLINDER (097-20442).....	4-28
FREELIFT CYLINDER (097-20871) .....	4-30
TILT CYLINDER (097-20180) .....	4-32
SIDESHIFT CYLINDER (097-20176).....	4-34
ROTATOR CYLINDER (097-20444) .....	4-36
LEFT AND RIGHT HORIZONTAL CARRIAGE CYLINDER (097-20177).....	4-38
STABILIZER CYLINDER (097-20178) .....	4-40
STEERING CYLINDER (097-20179).....	4-42
HYDRAULIC TANK CLEANOUT ASSEMBLY WITH LOW OIL LEVEL	
SWITCH (097-21563).....	4-44
HYDRAULIC FLUID LEVEL SHUTOFF SENSOR (098-21541) .....	4-46
HYDRECO FOOT VALVE ASSEMBLY (097-20296H).....	4-48

### MAIN CIRCUIT



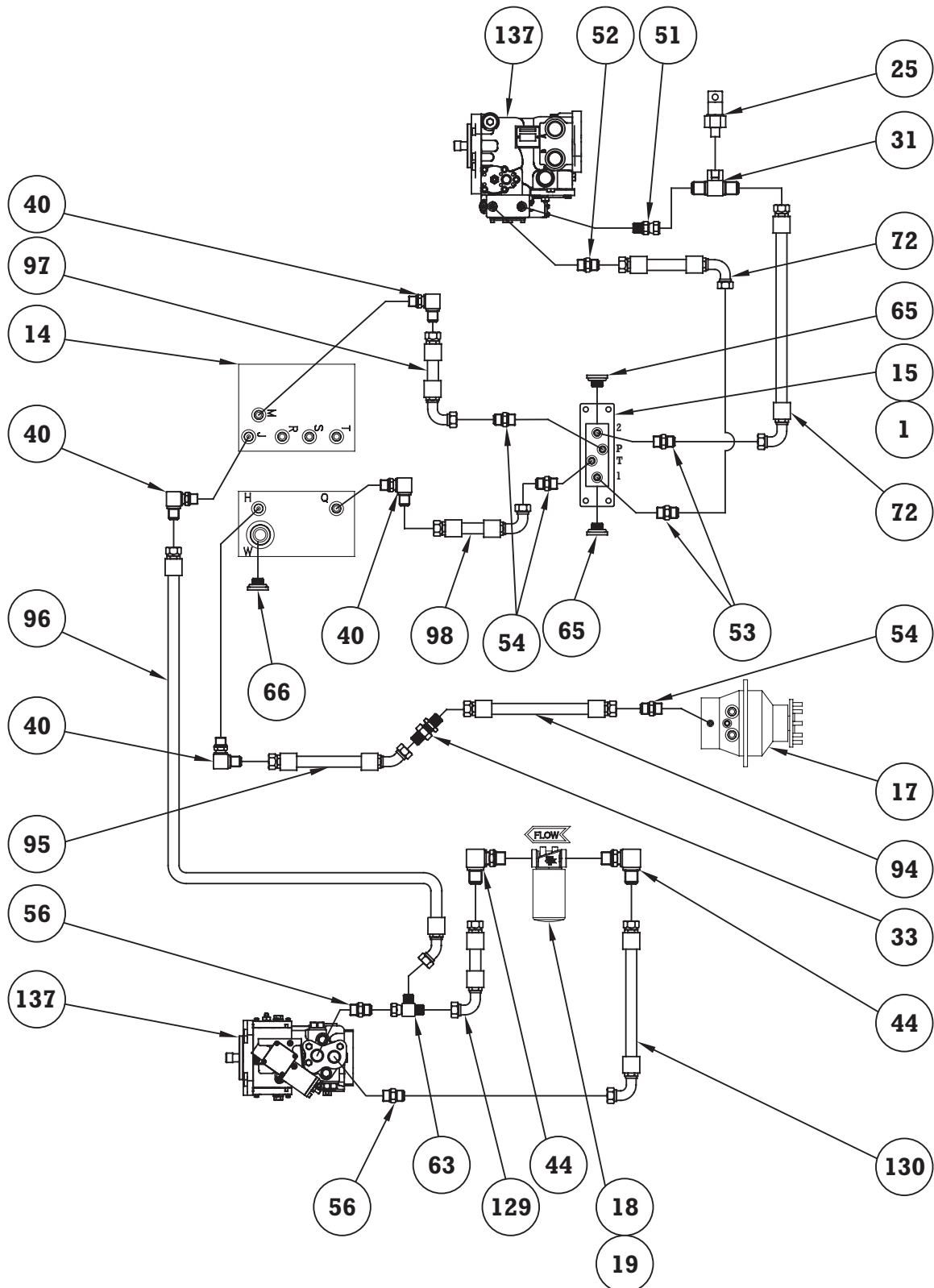
### DRIVE CIRCUIT



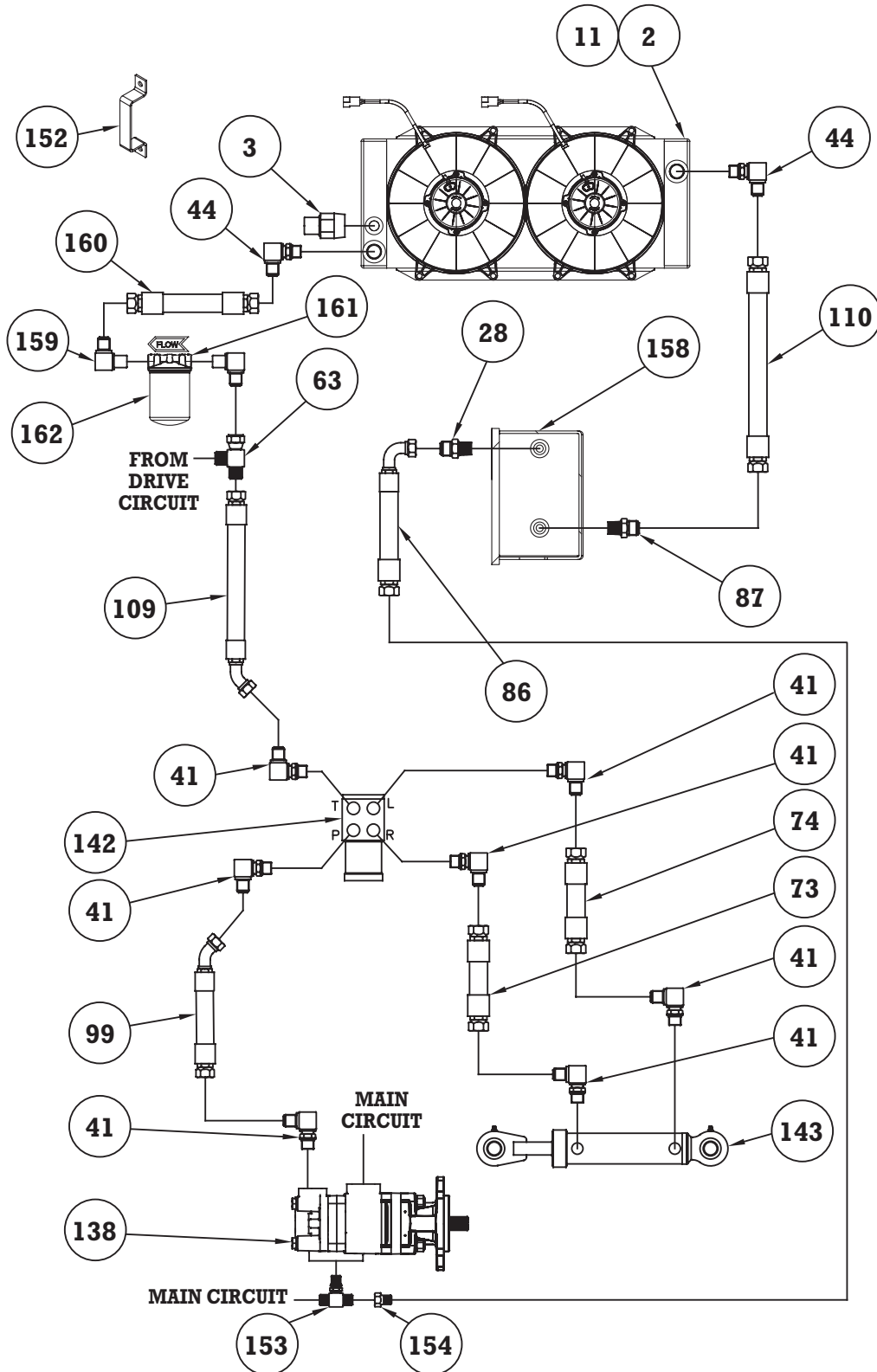
# Bright Forklift

**BC3-6560**

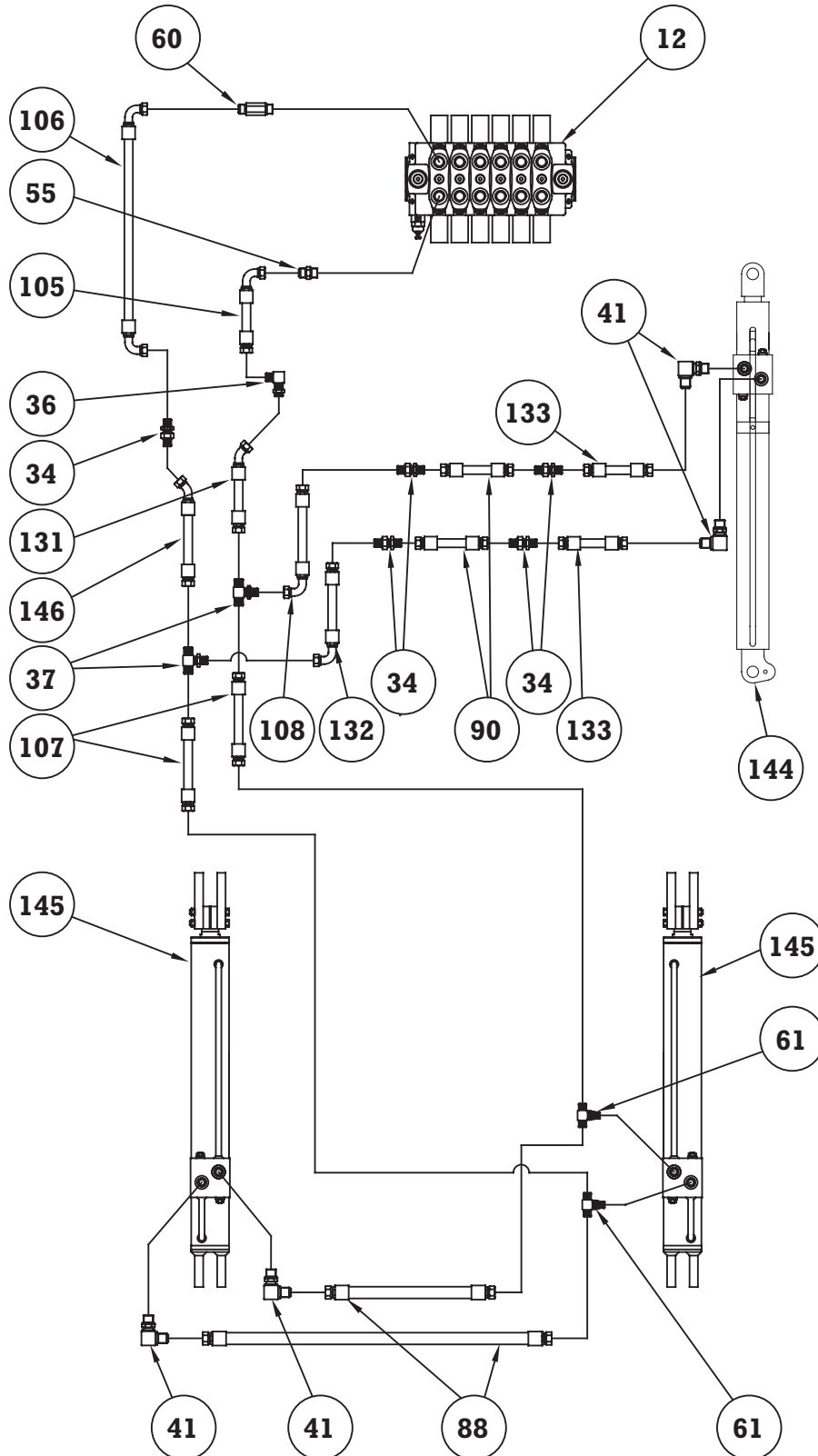
## PARKING BRAKE & FNR CIRCUITS



### STEERING & COOLING CIRCUITS

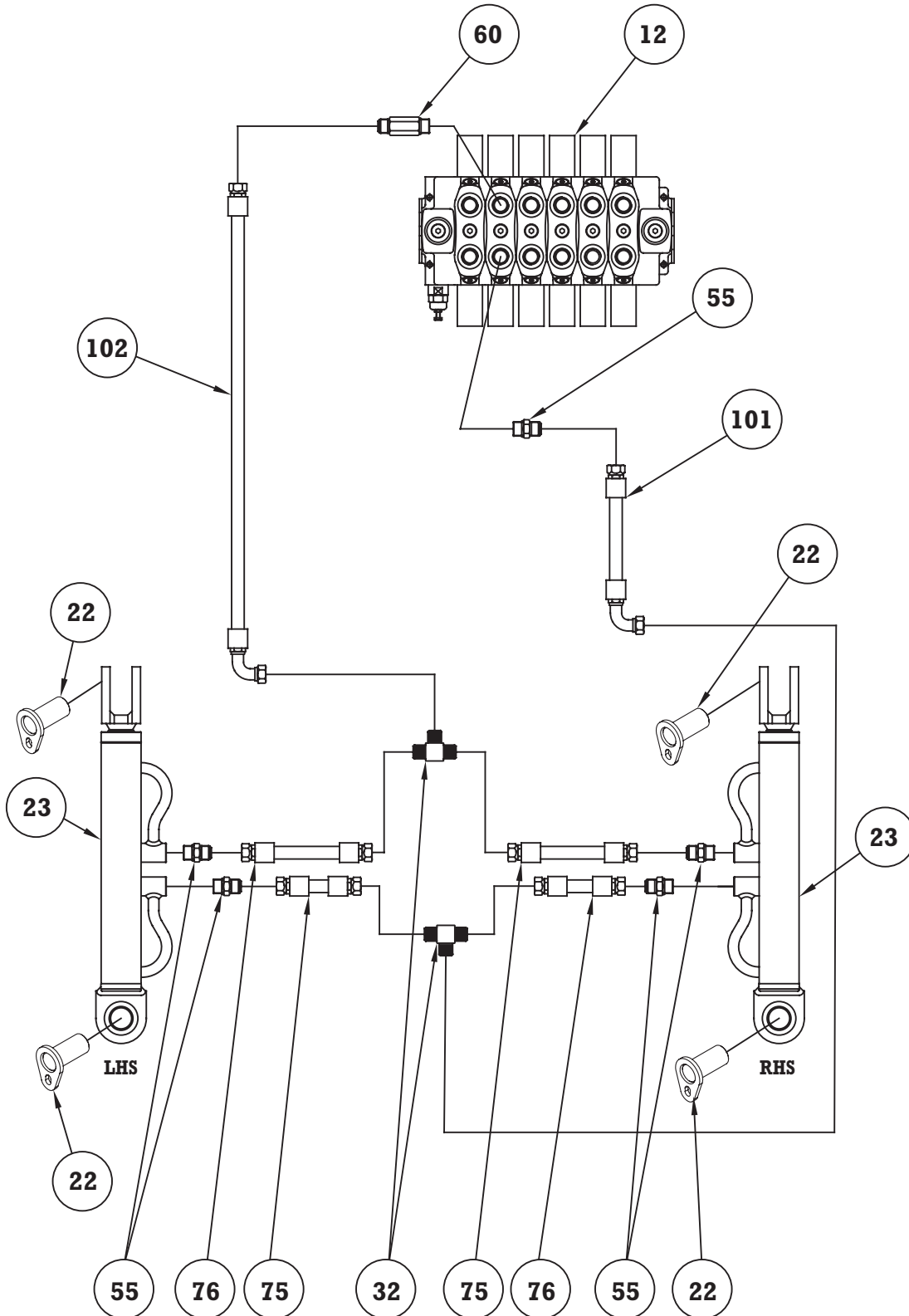


### LIFT CIRCUIT

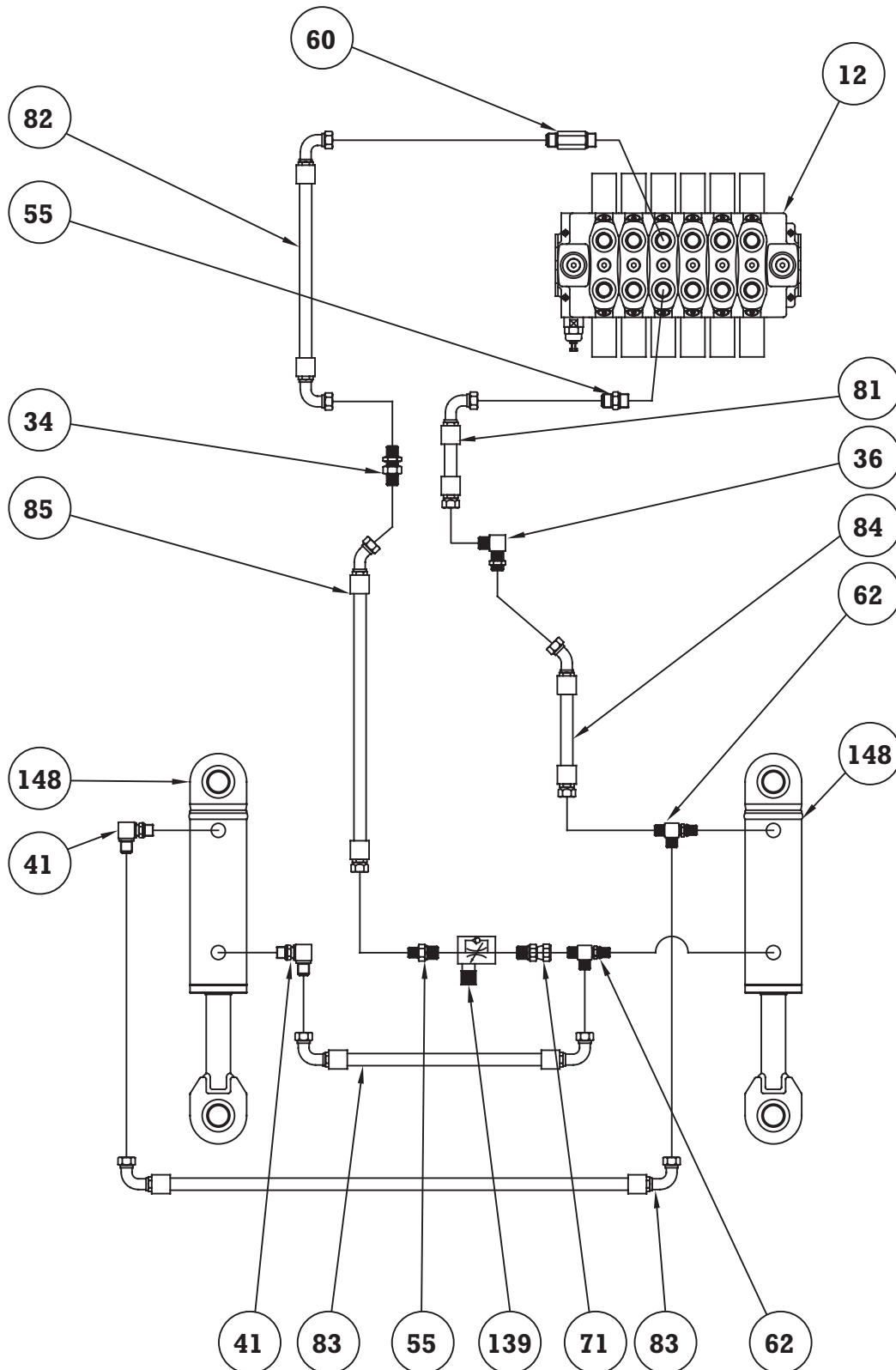




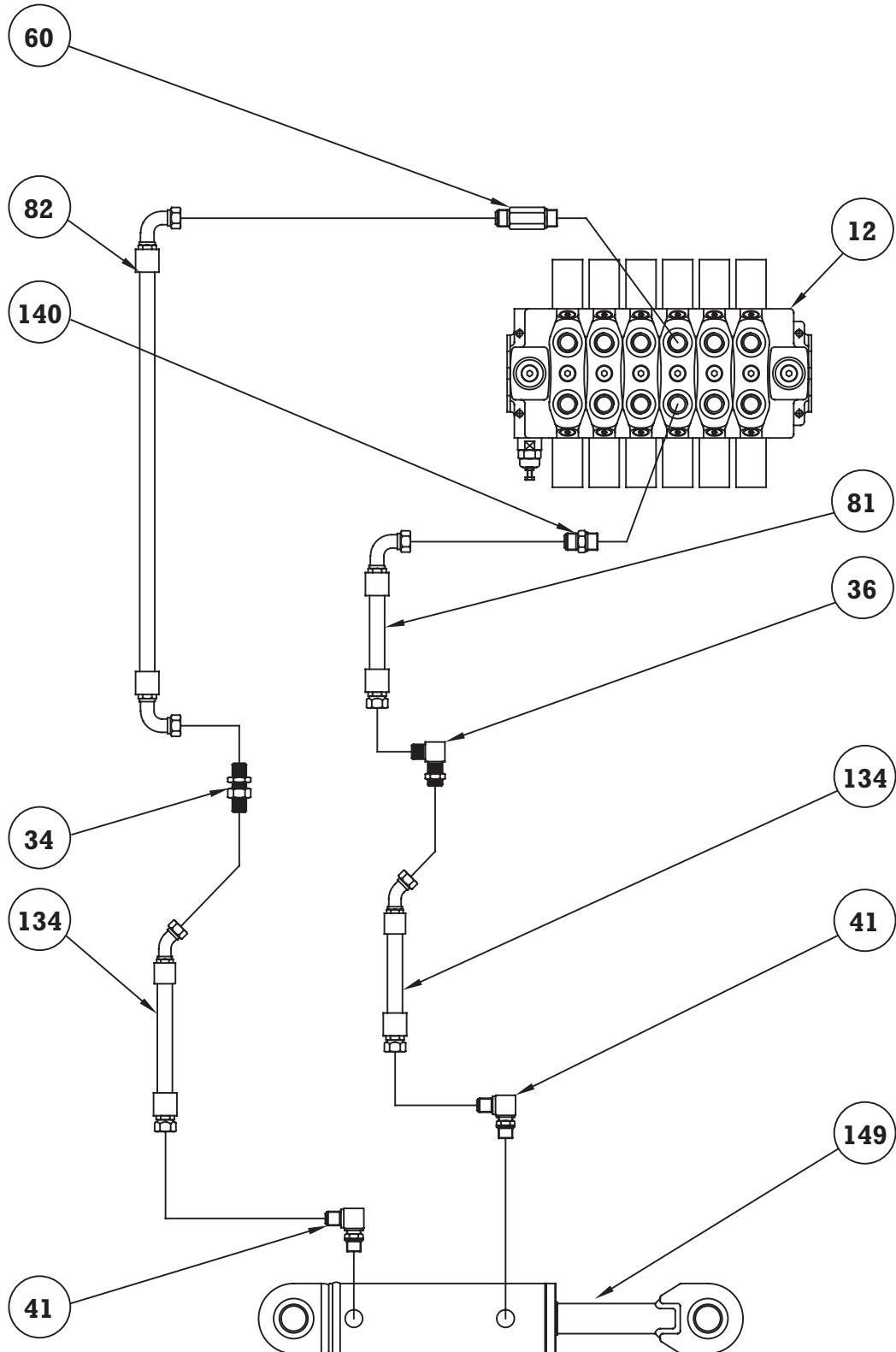
### HORIZONTAL CARRIAGE CIRCUIT



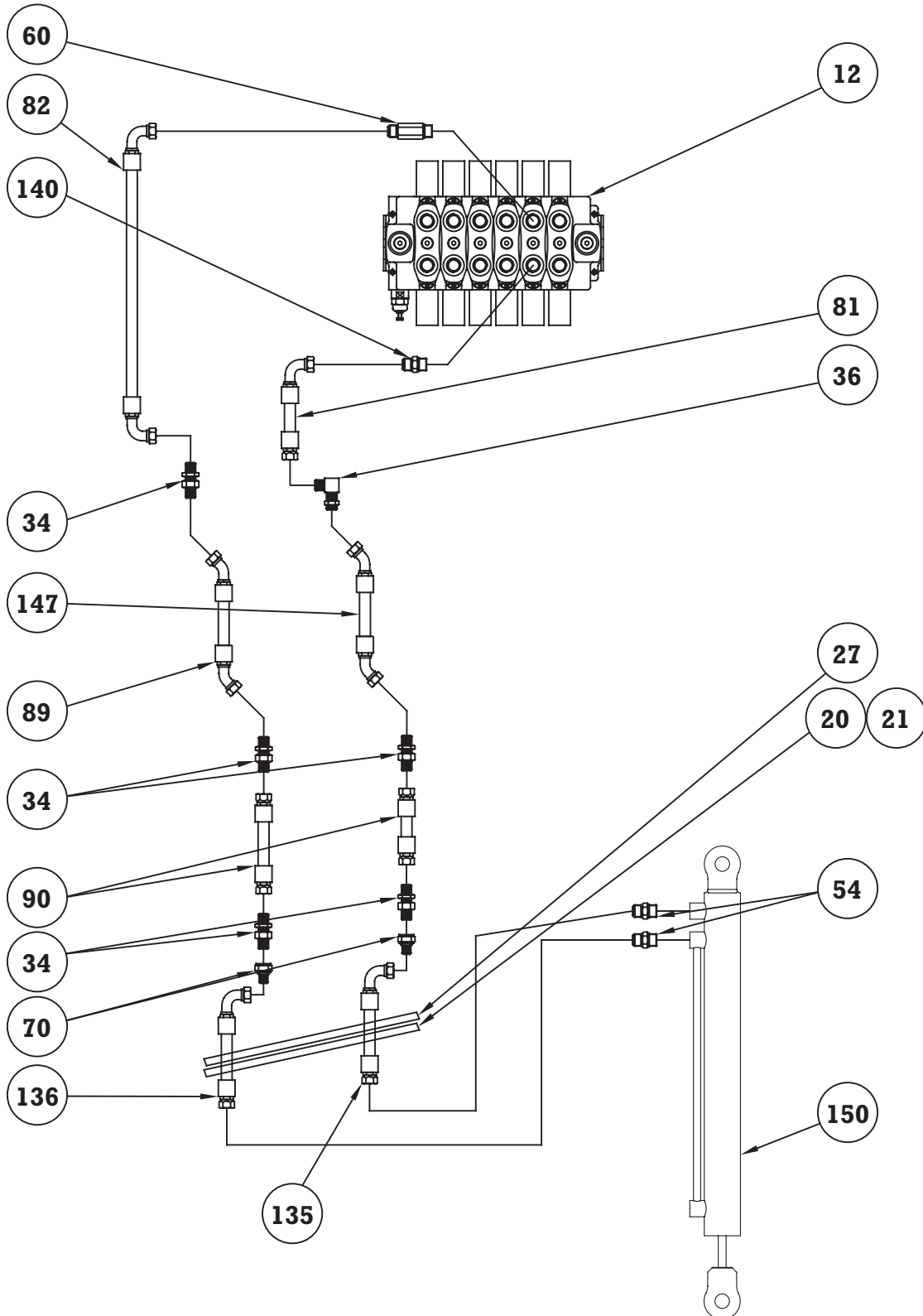
## TILT CIRCUIT



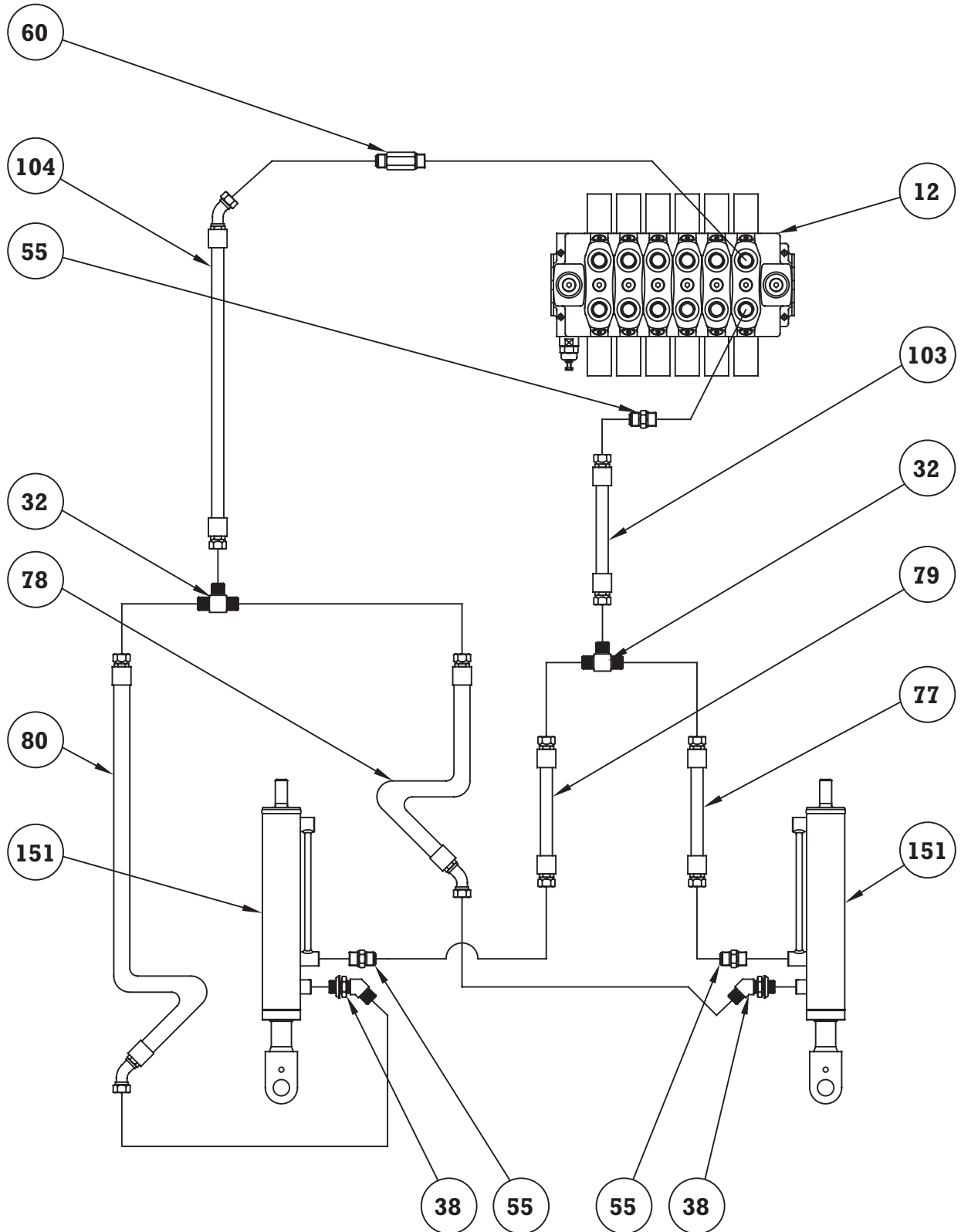
### SIDESHIFT CIRCUIT



## ROTATOR CIRCUIT



### STABILIZER CIRCUIT





# Bright Forklift

**BC3-6560**

## HYDRAULIC CIRCUIT PARTS DESCRIPTIONS BY ITEM NUMBER

ITEM	QTY.	PART NUMBER	DESCRIPTION
1	1	097-20183	FNR MOUNTING PLATE
2	1	097-21519	OIL COOLER WITH CONNECTOR
3	1	097-20289	TEMPERATURE SWITCH
4	1	097-00017	SIGHT GAUGE
5	1	350-00001	FILLER BREATHER
6	1	097-20160	CLEANOUT PLATE
7	1	097-20191	SUCTION STRAINER
8	1	510-00218	MAGNETIC PLUG
9	1	097-20194	RETURN FILTER HEAD
10	1	230-00060	RETURN FILTER ELEMENT
11	1	097-20809	OIL COOLER SUPPORT
12	1	097-20295	MONOBLOCK CONTROL VALVE
13	1	097-21516	MANIFOLD BLOCK ASSEMBLY (TRACTION)
14	1	097-21517	MANIFOLD BLOCK ASSEMBLY (PARKING BRAKE, SUCTION, RETURN)
15	1	097-20296H	FNR FOOT VALVE
16	2	097-00034	FRONT DRIVE MOTOR
17	1	097-00035	REAR DRIVE MOTOR
18	1	097-20286	PRESSURE FILTER HEAD
19	1	097-20287	PRESSURE FILTER ELEMENT
20	1	097-20326	HYDRAULIC HOSE GUIDE
21	1	097-20327	HYDRAULIC HOSE GUIDE MOUNTING KIT
22	4	097-21512	HORIZONTAL CARRIAGE CYLINDER PIN
23	1	097-20177L	HORIZONTAL CARRIAGE LEFT HAND SIDE CYLINDER
24	1	097-20177R	HORIZONTAL CARRIAGE RIGHT HAND SIDE CYLINDER
25	1	097-20364	BACKUP ALARM SWITCH
26	1	097-20368	RETURN CHECK VALVE
27	1	330-00174	3/8" HOSE CLAMPING DEVICE
28	1	330-00018	STRAIGHT ADAPTER (NPT - JIC)
29	1	097-20873	HOSE KIT
30	1	097-20857	ADAPTER KIT
31	1	330-00657	FEMALE BRANCH TEE (JIC - JIC - NPT)
32	4	330-00238	UNION TEE (JIC - JIC - JIC)
33	2	330-00658	BULKHEAD UNION (JIC - JIC)
34	12	330-00659	BULKHEAD UNION (JIC - JIC)
35	2	330-00660	45° BULKHEAD UNION ELBOW (JIC - JIC)
36	4	330-00105	BULKHEAD UNION ELBOW (JIC - JIC)
37	2	330-00131	BULKHEAD BRANCH TEE (JIC - JIC - JIC)
38	4	330-00562	45° STRAIGHT THREAD ELBOW (JIC - ORB)
39	4	330-00661	45° STRAIGHT THREAD ELBOW (JIC - ORB)
40	7	330-00114	STRAIGHT THREAD ELBOW (JIC - ORB)
41	17	330-00115	STRAIGHT THREAD ELBOW (JIC - ORB)
42	1	330-00107	STRAIGHT THREAD ELBOW (JIC - ORB)
43	1	330-00106	STRAIGHT THREAD ELBOW (JIC - ORB)
44	5	330-00662	STRAIGHT THREAD ELBOW (JIC - ORB)



# Bright Forklift

**BC3-6560**

## HYDRAULIC CIRCUIT PARTS DESCRIPTIONS BY ITEM NUMBER

ITEM	QTY.	PART NUMBER	DESCRIPTION
45	5	330-00108	STRAIGHT THREAD ELBOW (JIC - ORB)
46	1	330-00110	STRAIGHT THREAD ELBOW (JIC - ORB)
47	2	330-00111	STRAIGHT THREAD ELBOW (JIC - ORB)
48	1	330-00112	STRAIGHT THREAD ELBOW (JIC - ORB)
49	4	330-00237	STRAIGHT THREAD CONNECTOR (JIC - ORB)
50	1	330-00663	SWIVEL ELBOW CONNECTOR (ORB - JIC - SWIVEL)
51	1	330-00664	SWIVEL STRAIGHT CONNECTOR (JIC SWIVEL - ORB)
52	1	330-00042	STRAIGHT THREAD CONNECTOR (JIC - ORB)
53	2	330-00665	STRAIGHT THREAD CONNECTOR (JIC - ORB)
54	5	330-00043	STRAIGHT THREAD CONNECTOR (JIC - ORB)
55	18	330-00046	STRAIGHT THREAD CONNECTOR (JIC - ORB)
56	2	330-00036	STRAIGHT THREAD CONNECTOR (JIC - ORB)
57	2	330-00039	STRAIGHT THREAD CONNECTOR (JIC - ORB)
58	1	330-00677	STRAIGHT THREAD RUN TEE (JIC - ORB - JIC)
59	1	330-00041	STRAIGHT THREAD CONNECTOR (JIC - ORB)
60	6	330-00666	LONG STRAIGHT THREAD CONNECTOR (JIC - ORB)
61	2	330-00117	STRAIGHT THREAD BRANCH TEE (JIC - JIC - ORB)
62	2	330-00667	STRAIGHT THREAD RUN TEE (JIC - ORB - JIC)
63	2	330-00243	SWIVEL NUT RUN TEE (JIC - JIC SWIVEL - JIC)
64	1	330-00668	STRAIGHT THREAD REDUCER (ORB - ORB)
65	2	330-00669	HOLLOW HEX PLUG (ORB)
66	1	330-00670	HOLLOW HEX PLUG (ORB)
67	1	330-00671	SPLIT FLANGE CLAMP KIT
68	1	330-00672	SPLIT FLANGE CLAMP KIT
69	1	330-00673	SPLIT FLANGE CLAMP KIT
70	2	330-00103	REDUCER (JIC - JIC)
71	1	330-00631	SWIVEL STRAIGHT THREAD CONNECTOR (JIC FEMALE SWIVEL - ORB)
72	2	097-20501	HOSE 1/4" (FNR VALVE 1" OR 2" TO PUMP CONTROL)
73	1	097-20502	HOSE 3/8" (STEERING UNIT "R" TO CYLINDER ROD)
74	1	097-20503	HOSE 3/8" (STEERING UNIT "L" TO CYLINDER BORE)
75	2	097-20504	HOSE 3/8" (TEE TO HORIZONTAL CARRIAGE CYLINDER)
76	2	097-20505	HOSE 3/8" (TEE TO HORIZONTAL CARRIAGE CYLINDER)
77	1	097-20506	HOSE 3/8" (TEE STABILIZER CYLINDER BORE TO RHS CYLINDER BORE)
78	1	097-20507	HOSE 3/8" (TEE STABILIZER CYLINDER ROD TO RHS CYLINDER ROD)
79	1	097-20508	HOSE 3/8" (TEE STABILIZER CYLINDER BORE TO LHS CYLINDER BORE)
80	1	097-20509	HOSE 3/8" (TEE STABILIZER CYLINDER ROD TO LHS CYLINDER ROD)
81	3	097-20700	HOSE 3/8" (CONT V. TILT, SS OR ROT FRONT TO BULKHEAD TOP)
82	3	097-20701	HOSE 3/8" (CONT V. TILT, SS OR ROT REAR TO BULKHEAD BOTTOM)
83	2	097-20692	HOSE 3/8" (RHS TILT CYLINDER TO LHS TILT CYLINDER)
84	1	097-20693	HOSE 3/8" (BULKHEAD TOP TO RHS TILT CYLINDER BORE)
85	1	097-20694	HOSE 3/8" (BULKHEAD BOTTOM TO RHS TILT CYLINDER ROD)
86	1	097-20739	HOSE 3/4" (FROM RHS HYDRAULIC TANK TO HYDRAULIC PUMP INLET TEE)
87	1	330-00020	STRAIGHT ADAPTER (NPT - JIC)
88	2	097-20517	HOSE 3/8" (RHS LIFT CYLINDER TO LHS LIFT CYLINDER)



# Bright Forklift

**BC3-6560**

## HYDRAULIC CIRCUIT PARTS DESCRIPTIONS BY ITEM NUMBER

ITEM	QTY.	PART NUMBER	DESCRIPTION
89	1	097-20697	HOSE 3/8" (HORIZONTAL CARRIAGE BULKHEAD TO LHS OUTER MAST BULKHEAD)
90	4	097-20519	HOSE 3/8" (OUTER MAST BULKHEAD TO INNER MAST BULKHEAD)
91	1	097-20520	HOSE 3/8" (RHS MOTOR DRAIN TO MANIFOLD BLOCK "S")
92	1	097-20521	HOSE 3/8" (RHS MOTOR DRAIN TO MANIFOLD BLOCK "T")
93	1	097-20522	HOSE 3/8" (REAR MOTOR DRAIN TO BULKHEAD TOP)
94	1	097-20523	HOSE 3/8" (REAR MOTOR PARKING BRAKE TO BULKHEAD BOTTOM)
95	2	097-20524	HOSE 3/8" (BULKHEAD TOP OR BOTTOM TO MANIFOLD BLOCK "R" OR "H")
96	1	097-20525	HOSE 3/8" (CHARGE PRESSURE TO MANIFOLD BLOCK "J")
97	1	097-20526	HOSE 3/8" (MANIFOLD BLOCK "M" TO FNR VALVE "P")
98	1	097-20527	HOSE 3/8" (FNR VALVE TO MANIFOLD BLOCK "C")
99	1	097-20528	HOSE 1/2" (PUMP TO STEERING UNIT "P")
100	1	097-20529	HOSE 1/2" (PUMP TO CONTROL VALVE)
101	1	097-20530	HOSE 1/2" (CONTROL VALVE FRONT TO TEE HORIZONTAL CARRIAGE CYLINDER BORE)
102	1	097-20531	HOSE 1/2" (CONTROL VALVE REAR TO TEE HORIZONTAL CARRIAGE CYLINDER ROD)
103	1	097-20532	HOSE 1/2" (CONTROL VALVE FRONT TO TEE STABILIZER CYLINDER BORE)
104	1	097-20533	HOSE 1/2" (CONTROL VALVE REAR TO TEE STABILIZER CYLINDER ROD)
105	1	097-20698	HOSE 1/2" (CONTROL VALVE LIFT FRONT TO BULKHEAD SUPPORT TOP)
106	1	097-20699	HOSE 1/2" (CONTROL VALVE LIFT REAR TO BULKHEAD SUPPORT BOTTOM)
107	2	097-20705	HOSE 1/2" (HORIZONTAL CARRIAGE BULKHEAD TO RHS LIFT CYLINDER BORE)
108	1	097-20690	HOSE 3/8" (HORIZONTAL CARRIAGE BULKHEAD TOP TO OUTER MAST BULKHEAD)
109	1	097-20702	HOSE 1/2" (STEERING UNIT "T" TO FILTER)
110	1	097-20703	HOSE 1/2" (COOLER TO RHS HYDRAULIC TANK)
111	1	097-20540	HOSE 1/2" (PUMP DRAIN TO MANIFOLD BLOCK "F")
112	1	097-20855	HOSE 1/2" (DRIVE BLOCK "T" TO FILTER)
113	1	097-20542	HOSE 1/2" (RHS MOTOR BOTTOM TO DRIVE BLOCK "M4")
114	1	097-20543	HOSE 1/2" (RHS MOTOR TOP TO DRIVE BLOCK "M3")
115	1	097-20544	HOSE 1/2" (LHS MOTOR BOTTOM TO DRIVE BLOCK "M6")
116	1	097-20545	HOSE 1/2" (LHS MOTOR TOP TO DRIVE BLOCK "M5")
117	2	097-20546	HOSE 1/2" (REAR MOTOR "L" OR "R" TO BULKHEAD TOP OR BOTTOM)
118	1	097-20547	HOSE 1/2" (BULKHEAD TOP TO DRIVE BLOCK "M1")
119	1	097-20548	HOSE 1/2" (BULKHEAD BOTTOM TO DRIVE BLOCK "M2")
120	1	097-20549	HOSE 3/4" (PUMP "A" TO DRIVE BLOCK "A")
121	1	097-20550	HOSE 3/4" (PUMP "B" TO DRIVE BLOCK "B")
122	1	097-20551	HOSE 3/4" (MANIFOLD BLOCK "P" TO TANK)
123	1	097-20552	HOSE 3/4" (CONTROL VALVE TO MAIN BLOCK "D")
124	1	097-20553	HOSE 1" (MANIFOLD BLOCK "N" TO RETURN FILTER)
125	1	097-20554	HOSE 1" (RETURN FILTER "N" TO TANK)
126	1	097-20555	HOSE 1" (MANIFOLD BLOCK "B" TO PUMP)
127	1	097-20556	HOSE 1-1/4" (MANIFOLD BLOCK "C" TO PUMP)
128	1	097-20557	HOSE 1-1/2" (TANK TO MANIFOLD BLOCK "A")
129	1	097-20867	HOSE 1/2" (CHARGE PUMP TO PRESSURE FILTER)
130	1	097-20868	HOSE 1/2" (PRESSURE FILTER TO PUMP)
131	1	097-20688	HOSE 1/2" (HORIZ. CARRIAGE BULKHEAD TO HORIZ. CARRIAGE TEE BULKHEAD TOP)
132	1	097-20691	HOSE 3/8" (HORIZ. CARRIAGE TEE BULKHEAD BOTTOM TO OUTER MAST BULKHEAD )





# Bright Forklift

**BC3-6560**

## HYDRAULIC CIRCUIT PARTS DESCRIPTIONS BY ITEM NUMBER

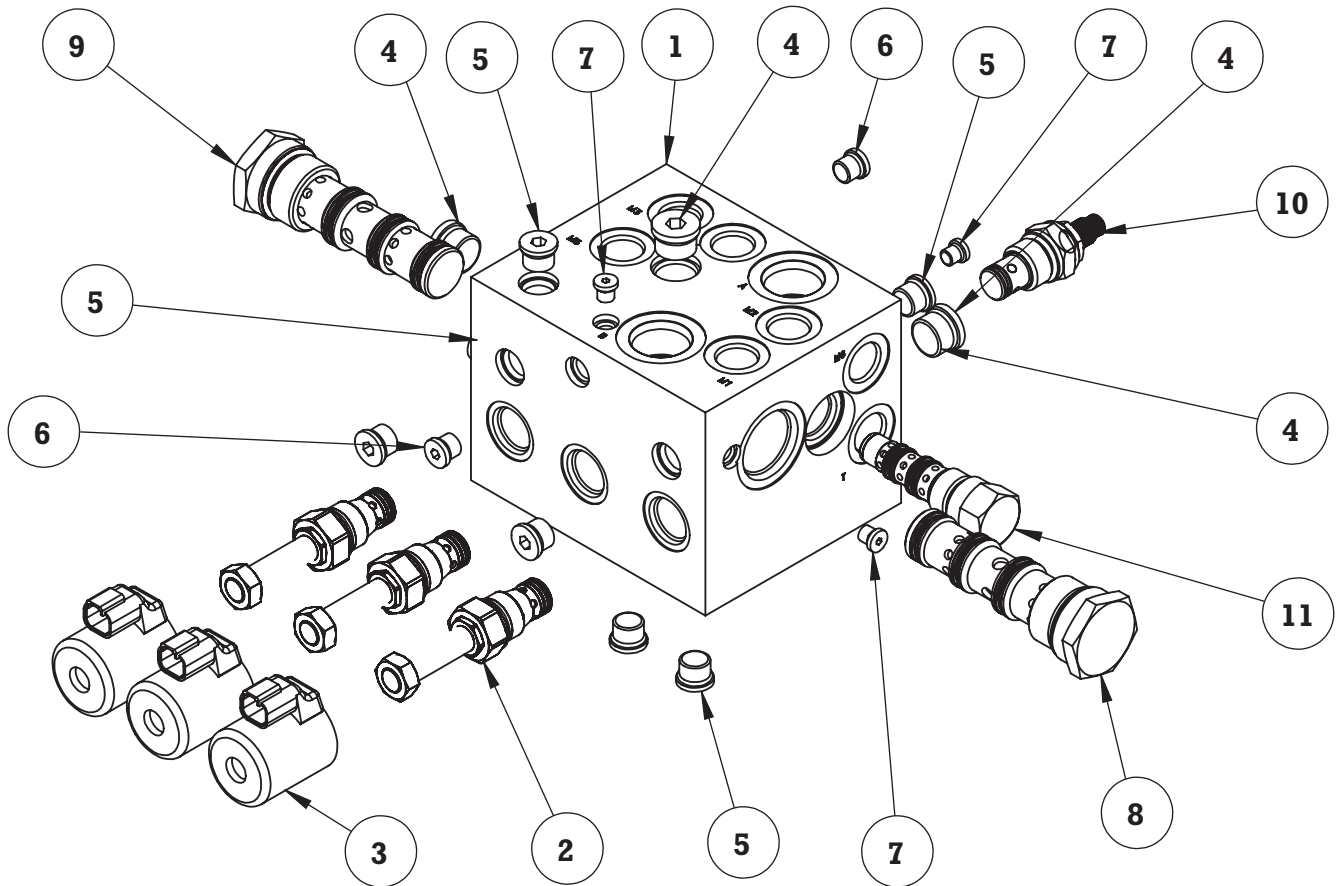
ITEM	QTY.	PART NUMBER	DESCRIPTION
133	2	097-20872	HOSE 3/8" (INNER MAST BULKHEAD TO FREE LIFT CYLINDER)
134	2	097-20695	HOSE 3/8" (HORIZONTAL CARRIAGE BULKHEAD TO SIDESHIFT CYLINDER)
135	1	097-20564	HOSE 1/4" (INNER MAST BULKHEAD TO ROTATOR CYLINDER BORE)
136	1	097-20565	HOSE 1/4" (INNER MAST BULKHEAD TO ROTATOR CYLINDER ROD)
137	1	097-20290	HYDROSTATIC PUMP
138	1	097-20189	MAIN HYDRAULIC PUMP
139	1	330-00630	FLOW CONTROL
140	2	330-00633	ORIFICE FITTING
141	1	330-00632	SIDEWINDER SLEEVE (NOT SHOWN)
142	1	460-00391	STEERING CONTROL UNIT
143	1	097-20179	STEERING CYLINDER
144	1	097-20871	FREELIFT CYLINDER
145	2	097-20442	LIFT CYLINDER (FREELIFT MAST)
146	1	097-20689	HOSE 1/2" (BOTTOM HORIZONTAL CARRIAGE BULKHEAD TO TEE BULKHEAD)
147	1	097-20696	HOSE 3/8" (TOP HORIZONTAL CARRIAGE BULKHEAD TO RHS MAST BULKHEAD)
148	2	097-20180	TILT CYLINDER
149	1	097-20176	SIDESHIFT CYLINDER
150	1	097-20444	ROTATOR CYLINDER (FREELIFT MAST)
151	2	097-20178	STABILIZER CYLINDER
152	1	097-20397	OMEGA SHAPED HOSE SUPPORT
153	1	330-00749	STRAIGHT THREAD BRANCH TEE (20 ORB - 20 JIC - 20 JIC)
154	1	330-00812	REDUCER (20JIC (F) - 12 JIC (M))
155	4	097-20391	6" LONG LEVER
156	2	097-20392	4-3/4" LONG LEVER
157	2	330-00676	HOLLOW HEX PLUG (ORB)
158	1	097-20597	RHS HYDRAULIC TANK CLEANOUT COVER
159	2	330-00086	FITTING, ELBOW - 3/4" NPT MALE X #8 JIC
160	1	097-20854	HOSE 1/2" (CONTROL VALVE LIFT FRONT TO BULKHEAD SUPPORT TOP)
161	1	230-00032	FILTER HEAD
162	1	230-00031-1	FILTER ELEMENT - ZAE - 10



# Bright Forklift

**BC3-6560**

TRACTION BLOCK BC3-6560 - 2023 (097-20882)





# Bright Forklift

**BC3-6560**

**TRACTION BLOCK BC3-6560 - 2023 (097-20882)**

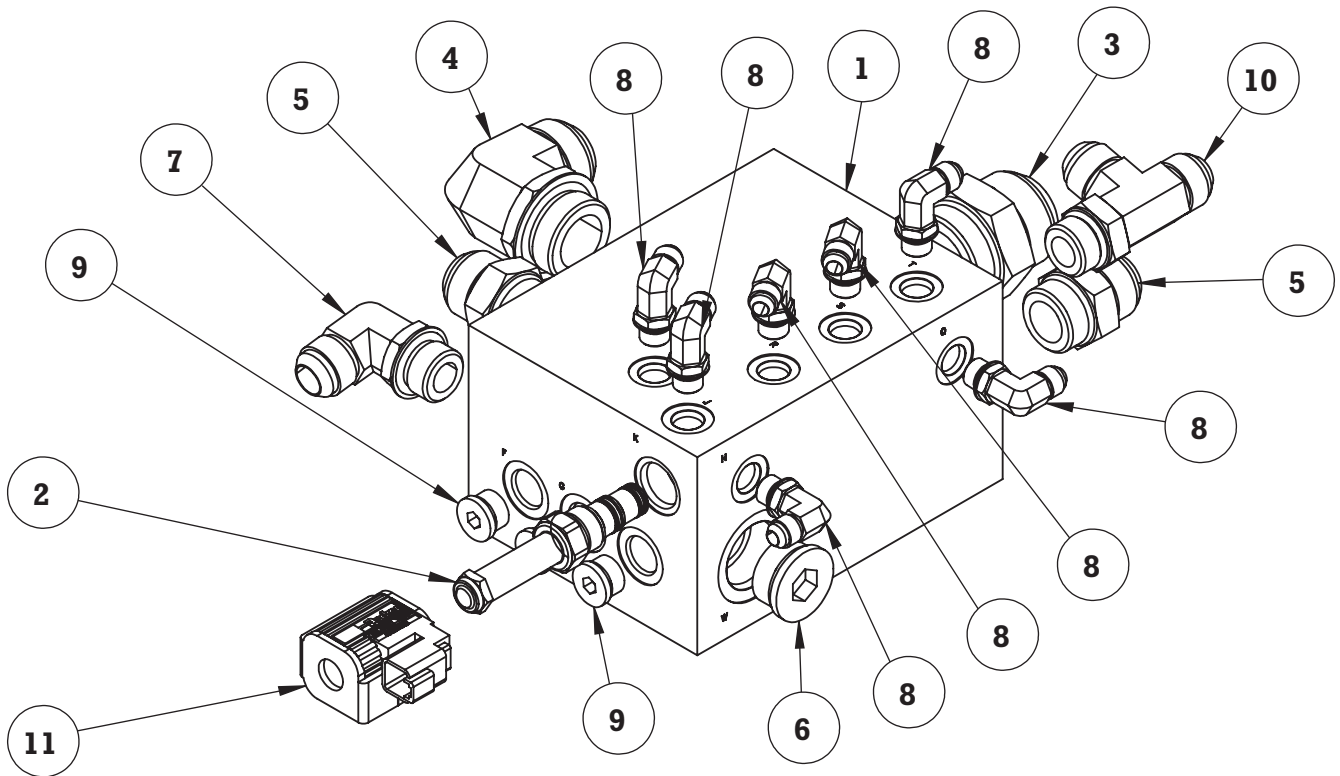
ITEM	QTY.	PART NUMBER	DESCRIPTION
1	1	097-20882-07	STEEL MANIFOLD BLOCK (TRACTION)
2	3	097-20882-05	2 WAY DIRECTIONAL SOLENOID VALVE
3	3	097-20882-06	COIL FOR CARTRIDGE VALVE
4	4	330-00676	SAE #8 PLUG
5	7	330-00669	SAE# 6 PLUG - ATTACH TO PLUG ON BACK SIDE
6	2	330-00669-1	SAE# 4 HOLLOW HEX PLUG
7	3	330-00679	SAE #2 PLUG
8	1	097-20882-03	FLOW DIVIDER VALVE (33/66)
9	1	097-20882-02	FLOW DIVIDER VALVE (50/50)
10	1	097-20882-04	RELIEF VALVE
11	1	097-20336	SHUTTLE VALVE
	1	091-21551PD	MAIN HARNESS UPDATED FOR POWER DISTRIBUTION



# Bright Forklift

**BC3-6560**

**PARKING BRAKE, INLET & RETURN MANIFOLD (097-21517)**





# Bright Forklift

**BC3-6560**

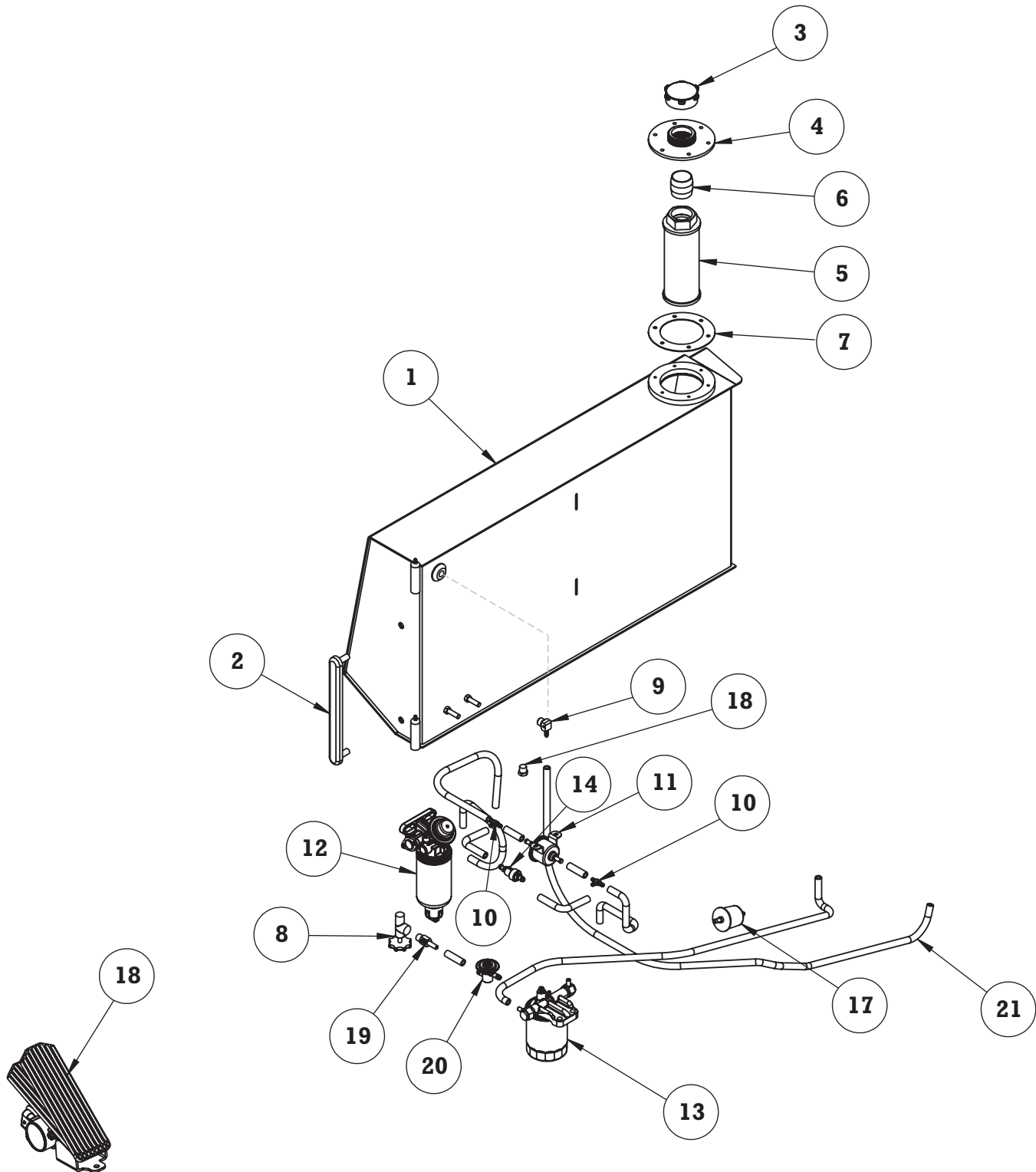
## PARKING BRAKE, INLET & RETURN MANIFOLD (097-21517)

ITEM	QTY.	PART NUMBER	DESCRIPTION
1	1	097-20297	PARKING BRAKE, INLET & RETURN MANIFOLD
2	1	097-20328	2 WAY - 3 POS. SOLENOID CARTRIDGE VALVE
3	1	330-00041	STRAIGHT ADAPTER (#24 ORB X #24 JIC)
4	1	330-00112	ELBOW FITTING - #20 ORB X #20 JIC
5	2	330-00237	STRAIGHT ADAPTOR SAE #16 MALE X JIC #16 MALE
6	1	330-00670	SAE #16 PLUG
7	1	330-00108	ELBOW FITTING - #12 ORB X #12 JIC
8	7	330-00114	FITTING - ELBOW #6 JIC X #6 ORB
9	3	330-00669-3	SAE #8 PLUG
10	1	330-00677	RUN TEE - #8 ORB X #8 JIC X #8 JIC
11	1	097-20329	12V COIL FOR 097-20328

# Bright Forklift

**BC3-6560**

**FUEL CIRCUIT (097-21520B)**





# Bright Forklift

**BC3-6560**

## FUEL CIRCUIT (097-21520B)

ITEM	QTY.	PART NUMBER	DESCRIPTION
1	1	097-21521A	FUEL TANK ASSEMBLY (60HP)
2	-	097-00016	SIGHT GAGE - FUEL
3	-	430-00350	FUEL CAP
4	-	097-21528	CLEAN OUT COVER WELDMENT
5	-	097-20191	TANK STRAINER
6	-	510-00216	NIPPLE 1-1/2" NPT - CLOSE
7	-	097-00809	FUEL TANK COVER GASKET
8	1	098-01257	FUEL VALVE
9	1	330-00578.2	MALE PIPE 90° ELBOW - 3/8" NPT X 5/16
10	2	330-00818	FITTING - HOSE BARB TEE
11	REF	097-20973	FUEL PUMP, ELECTRIC
12	REF	*097-20971	FUEL/WATER SEPERATOR
13	REF	*097-20970	FUEL FILTER
14	REF	097-20972	CHECK VALVE - FUEL
15	20	370-00022	MINI CLAMP - 7/32"-5/8"
16	1	097-20833	THROTTLE PEDAL
17	1	097-20736	DIESEL INLINE FILTER
18	1	REF	3/8" NPT PLUG
19	1	097-20880	ANTI-SIPHON - MOELLER 033808-10
20	1	097-20879	FUEL DEMAND VALVE
21	14 FT	430-00268	FUEL LINE HOSE - 5/16"

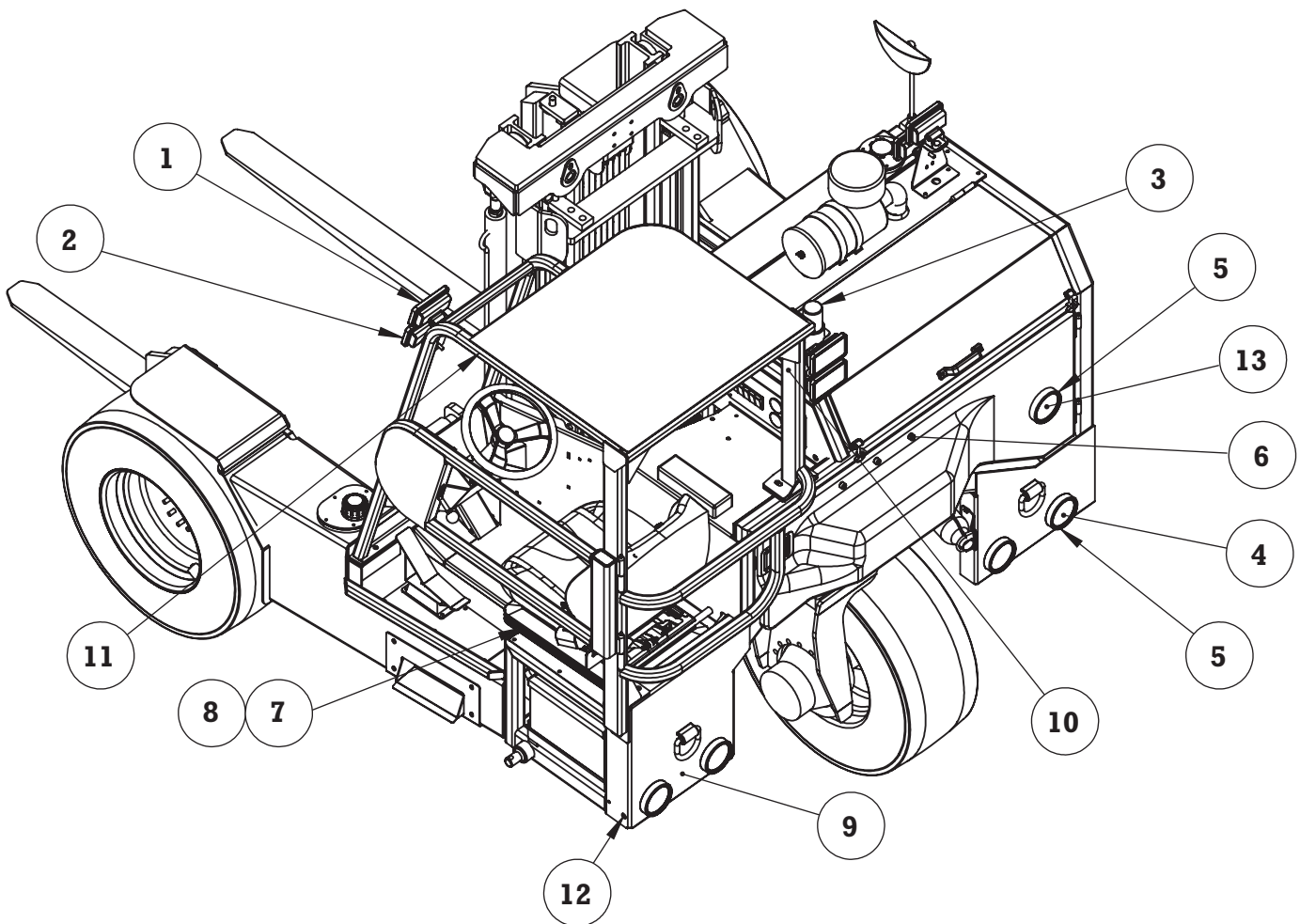
**NOTES:**

1. \* DENOTES THAT NUMBER IS FOR FILTER ELEMENT ONLY
2. REFERENCED ITEMS ARE SHIPPED LOOSE WITH ENGINE
3. ITEM #19 & #20 INSTALLED STARTING WITH SN 193)

# Bright Forklift

**BC3-6560**

LIGHT ASSEMBLY (097-21532)







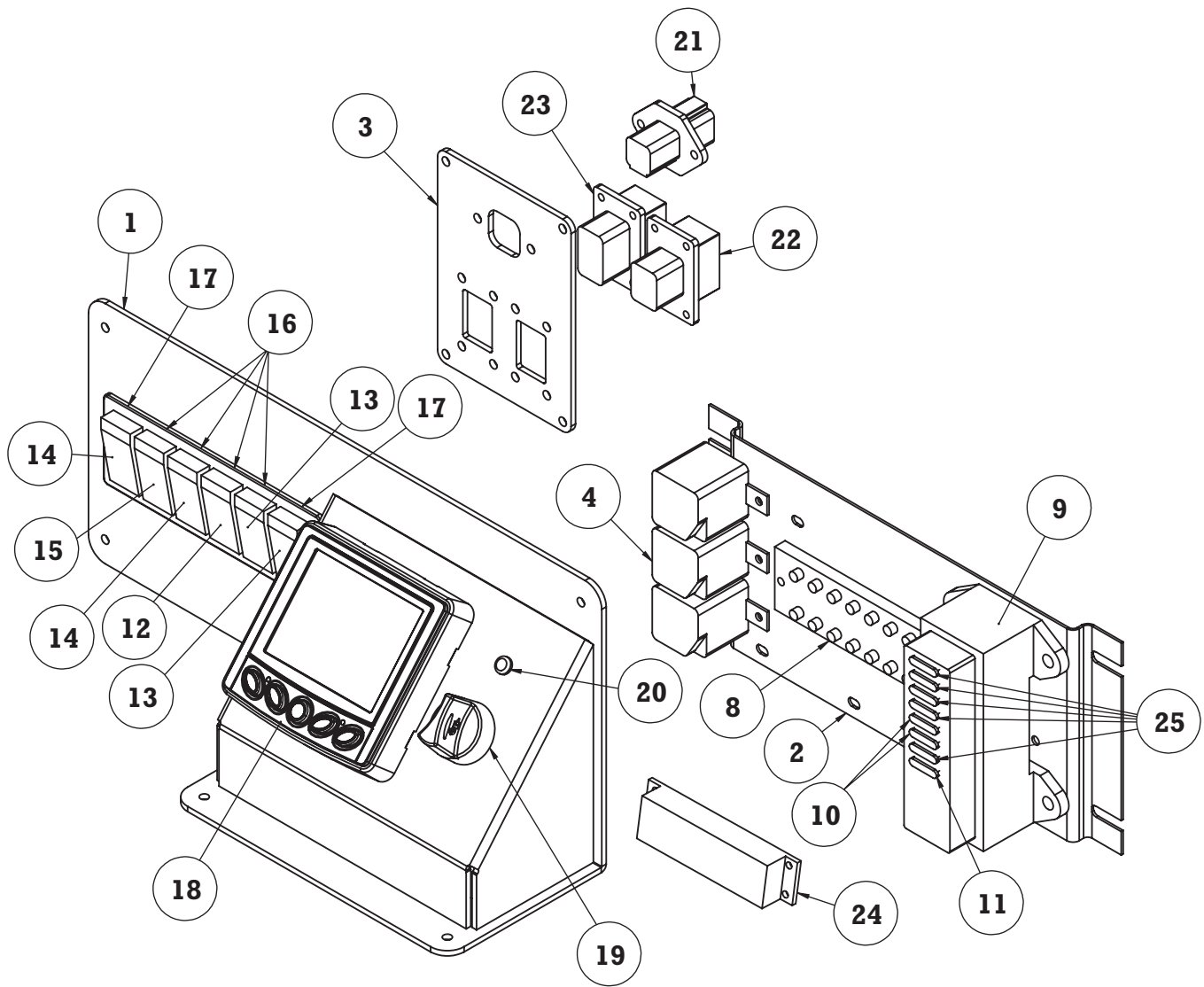
# Bright Forklift

**BC3-6560**

## LIGHT ASSEMBLY (097-21532)

ITEM	QTY	PART NUMBER	DESCRIPTION
1	3	097-20322	WHITE LED WORK LIGHT
2	3	097-20323	RED LED WORK LIGHT
3	1	097-20324	AMBER LED STROBE LIGHT
4	4	190-00547	4" LED TAIL LIGHT
5	5	190-00174	4" RUBBER GROMMET
6	1	850-00180	RED LED ID LIGHT ASSEMBLY
7	1	097-00825	7 WAY TRAILER RECEPTACLE
8	1	097-00824	RUBBER BOOTH FOR 7 WAY RECEPTACLE
9	1	097-21538	TAIL LIGHT HARNESS
10	1	097-21535	CAB REAR LIGHT HARNESS
11	1	097-21536	CAB FRONT LIGHT HARNESS
12	2	580-00181	MARKER LIGHT
13	1	190-00339	BACKUP STROBE LIGHT

### DASH ASSEMBLY (097-21549A)





# Bright Forklift

**BC3-6560**

## DASH ASSEMBLY (097-21549A)

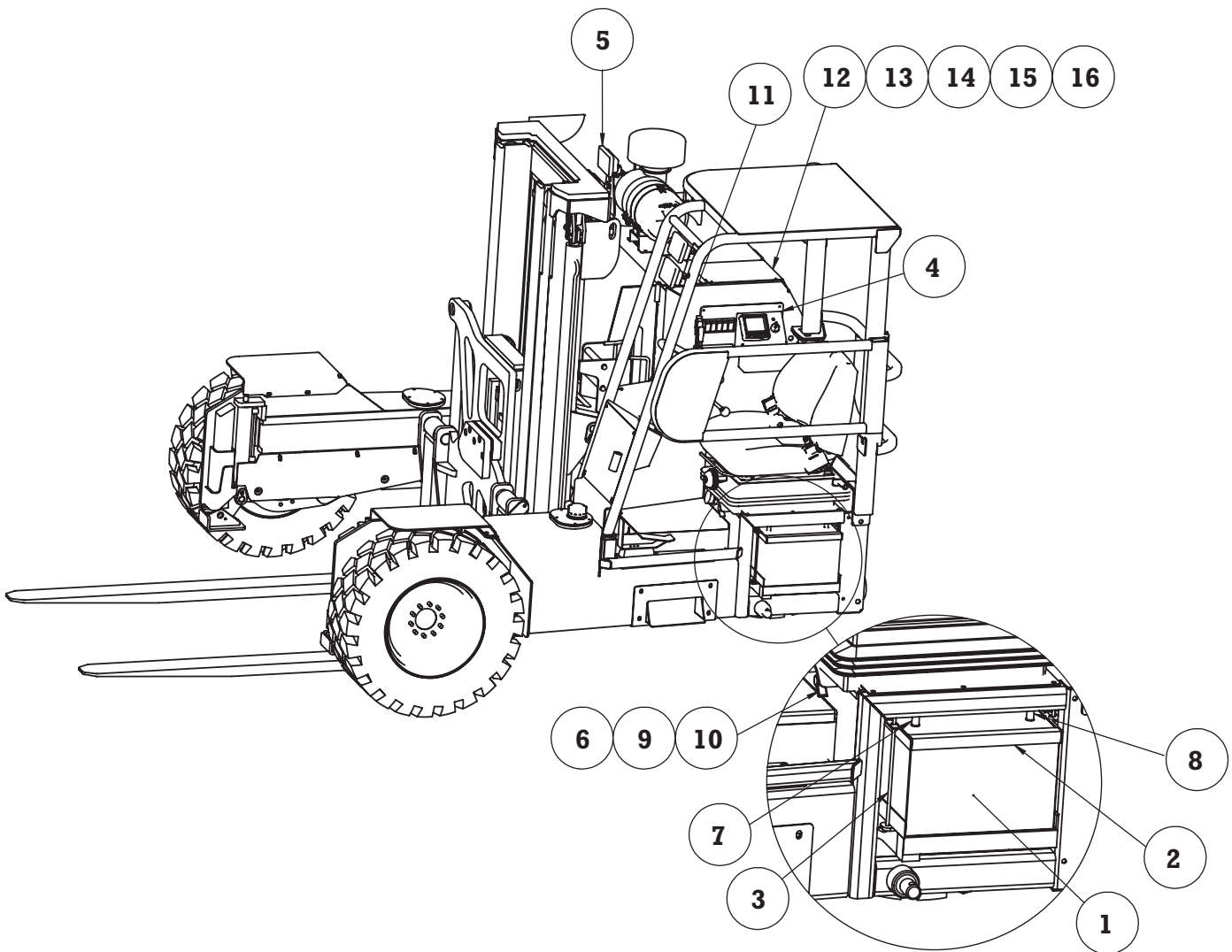
ITEM	QTY	PART NUMBER	DESCRIPTION
1	1	097-21839A	DASHBOARD
2	1	097-20821	POWERBOARD
3	1	097-20396	CONNECTOR HOLDER
4	3	190-00761	SEALED RELAY
5			
6			
7			
8	1	190-00746	TERMINAL BLOCK
9	1	190-00794	FUSE BLOCK - 16 GANG
10	2	190-00745	BLADE FUSE - 5A
11	1	190-00745-1	BLADE FUSE - 20A
12	1	190-00753	SEALED ROCKER SWITCH (ON-OFF, DPDT)
13	2	097-20341	SEALED ROCKER SWITCH (ON-OFF)
14	2	097-20342	SEALED ROCKER SWITCH ((ON)-OFF)
15	1	097-20343	SEALED ROCKER SWITCH (ON-ON)
16	4	097-20344	MIDDLE ROCKER PANEL BRACKET
17	2	097-20345	END ROCKER PANEL BRACKET
18	1	190-00743	MURPHY POWERVIEW PV380-R2
19	1	190-00747	SEALED KEY IGNITION SWITCH (ON/OFF/START)
20	1	097-20828	WARNING LIGHT (DIRTY AIR CLEANER)
21	1	190-00590	4 PIN RECEPTACLE - DTP04-4P-L012
22	1	190-00587	8-PIN RECEPTACLE - DT04-08PA-L012
23	1	190-00766	12-PIN RECEPTACLE - DT04-12PA-L012
24	1	097-20858	SENDER CAN DEVICE
25	5	190-00796	BLADE FUSE - 10A
26	1	097-21550	DASH HARNESS (NOT SHOWN)



# Bright Forklift

**BC3-6560**

**ELECTRICAL CIRCUIT (097-21552)**





# Bright Forklift

**BC3-6560**

## ELECTRICAL CIRCUIT (097-21552)

ITEM	PART NUMBER	QTY	DESCRIPTION
1	430-00375	1	BATTERY
2	097-21531	1	BATTERY HOLDER WELDMENT
3	097-20610	1	J-BOLT - 5/16-18 X 10
4	097-21549A	1	DASH ASSEMBLY - BC3-6560
5	097-21532	1	LIGHT ASSEMBLY
6	097-20346	1	MASTER DISCONNECT SWITCH
7	097-21539	1	BATTERY CABLE (POSITIVE BATTERY POST "+" TO EYELET)
8	097-21540	1	*BATTERY CABLE (EYELET TO EYELET POWER)
9	097-21541	1	BATTERY CABLE (NEGATIVE BATTERY POST "-" TO EYELET)
10	097-21542	1	*BATTERY CABLE (EYELET TO EYELET GROUND)
11	430-00195	1	ELECTRIC AUTO HORN
12	430-00196	1	BACK-UP ALARM
13	097-21547	1	*OIL COOLER HARNESS
14	098-01503-01	1	TYPE 120 RELAY (CONTINUOUS)
15	190-00761	3	SEALED RELAY
16	097-21551	1	MAIN HARNESS - BC3-6560

\* NOT SHOWN

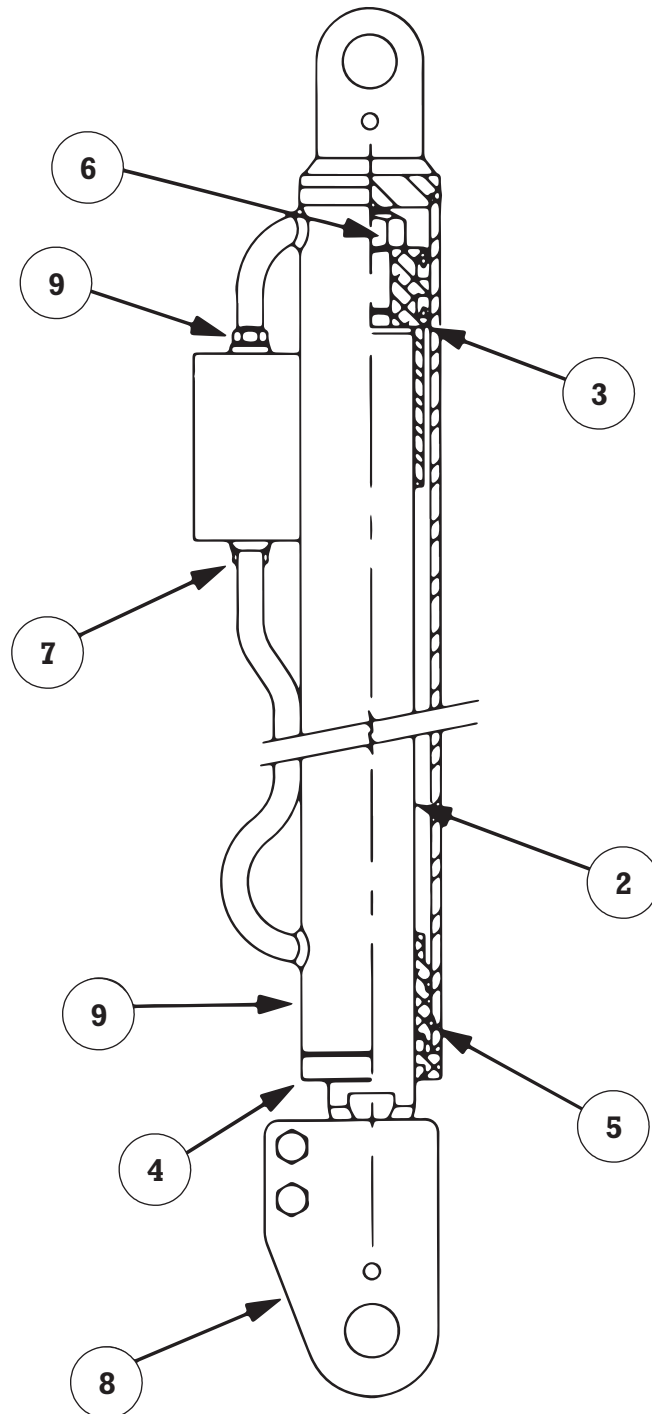
## 097-20552PD - ADDITIONAL ELECTRICAL COMPONENTS WITH POWER DISTRIBUTION BOX

QTY.	PART NUMBER	DESCRIPTION
1	097-21559	BATTERY CABLE POST+ TO EYELET (TO POWER DIST BOX)
1	097-21561	BATTERY CABLE POST- TO EYELET (TO MASTER SWITCH)
1	097-21558	BATTERY CABLE EYELET TO EYELET (STARTER TO POWER DIST BOX)
1	097-21560	BATTERY CABLE EYELET TO EYELET (GROUND - MASTER SWITCH TO FRAME)
1	190-00882	POWER DISTRIBUTION BOX - MD85 FUSE HOLDER
1	097-20881	SPACER FOR POWER DIST BOX
1	190-00878	80A MEGA FUSE
1	190-00870	100A MEGA FUSE
2	190-00879	40A MIDI FUSE
1	190-00880	60A MIDI FUSE
1	091-21551PD	MAIN HARNESS UPDATED FOR POWER DISTRIBUTION

# Bright Forklift

**BC3-6560**

**MAST LIFT CYLINDER (097-20442)**





# Bright Forklift

**BC3-6560**

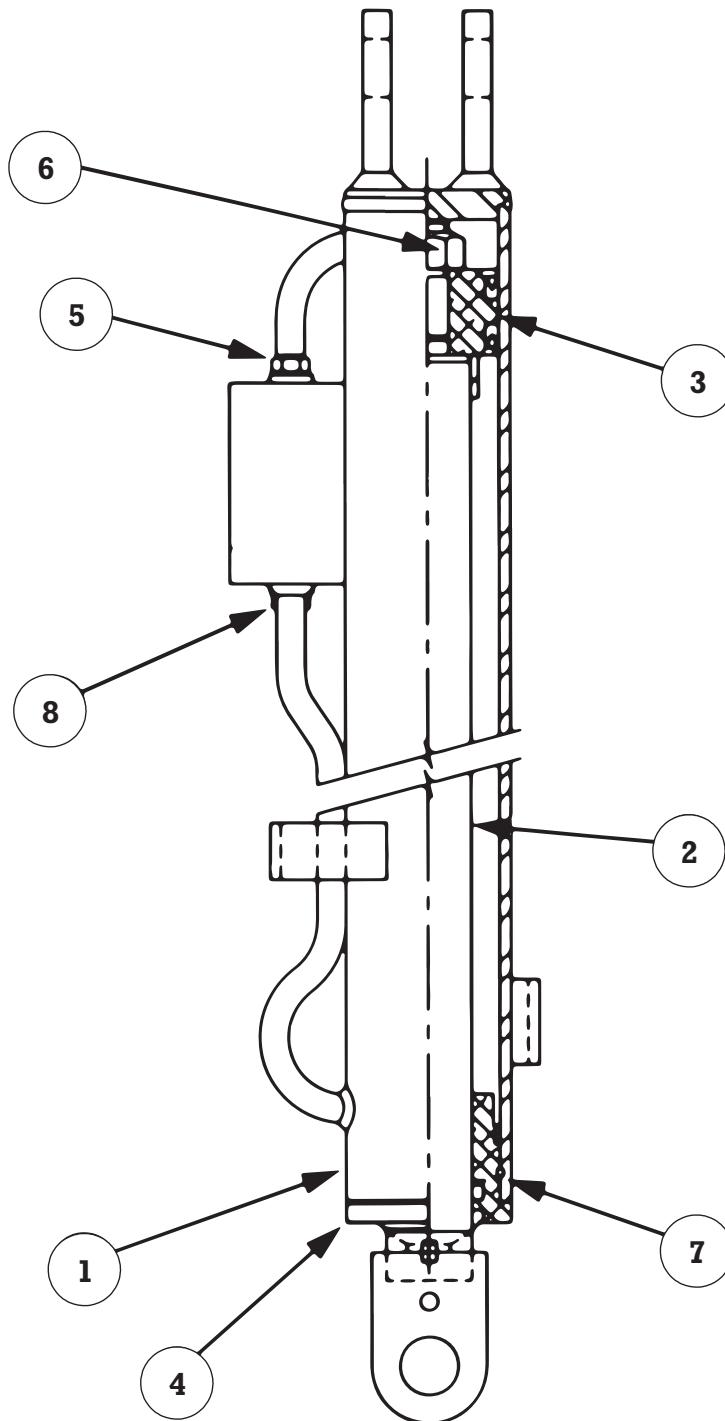
## MAST LIFT CYLINDER (097-20442)

ITEM	QTY	PART NUMBER	DESCRIPTION
1	1	097-20442	LIFT CYLINDER
1	1	097-20442.1	TUBE ASSEMBLY
2	1	097-20442.2	ROD ASSEMBLY
3	1	097-20442.3	PISTON
4	1	097-20442.4	HEAD
5	1	097-20442.5	RETAINER
6	1	097-20176.5	LOCK NUT 3/4-16
7	1	097-20442.7	C'BALANCE VALVE (1,800 PSI)
8	1	097-20442.8	ROD CLEVIS
9	1	097-20442.9	C'BALANCE VALVE (4,000 PSI)
	1	097-20442.10N	SEAL KIT

# Bright Forklift

**BC3-6560**

**FREELIFT CYLINDER (097-20871)**







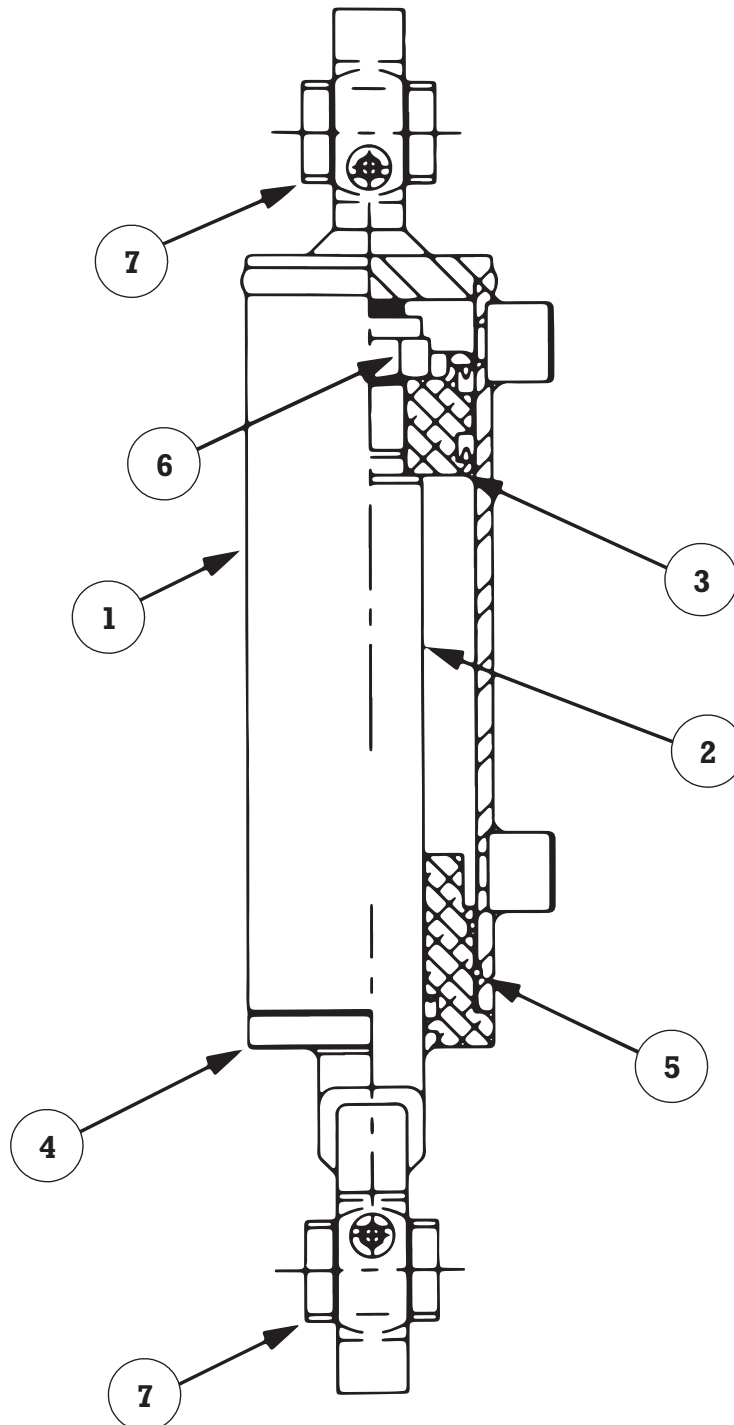
# Bright Forklift

**BC3-6560**

## FREELIFT CYLINDER (097-20871)

ITEM	QTY.	PART NUMBER	DESCRIPTION
-	1	097-20443	FREE LIFT CYLINDER FREE LIFT CYLINDERV
1	1	097-20443.2	TUBE ASSEMBLY
2	1	097-20443.3	ROD ASSEMBLY
3	1	097-20443.4	PISTON
4	1	097-20443.5	HEAD
5	1	097-20871.1	C'BALANCE VALVE (1,200 PSI)
6	1	097-20443.6	LOCK NUT 7/8-14
7	1	097-20443.7	RETAINING RING
8	1	097-20442.9	C'BALANCE VALVE (4,000 PSI)
-	1	097-20443.9N	SEAL KIT

## TILT CYLINDER (097-20180)





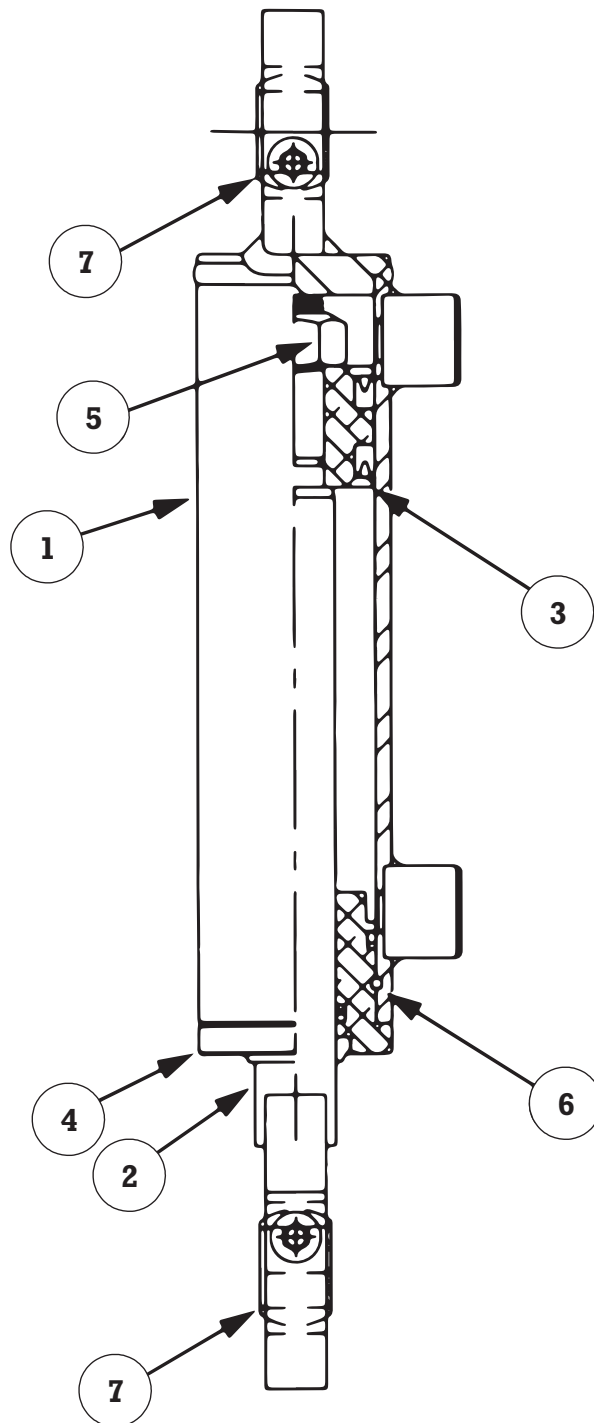
# Bright Forklift

**BC3-6560**

## TILT CYLINDER (097-20180)

ITEM	QTY.	PART NUMBER	DESCRIPTION
	1	097-20180	TILT CYLINDER
1	1	097-20180.1	TUBE ASSEMBLY
2	1	097-20180.2	ROD ASSEMBLY
3	1	097-20180.3	PISTON
4	1	097-20180.4	HEAD
5	1	097-20180.5	RETAINING RING
6	1	097-20180.6	LOCK NUT 1"-14
7	2	097-20180.7	SPHERICAL BEARING
	1	097-20180.8N	SEAL KIT

## SIDESHIFT CYLINDER (097-20176)





# Bright Forklift

**BC3-6560**

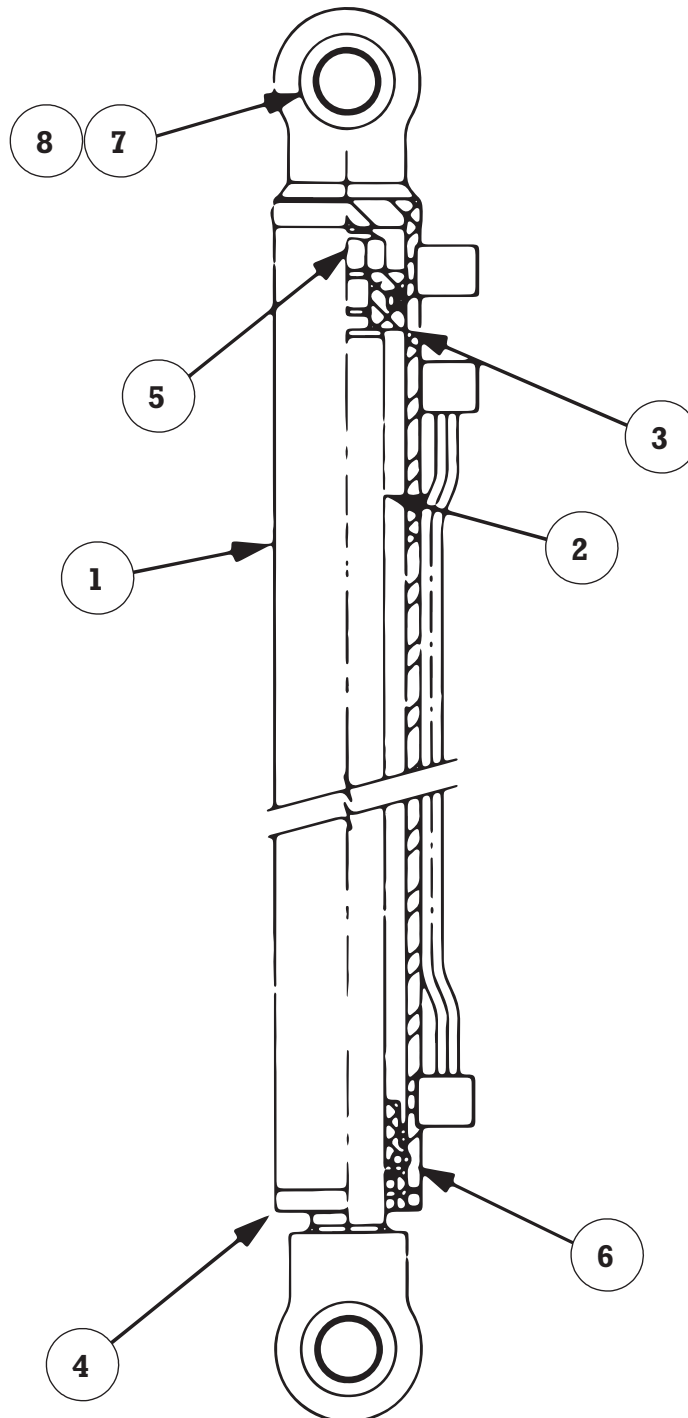
## SIDESHIFT CYLINDER (097-20176)

ITEM	QTY.	PART NUMBER	DESCRIPTION
	-	097-20176	SIDESHIFT CYLINDER
1	1	097-20176.1	TUBE ASSEMBLY
2	1	097-20176.2	ROD ASSEMBLY
3	1	097-20176.3	PISTON
4	1	097-201764	HEAD
5	1	097-20176.5	LOCK NUT, 3/4-16
6	1	097-20176.6	RETAINING RING
7	2	097-20176. 7	SPHERICAL BEARING
	1	097-20176.8N	SEAL KIT

# Bright Forklift

**BC3-6560**

ROTATOR CYLINDER (097-20444)





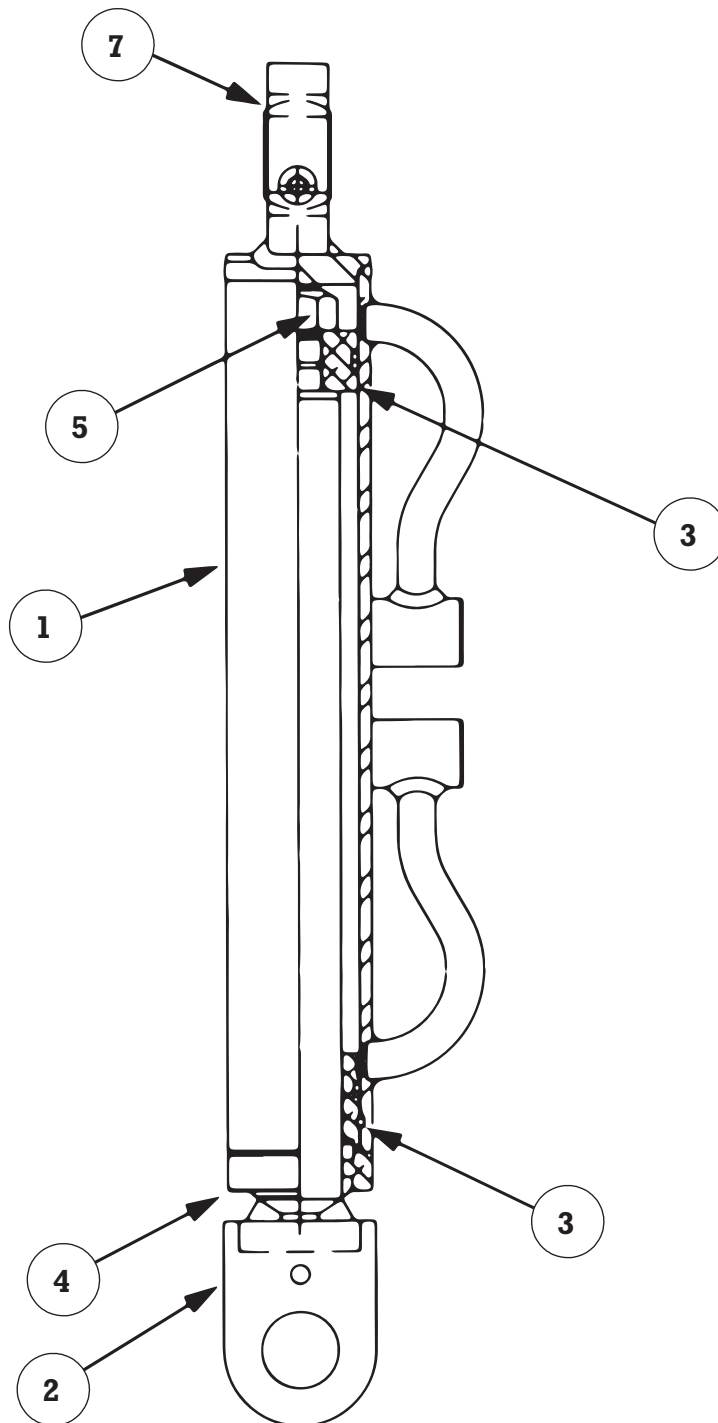
# Bright Forklift

**BC3-6560**

## ROTATOR CYLINDER (097-20444)

ITEM	QTY.	PART NUMBER	DESCRIPTION
	1	097-20444	ROTATOR CYLINDER
1	1	097-20444.1	TUBE ASSEMBLY
2	1	097-20444.2	ROD ASSEMBLY
3	1	097-20444.3	PISTON
4	1	097-20444.4	HEAD
5	1	097-20176.5	LOCKNUT 3/4 - 16
6	1	097-20176.6	RETAINING RING
7	2	097-20444.7	SPHERICAL BEARING
8	2	097-20444.8	RETAINING RING
	1	097-20444.10N	SEAL KIT

## LEFT AND RIGHT HORIZONTAL CARRIAGE CYLINDER (097-20177)







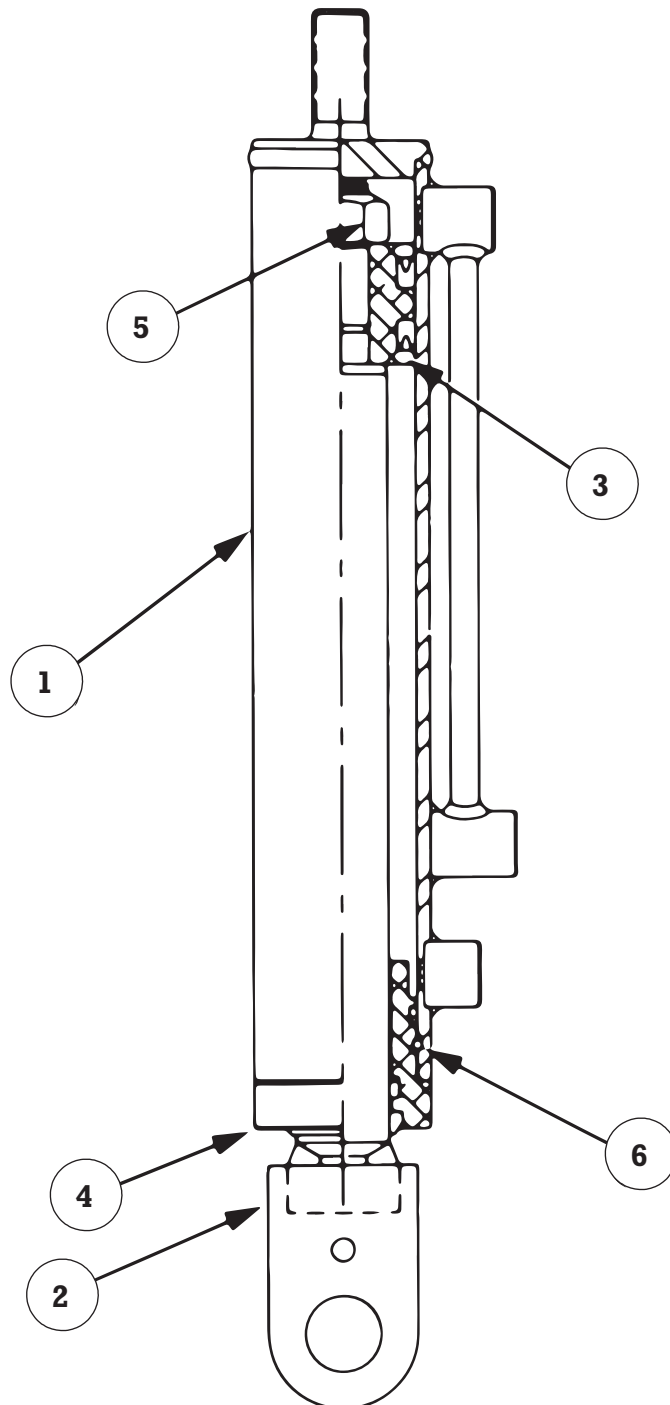
# Bright Forklift

**BC3-6560**

## LEFT AND RIGHT HORIZONTAL CARRIAGE CYLINDER (097-20177)

ITEM	QTY.	PART NUMBER	DESCRIPTION
<b>RIGHT HAND CYLINDER</b>			
	1	097-20177R	HORIZONTAL CARRIAGE CYLINDER (RIGHT)
1	1	097-20177.0	TUBE ASSEMBLY (RIGHT CYL.)
2	1	097-20177.2	ROD ASSEMBLY
3	1	097-20177.3	PISTON
4	1	097-20177.4	HEAD
5	1	097-20176.5	LOCK NUT 3/4 - 16
6	1	097-20176.6	RETAINING RING
7	1	097-20177.7	SPHERICAL BEARING
	1	097-20177.8N	SEAL KIT
<b>LEFT HAND CYLINDER</b>			
	1	097-20177L	HORIZONTAL CARRIAGE CYLINDER (LEFT)
1	1	097-20177.1	TUBE ASSEMBLY (LEFT CYL.)
2	1	097-20177.2	ROD ASSEMBLY
3	1	097-20177.3	PISTON
4	1	097-20177.4	HEAD
5	1	097-20176.5	LOCK NUT 3/4 - 16
6	1	097-20176.6	RETAINING RING
7	1	097-20177.7	SPHERICAL BEARING
	1	097-20177.8N	SEAL KIT

## STABILIZER CYLINDER (097-20178)





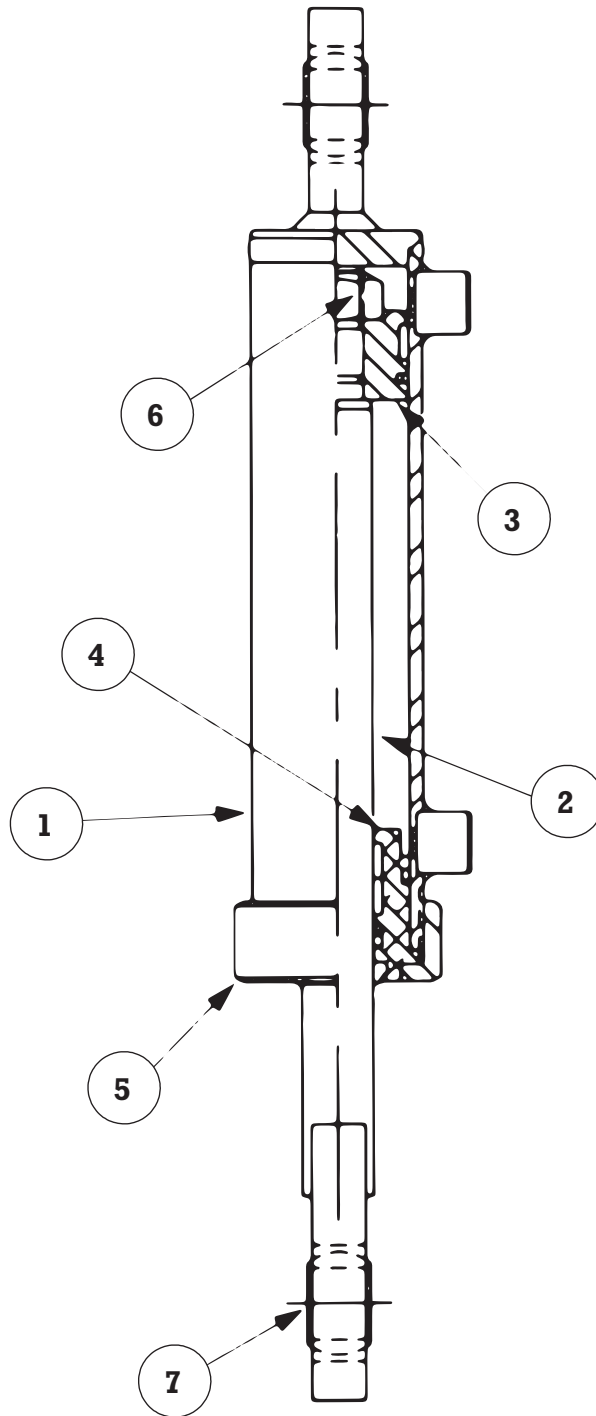
# Bright Forklift

**BC3-6560**

## STABILIZER CYLINDER (097-20178)

ITEM	QTY.	PART NUMBER	DESCRIPTION
	-	097-20178	STABILIZER CYLINDER
1	1	097-20178.1	TUBE ASSEMBLY
2	1	097-20178.2	ROD ASSEMBLY
3	1	097-20178.3	PISTON
4	1	097-20178.4	HEAD
5	1	097-20176.5	LOCK NUT 3/4 - 16
6	1	097-20176.6	RETAINING RING
	1	097-20178.7N	SEAL KIT

## STEERING CYLINDER (097-20179)





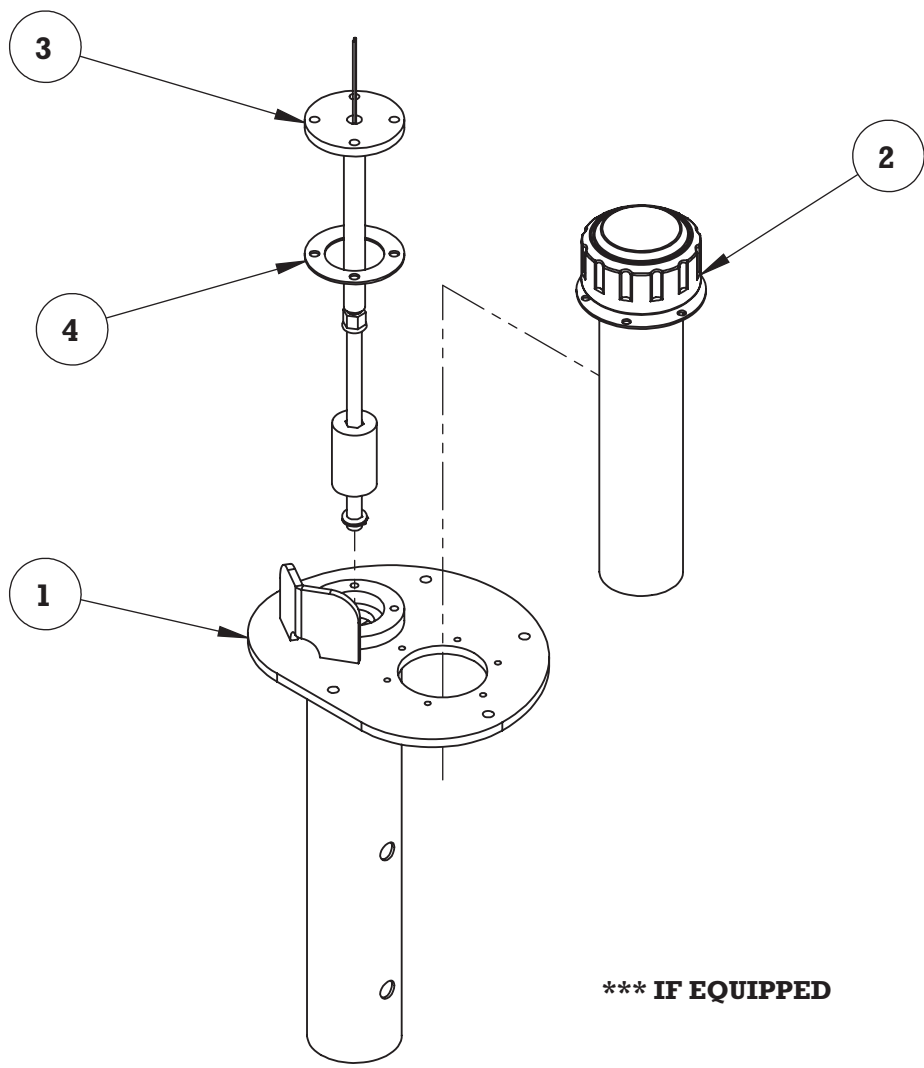
# Bright Forklift

**BC3-6560**

## STEERING CYLINDER (097-20179)

ITEM	QTY.	PART NUMBER	DESCRIPTION
	-	097-20179	STEERING CYLINDER
1	1	097-20179.1	TUBE ASSEMBLY
2	1	097-20179.2	ROD ASSEMBLY
3	1	097-20179.3	PISTON
4	1'	097-20179.4	HEAD
5	1	097-20179.5	HEAD CAP
6	1	097-20176.5	LOCK NUT 3/4 - 16
7	2	097-20176.7	SPHERICAL BEARING
	1	097-20179.8N	SEAL KIT

**HYDRAULIC TANK CLEANOUT ASSEMBLY WITH LOW OIL  
LEVEL SWITCH (097-21563)**



**\*\*\* IF EQUIPPED**



# Bright Forklift

**BC3-6560**

## HYDRAULIC TANK CLEANOUT ASSEMBLY WITH LOW OIL LEVEL SWITCH (097-21563)

ITEM	QTY.	PART NUMBER	DESCRIPTION
1	1	097-21529	HYDRAULIC TANK CLEANOUT COVER WELDMENT WITH LOW OIL LEVEL SWITCH
2	REF.	350-00001	FILLER BREATHER
3	1	098-21541	HYDRAULIC FLUID LEVEL SHUTOFF SENSOR
4	1	097-20982	OIL LEVEL SWITCH GASKET

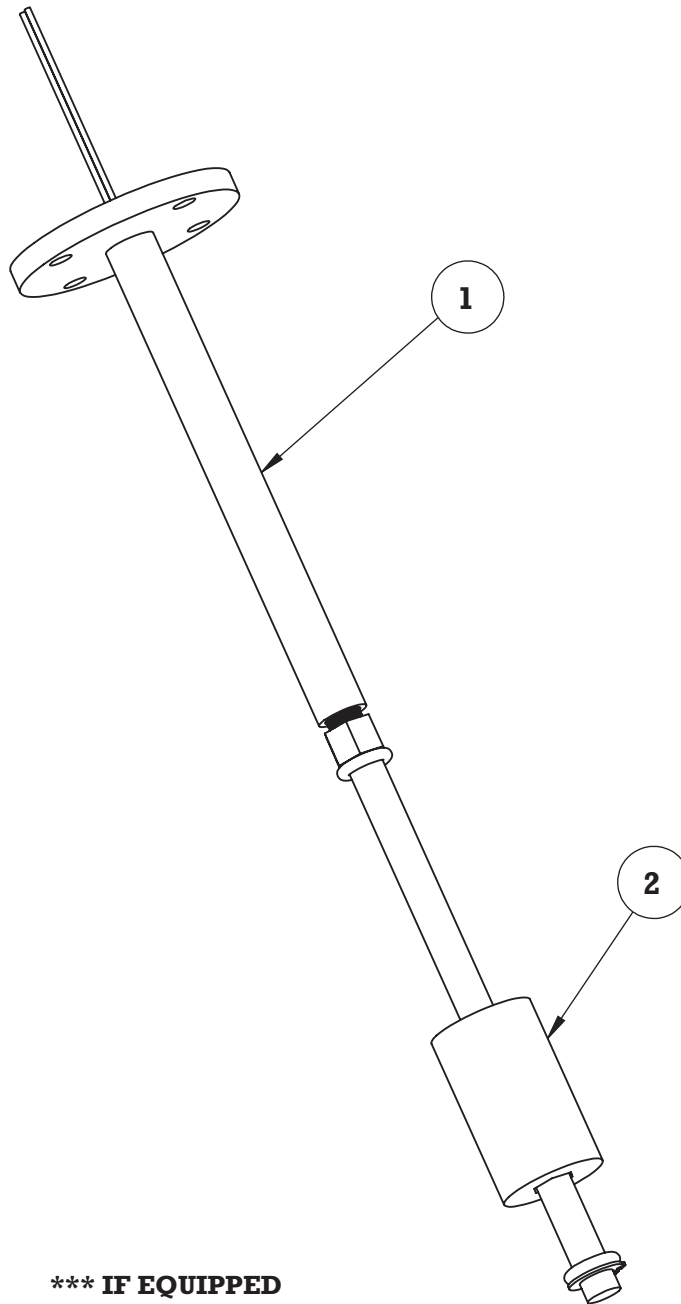
NOTE: IF EQUIPPED



# Bright Forklift

**BC3-6560**

**HYDRAULIC FLUID LEVEL SHUTOFF SENSOR (098-21541)**



**\*\*\* IF EQUIPPED**





# Bright Forklift

**BC3-6560**

## HYDRAULIC FLUID LEVEL SHUTOFF SENSOR (098-21541)

ITEM	QTY.	PART NUMBER	DESCRIPTION
1	1	098-21542	HYDRAULIC FLUID LEVEL SHUTOFF SENSOR WELDMENT
2	1	098-20204	HYDRAULIC LEVEL SENSOR FOR PATRIOT FORKLIFT

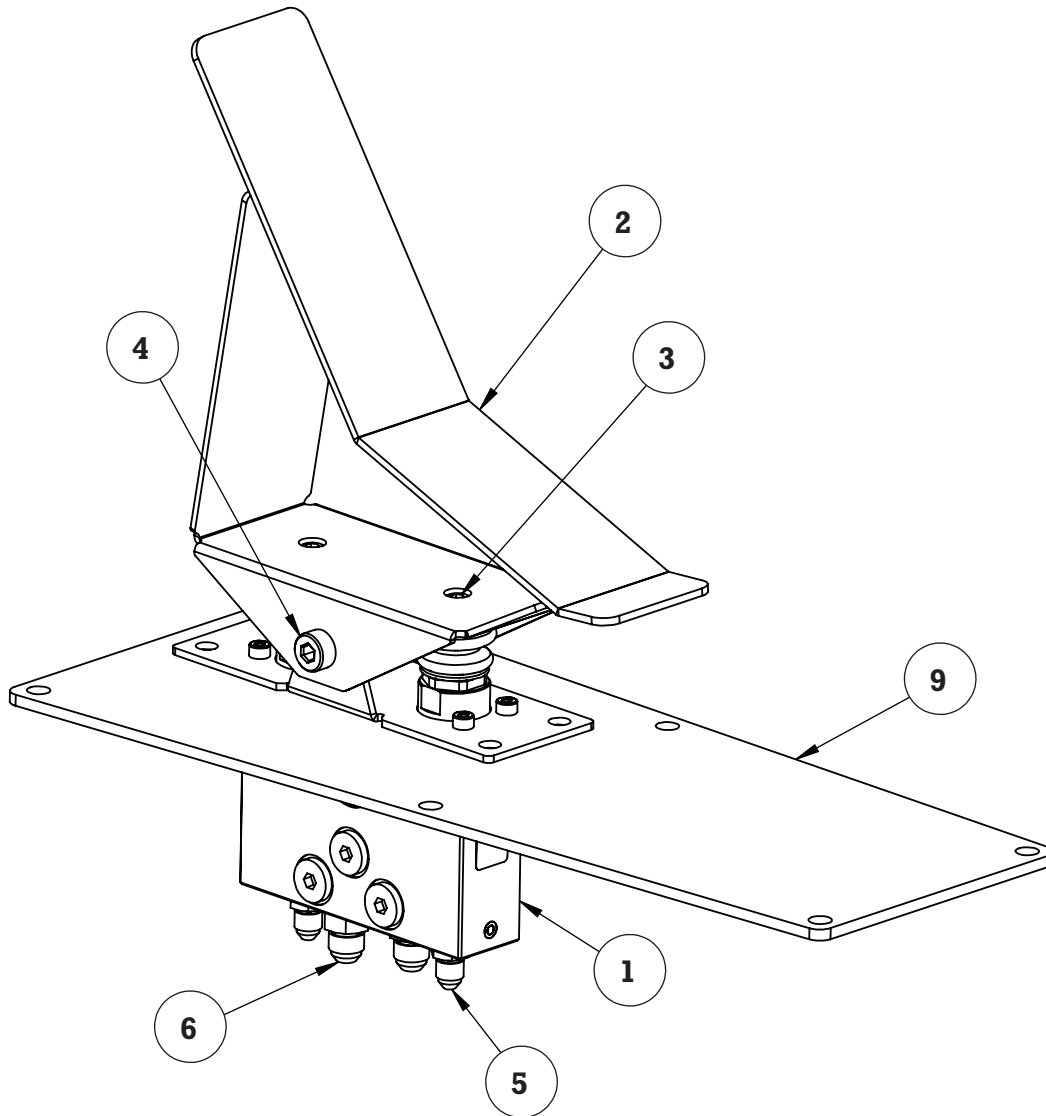
NOTE: IF EQUIPPED



# Bright Forklift

**BC3-6560**

**HYDRECO FOOT VALVE ASSEMBLY (097-20296H)**





# Bright Forklift

**BC3-6560**

## HYDRECO FOOT VALVE ASSEMBLY (097-20296H)

ITEM	QTY.	PART NUMBER	DESCRIPTION
1	1	097-20296H-01	HYDRECO FNR FOOT VALVE (1-12 BAR)
2	1	097-25518H	FRW-REV TREADLE WELDMENT (FOR HYDRECO VALVE)
3	2	REF.	THREADED BOSS
4	1	210-00911	M10 X 70MM SHOULDER-SHOULDER BOLT
5	REF.	330-00042	FITTING #4 JIC X #4 SAE
6	REF.	330-00564	FITTING #6 JIC X #4 SAE
7	1	210-00551	M8 X 1.25 NYLOC NUT
8	1	210-00739	5/16 WASHER
9	1	097-20183	FNR MOUNTING PLATE

NOTE: ITEM #3 INCLUDED WITH HYDRECO VALVE





# **Bright Forklift**

**BC3-6560**

## **SECTION 5**

# **TIRE & WHEEL ASSEMBLY**

### **CONTENTS**

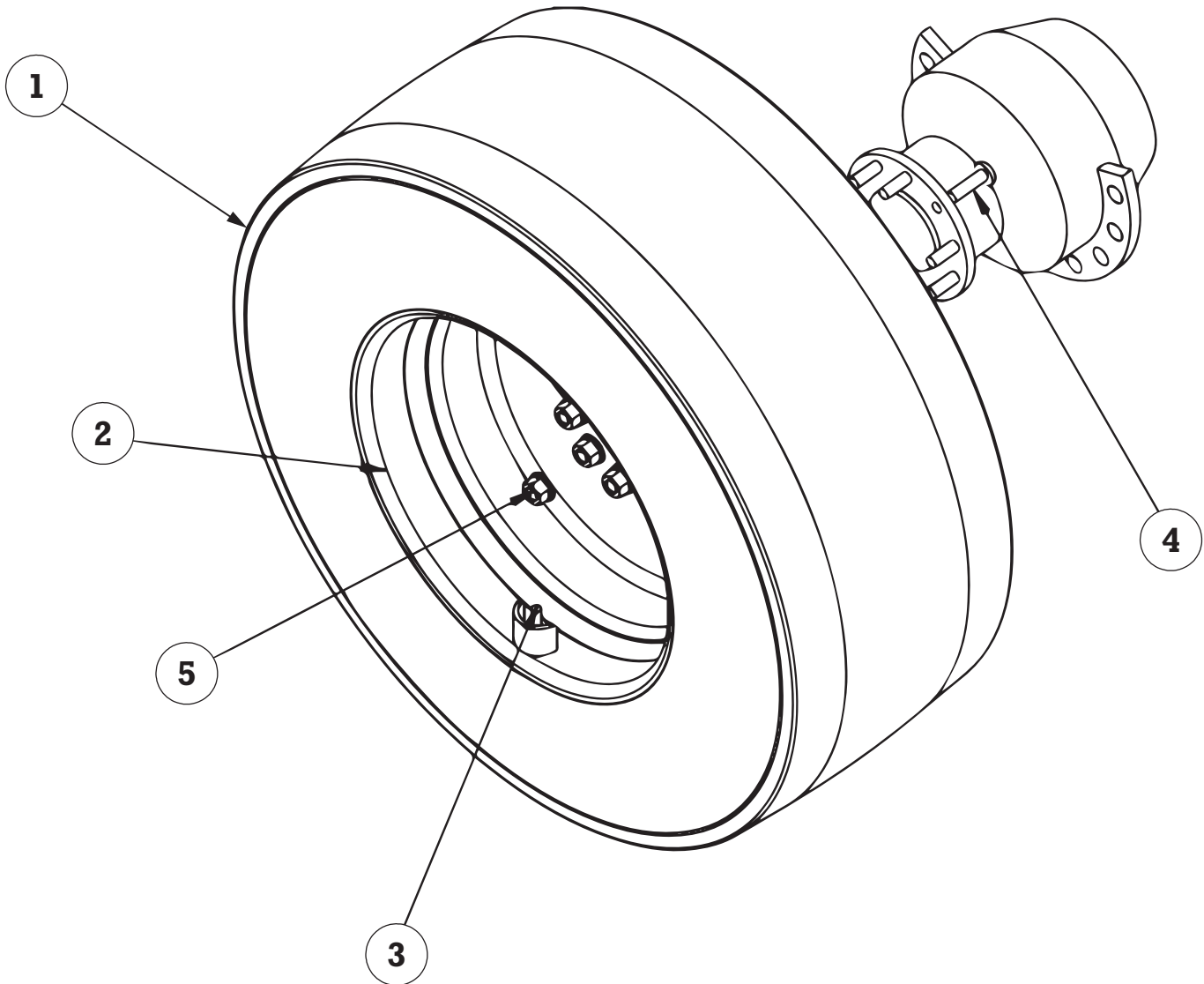
TIRE/WHEEL ASSEMBLY (097-21610 & 097-21611).....	5-2
--	-----



# Bright Forklift

**BC3-6560**

**TIRE/WHEEL ASSEMBLY (097-21610 & 097-21611)**





# Bright Forklift

**BC3-6560**

TIRE/WHEEL ASSEMBLY (097-21610)

## Wide Tire 31.5 X 13 - 16.5 Tires

ITEM	QTY	PART NUMBER	DESCRIPTION
1	3	097-20306	TIRE 31.5 X 13 - 16.5
2	3	097-20305	WHEEL 9.75 X 16.5
3	3	730-03031	TUBELESS TRUCK VALVE
4	30	097-00568	WHEEL STUD
5	30	097-00569	WHEEL LUG NUT

TIRE/WHEEL ASSEMBLY (097-21611)

## Narrow Tire 10 X 16.5 Tires

ITEM	QTY	PART NUMBER	DESCRIPTION
1	3	097-20636	TIRE 10 X 16.5
2	3	730-04073	WHEEL 8.75 X 16.5
3	3	730-03031	TUBELESS TRUCK VALVE
4	30	097-00568	WHEEL STUD
5	30	097-00569	WHEEL LUG NUT







# **Bright Forklift**

**BC3-6560**

## **SECTION 6**

# **STABILIZER ASSEMBLY**

### **CONTENTS**

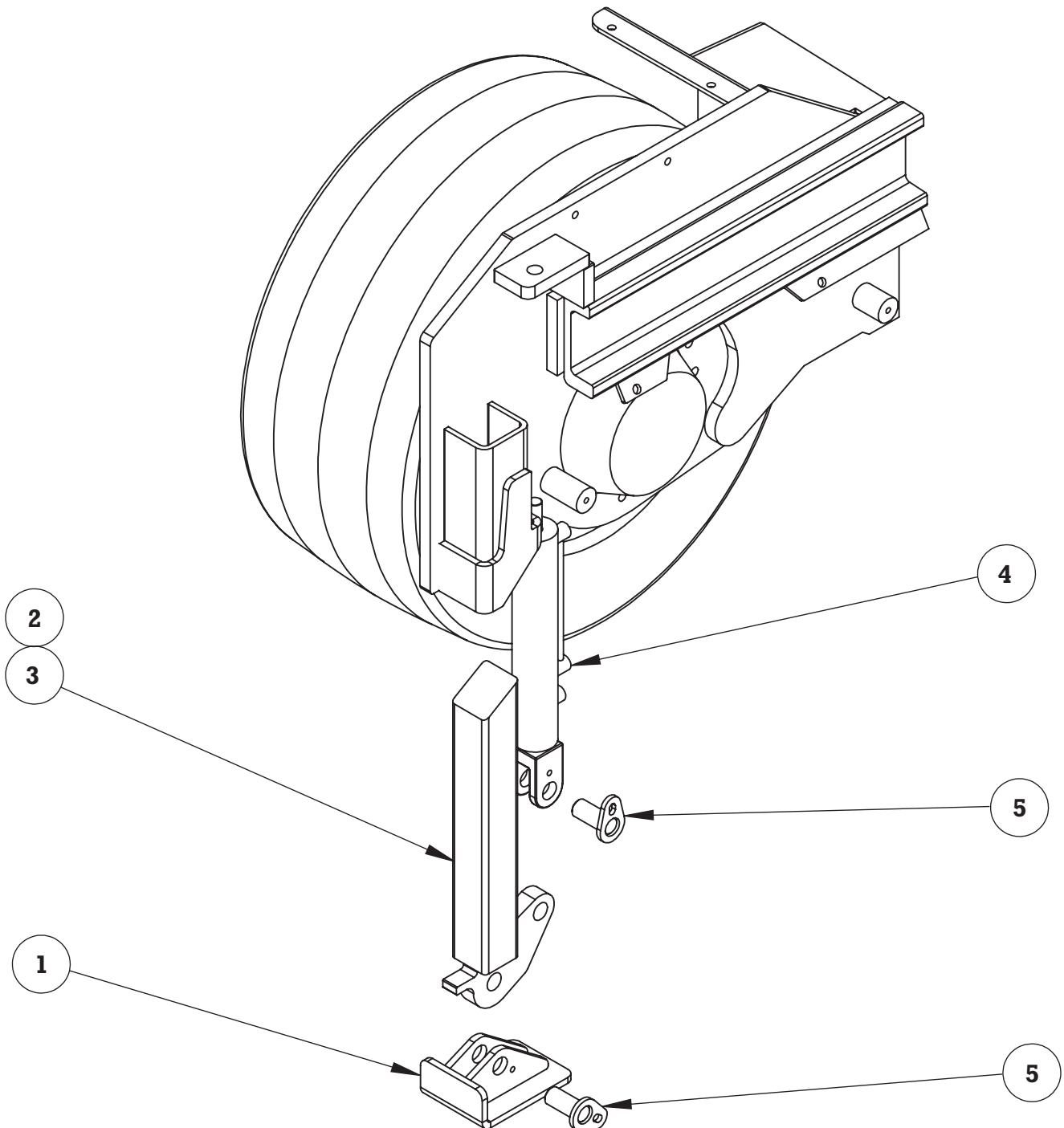
STABILIZER ASSEMBLY (097-21720).....	6-2
--------------------------------------	-----



# Bright Forklift

**BC3-6560**

**STABILIZER ASSEMBLY (097-21720)**





# Bright Forklift

**BC3-6560**

## STABILIZER ASSEMBLY (097-21720)

ITEM	QTY.	PART NUMBER	DESCRIPTION
1	2	097-21722	STABILIZER PAD WELDMENT
2	1	097-21721L	STABILIZER LEG WELDMENT (LHS)
3	1	097-21721R	STABILIZER LEG WELDMENT (RHS)
4	2	097-20178	STABILIZER CYLINDER
5	4	097-21514	1 X 2-1/4 LG PIN WELDMENT





# **Bright Forklift**

**BC3-6560**

## **SECTION 7**

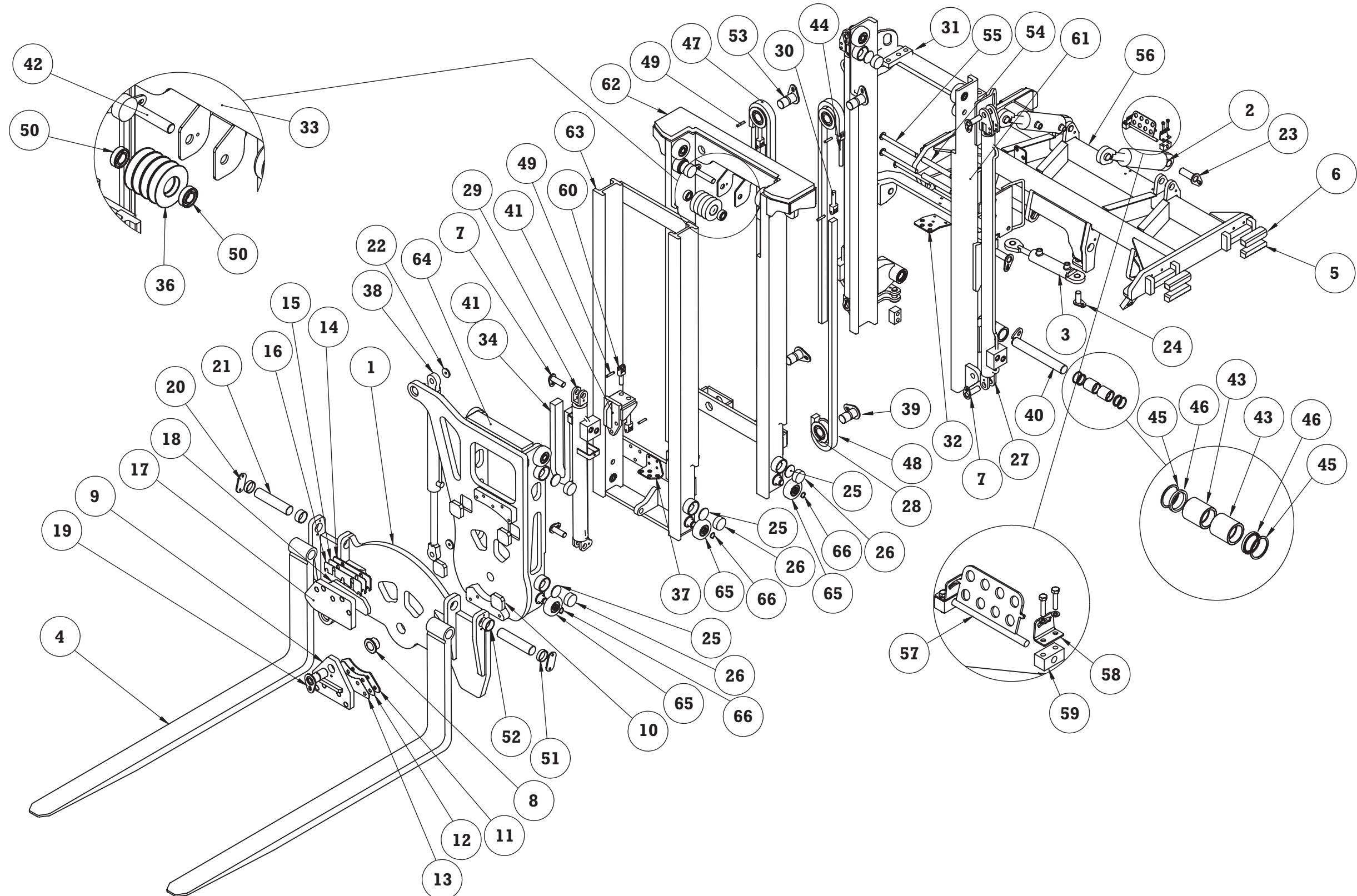
### **MAST ASSEMBLY**

#### **CONTENTS**

MAST ASSEMBLY (097-21758) .....7-3



## MAST ASSEMBLY (097-21758)









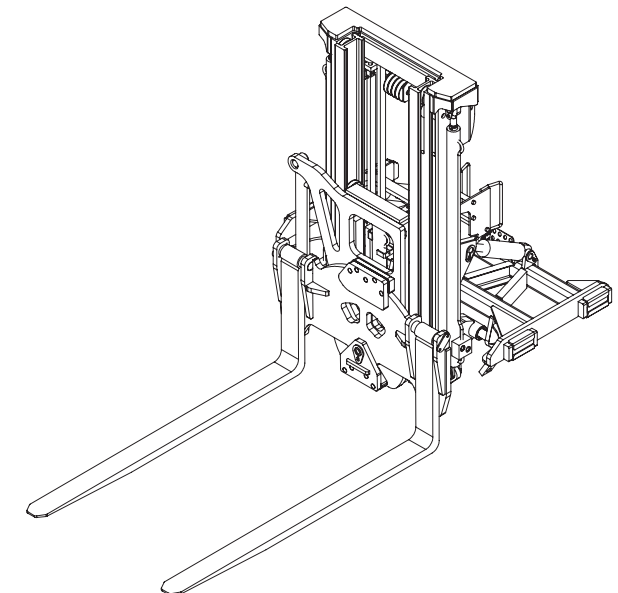
# Bright Forklift

**BC3-6560**

## MAST ASSEMBLY (097-21758)

ITEM	QTY.	PART NUMBER	DESCRIPTION
1	1	097-21763	OUTER CARRIAGE WELDMENT BC3-6000 (2016)
2	2	097-20180	TILT CYLINDER
3	1	097-20176	SIDESHIFT CYLINDER
4	2	098-00156	PIN TYPE STD TAPER FORK
5	4	097-20217	HORIZONTAL CARRIAGE T-BLOCK BOTTOM
6	4	097-21732	HORIZONTAL CARRIAGE T-BLOCK TOP ASSEMBLY
7	6	097-21513	1 X 2-7/8 LG PIN WELDMENT
8	1	097-20197	ROTATOR BUSHING
9	1	097-21764	OUTER CARRIAGE BOTTOM HOLDER
10	4	097-20229	ROTATOR SQUARE T-BLOCK
11	1	097-20230.1	BOTTOM ROTATOR SHIM (1/4")
12	1	097-20230.2	BOTTOM ROTATOR SHIM (1/8")
13	1	097-20230.3	BOTTOM ROTATOR SHIM (1/16")
14	1	097-20231.1	TOP ROTATOR SHIM (1/4")
15	1	097-20231.2	TOP ROTATOR SHIM (1/8")
16	1	097-20231.3	TOP ROTATOR SHIM (1/16")
17	1	097-20726	OUTER CARRIAGE TOP HOLDER
18	1	097-20233	ROTATOR RECT. T-BLOCK
19	1	097-21731	ROTATOR PIVOT PIN WELDMENT
20	2	097-20201	FORK PIN HOLDER
21	2	097-20202	FORK PIN
22	2	097-20187	SWING ARM RETAINER
23	4	097-21515	1-1/4 X 3-5/8 LG PIN WELDMENT
24	2	097-21514	1 X 2-1/4 LG PIN WELDMENT
25	12	097-20729	PUSH PLATE (3/16")
26	12	097-20728	INNER CARRIAGE SIDE T-BLOCK
27	2	097-20442	LIFT CYLINDER ASSEMBLY (FREE LIFT)
28	4	030-00084	CHAIN ROLLER FOR BL-844
29	1	097-20871	FREE LIFT CYLINDER ASSEMBLY
30	2	098-00011	CHAIN ANCHOR FOR BL-844
31	2	097-20436	CHAIN ANCHOR SUPPORT
32	1	097-20439	HOSE BRACKET
33	1	097-20440	HOSE ROLLER SUPPORT
34	1	097-20326	E-CHAIN SERIES E2 MEDIUM
35	1	097-20327	MOUNTING BRACKET KIT FOR E-CHAIN
36	1	097-20431	HOSE ROLLER 4 GR
37	1	097-20407	HOSE BRACKET
38	1	097-20444	ROTATOR CYLINDER
39	2	097-21746	CHAIN ROLLER PIN BOTTOM WELDMENT
40	2	097-21745	MAST PIVOT PIN WELDMENT (FREE LIFT)
41	2	097-21747B	CHAIN ANCHOR HOLDER (BOTTOM)

ITEM	QTY.	PART NUMBER	DESCRIPTION
42	1	097-21748	HOSE ROLLER PIN WELDMENT
43	4	097-20435	MAST PIVOT BUSHING
44	2	098-00007	CHAIN ANCHOR FOR BL-844
45	4	097-20441	RETAINING RING FOR MAST PIVOT
46	4	097-20446	SEAL FOR MAST PIVOT
47	2	098-00654	LIFTING CHAIN (61" LG) (MAST)
48	2	097-20454	LOWERING CHAIN (63") FREE LIFT
49	8	098-00022	LEAF CHAIN PIN (BL-844)
50	2	097-20292	BALL BEARING
51	2	097-20485	FORK SPACER 5/8 WIDE
52	2	097-20484	FORK SPACER 1-1/4 WIDE
53	2	097-21751	CHAIN ROLLER PIN TOP WELDMENT
54	3	097-20625	PLASTIC ROLLER
55	3	097-21752	PIN FOR HOSE GUARD WELDMENT
56	1	097-21756	HORIZONTAL CARRIAGE WELDMENT
57	1	097-21757	ROTATING BULKHEAD
58	2	097-20709	ROTATING BULKHEAD STOPPER
59	2	097-20710	ROTATING BULKHEAD SUPPORT
60	4	098-00006	CHAIN ANCHOR
61	1	097-21759	OUTER MAST (RELUBRICABLE ROLLERS)
62	1	097-21760	MID MAST (RELUBRICABLE ROLLERS)
63	1	097-21761	INNER MAST (RELUBRICABLE ROLLERS)
64	1	097-21762	INNER CARRIAGE (RELUBRICABLE ROLLERS)
65	12	097-20716	RELUBRICABLE MAST ROLLER
66	12	210-00873	EXTERNAL CIRCLIP DIN 471 FOR 25MM SHAFT







# Bright Forklift

**BC3-6560**

## SECTION 8

# HOODS, PANELS AND ACCESSORIES

### CONTENTS

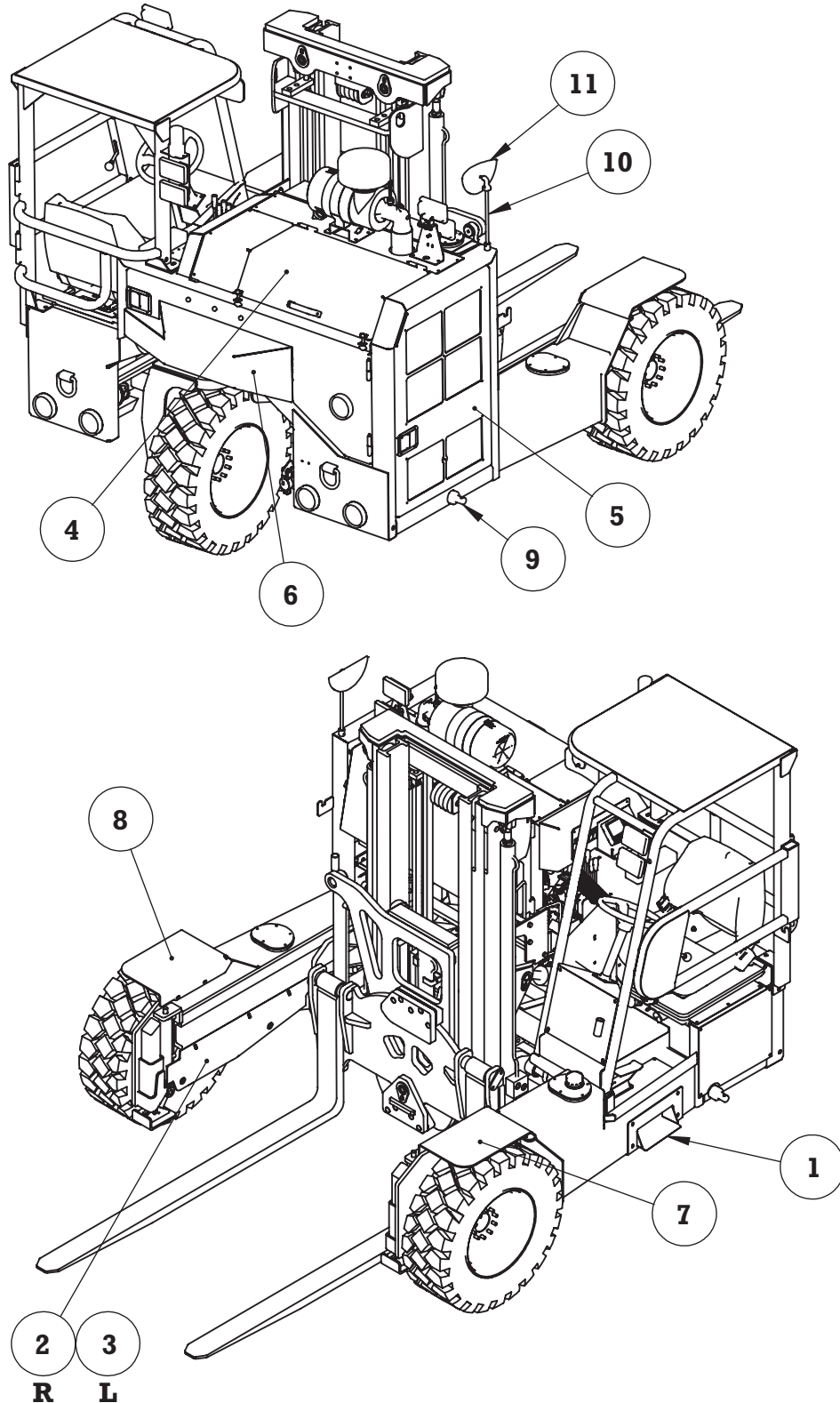
HOODS, PANELS, & ACC (097-21802) .....	8-2
TOP HOOD ASSEMBLY (097-21835).....	8-4
RADIATOR ACCESS DOOR ASSEMBLY (097-21837).....	8-6
REAR DOOR ASSEMBLY (097-21841) .....	8-8



# Bright Forklift

**BC3-6560**

HOODS, PANELS, & ACC (097-21802)



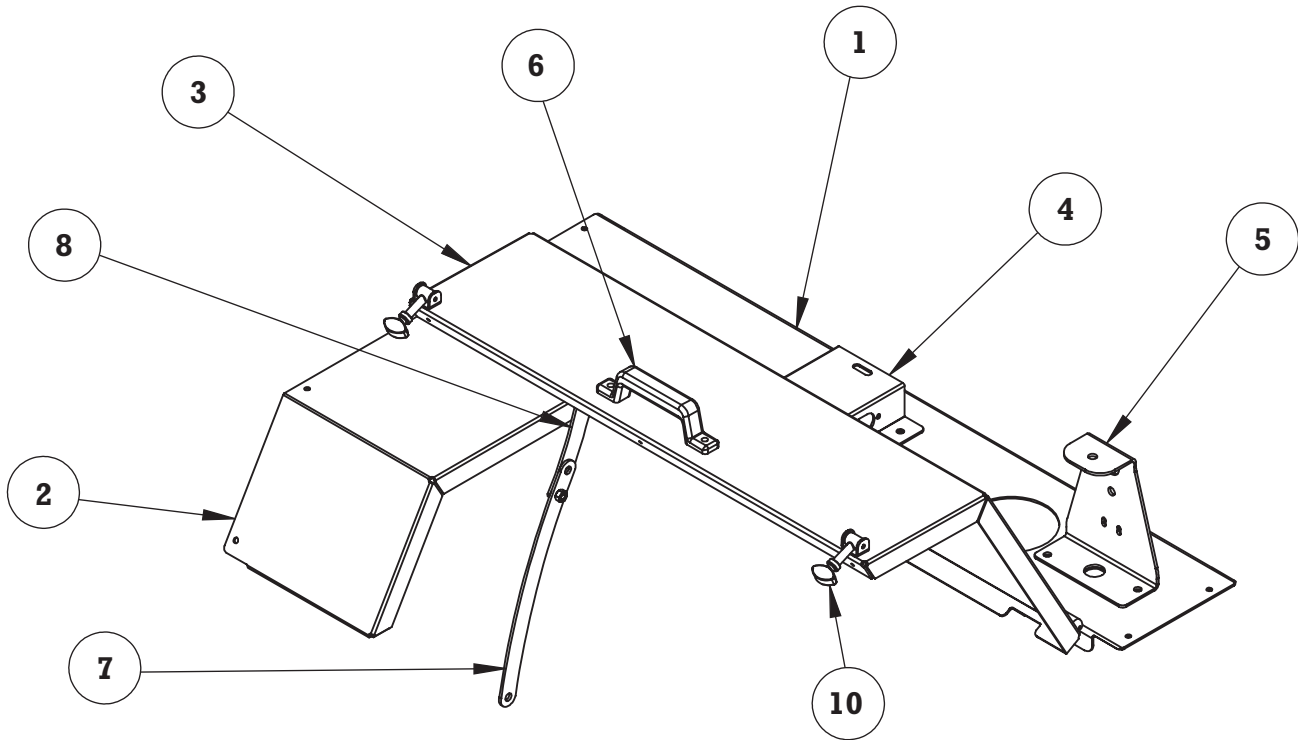


# Bright Forklift

**BC3-6560**

**HOODS, PANELS, & ACC (097-21802)**

ITEM	QTY	PART NUMBER	DESCRIPTION
1	1	097-21811	STEP WELDMENT
2	1	097-21812	HOSE COVER WELDMENT - RIGHT HAND
3	1	097-21813	HOSE COVER WELDMENT - LEFT HAND
4	1	097-21835	TOP HOOD ASSEMBLY
5	1	097-21837	SIDE DOOR ASSEMBLY
6	1	097-21841	ENGINE ACCESS DOOR ASSEMBLY
7	1	097-20303L	ADD-ON FENDER - LEFT HAND
8	1	097-20303R	ADD-ON FENDER - RIGHT HAND
9	2	097-21820	SECURING CHAIN KIT
10	1	097-20733	PANORAMIC MIRROR SUPPORT
11	1	097-20715	PANORAMIC MIRROR





# Bright Forklift

**BC3-6560**

## TOP HOOD ASSEMBLY (097-21835)

ITEM	QTY.	PART NUMBER	DESCRIPTION
1	1	097-20774	FIXED HOOD UPPER (KUBOTA 65HP)
2	1	097-20775	FIXED HOOD, LOWER (KUBOTA 65 HP)
3	1	097-20776	HINGED HOOD (KUBOTA 65 HP)
4	1	097-20777	AIR FILTER SUPPORT (KUBOTA 65 HP)
5	1	097-20684	HOOD LIGHT BRACKET
6	1	098-00161	GRAB HANDLE
7	1	097-21833	HOOD HOLDER LONG WLDMENT
8	1	097-20707	HOOD HOLDER SHORT
9	2	097-20379-02	HOOD HOLDER BRACKET*
10	2	097-20494	MINI HOLD DOWN
11	2	097-20294	4" WELD-ON HINGE "MARR WELD-ON HINGE"*
12	3	097-20489	BUMPER*

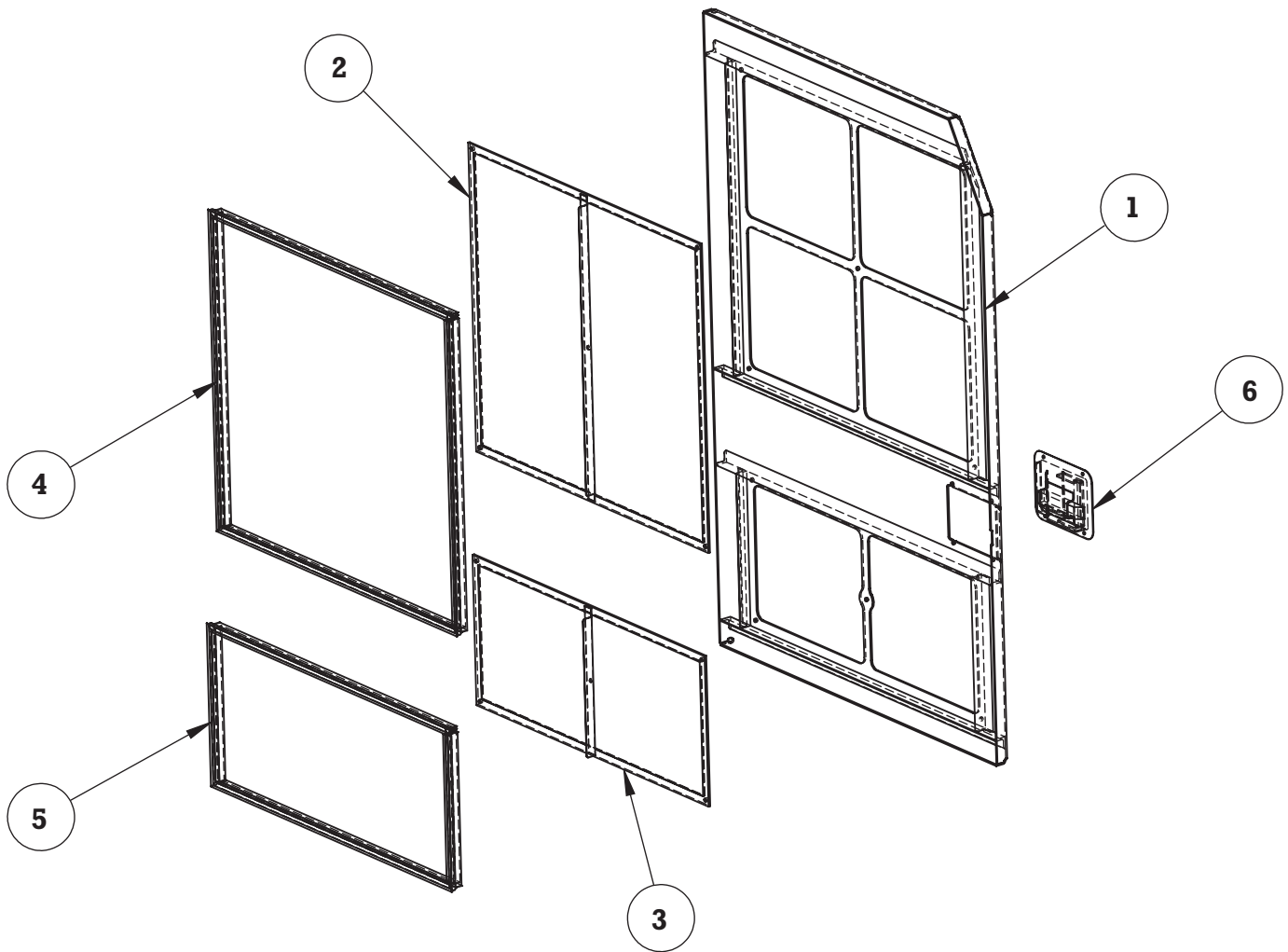
\* = NOT SHOWN



# Bright Forklift

**BC3-6560**

**RADIATOR ACCESS DOOR ASSEMBLY (097-21837)**







# Bright Forklift

**BC3-6560**

## RADIATOR ACCESS DOOR ASSEMBLY (097-21837)

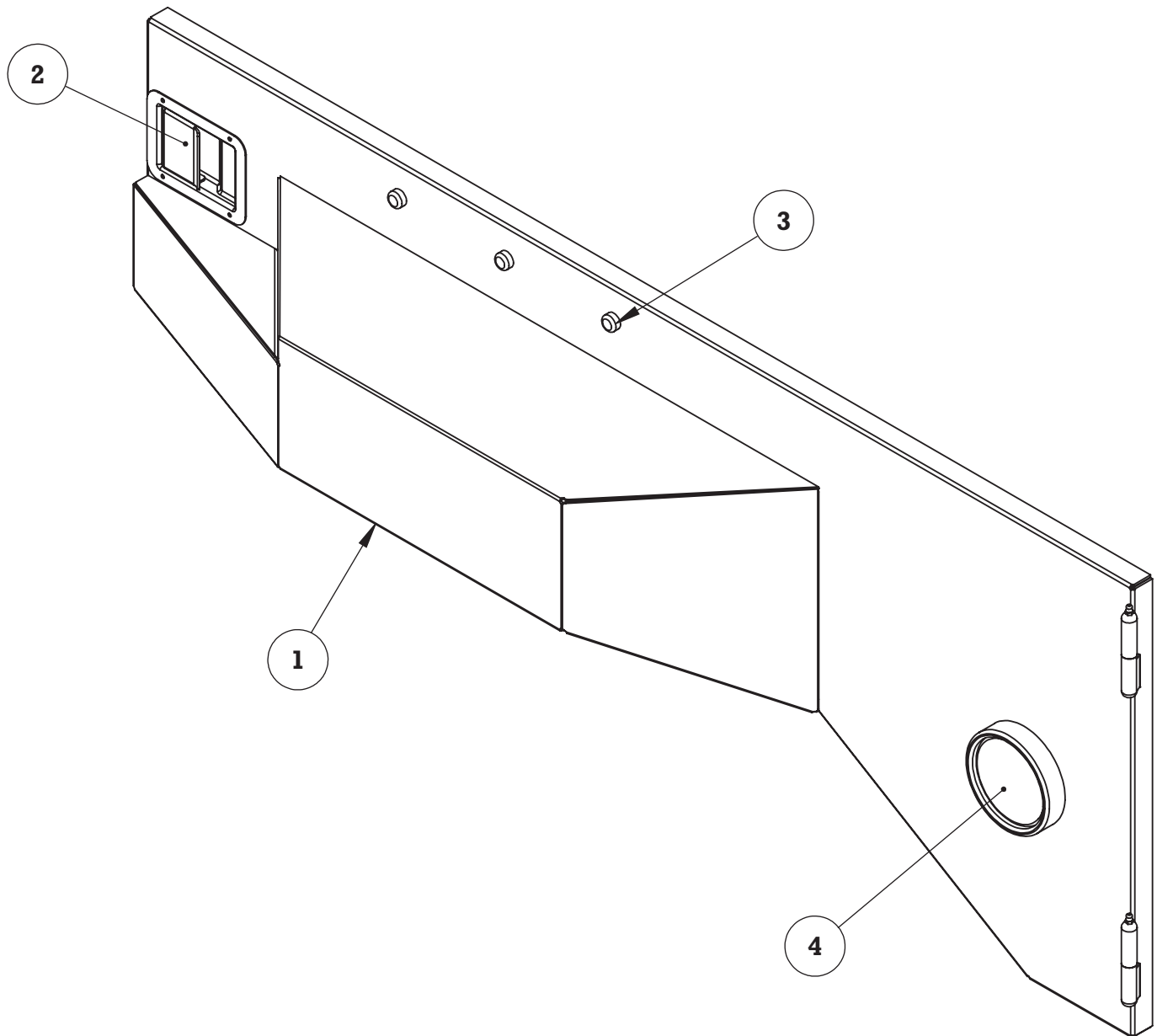
ITEM	QTY.	PART NUMBER	DESCRIPTION
1	1	097-21836	SIDE DOOR WELDMENT (BC3-6560)
2	1	097-20795	RADIATOR SCREEN (KUBOTA 65 HP)
3	1	097-20796	OIL COOLER SCREEN (KUBOTA 65 HP)
4	1	097-20813	TRIM SEAL DOOR GASKET X 8 FT.
5	1	097-20813	TRIM SEAL DOOR GASKET X 6 FT.
6	1	097-20488	PADDLE HANDLE



# Bright Forklift

**BC3-6560**

**REAR DOOR ASSEMBLY (097-21841)**





# Bright Forklift

**BC3-6560**

## REAR DOOR ASSEMBLY (097-21841)

ITEM	QTY.	PART NUMBER	DESCRIPTION
1	1	097-21840	REAR DOOR WELDMENT - BC3-6560
2	1	097-20488	PADDLE HANDLE
3	-	REF	ID LIGHT ASSEMBLY W/ GROMMETS - 3/4" RED
4	-	REF	BACK-UP LIGHT 4-1/2" YELLOW W/ GROMMET





# ***Bright Forklift***

***BC3-6560***

## **SECTION 9**

### **DECALS**

#### **CONTENTS**

DECALS (097-21902).....9-3





# Bright Forklift

**BC3-6560**

**DECALS (097-21902)**

QTY	PART NUMBER	DESCRIPTION
1	097-20859	DECAL DASH - BD3-6560
1	097-20460	DECAL SWITCH TOP
1	097-20461	DECAL SWITCH BOTTOM
1	097-20462	DECAL ENGINE OIL LEVEL
1	097-20463	DECAL DIESEL FUEL ONLY
1	097-20464	DECAL HYDRAULIC OIL ONLY
1	097-20465	DECAL CAUTION APPLY P. BRAKE
1	097-20466	DECAL CONTROL VALVE LEVER
1	097-20467	DECAL MAIN SWITCH
1	097-20468	DECAL HYDRAULIC OIL LEVEL
1	097-20469	DECAL WARNING SEAT BELT
1	097-20470	DECAL WARNING OPERATION
1	097-20471	DECAL MADE WITH PRIDE IN TEXAS, USA
3	097-20819	DECAL BRIGHT - BC3-6560
2	360-00103	DECAL 202 WARNING KEEP CLEAR OF MAST
2	097-20666	DECAL PATENT 777,545 B2
1	097-20495	DECAL DIESEL FUEL LEVEL
2	360-00105	DECAL WARNING KEEP FINGER CLEAR OF CROSSBRACING
2	360-00128	DECAL WARNING CUT/CRUSH HAZARD KEEP HANDS CLEAR OF FAN AND BELTS
3	097-24337	DECAL DO NOT WELD ON FRAME
1	360-00120	DECAL MADE IN THE USA
1	098-01765	DECAL HOT LIQUID - RADIATOR
1	098-00717	FORKLIFT DATA PLATE ALUMINUM







# **Bright Forklift**

**BC3-6560**

## **SECTION 10**

### **MAINTENANCE ITEMS**

#### **CONTENTS**

MAINTENANCE ITEMS TABLE.....	10-3
BRIGHT PART NUMBERS FOR FILTERS.....	10-3





# Bright Forklift

**BC3-6560**

## MAINTENANCE ITEMS TABLE

ITEM	CAPACITY	SUGGESTED
ENGINE	2.51 GALLONS	MIL-L-2104C OR HIGHER
HYDRAULIC OIL TANK	22 GALLONS	SO-46 HYDRAULIC FLUID
GENERAL GREASING	AS NEEDED	SEMI-SYNTHETIC LUBRICANT WITH MOLYBDENUM (5%)
STEERING KING PIN	AS NEEDED	SEMI-SYNTHETIC LUBRICANT WITH MOLYBDENUM (5%)
COOLING CIRCUIT	AS NEEDED	SEMI-SYNTHETIC LUBRICANT WITH MOLYBDENUM (5%)
COOLING CIRCUIT	2.14 GALLONS	WATER AND ANTI-FREEZE*
MAST CHAINS	AS NEEDED	30 WT. NON DETERGENT MOTOR OIL
FUEL TANK	25 GALLONS	DIESEL NO. 2

## BRIGHT PART NUMBERS FOR FILTERS



**097-20971**  
Engine Fuel  
Water Separator



**097-20965**  
Outer Air  
Filter Element



**097-20966**  
Inner Air  
Filter Element



**230-00031-1**  
Small Hydraulic  
Oil Filter



**097-01166**  
Oil Separator  
Filter



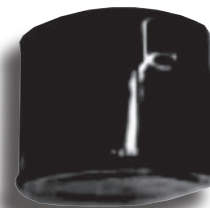
**097-20287**  
Hydraulic  
Pressure  
Oil Filter



**230-00060**  
Hydraulic  
Return  
Oil Filter



**097-20970**  
Kubota Engine  
Fuel Filter



**097-00131**  
Kubota Engine  
Oil Filter



**097-20736**  
In-Line  
Fuel Filter





# **Bright Forklift**

**BC3-6560**

## **SECTION 11**

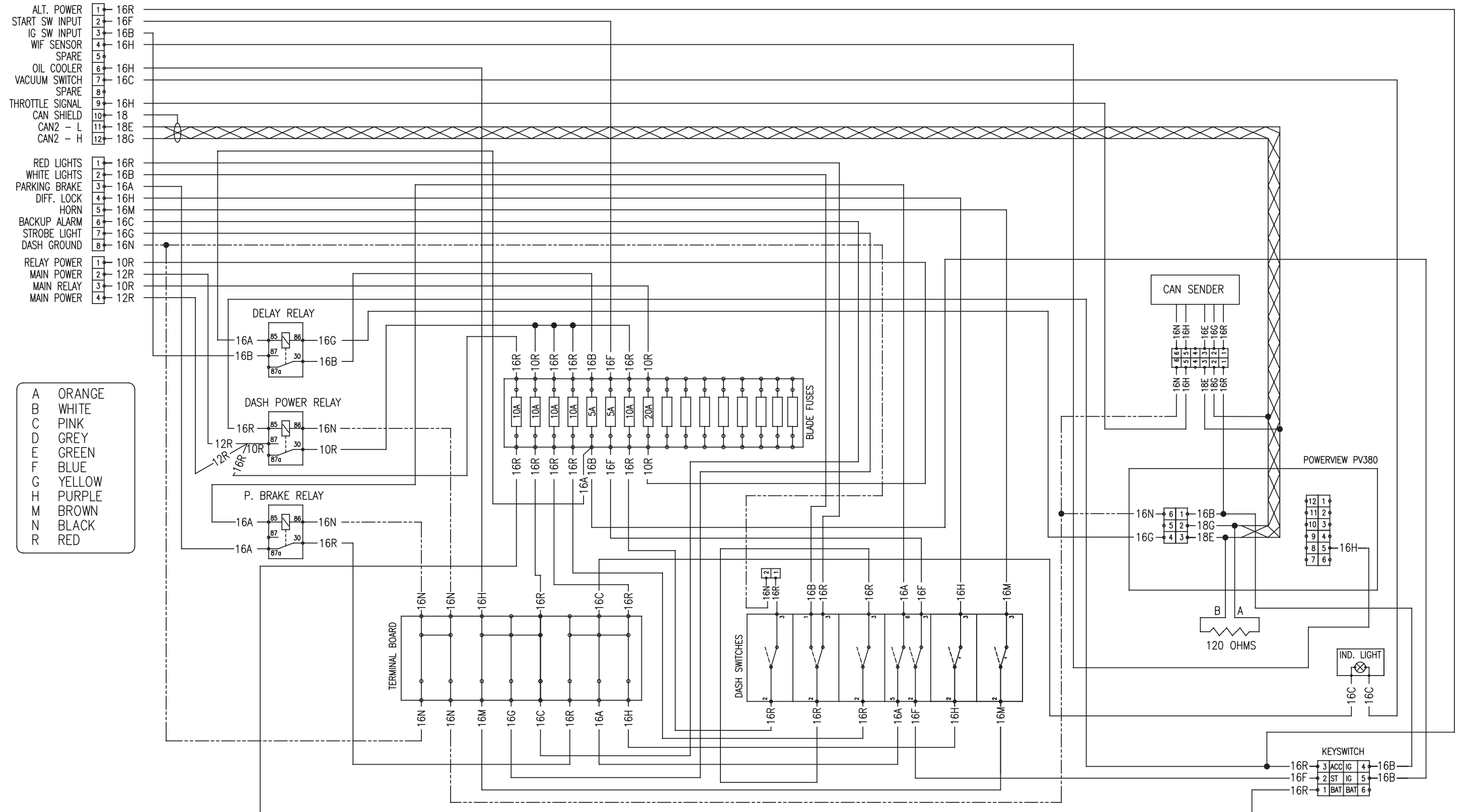
### **SCHEMATICS**

#### **CONTENTS**

<b>ELECTRICAL SCHEMATIC - DASH .....</b>	<b>11-3</b>
<b>ELECTRICAL SCHEMATIC - TRUCK.....</b>	<b>11-5</b>
<b>HYDRAULIC SCHEMATIC - FOR TRACTION.....</b>	<b>11-7</b>
<b>HYDRAULIC SCHEMATIC - EXCLUDING TRACTION .....</b>	<b>11-9</b>
<b>ELECTRICAL SCHEMATIC - WITH POWER DISTRIBUTION AND LOL SWITCH.....</b>	<b>11-11</b>
<b>ELECTRICAL SCHEMATIC - DASH WITH LOL SWITCH .....</b>	<b>11-13</b>



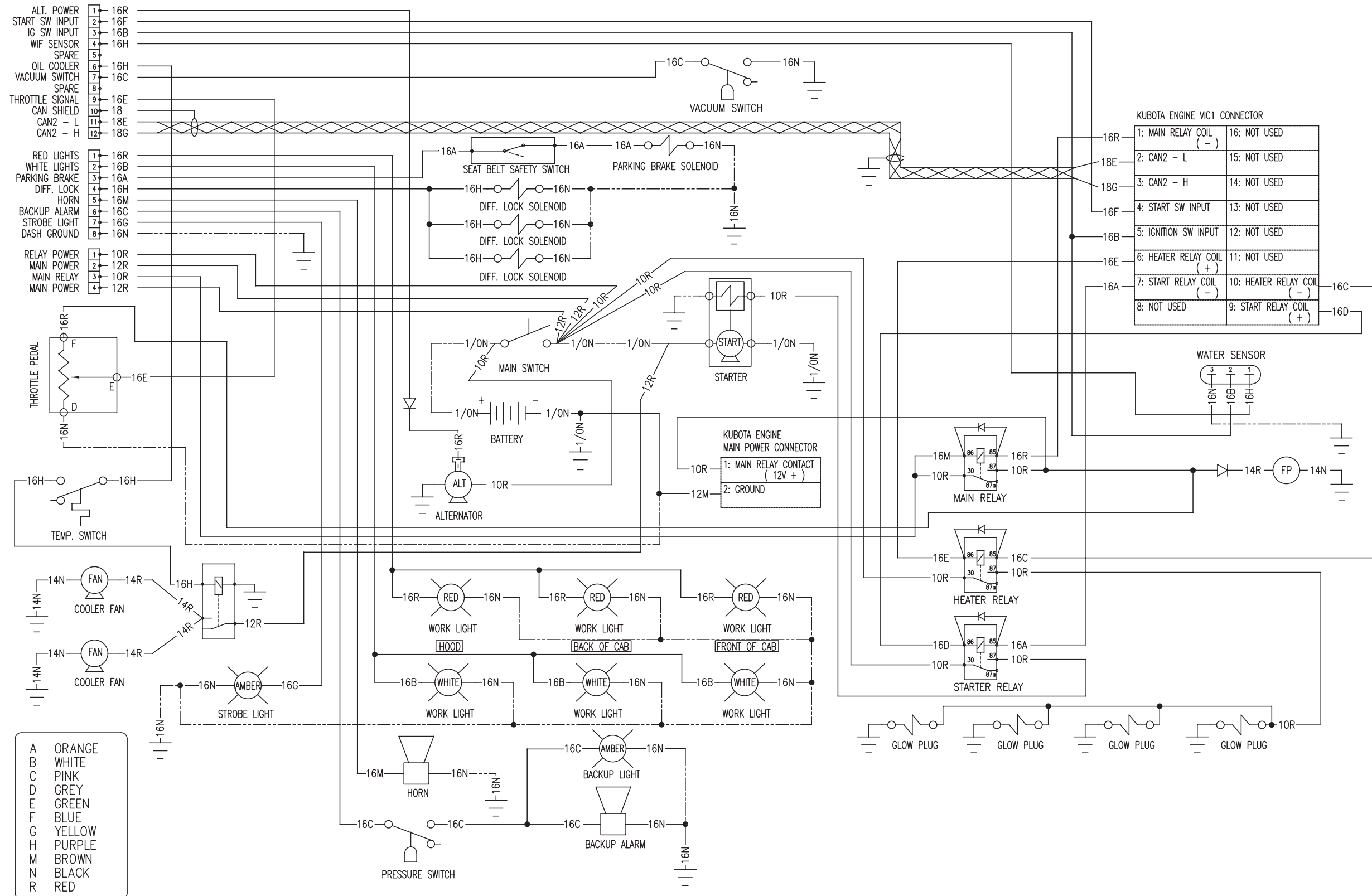
### ELECTRICAL SCHEMATIC - DASH





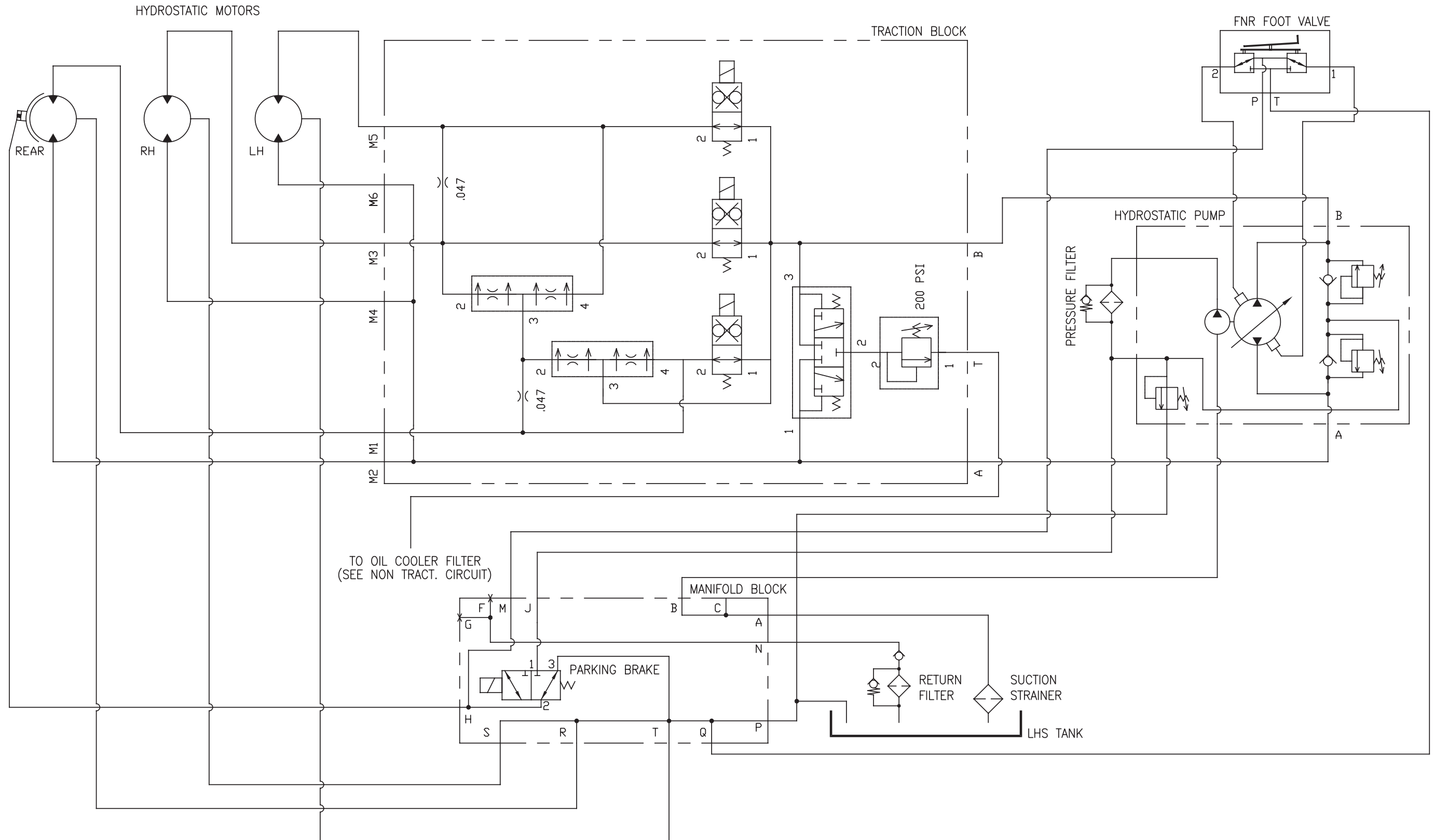


### ELECTRICAL SCHEMATIC - TRUCK



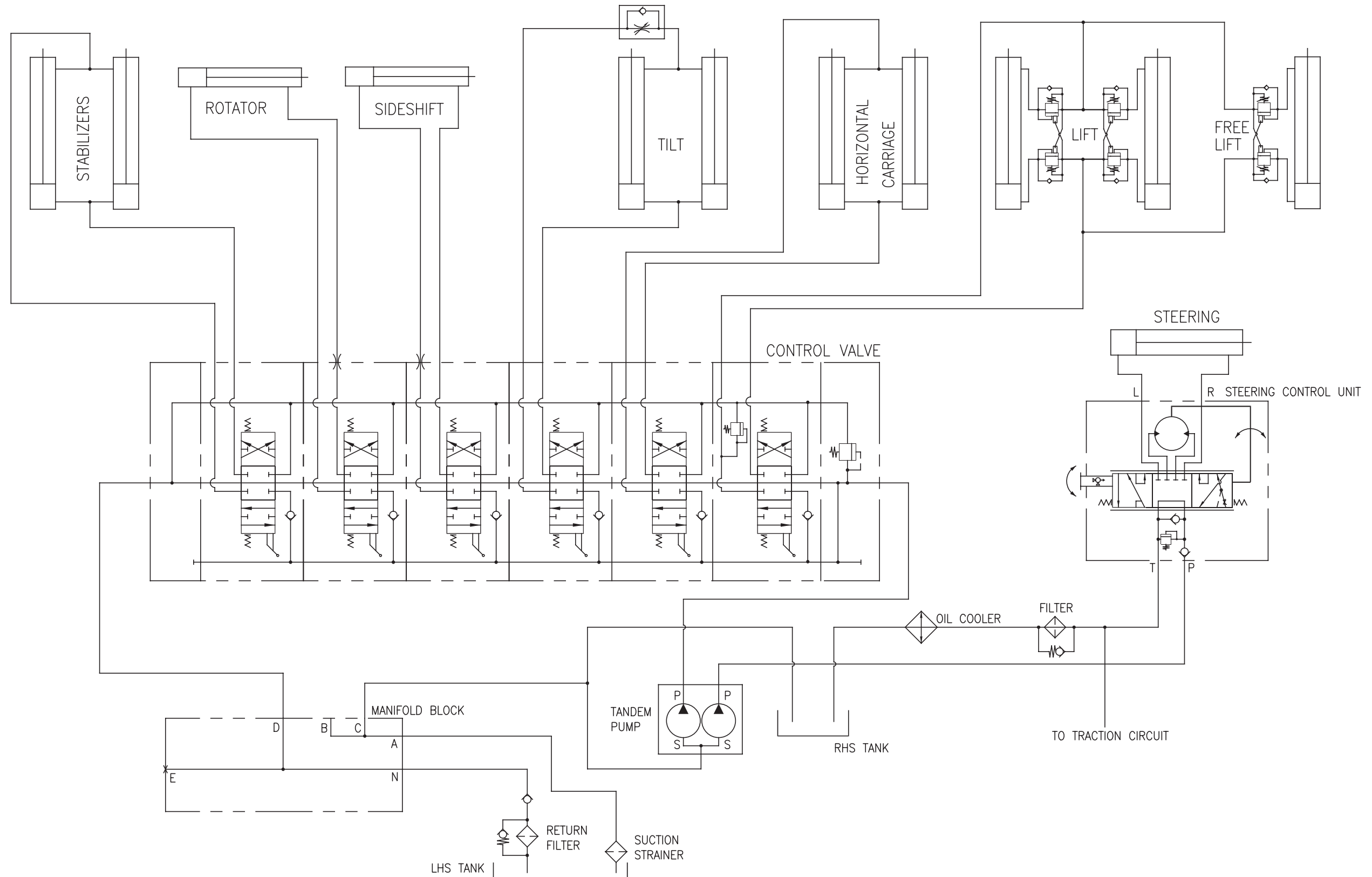


## HYDRAULIC SCHEMATIC - FOR TRACTION



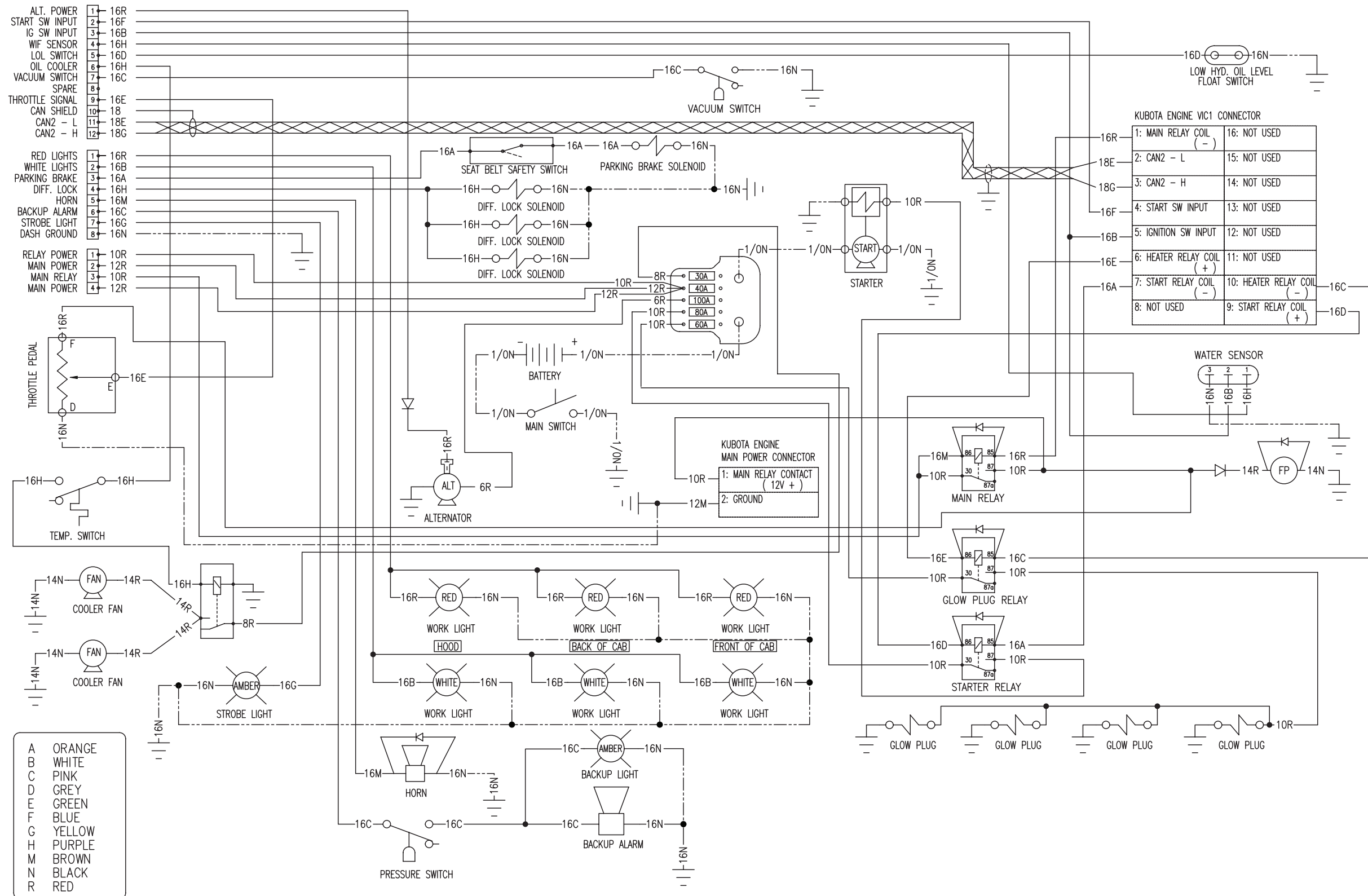


## HYDRAULIC SCHEMATIC - EXCLUDING TRACTION





### ELECTRICAL SCHEMATIC - WITH POWER DISTRIBUTION AND LOL SWITCH







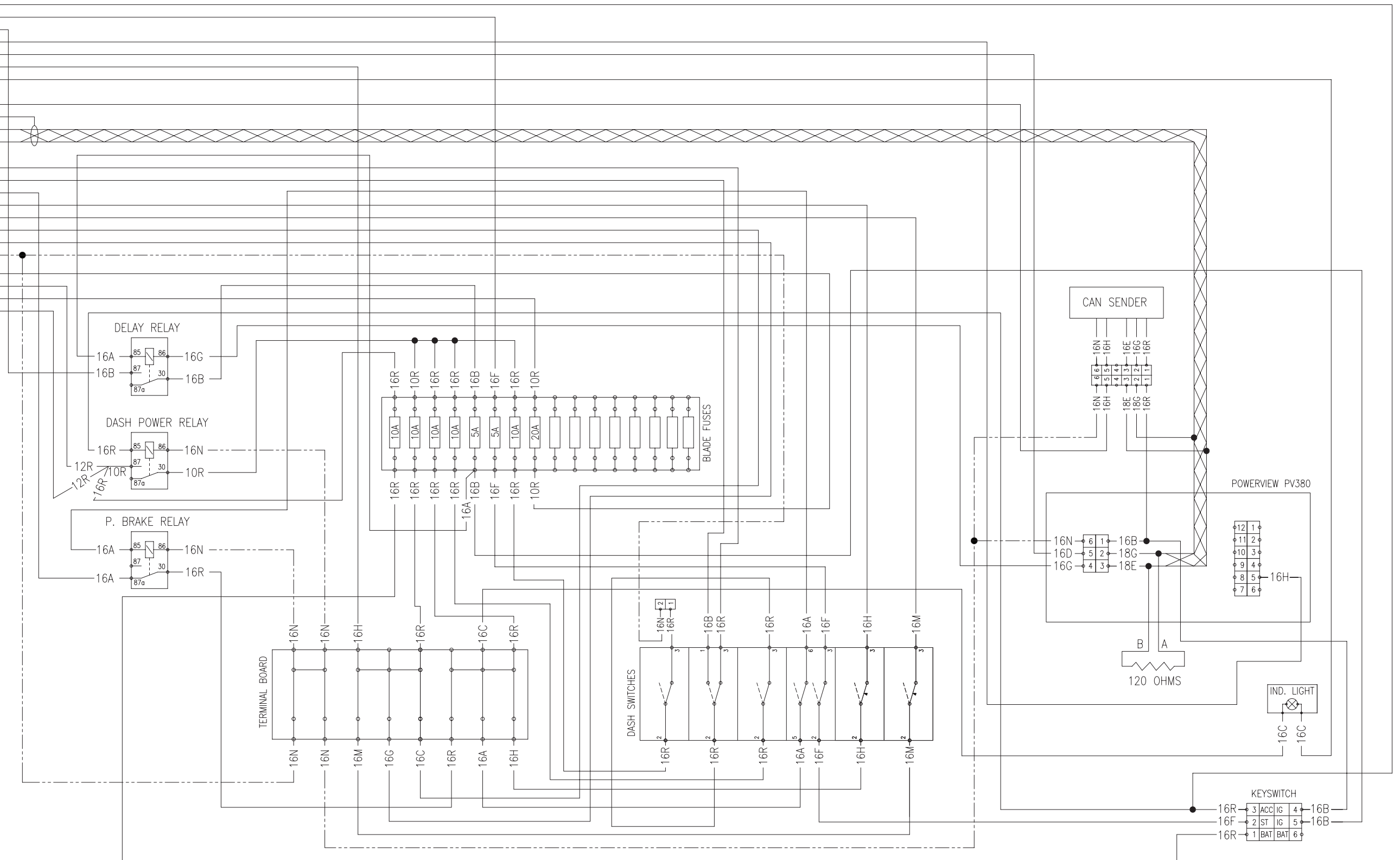
### ELECTRICAL SCHEMATIC - DASH WITH LOL SWITCH

- 1 ALT. POWER 16R
- 2 START SW INPUT 16F
- 3 IG SW INPUT 16B
- 4 WIF SENSOR 16H
- 5 LOL SWITCH 16D
- 6 OIL COOLER 16H
- 7 VACUUM SWITCH 16C
- 8 SPARE
- 9 THROTTLE SIGNAL 16H
- 10 CAN SHIELD 18
- 11 CAN2 - L 18E
- 12 CAN2 - H 18G

- 1 RED LIGHTS 16R
- 2 WHITE LIGHTS 16B
- 3 PARKING BRAKE 16A
- 4 DIFF. LOCK 16H
- 5 HORN 16M
- 6 BACKUP ALARM 16C
- 7 STROBE LIGHT 16G
- 8 DASH GROUND 16N

- 1 RELAY POWER 10R
- 2 MAIN POWER 12R
- 3 MAIN RELAY 10R
- 4 MAIN POWER 12R

- |   |        |
|---|--------|
| A | ORANGE |
| B | WHITE  |
| C | PINK   |
| D | GREY   |
| E | GREEN  |
| F | BLUE   |
| G | YELLOW |
| H | PURPLE |
| M | BROWN  |
| N | BLACK  |
| R | RED    |







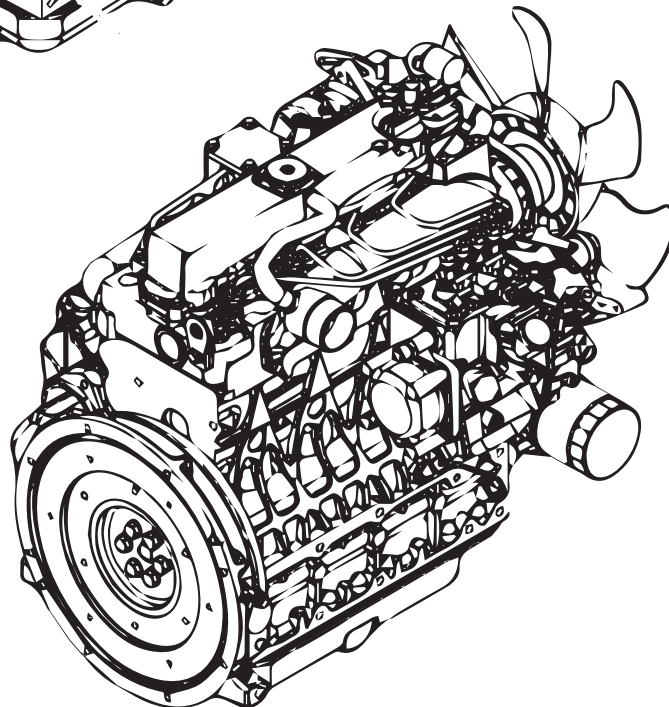
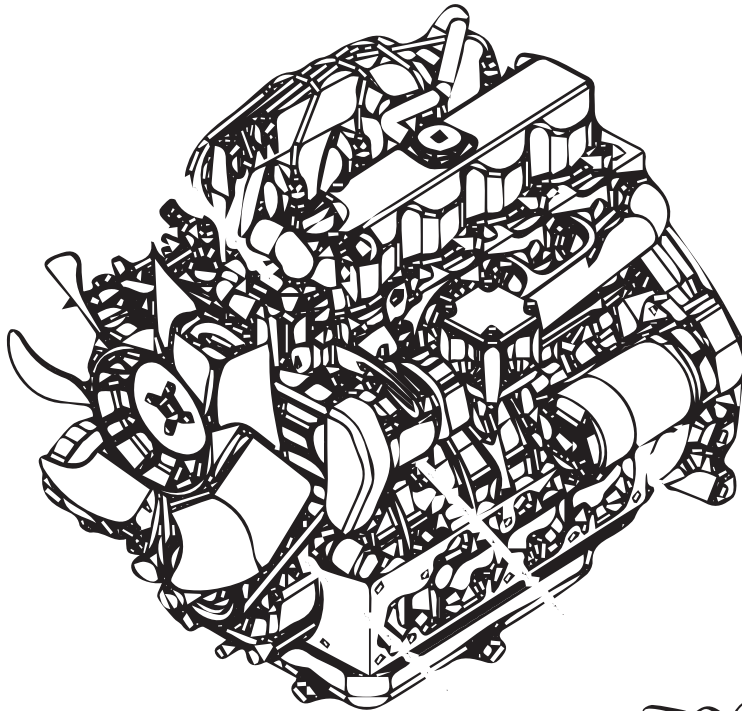
# **Bright Forklift**

**BC3-6560**

## **SECTION 12**

### **KUBOTA DIESEL ENGINE**

### **V2403-CR-TIE4B-BCP-1**





# Bright Forklift

**BC3-6560**

## CONTENTS (CONTINUED)

CRANKCASE (500000) .....	12-4
OIL PAN (501000).....	12-6
DIPSTICK AND GUIDE (501200).....	12-8
OIL PUMP (501500) .....	12-10
CYLINDER HEAD (502000) .....	12-12
INLET VALVE AND EXHAUST VALVE (503000) .....	12-14
ROCKER ARM SHAFT (504000).....	12-16
HEAD COVER (505000) .....	12-18
GEAR CASE (508000).....	12-20
OIL FILTER (508200).....	12-22
MAIN BEARING CASE (510500) .....	12-24
PISTON AND CRANKSHAFT (511000) .....	12-26
CAMSHAFT AND IDLE GEAR (512000) .....	12-28
FLYWHEEL (515000) .....	12-30
FUEL PUMP (MECHANICAL) (521500) .....	12-32
FUEL CAMSHAFT (522000) .....	12-34
SUPPLY PUMP (526500) .....	12-36
FUEL FILTER (531000) .....	12-38
INJECTOR AND GLOW PLUG (540200).....	12-40
INJECTION PIPE (545000) .....	12-42
FUEL PUMP (ELECTRICAL) (547100) .....	12-44
COMMON RAIL (548000) .....	12-46
ALTERNATOR AND PULLEY (550000) .....	12-48
ALTERNATOR (COMPONENT PARTS) (551000).....	12-50
STARTER (554000) .....	12-52



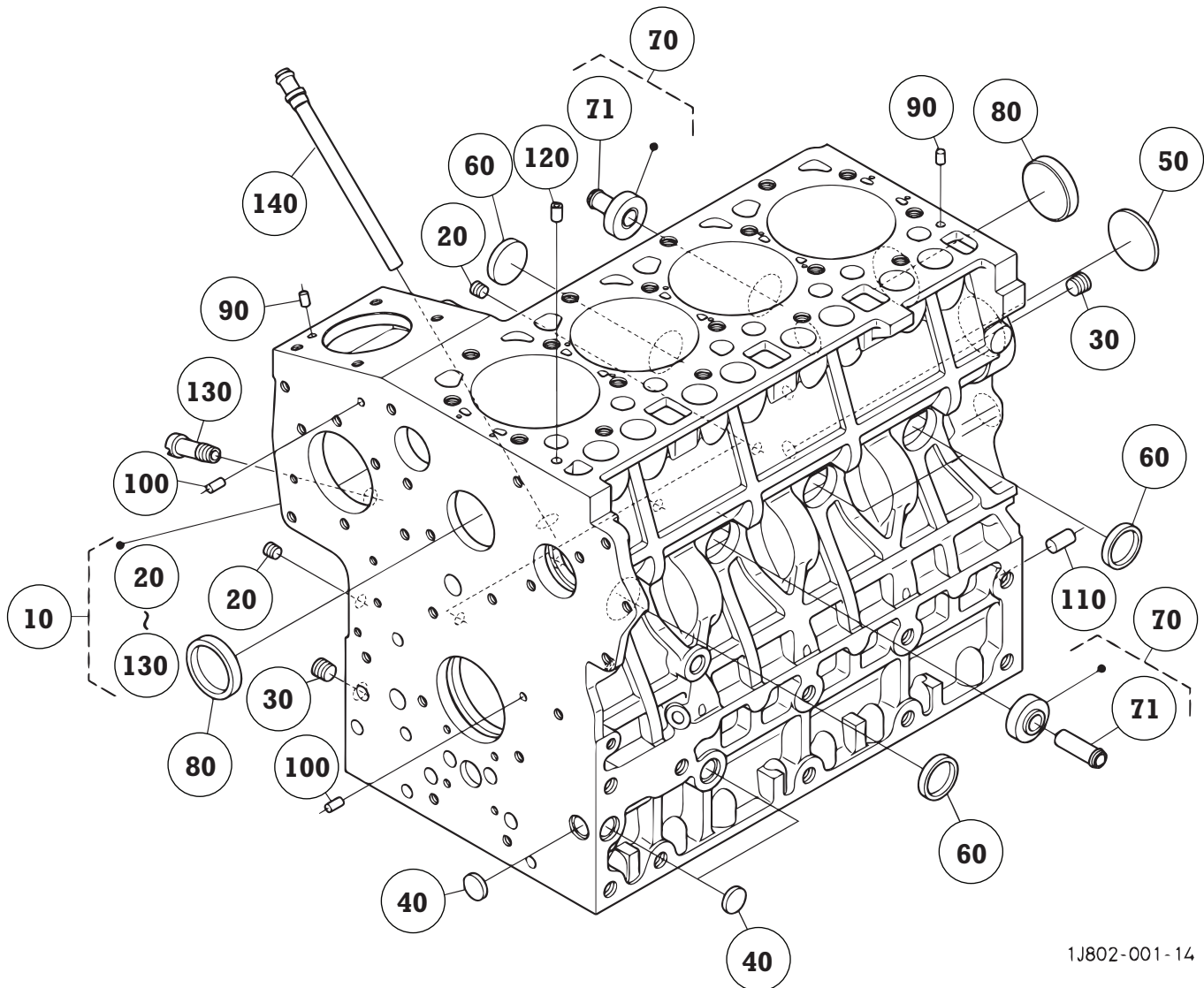
# Bright Forklift

**BC3-6560**

## CONTENTS (CONTINUED)

STARTER (COMPONENT PARTS) (555000) .....	12-54
OIL SWITCH AND THERMOMETER (556000) .....	12-56
INJECTOR HARNESS (557500) .....	12-58
WIRE HARNESS (558000) .....	12-60
WIRE HARNESS BRACKET (558500) .....	12-62
WATER FLANGE AND THERMOSTAT (560000) .....	12-64
WATER PIPE (560200) .....	12-66
WATER PUMP (561000) .....	12-68
FAN PULLEY (567100) .....	12-70
INLET MANIFOLD (571000) .....	12-72
EXHAUST MANIFOLD (572000) .....	12-74
EGR VALVE (572200) .....	12-76
EGR COOLER (572300) .....	12-78
TURBO CHARGER (572600) .....	12-80
AIR CLEANER (573000) .....	12-82
DIESEL OXIDATION CATALYST MUFFLER (573500) .....	12-84
DIESEL OXIDATION CATALYST MUFFLER BRACKET (573600) .....	12-86
OIL SEPARATOR (576500) .....	12-88
OIL SEPARATOR (COMPONENT PARTS) (576600) .....	12-90
OIL PIPE (TURBO CHARGER) (580000) .....	12-92
OIL COOLER (582000) .....	12-94
ECU (ENGINE CONTROL UNIT) (587200) .....	12-96
ACCESSORIES AND SERVICE PARTS (588000) .....	12-98
SEPARATOR (532500) .....	12-100

### CRANKCASE (500000)



1J802-001-14



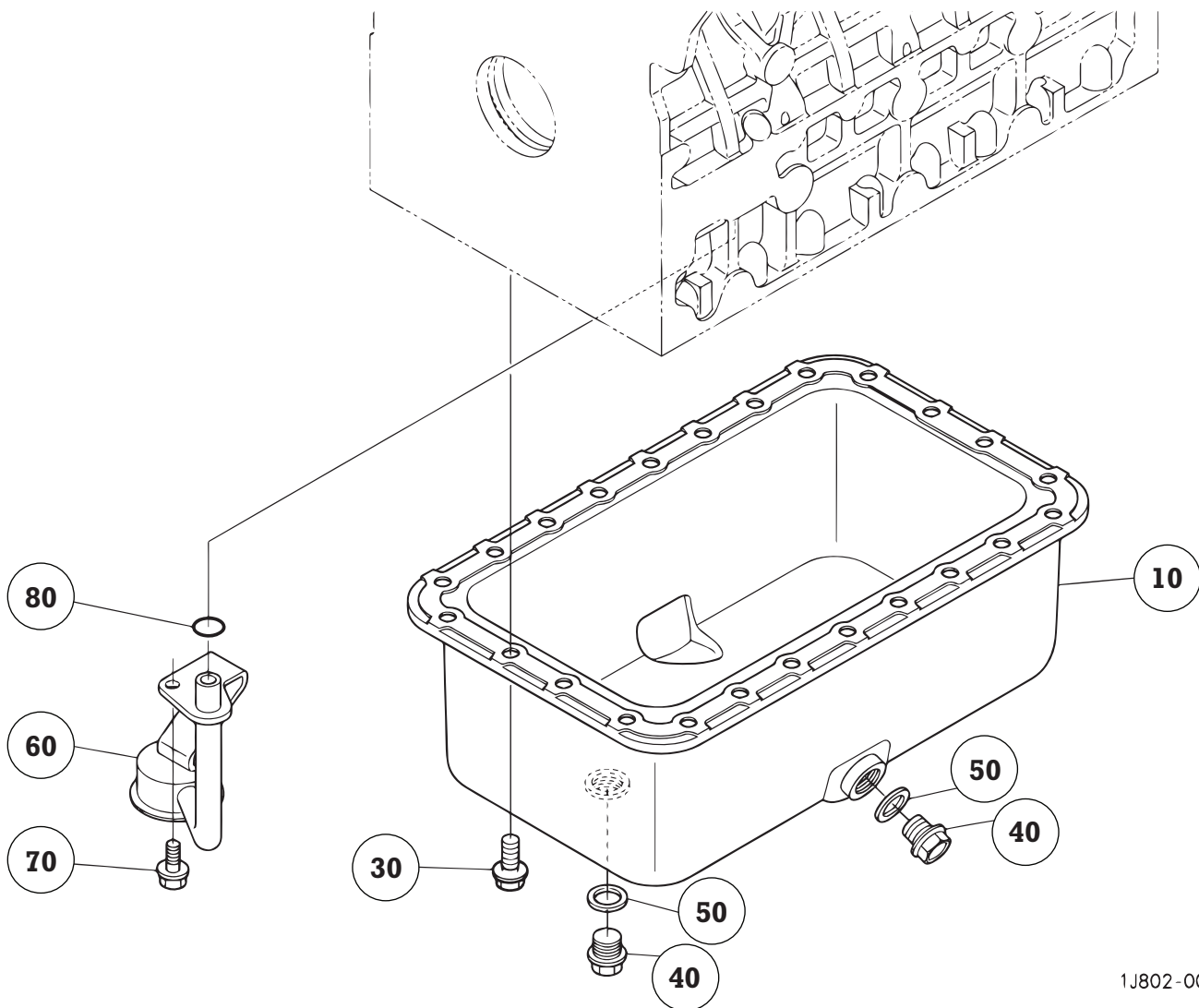
# Bright Forklift

**BC3-6560**

## CRANKCASE (500000)

ITEM	QTY	PART NUMBER	DESCRIPTION
10	1		CRANKCASE, COMP
20	5		PLUG
30	2		PLUG
40	3		PLUG, EXPANSION
50	1		PLUG, EXPANSION
60	4		CAP, SEALING
70	2		PIPE, COMP
71	2		PIPE, WATER RETURN
80	2		CAP, SEALING
90	2		PIN, STRAIGHT
100	2		PIN, STRAIGHT
110	1		PIN, STRAIGHT
120	1		PIN, PIPE
130	1		PIPE (WATER RETURN)
140	1		PIPE, COMP (OIL RETURN)

## OIL PAN (501000)



1J802-002-11





# Bright Forklift

**BC3-6560**

## OIL PAN (501000)

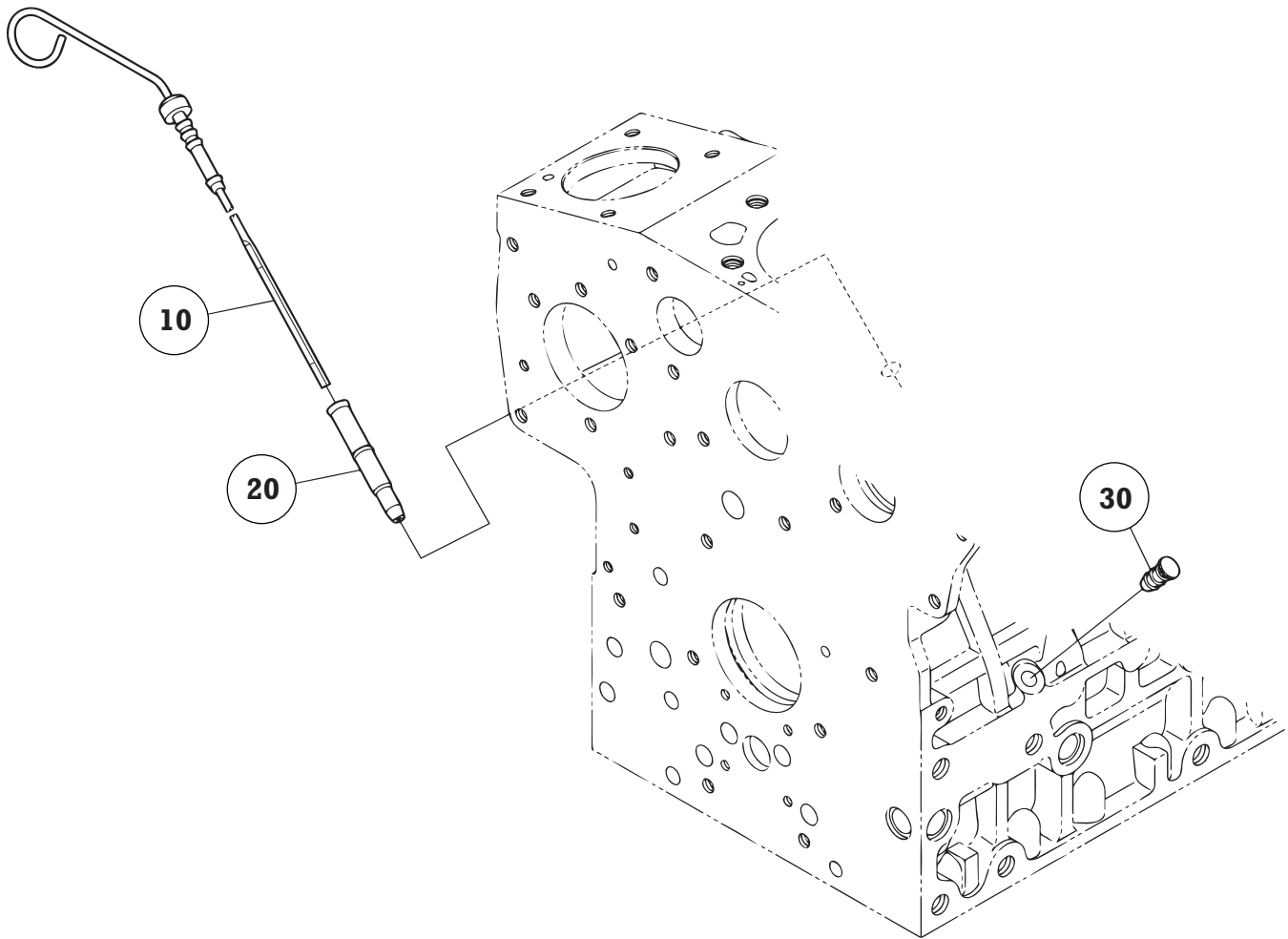
ITEM	QTY	PART NUMBER	DESCRIPTION
10	1		COMPLETE OIL PAN
30	24		BOLT (FLANGE)
40	2	430-00214	PLUG (DRAIN)
50	2	430-00215	PACKING
60	1	097-01046	FILTER, OIL
70	1	097-00914	BOLT, FLANGE
80	1	097-00076	O-RING



# Bright Forklift

**BC3-6560**

**DIPSTICK AND GUIDE (501200)**



1J802-003-11



# Bright Forklift

**BC3-6560**

## DIPSTICK AND GUIDE (501200)

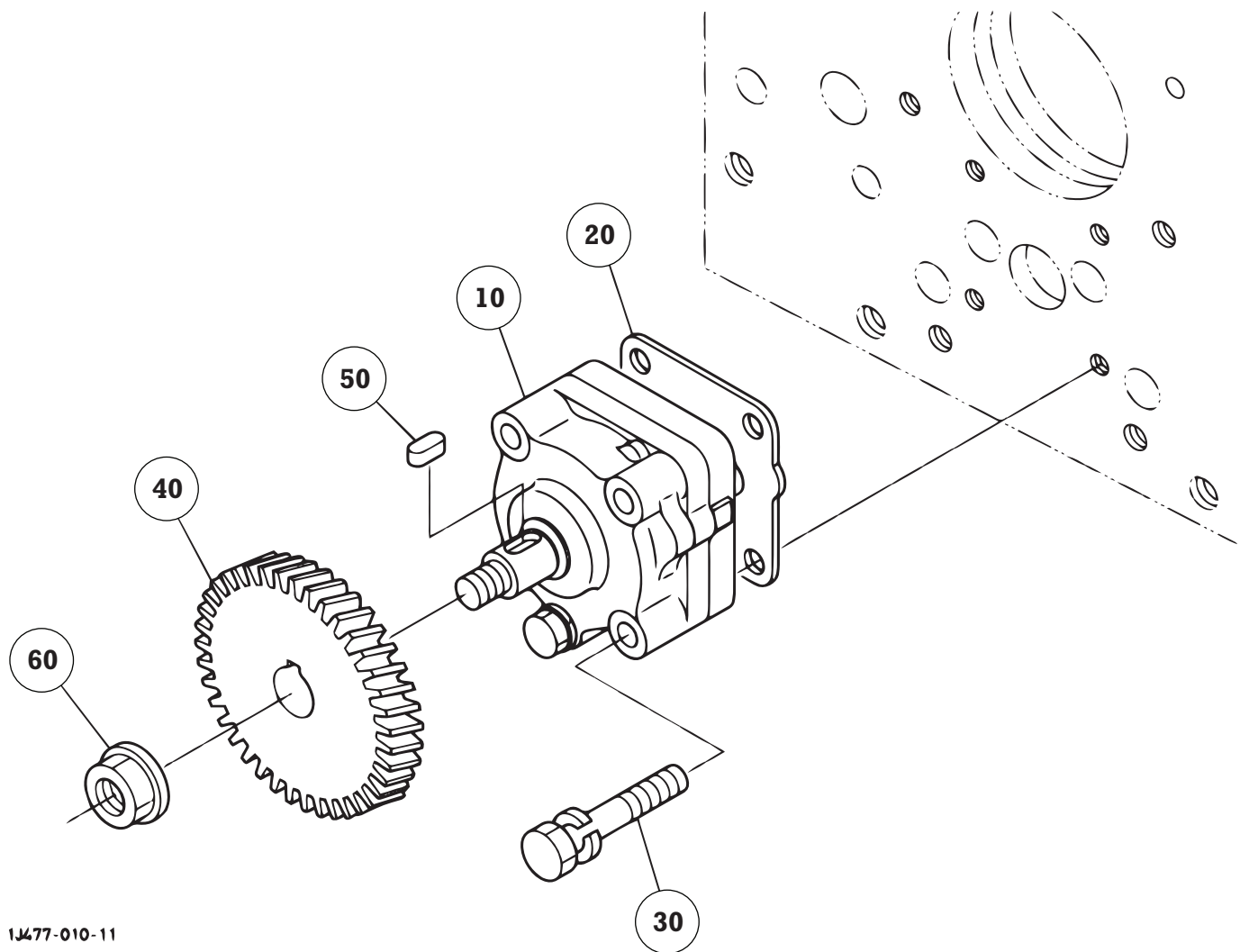
NO	QTY	PART NUMBER	DESCRIPTION
10	1	097-01112	GAUGE, ENGINE OIL
20	1		GUIDE (GAUGE, OIL)
30	1		PLUG, OIL GAUGE



# Bright Forklift

**BC3-6560**

**OIL PUMP (501500)**



1J477-010-11



# Bright Forklift

**BC3-6560**

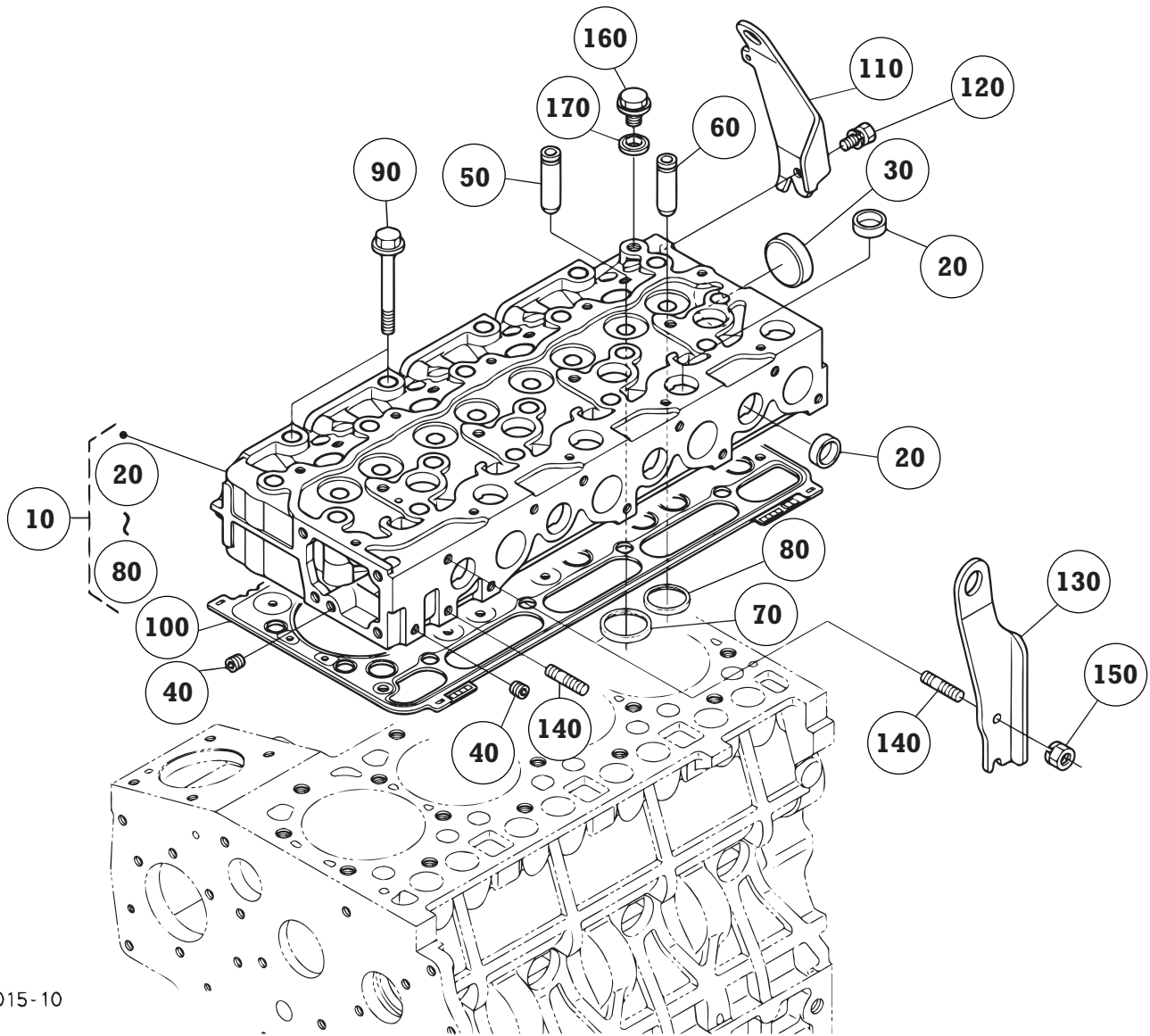
## OIL PUMP (501500)

V	QTY	PART NUMBER	DESCRIPTION
10	1	097-20952	ASSEMBLY PUMP, OIL
20	1	097-00136	GASKET, OIL PUMP
30	4	097-00901	BOLT, SEMS
40	1	097-00979	GEAR (OIL PUMP DRIVE)
50	1	097-00139	KEY, FEATHER
60	1	097-00140	NUT

# Bright Forklift

**BC3-6560**

## CYLINDER HEAD (502000)



1J334-015-10



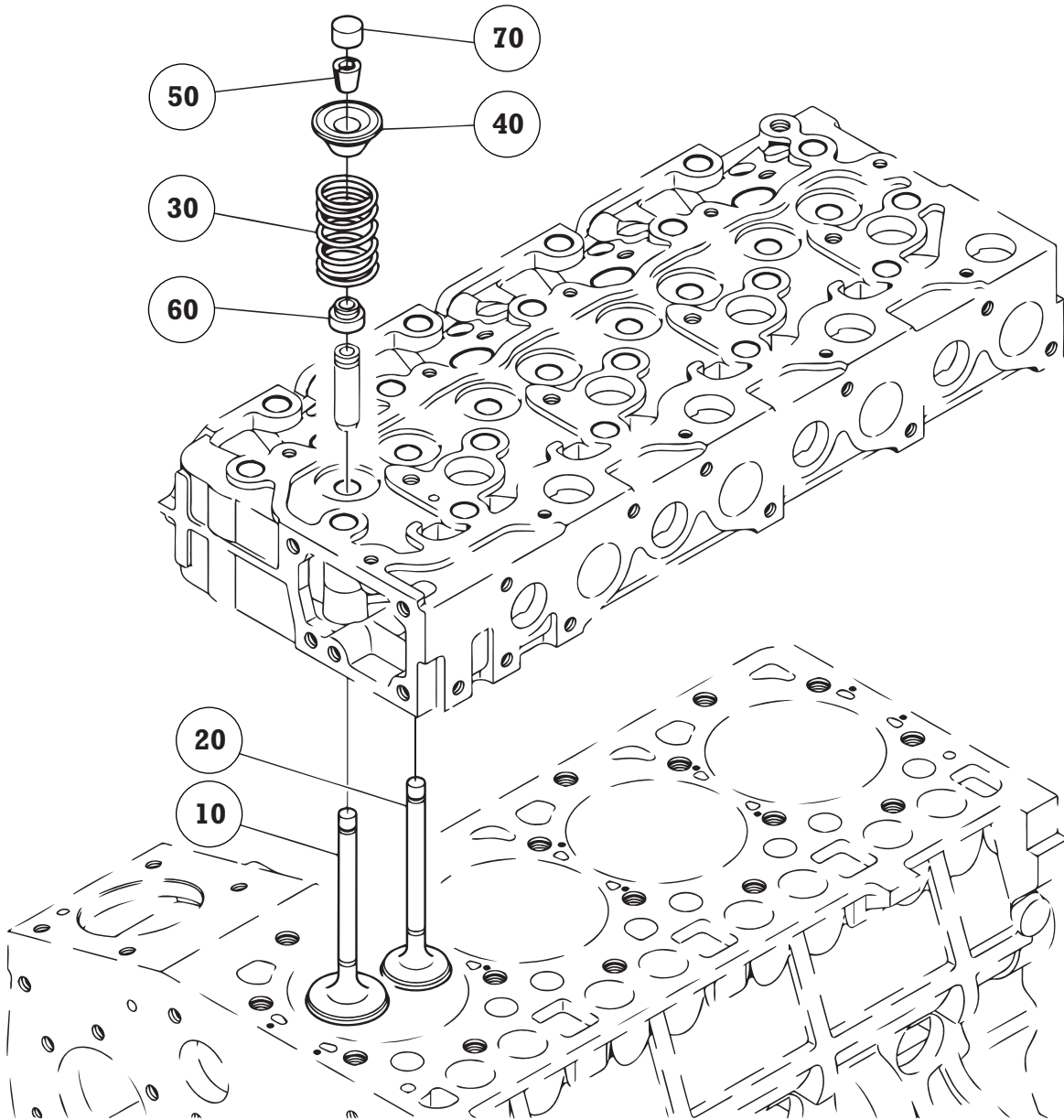
# Bright Forklift

**BC3-6560**

## CYLINDER HEAD (502000)

ITEEM	QTY	PART NUMBER	DESCRIPTION
10	1		HEAD, CYLINDER, COMPLETE
20	12		PLUG, CUP TYPE
30	1		CAP, SEALING
40	2		PLUG
50	4		GUIDE, VALVE,INLET
60	4		GUIDE, EXHAUST VALVE
70	4		SEAT, INLET VALVE
80	4		SEAT, EXHAUST VALVE
90	18	097-00089	BOLT, HEAD (CYLINDER)
100	1	097-20930	GASKET, CYLINDER HEAD, 1.15MM
100	1	097-20931	GASKET, CYLINDER HEAD, 1.20MM
100	1	097-01034	GASKET, CYLINDER HEAD, 1.25MM
100	1	097-01035	GASKET, CYLINDER HEAD, 1.30MM
100	1	097-01036	GASKET, CYLINDER HEAD, 1.35MM
110	1		HOOK (ENGINE, REAR)
120	1		BOLT, SEMS
130	1		HOOK (ENGINE, FRONT)
140	2		BOLT,STUD
150	1		NUT WITH LOCK WASHER
160	1		PLUG
170	1		WASHER, SEAL

## INLET VALVE AND EXHAUST VALVE (503000)



1J334 001 12





# Bright Forklift

**BC3-6560**

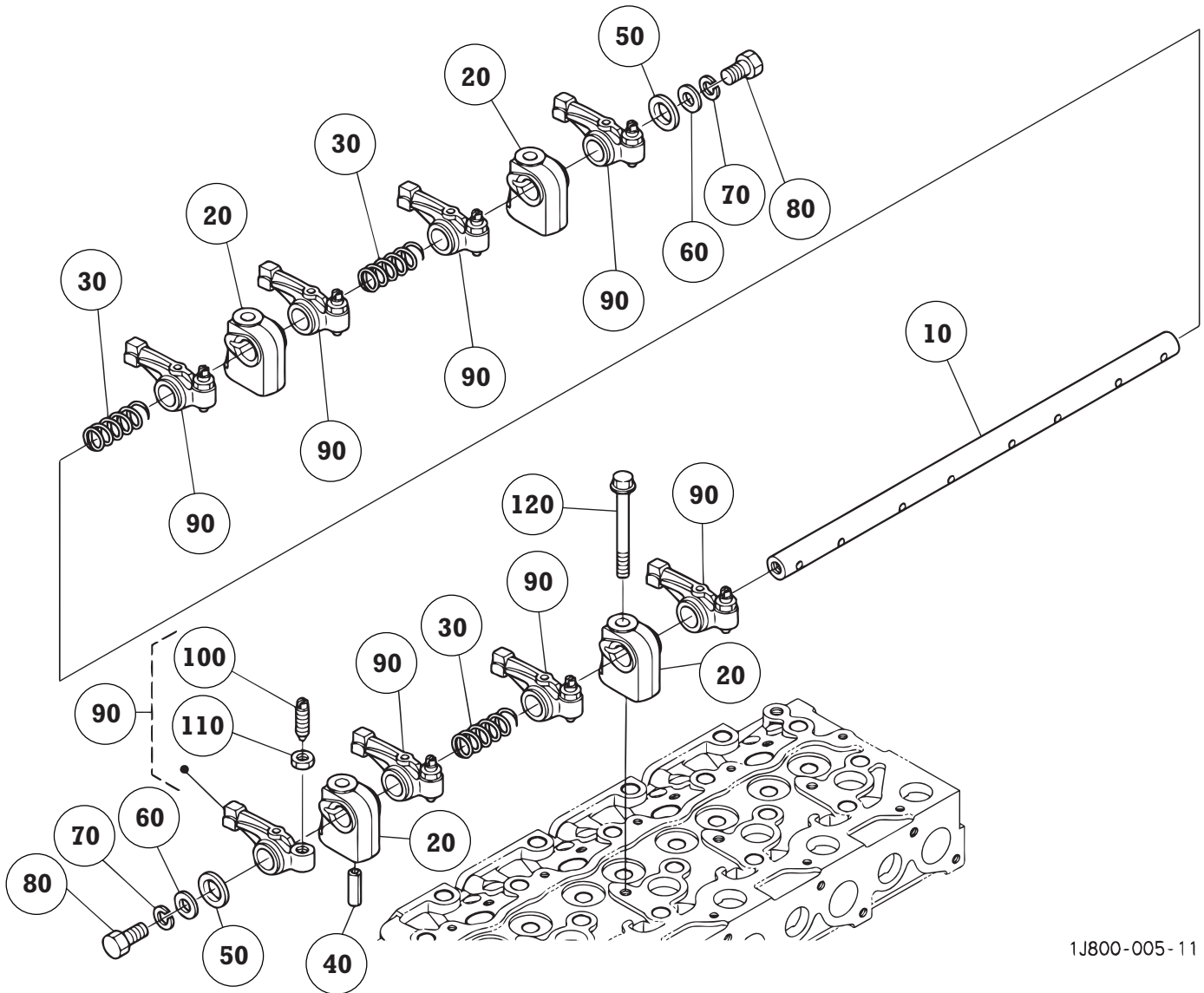
## INLET VALVE AND EXHAUST VALVE (503000)

ITEM	QTY	PART NUMBER	DESCRIPTION
10	4		VALVE, INLET
20	4		VALVE, EXHAUST
30	8		SPRING, VALVE
40	8		RETAINER, VALVE SPRING
50	8		COLLET, VALVE SPRING (SET)
60	8		SEAL (VALVE STEM)
70	8		CAP (VALVE)

# Bright Forklift

**BC3-6560**

**ROCKER ARM SHAFT (504000)**



1J800-005-11



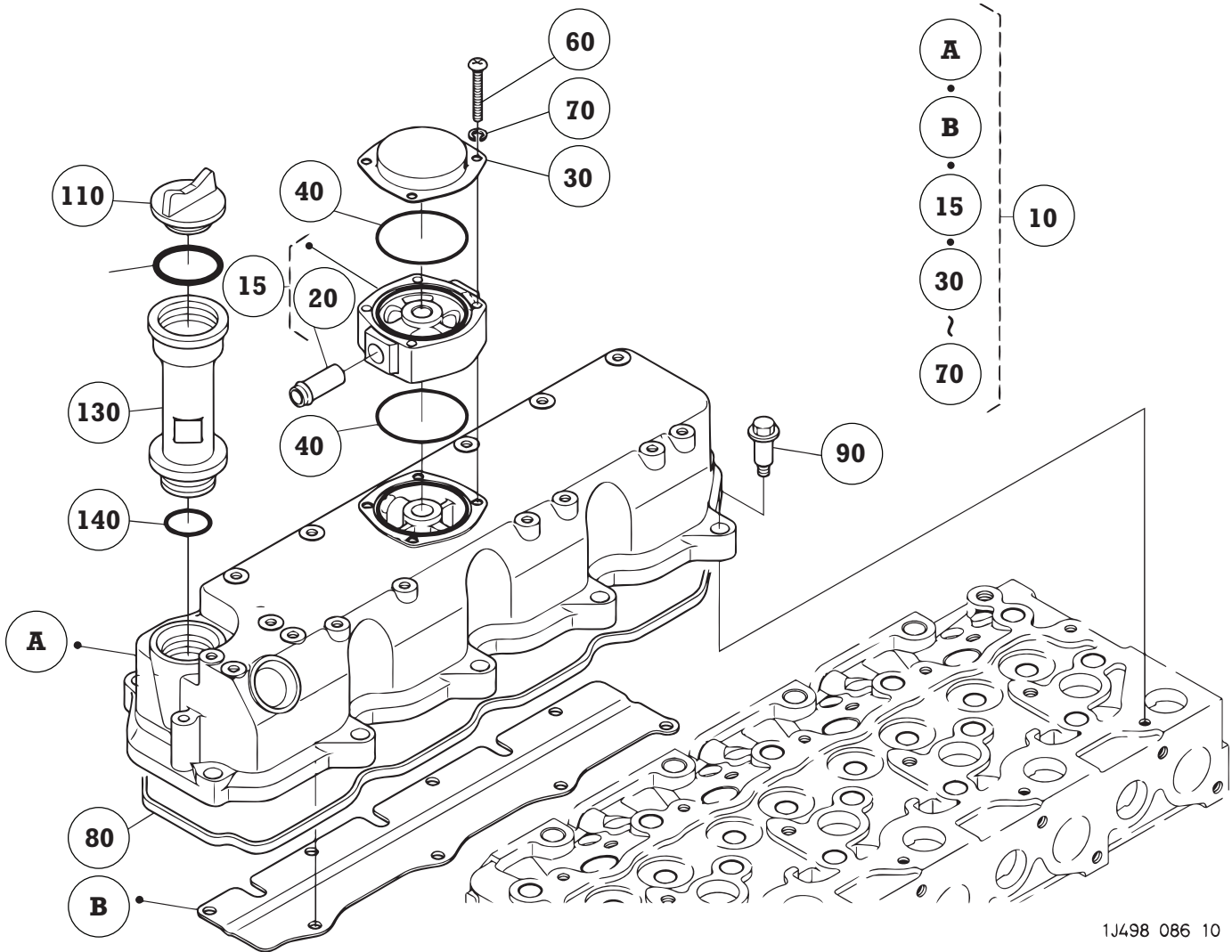
# Bright Forklift

**BC3-6560**

## ROCKER ARM SHAFT (504000)

ITEM	QTY	PART NUMBER	DESCRIPTION
10	1		SHAFT (ROCKER ARM)
20	4		BRACKET, ROCKER ARM
30	3		SPRING (ARM, ROCKER)
40	1		SPRING PIN
50	2		WASHER, ROCKER ARM SHAFT
60	2		WASHER, PLAIN
70	2		WASHER, SPRING LOCK
80	2		HEX BOLT
90	8		ARM, ROCKER, ASSEMBLY
100	8		SCREW
110	8		NUT
120	4		BOLT, FLANGE

### HEAD COVER (505000)



1J498 086 10



# Bright Forklift

**BC3-6560**

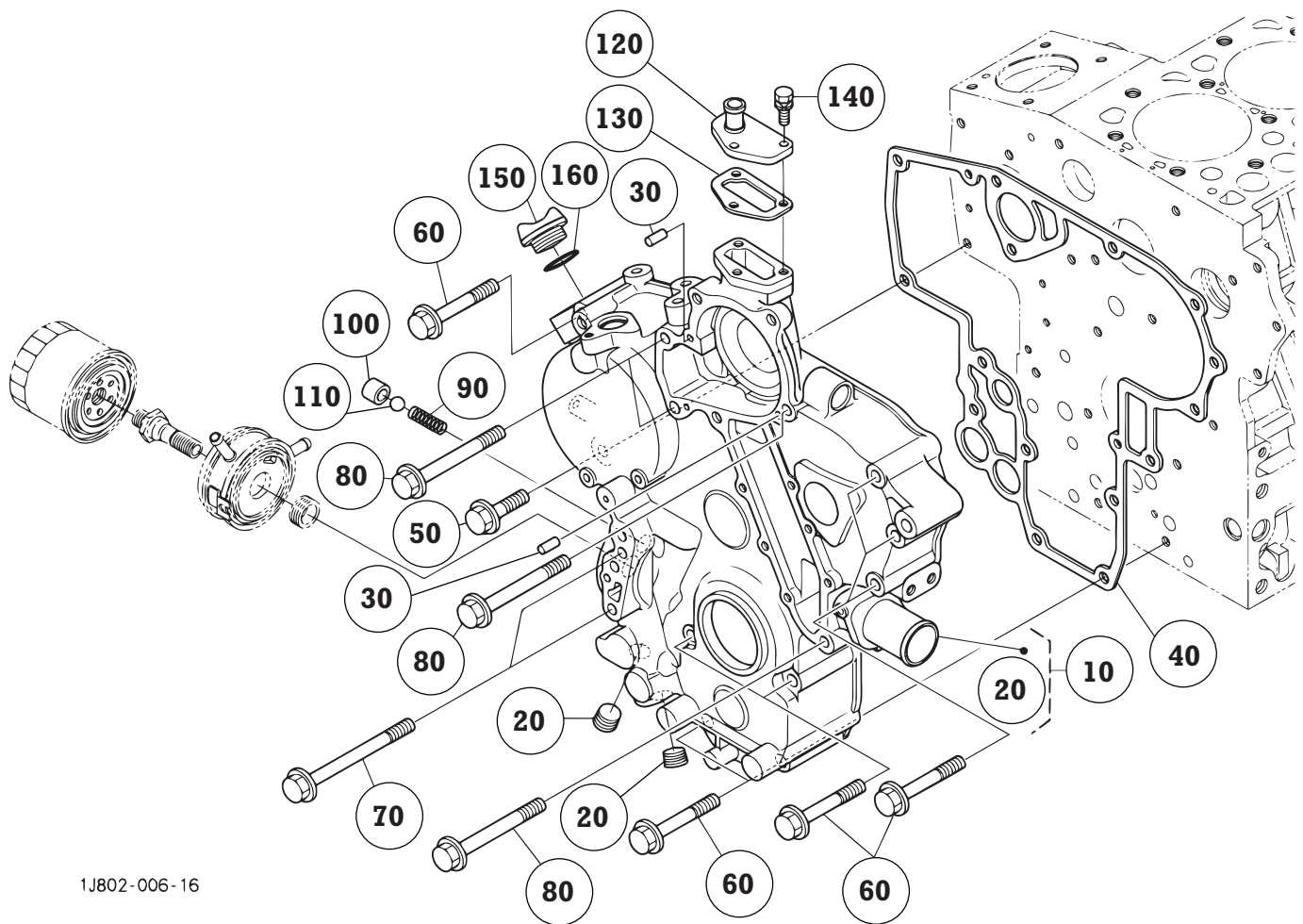
## HEAD COVER (505000)

ITEM	QTY	PART NUMBER	DESCRIPTION
10	1		COVER, HEAD, ASSEMBLY
15	1	097-01122	SPACER, COMP. (BREATHER)
20	1		PIPE, WATER RETURN
30	1		COVER, BREATHER
40	2	097-01071	O-RING
60	4		SCREW, PAN HEAD (PHILLIPS)
70	4		WASHER, SPRING LOCK
80	1	097-01067	GASKET, HEAD COVER
90	10		BOLT
110	1	097-00944	PLUG, OIL FILLER
120	1	097-00130	O-RING
130	1		FLANGE, OIL FILLER
140	1		O-RING

# Bright Forklift

**BC3-6560**

**GEAR CASE (508000)**



1J802-006-16



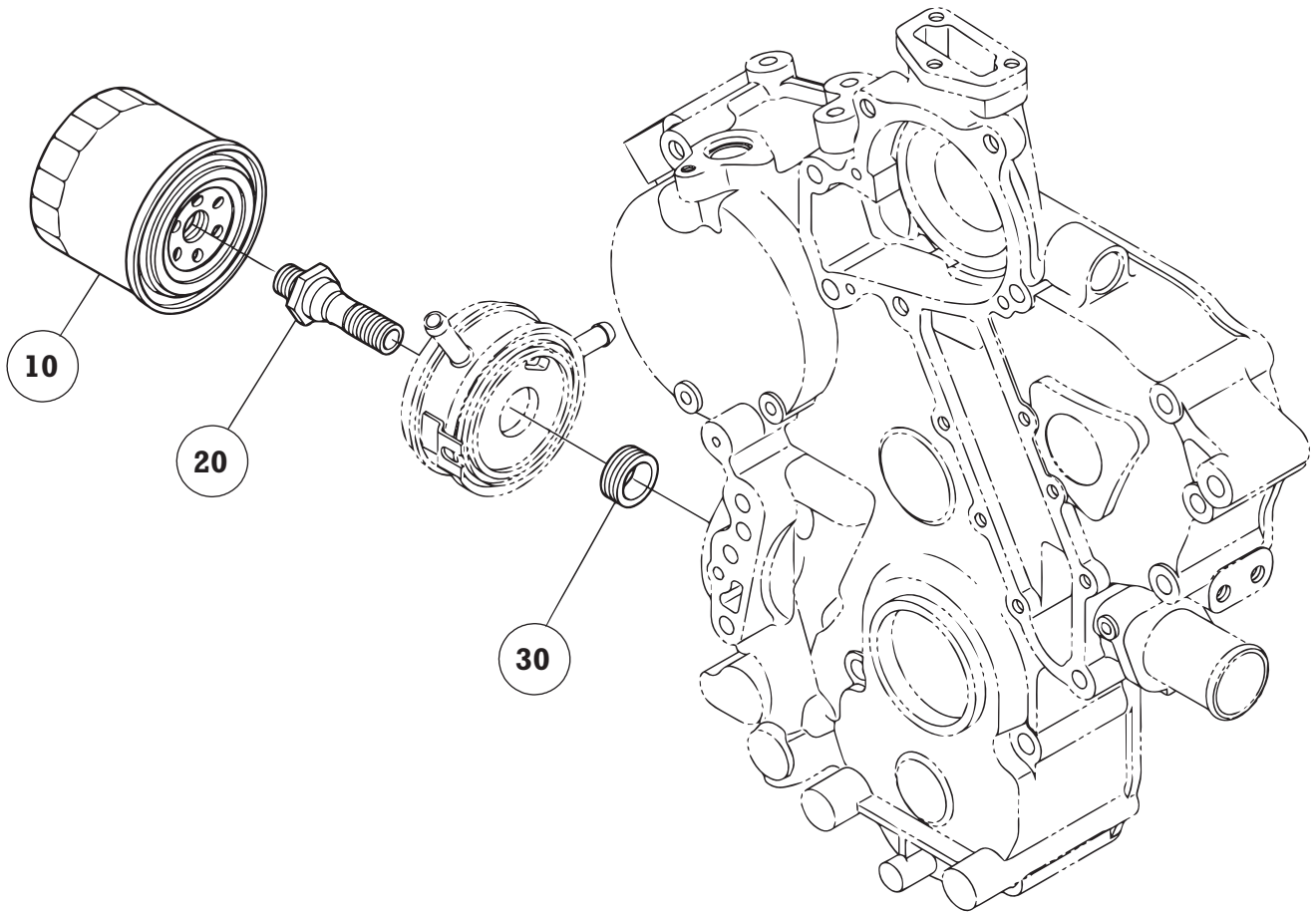
# Bright Forklift

**BC3-6560**

## GEAR CASE (508000)

ITEM	QTY	PART NUMBER	DESCRIPTION
10	1		CASE, GEAR, COMPLETE
20	2		PLUG
30	2		PIN, STRAIGHT
40	1	097-01321	GASKET (GEAR CASE)
50	1		BOLT, FLANGE
60	8		BOLT, SEMS
70	2		BOLT, SEMS
80	4		BOLT, FLANGE
90	1		SPRING
100	1		SEAT, VALVE
110	1		BALL
120	1		FLANGE, WATER RETURN
130	1		GASKET (RETURN FLANGE)
140	3		BOLT, SEMS
150	1		PLUG, OIL FILLER
160	1		O-RING

## OIL FILTER (508200)



1J802-007-16





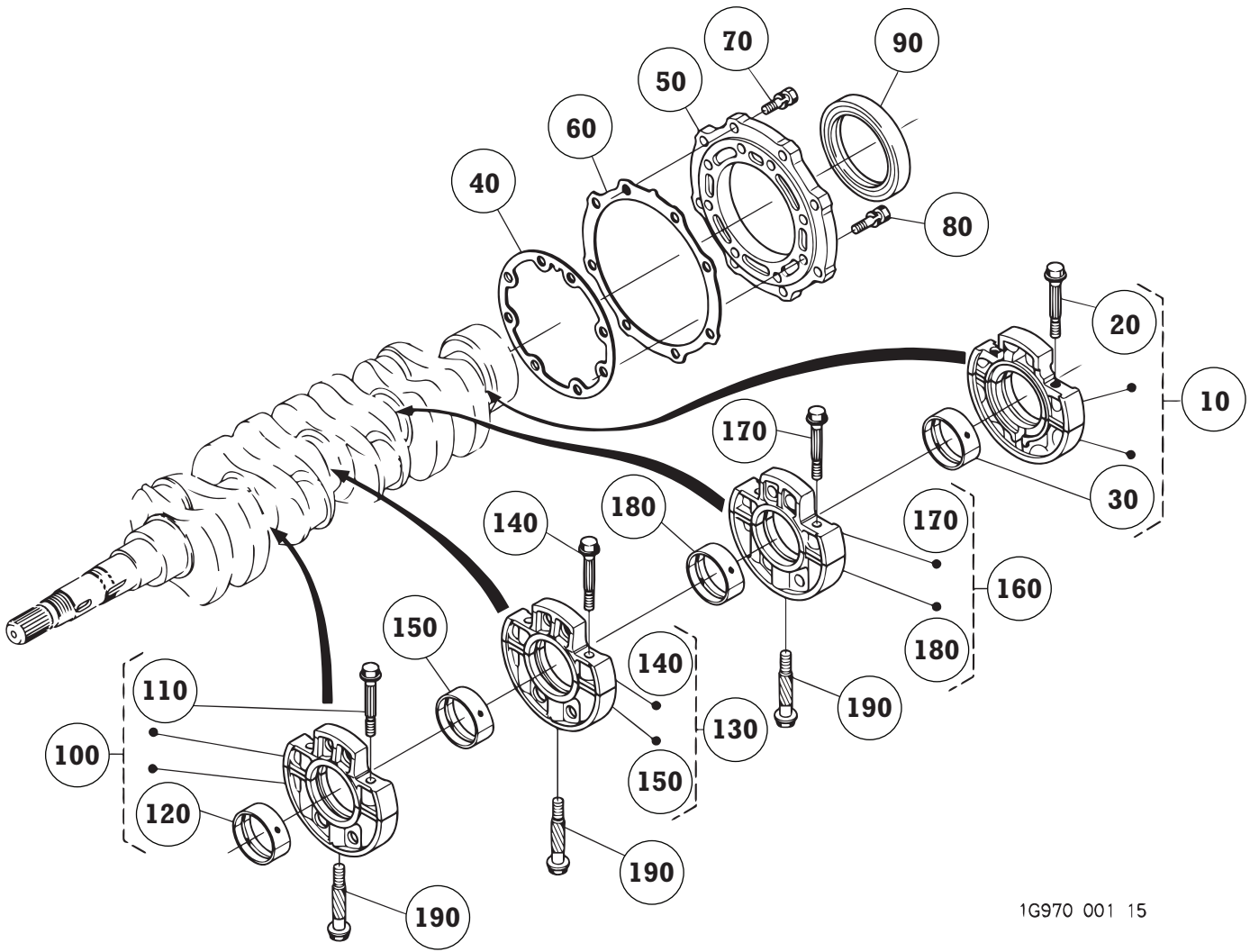
# Bright Forklift

**BC3-6560**

**OIL FILTER (508200)**

ITEM	QTY	PART NUMBER	DESCRIPTION
10	1	097-00131	FILTER (CARTRIDGE, OIL)
20	1	097-01123	CONNECTOR
30	1	097-01124	COLLAR

**MAIN BEARING CASE (510500)**



1G970 001 15



# Bright Forklift

**BC3-6560**

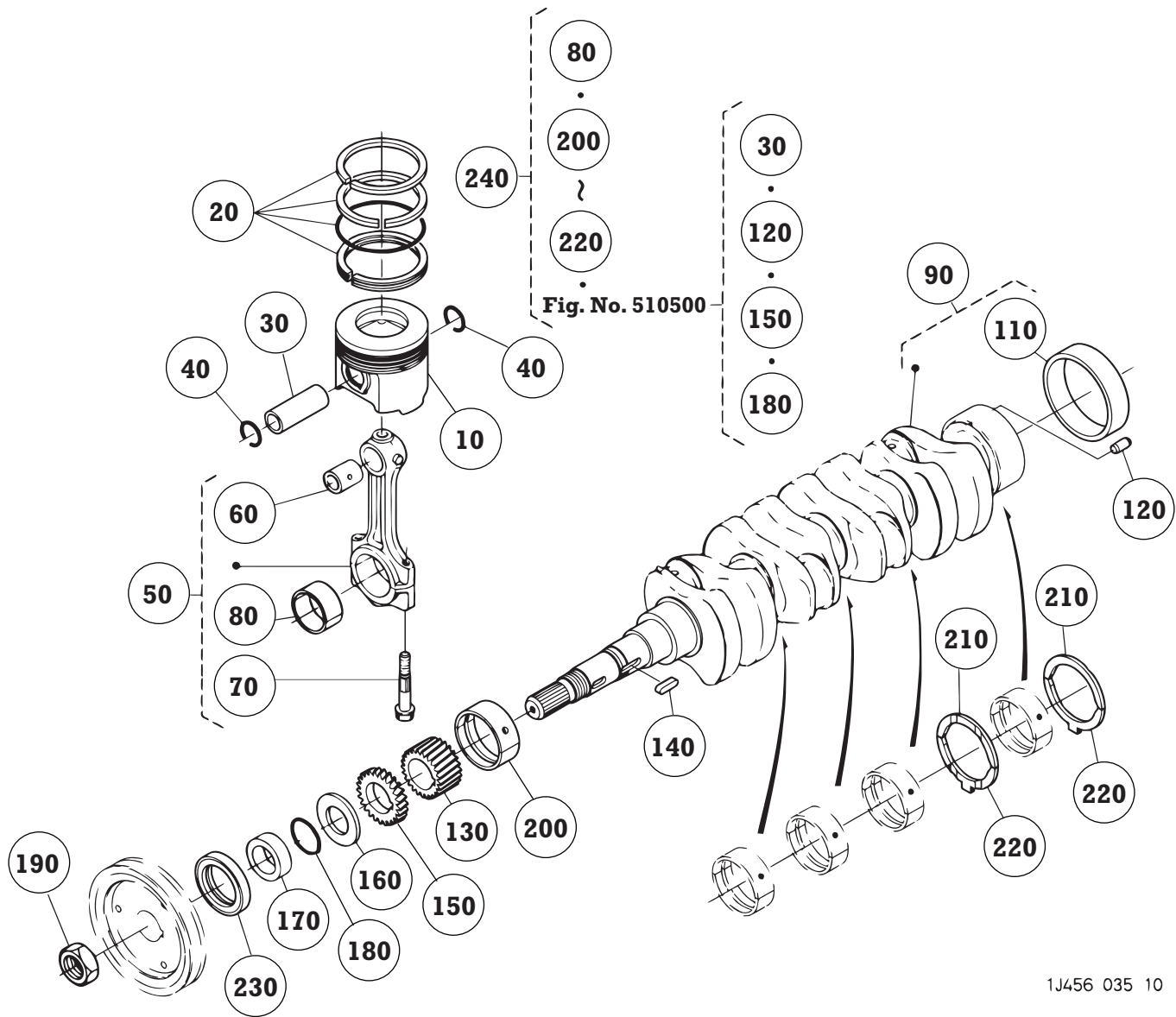
## MAIN BEARING CASE (510500)

ITEM	QTY	PART NUMBER	DESCRIPTION
10	1		ASSEMBLY BEARING CASE, WHEEL
20	2		BOLT, BEARING CASE
30	1		METAL, CRANKSHAFT, STD SET
30	1		METAL,CRANKSHAFT, -0.20MM SET
30	1		METAL,CRANKSHAFT, -0.40MM SET
40	1		GASKET, BEARING CASE
50	1		COVER, BEARING CASE
60	1		GASKET, CASE COVER
70	8		BOLT, SEMS
80	8		BOLT, SEMS
90	1		SEAL, OIL
100	1		ASSY BEARING CASE, MAIN
110	2		BOLT, BEARING CASE
120	1		METAL, CRANKSHAFT, STD SET
120	1		METAL, CRANKSHAFT, -0.20MM SET
120	1		METAL,CRANKSHAFT, -0.40MM SET
130	1		ASSEMBLY BEARING CASE, MAIN
140	2		BOLT, BEARING CASE
150	1		METAL, CRANKSHAFT, STD SET
150	1		METAL, CRANKSHAFT, -0.20MM SET
150	1		METAL, CRANKSHAFT, -0.40MM SET
160	1		ASSEMBLY BEARING CASE, MAIN
170	2		BOLT, BEARING CASE
180	1		METAL, CRANKSHAFT, STD SET
180	1		METAL, CRANKSHAFT, -0.20MM SET
180	1		METAL, CRANKSHAFT, -0.40MM SET
190	3		BOLT, BEARING CASE

# Bright Forklift

**BC3-6560**

**PISTON AND CRANKSHAFT (511000)**



1J456 035 10



# Bright Forklift

**BC3-6560**

## PISTON AND CRANKSHAFT (511000)

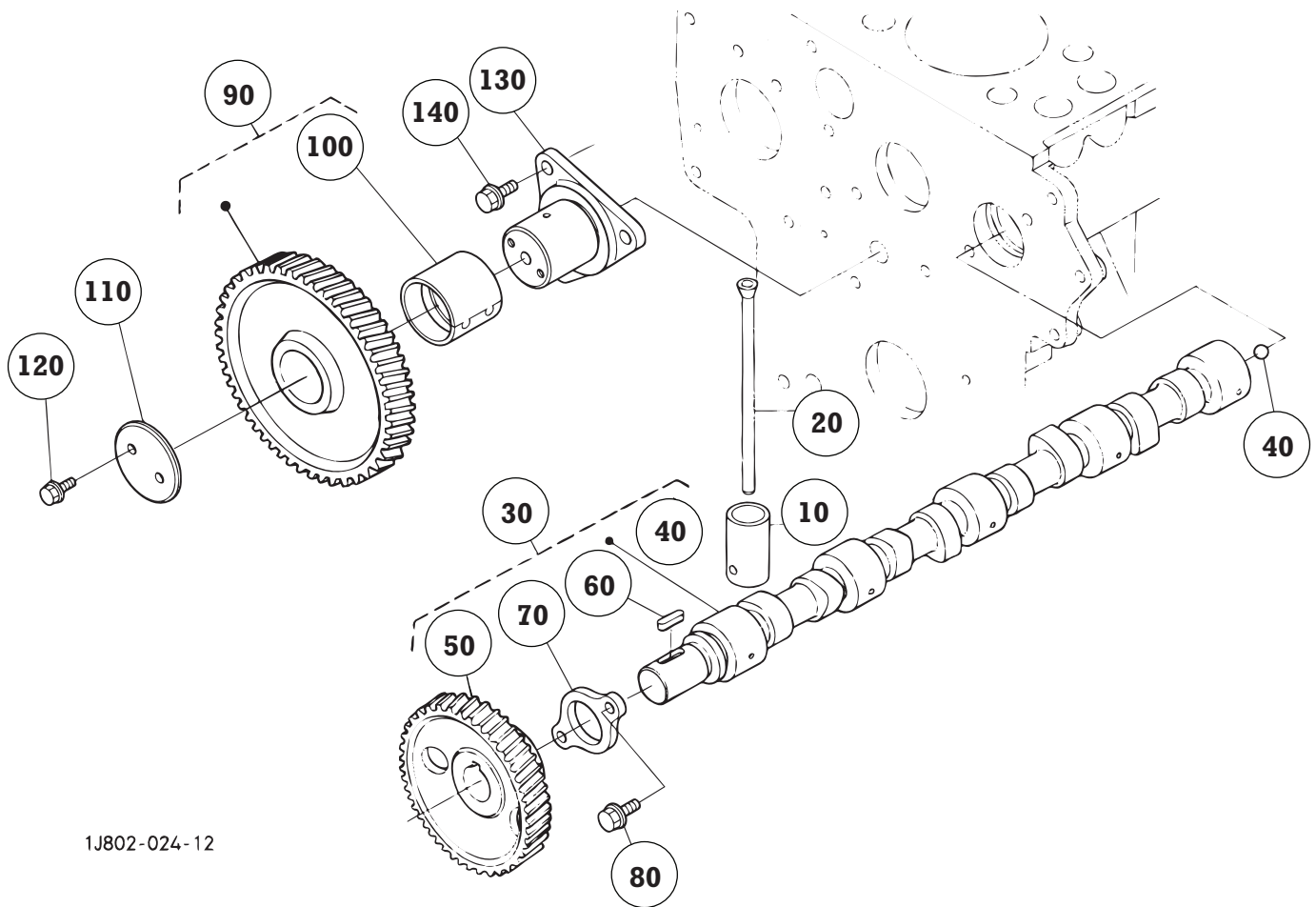
ITEM	QTY	PART NUMBER	DESCRIPTION
10	4 STD 0.6		PISTON(05)
10	4		PISTON(05), +0.25MM
20	4		RING, PISTON, ASSAMBLY, STD
20	4		ASSAMBLY PISTON RING, +0.25MM
30	4		PISTON PIN
40	8		CIR CLIP, INTERNAL
50	4		ROD, CONNECTING, ASSEMBLY
60	4		BUSH, PISTON PIN
70	8		BOLT, CONNECTING ROD
80	4		METAL,CRANKPIN, STD SET
80	4		METAL (CRANKPIN, 02), -0.20MM SET
80	4		METAL (CRANKPIN, 04), -0.40MM SET
90	1		COMP.CRANKSHAFT
110	1		BUSH, CRANKSHAFT
120	1		PIN, STRAIGHT
130	1		GEAR, CRANKSHAFT
140	1		FEATHER KEY
150	1		GEAR (OIL PUMP DRIVE)
160	1		OIL SLINGER
170	1		COLLAR, CRANKSHAFT
180	1	097-00201	O RING
190	1		NUT, CRANKSHAFT
200	1		METAL, CRANKSHAFT, STD
200	1		METAL, CRANKSHAFT, -0.20MM
200	1		METAL, CRANKSHAFT, -0.40MM
210	2		METAL, SIDE, STD
210	2		METAL, SIDE, +0.20MM
210	2		METAL, SIDE, +0.40MM
220	2		METAL, SIDE, STD
220	2		METAL, SIDE, +0.20MM
220	2		METAL, SIDE, +0.40MM
230	1	097-01324	SEAL, OIL
240	1		KIT METAL,ENGINE, STD
240	1		KIT METAL, ENGINE, -0.20MM/+0.20MM
240	1		KIT METAL, ENGINE, -0.40MM/+0.40MM



# Bright Forklift

**BC3-6560**

**CAMSHAFT AND IDLE GEAR (512000)**



1J802-024-12



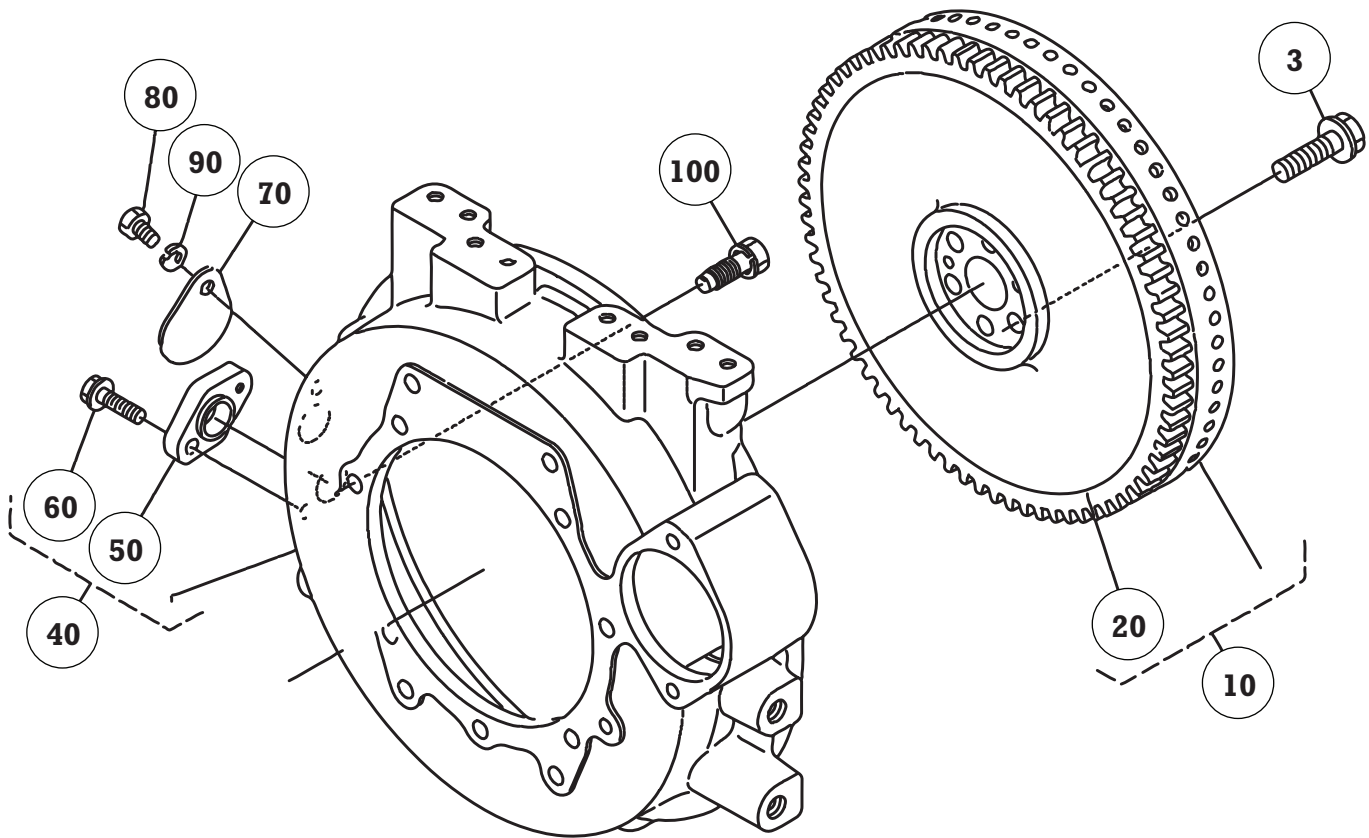
# Bright Forklift

**BC3-6560**

## CAMSHAFT AND IDLE GEAR (512000)

ITEM	QTY	PART NUMBER	DESCRIPTION
10	8		TAPPET
20	8		ROD, PUSH
30	1		ASSEMBLY CAMSHAFT
40	1		BALL 1/4
50	1		GEAR CAMSHAFT
60	1		KEY FEATHER
70	1		STOPPER (CAMSHAFT)
80	2		BOLT FLANGE
90	1		GEAR COMP. (IDLE)
100	1		BUSHING (IDLE GEAR)
110	1		COLLAR, IDLE GEAR
120	2		BOLT, FLANGE
130	1		SHAFT, IDLE GEAR
140	3		BOLT, FLANGE

## FLYWHEEL (515000)







# Bright Forklift

**BC3-6560**

## FLYWHEEL (515000)

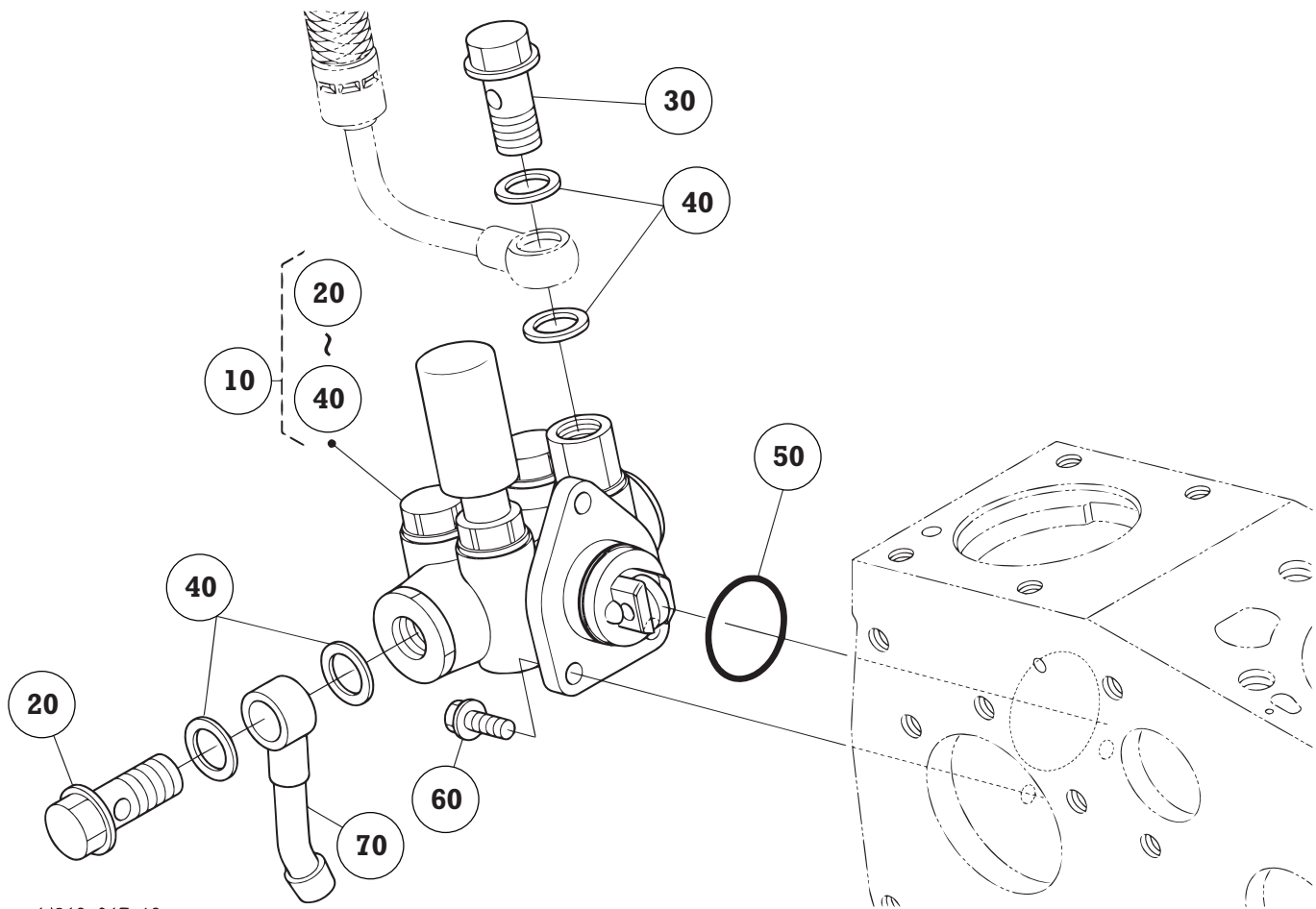
ITEM	QTY	PART NUMBER	DESCRIPTION
10	1	097-01342	FLYWHEEL, COMPLETE
20	1		GEAR (RING)
30	6	097-01069	BOLT, FLYWHEEL
40	1		HOUSING, COMP (FLYWHEEL)
50	1		BRACKET (SENSOR)
60	1	097-00271	BOLT, FLANGE
70	1		COVER
80	1	097-01343	HEX, BOLT
90	1	097-00924	WASHER, SPRING LOCK
100	11	097-00957	BOLT



# Bright Forklift

**BC3-6560**

**FUEL PUMP (MECHANICAL) (521500)**



1J813-017-13



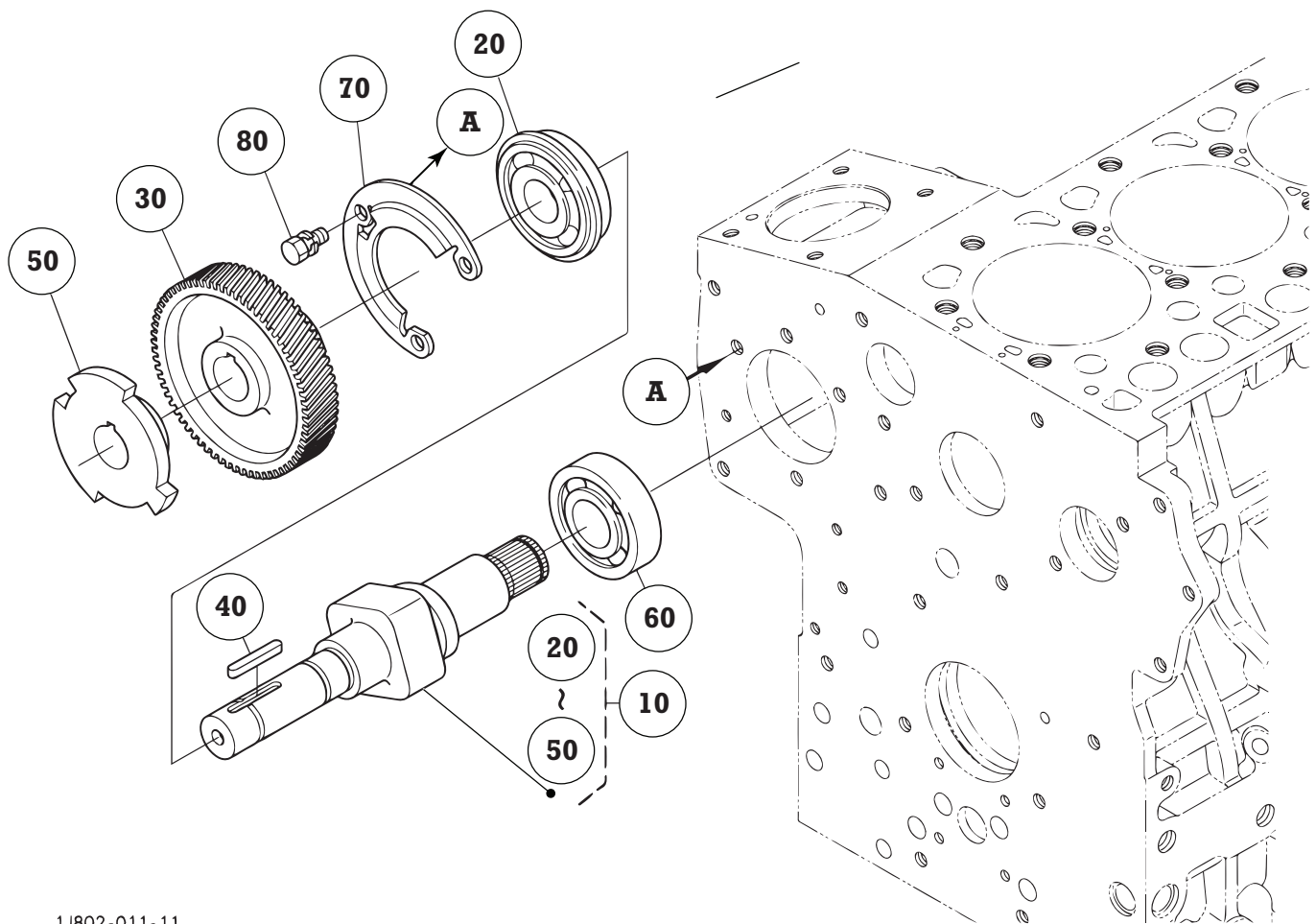
# Bright Forklift

**BC3-6560**

## FUEL PUMP (MECHANICAL) (521500)

ITEM	QTY	PART NUMBER	DESCRIPTION
10	1	097-01125	PUMP ASSEMBLY (FUEL)
20	1	097-01126	BOLT, JOINT
30	1	097-01127	BOLT, JOINT
40	4	097-01128	GASKET (PIPE,JOINT)
50	1	097-01129	O-RING
60	3		BOLT, FLANGE
70	1		PIPE

## FUEL CAMSHAFT (522000)



1J802-011-11

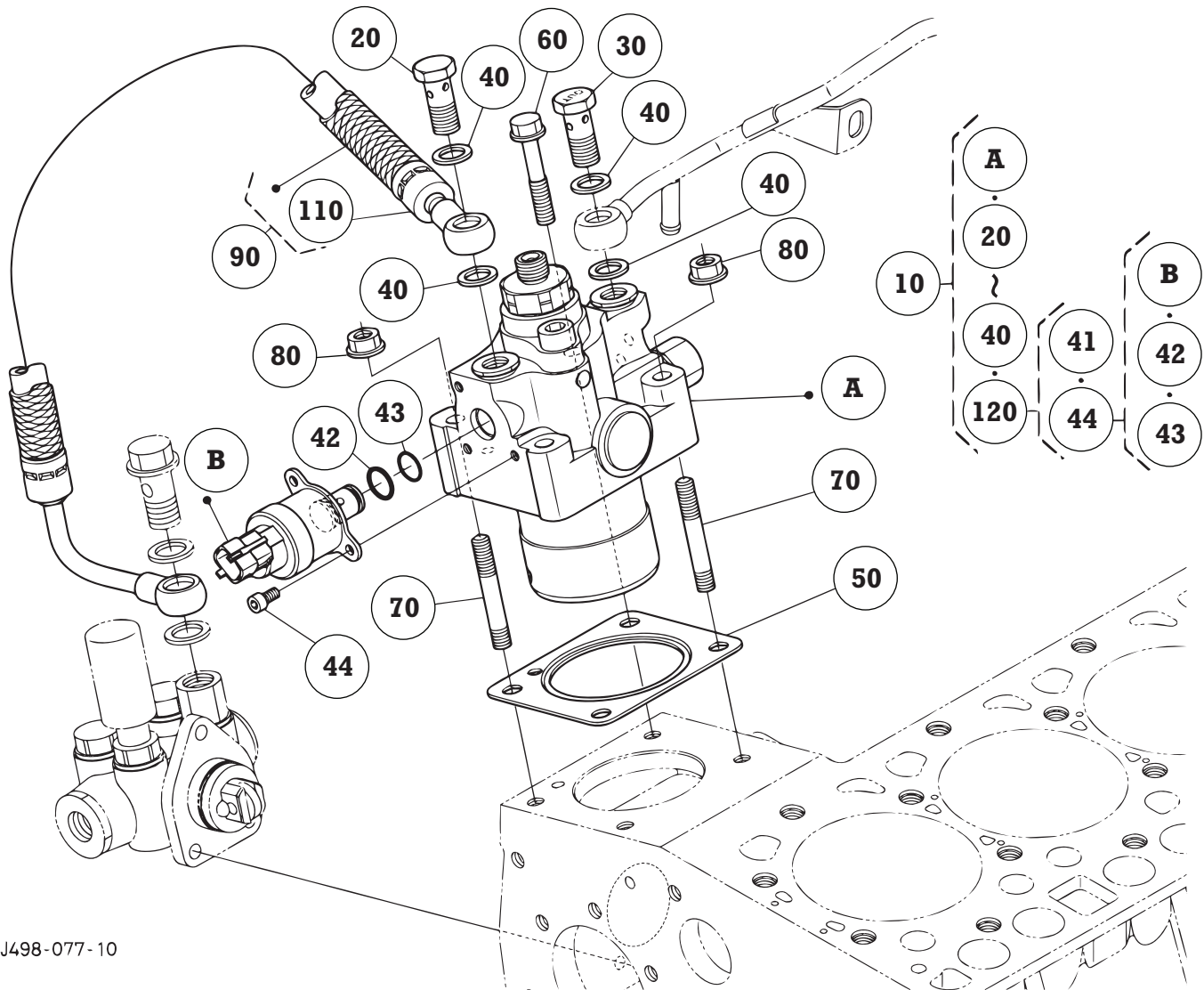


# Bright Forklift

**BC3-6560**

## FUEL CAMSHAFT (522000)

ITEM	QTY	PART NUMBER	DESCRIPTION
10	1	097-01322	ASSEMBLY CAMSHAFT, FUEL
20	1	097-01323	BEARING, BALL
30	1		GEAR
40	1		FEATHER KEY
50	1		WHEEL
60	1	097-01052	BEARING (BALL)
70	1		STOPPER, FUEL C. SHAFT
80	3		BOLT, SEMS



1J498-077-10



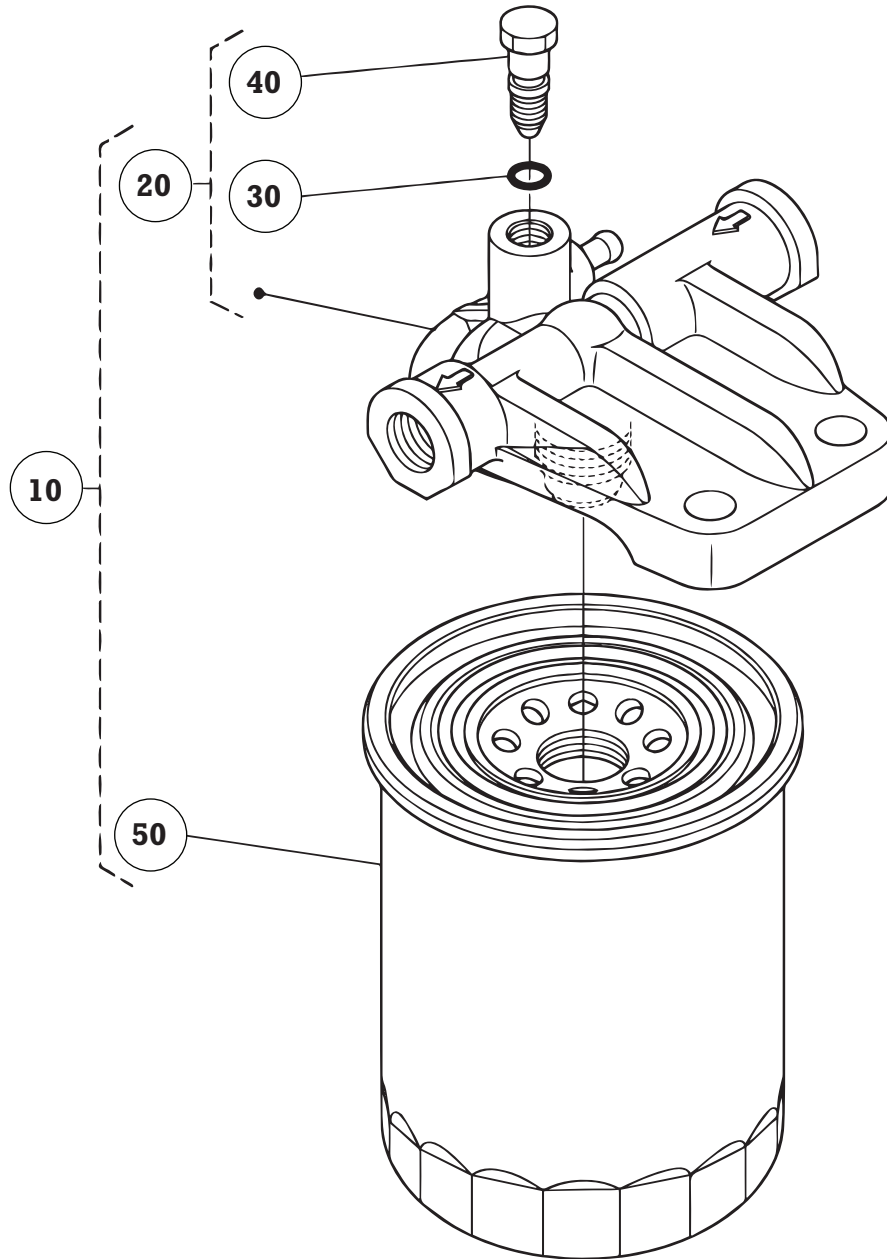
# Bright Forklift

**BC3-6560**

## SUPPLY PUMP (526500)

ITEM	QTY	PART NUMBER	DESCRIPTION
10	1	097-01130	PUMP, ASSEMBLY (SUPPLY)
20	1		BOLT, JOINT
30	1		BOLT, JOINT
40	4	097-01137	GASKET
41	1	097-01281	VALVE, ASSEMBLY (SCV)
42	1	097-01319	O-RING (SCV, 1)
43	1	097-01320	O-RING (SCV, 2)
44	3		BOLT (SCV)
50	1		GASKET, PUMP
60	2		BOLT, FLANGE
70	2		STUD
80	2		NUT, FLANGE
90	1	097-01282	HOSE, ASSEMBLY (FUEL)
110	1		HOSE, COMP (FUEL)
120	1		VALVE, KIT (SCV)

## FUEL FILTER (531000)



1J802-021-10



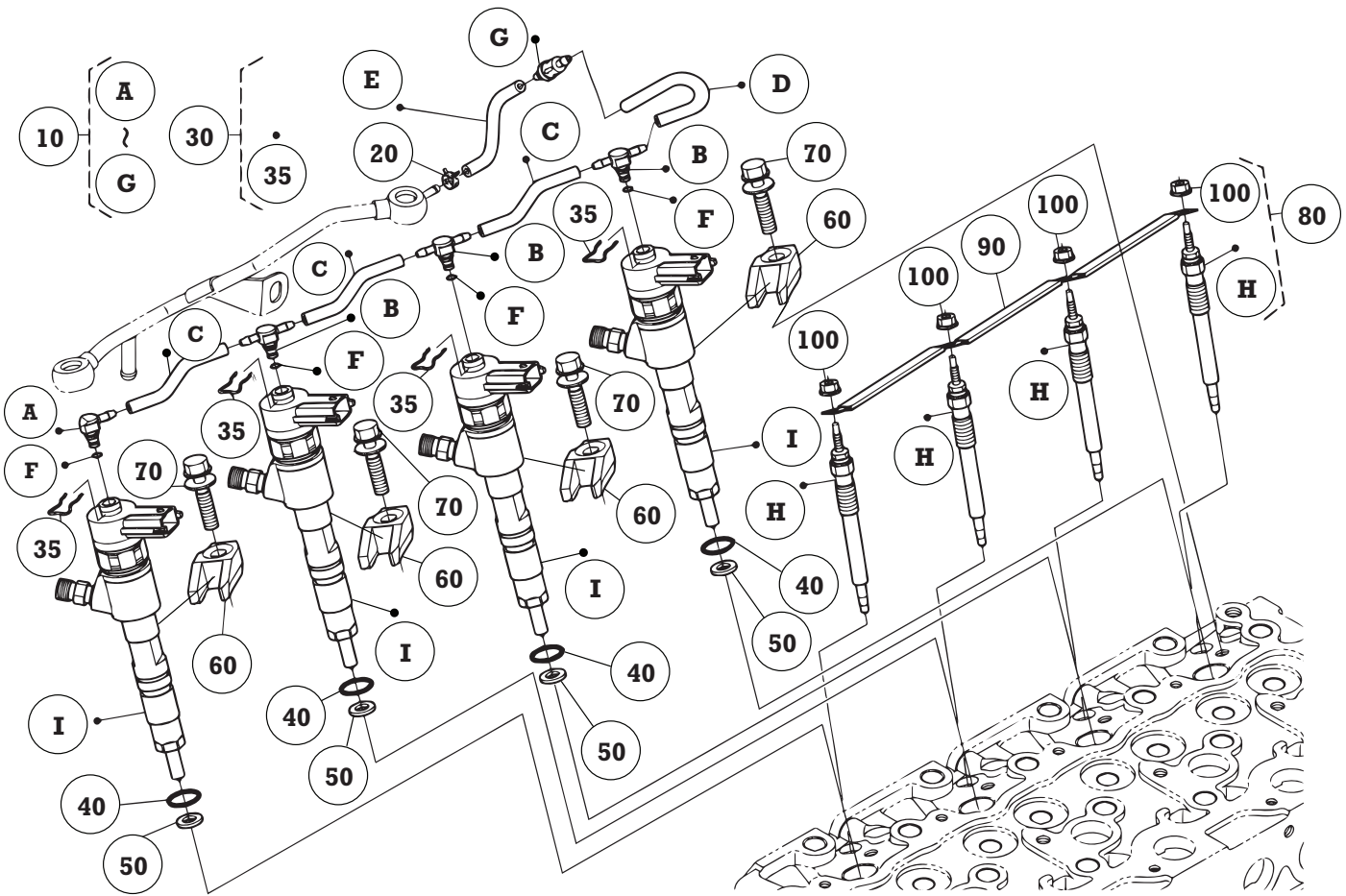


# Bright Forklift

**BC3-6560**

## FUEL FILTER (531000)

ITEM	QTY	PART NUMBER	DESCRIPTION
10	1	097-01131	FILTER, ASSEMBLY (FUEL)
20	1		BASE, FILTER
30	1		O-RING
40	1		PLUG
50	1	097-20970	FILTER (FUEL CARTRIDGE)



1J811-019-13



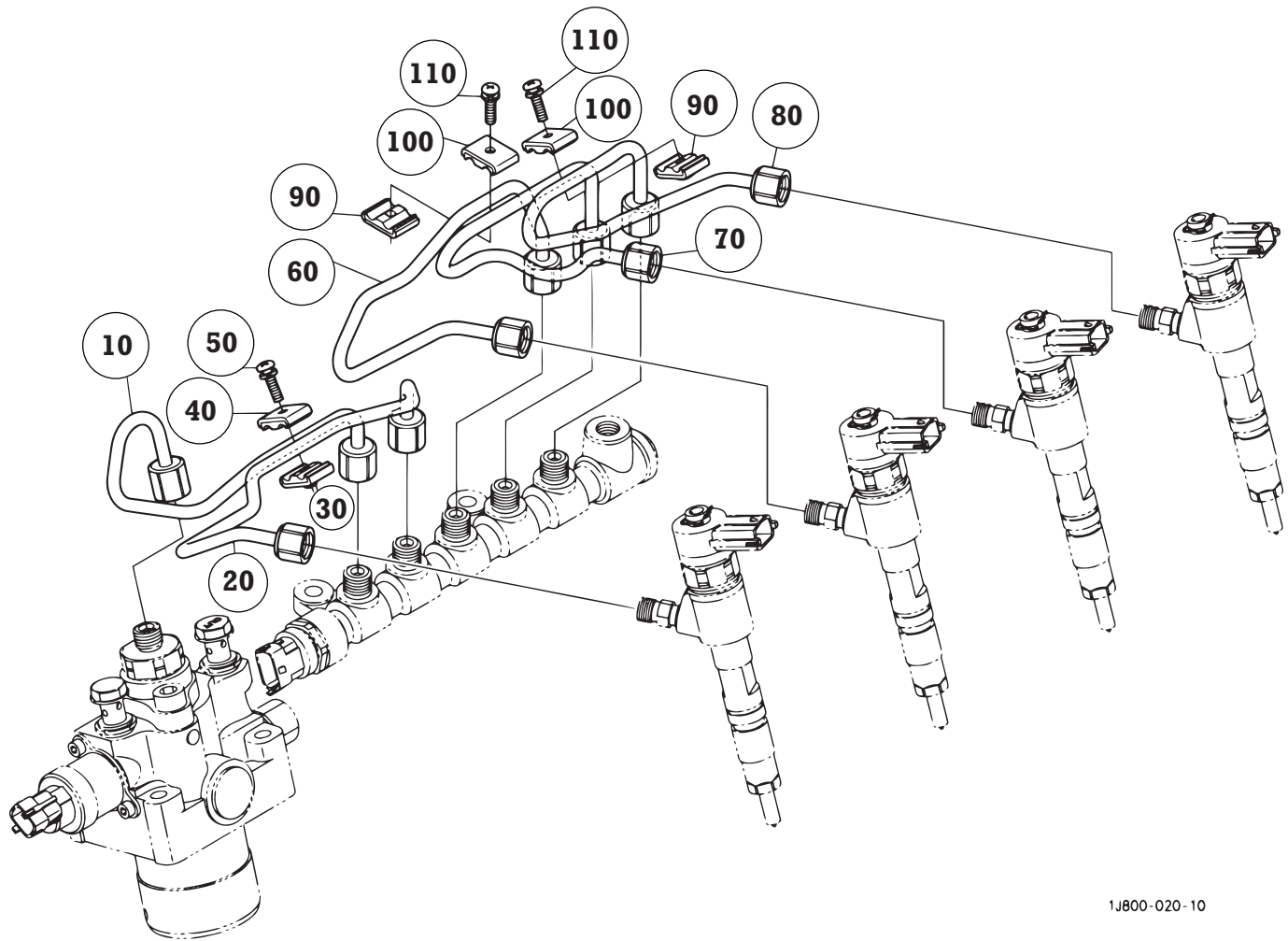
# Bright Forklift

**BC3-6560**

## INJECTOR AND GLOW PLUG (540200)

ITEM	QTY	PART NUMBER	DESCRIPTION
10	1	097-01132	TUBE, ASSEMBLY (OVER FLOW)
20	1		CLAMP, HOSE
30	4	097-01133	INJECTOR, ASSEMBLY
35	4	097-01291	CLAMP
40	4	097-01134	O-RING
50	4	097-01135	PACKING
60	4		CLAMP
70	4		BOLT, ASSEMBLY
80	4	097-01136	GLOW PLUG
90	1		CORD, GLOW PLUG
100	4		NUT, FLANGE

## INJECTION PIPE (545000)



1J800-020-10



# Bright Forklift

**BC3-6560**

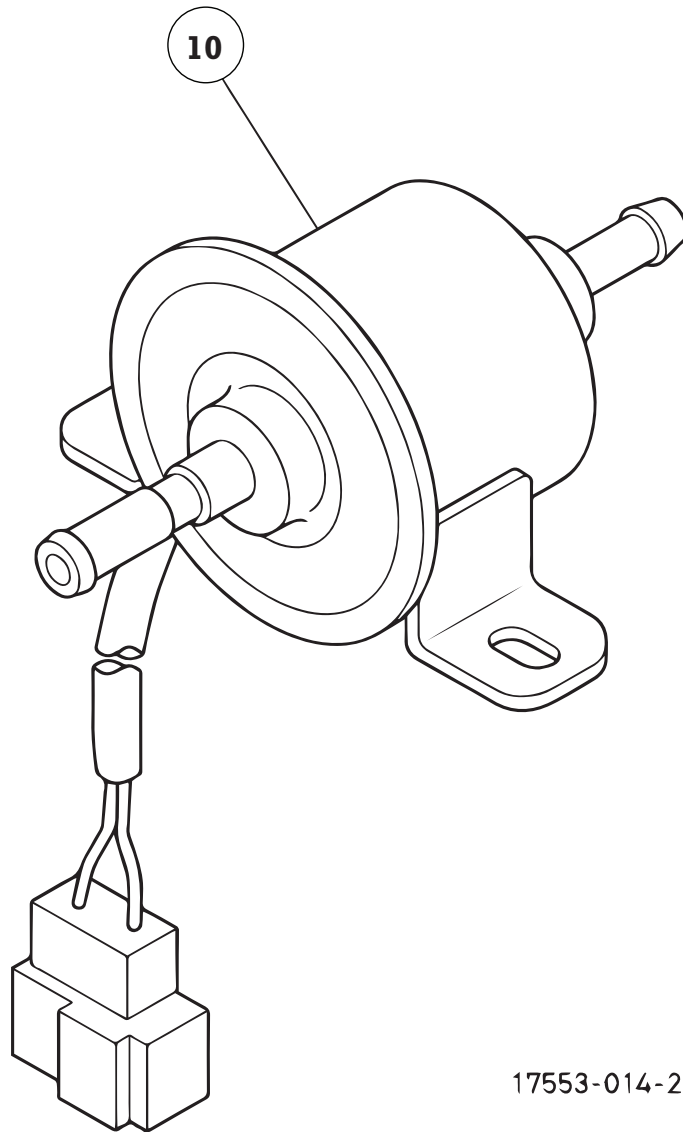
## INJECTION PIPE (545000)

ITEM	QTY	PART NUMBER	DESCRIPTION
10	1	097-01416	PIPE
20	1	097-01295	PIPE, INJECTION
30	1		CLAMP, PIPE
40	1		CLAMP, PIPE
50	1		SCREW, SEMS (PAN HEAD)
60	1	097-01296	PIPE, INJECTION
70	1	097-01297	PIPE, INJECTION
80	1	097-01298	PIPE, INJECTION
90	2		CLAMP, PIPE
100	2		CLAMP, PIPE
110	2		SCREW, SEMS (PAN HEAD)

# *Bright Forklift*

**BC3-6560**

**FUEL PUMP (ELECTRICAL) (547100)**



17553-014-22

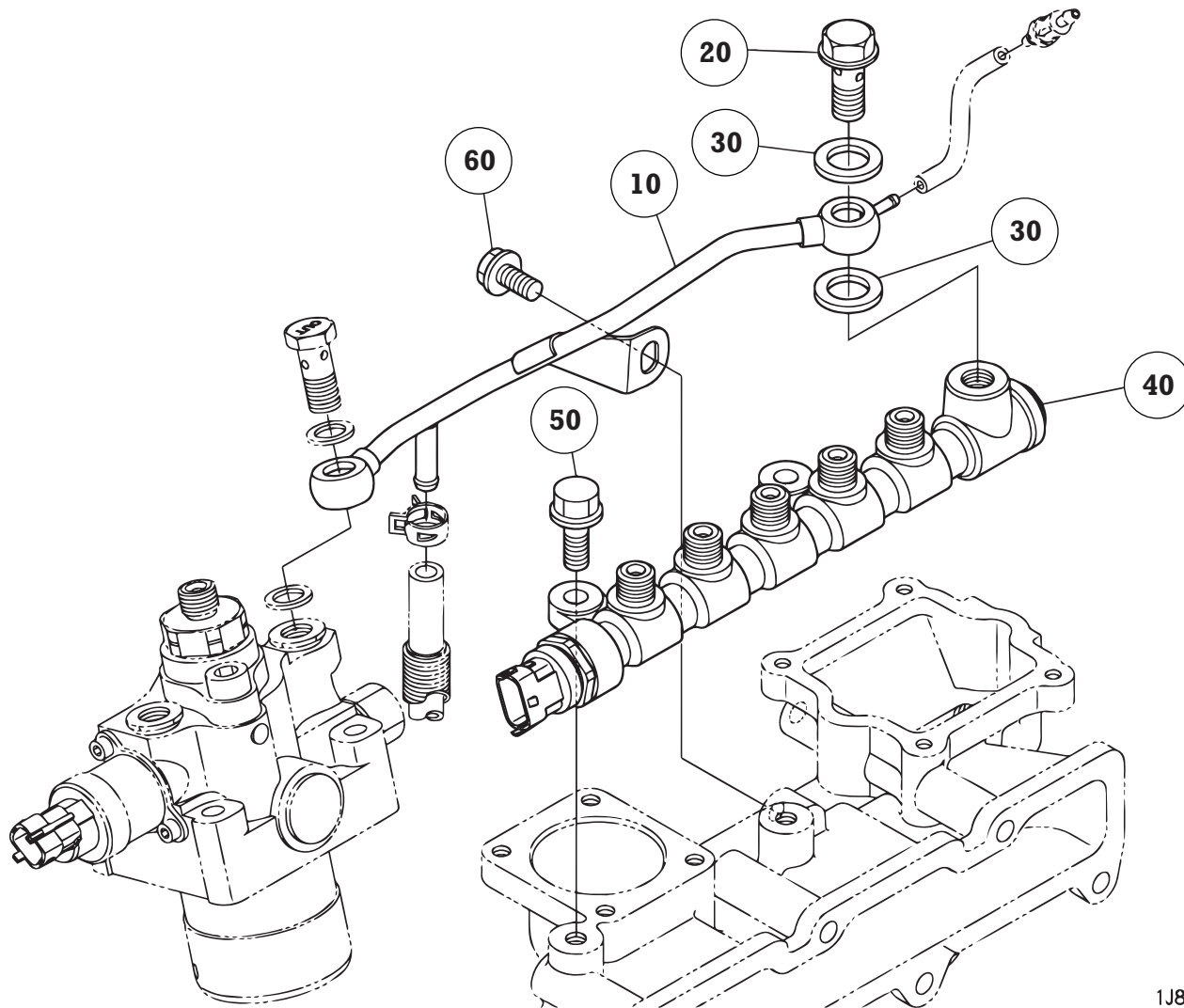


# Bright Forklift

**BC3-6560**

**FUEL PUMP (ELECTRICAL) (547100)**

ITEM	QTY	PART NUMBER	DESCRIPTION
10	1	097-20973	ASSEMBLY PUMP, FUEL



1J802-019-10





# Bright Forklift

**BC3-6560**

**COMMON RAIL (548000)**

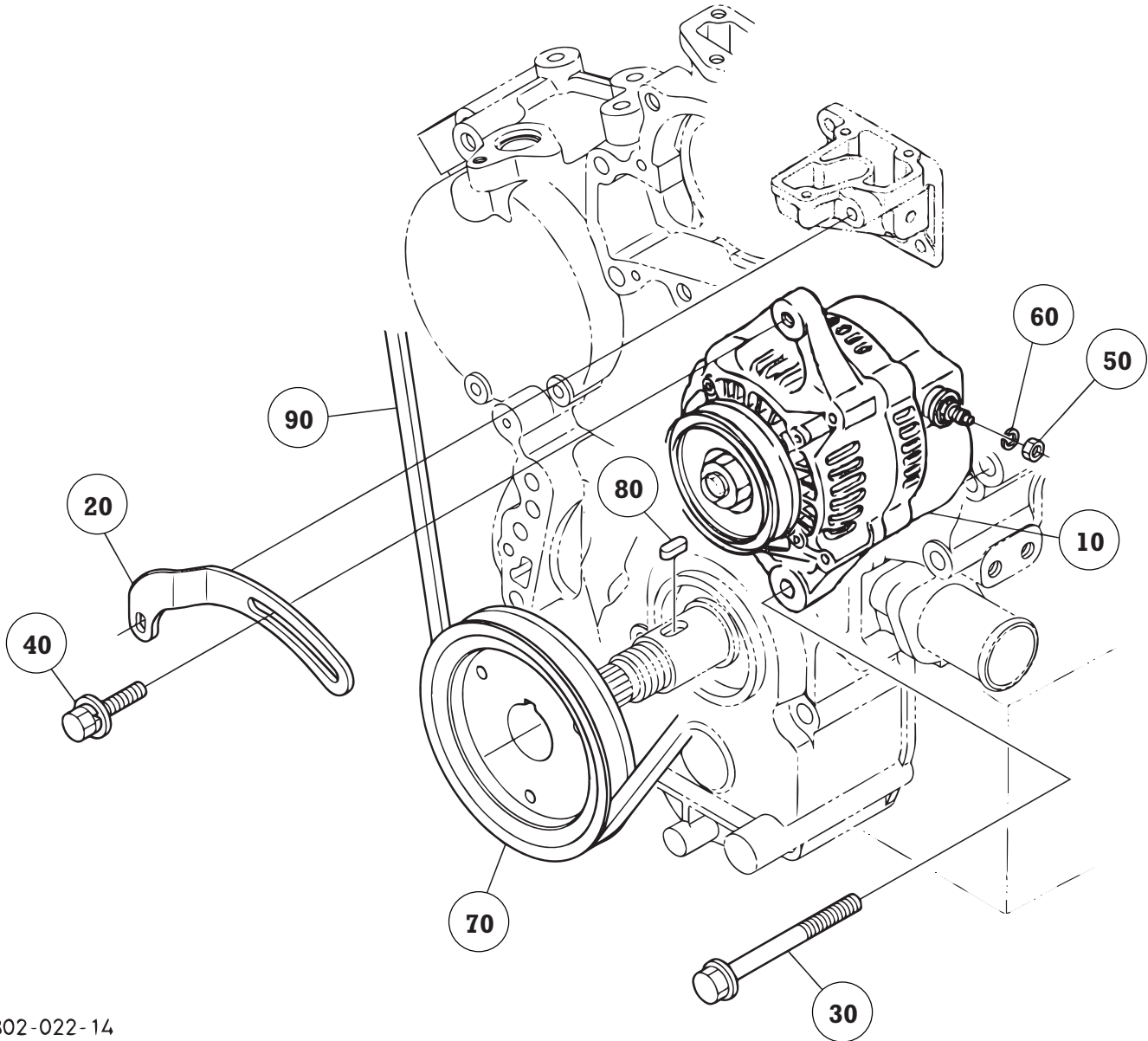
ITEM	QTY	PART NUMBER	DESCRIPTION
10	1		PIPE, COMP (WATER OVER FLOW)
20	1		BOLT, JOINT
30	2	097-01137	GASKET
40	1	097-01138	RAIL, ASSEMBLY
50	2		BOLT, FLANGE
60	1		BOLT, FLANGE



# Bright Forklift

**BC3-6560**

**ALTERNATOR AND PULLEY (550000)**



1J802-022-14



# Bright Forklift

**BC3-6560**

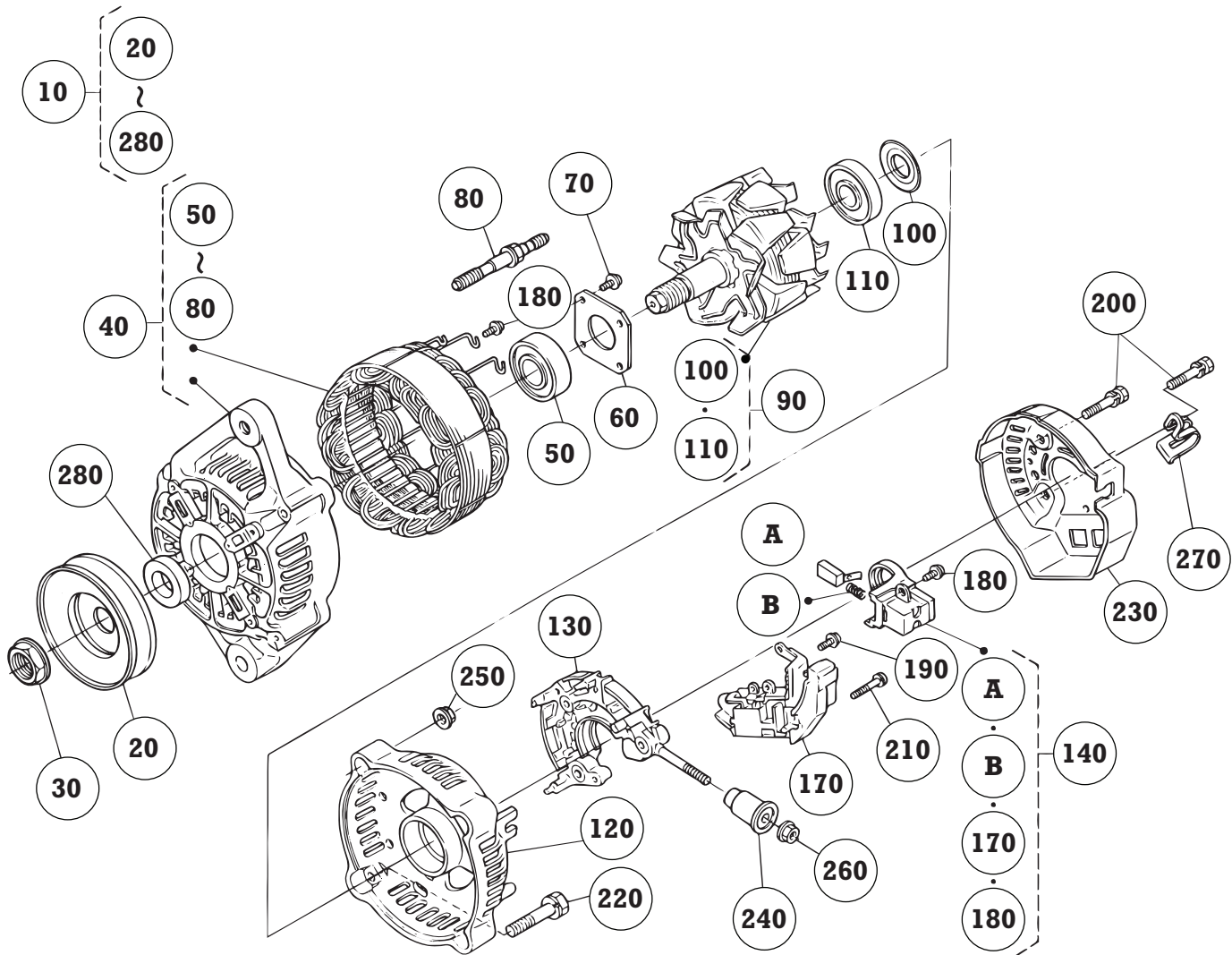
## ALTERNATOR AND PULLEY (550000)

ITEM	QTY	PART NUMBER	DESCRIPTION
10	1	097-01139	ALTERNATOR (60A), 12V 60A
20	1	097-01423	STAY, DYNAMO
30	1	097-01302	BOLT, FLANGE
40	1		BOLT, W/ SEMS (LARGE WASHER)
50	1		HEX. NUT
60	1		WASHER, SPRING LOCK
70	1	097-01303	PULLEY, FAN DRIVE
80	1		KEY, FEATHER
90	1	097-01140	BELT, FAN, 41 INCHES

# Bright Forklift

**BC3-6560**

**ALTERNATOR (COMPONENT PARTS) (551000)**



1J486-033-10



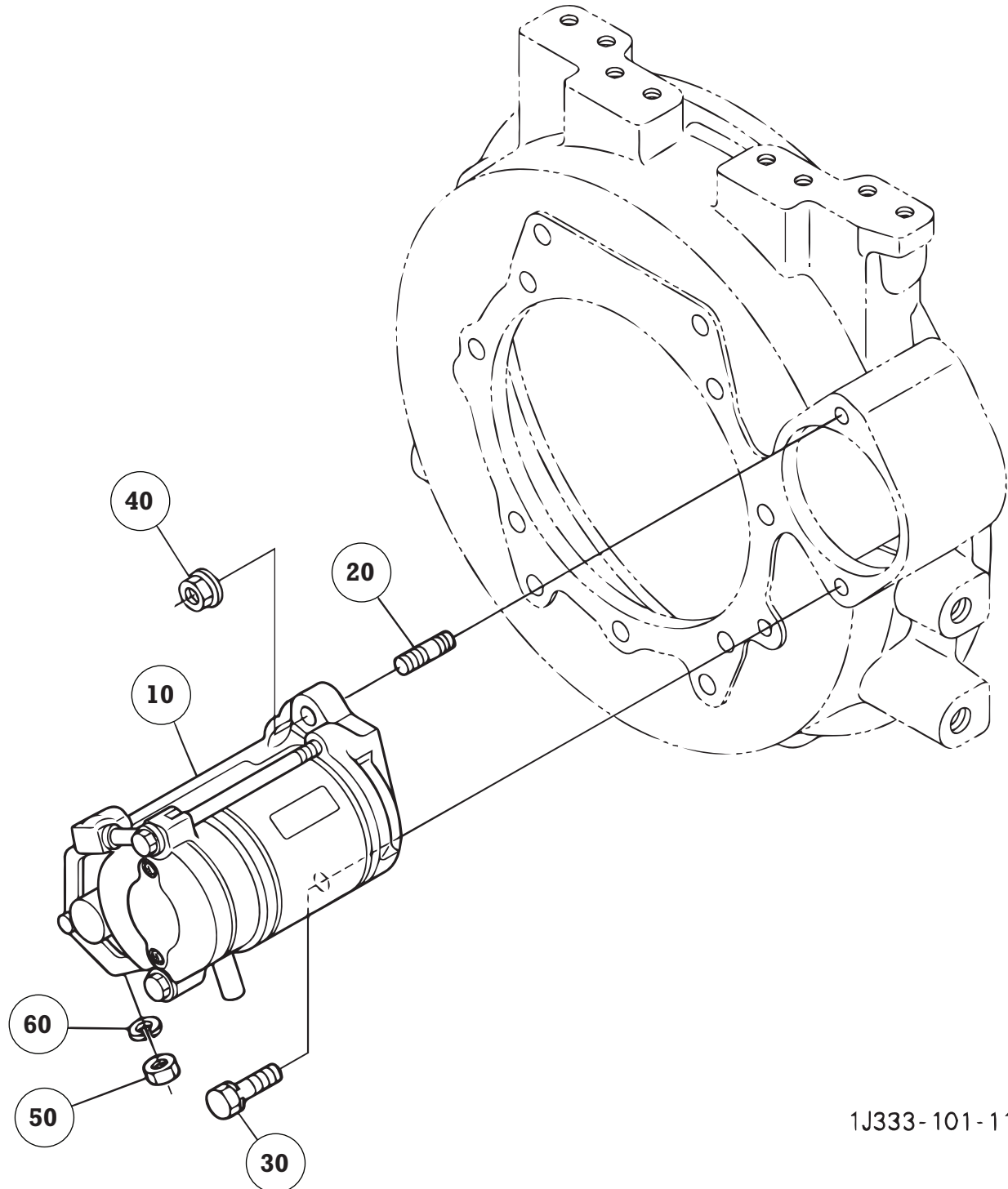
# Bright Forklift

**BC3-6560**

## ALTERNATOR (COMPONENT PARTS) (551000)

ITEM	QTY	PART NUMBER	DESCRIPTION
10	1	097-01139	ALTERNATOR (60A)
20	1		PULLEY, ALTERNATOR
30	1		NUT
40	1		FRAME, DRIVE END
50	1		BEARING BALL
60	1		PLATE, RETAINER
70	4		SCREW, ROUND HEAD
80	2		BOLT, THROUGH
90	1		ROTOR
100	1		COVER, BEARING
110	1		BEARING BALL
120	1		FRAME, END
130	1		HOLDER
140	1		HOLDER BRUSH
170	1		ASSEMBLY REGULATOR
180	6		SCREW, ROUND HEAD
190	1		SCREW, ROUND HEAD
200	3		BOLT
210	2		SCREW, ROUND HEAD
220	2		BOLT
230	1		COVER, END
240	1		BUSH, INSULATION
250	2		NUT
260	1		NUT
270	1		CLAMP CORD
280	1		COLLAR

## STARTER (554000)



1J333-101-11



# Bright Forklift

**BC3-6560**

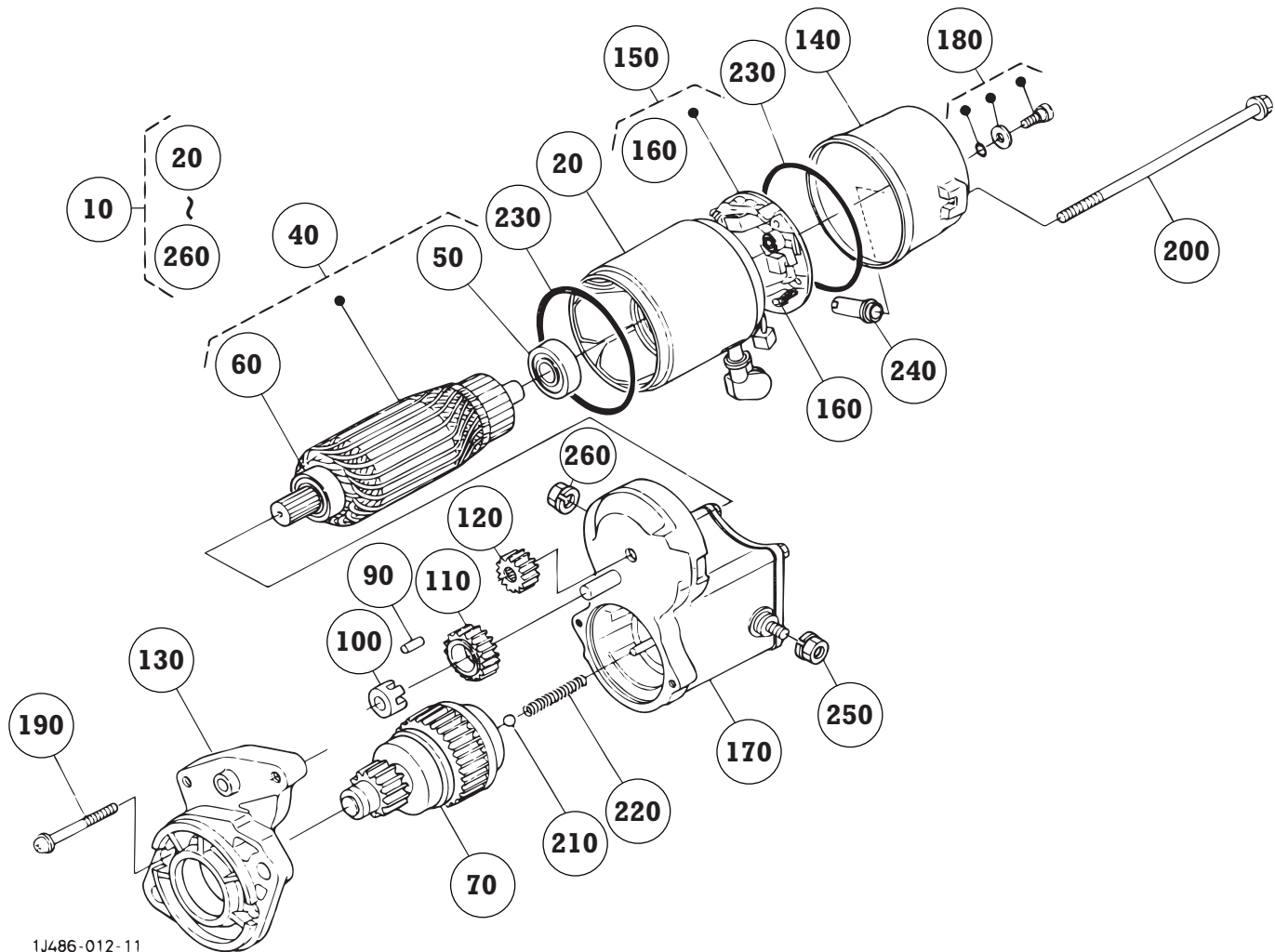
**STARTER (554000)**

ITEM	QTY	PART NUMBER	DESCRIPTION
10	1	097-01141	ASSEMBLY, STARTER, 12V 2.0KW
20	1		BOLT, STUD
30	1		BOLT, SEMS
40	1		NUT, FLANGE
50	1		HEX. NUT
60	1		WASHER, SPRING LOCK

# Bright Forklift

**BC3-6560**

**STARTER (COMPONENT PARTS) (555000)**



1J486-012-11





# Bright Forklift

**BC3-6560**

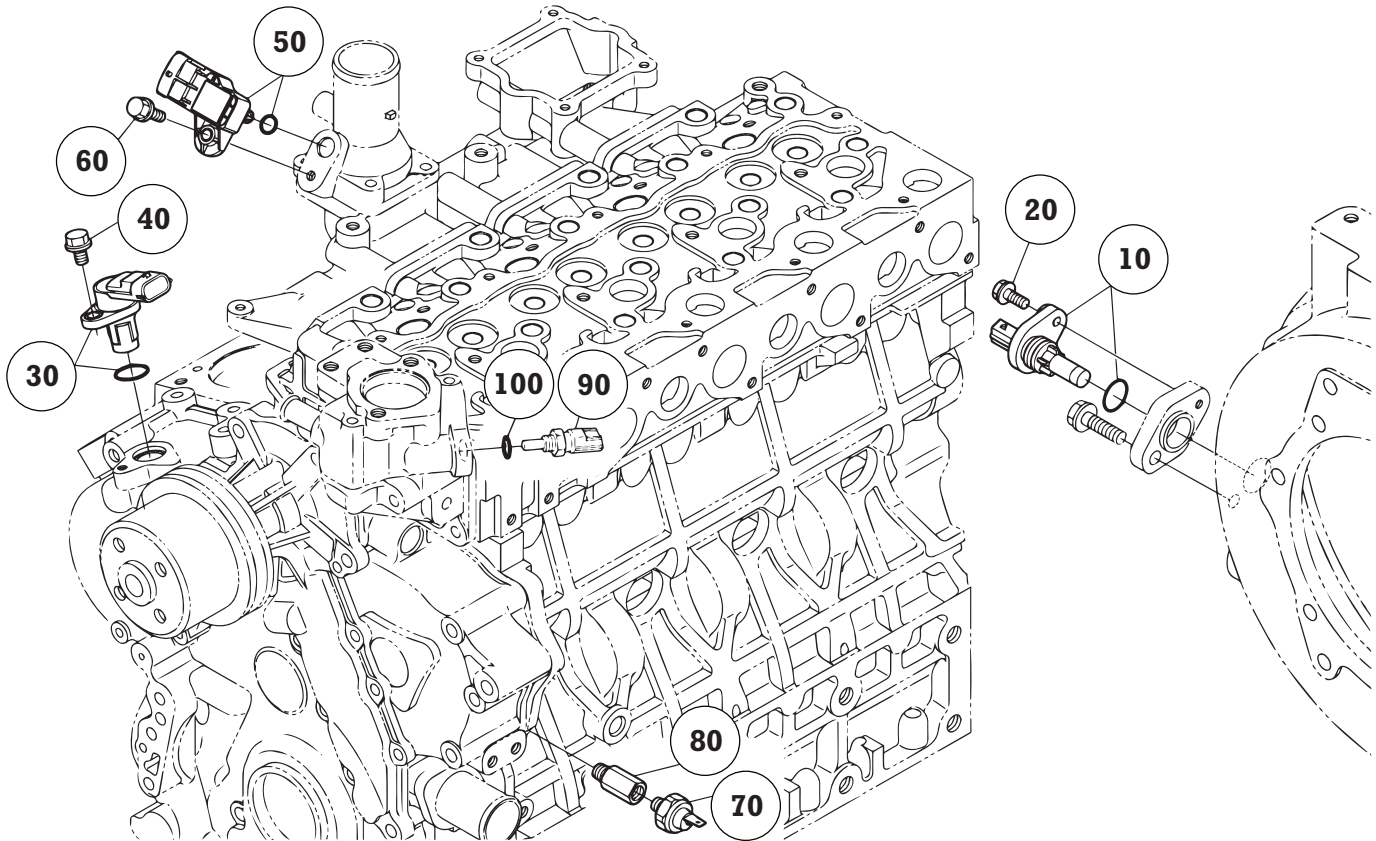
**STARTER (COMPONENT PARTS) (555000)**

ITEM	QTY	PART NUMBER	DESCRIPTION
10	1	097-01141	ASSEMBLY STARTER
20	1		YOKE
40	1		ARMATURE
50	1		BEARING
60	1		BEARING
70	1		CLUTCH (OVER RUNNING)
90	5		ROLLER
100	1		RETAINER
110	1		GEAR
120	1		GEAR
130	1		FRAME, DRIVE END
140	1		FRAME, END
150	1		HOLDER, BRUSH
160	4		SPRING
170	1		ASSEMBLY SWITCH, MAGNETIC
180	2		SCREW
190	2		SCREW
200	2		BOLT, THROUGH
210	1		BALL
220	1		SPRING
230	2		O-RING
240	1		PIPE, DRAIN
250	1		NUT, HEXAGON
260	1		NUT, HEXAGON

# Bright Forklift

**BC3-6560**

**OIL SWITCH AND THERMOMETER (556000)**



1J498-048-10



# Bright Forklift

**BC3-6560**

**OIL SWITCH AND THERMOMETER (556000)**

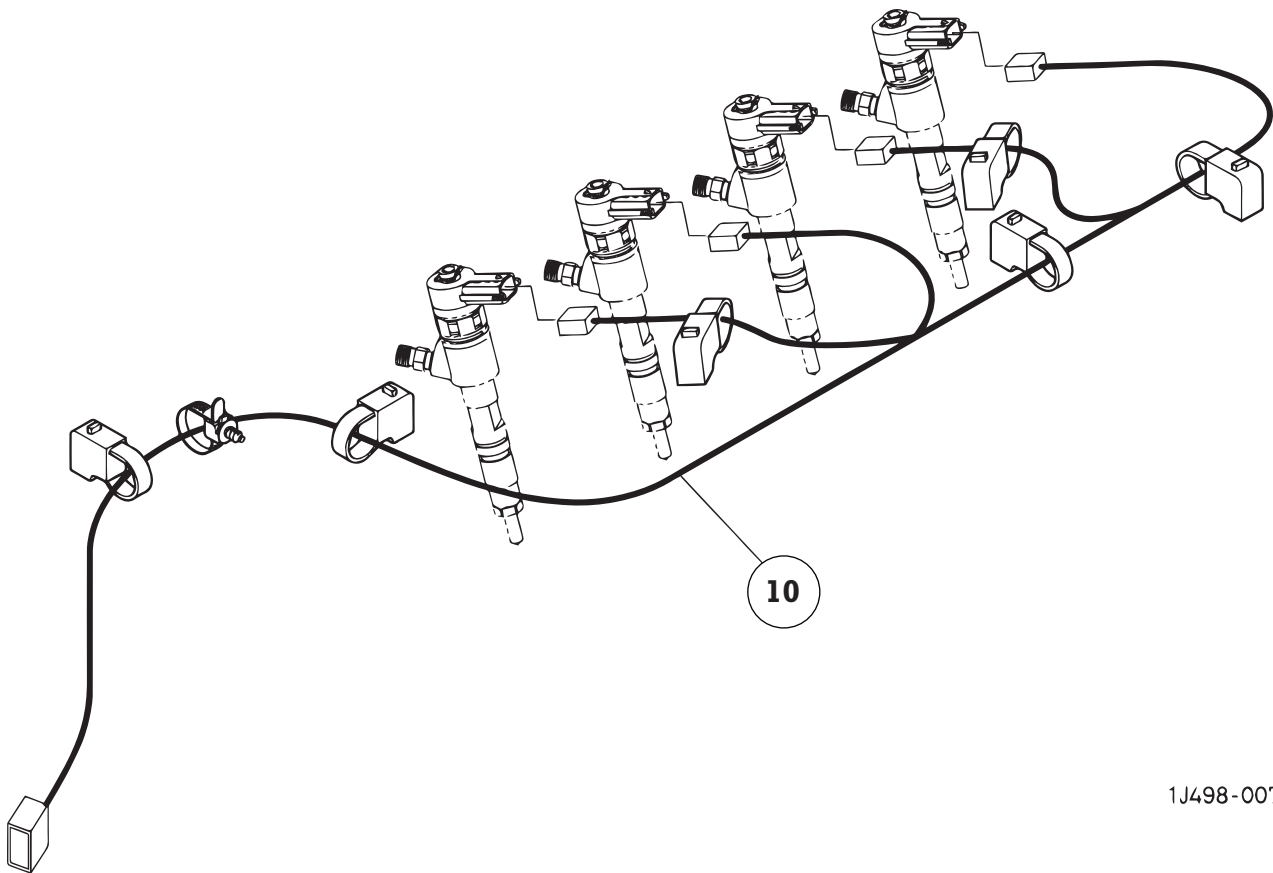
ITEM	QTY	PART NUMBER	DESCRIPTION
10	1	097-01142	SENSOR
20	1		BOLT, FLANGE
30	1	097-01143	SENSOR
40	1		BOLT, FLANGE
50	1	097-01144	SENSOR, BOOST
60	1		BOLT, FLANGE
70	1	097-01145	SWITCH, OIL
80	1		ADAPTER (SWITCH, OIL)
90	1	097-01146	SENSOR, WATER TEMPERATURE
100	1	097-01147	O-RING



# Bright Forklift

**BC3-6560**

**INJECTOR HARNESS (557500)**



1J498-007-10



# Bright Forklift

**BC3-6560**

**INJECTOR HARNESS (557500)**

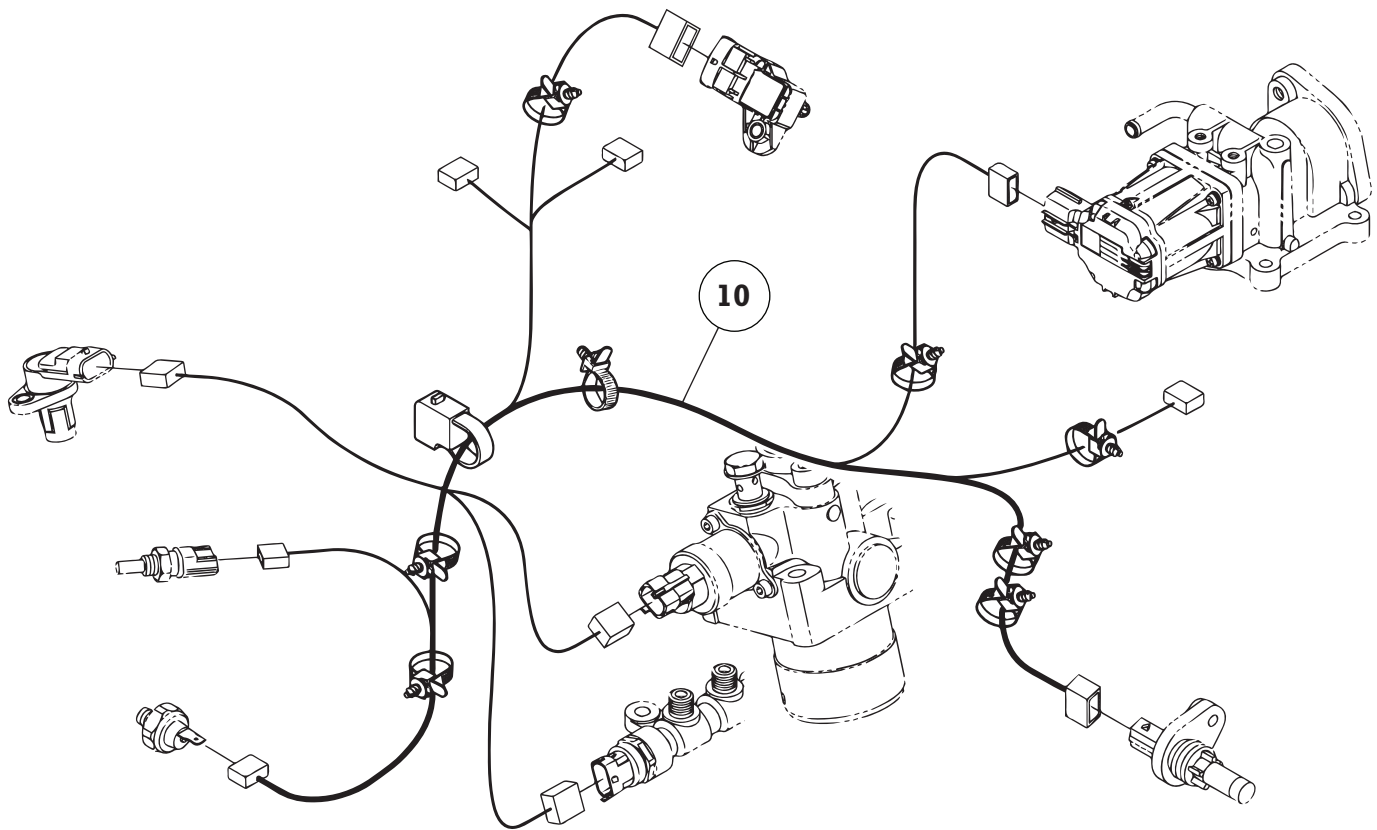
ITEM	QTY	PART NUMBER	DESCRIPTION
10	1	097-01148	HARNESS, WIRE, ASSEMBLY



# Bright Forklift

**BC3-6560**

**WIRE HARNESS (558000)**



1J498-008-11



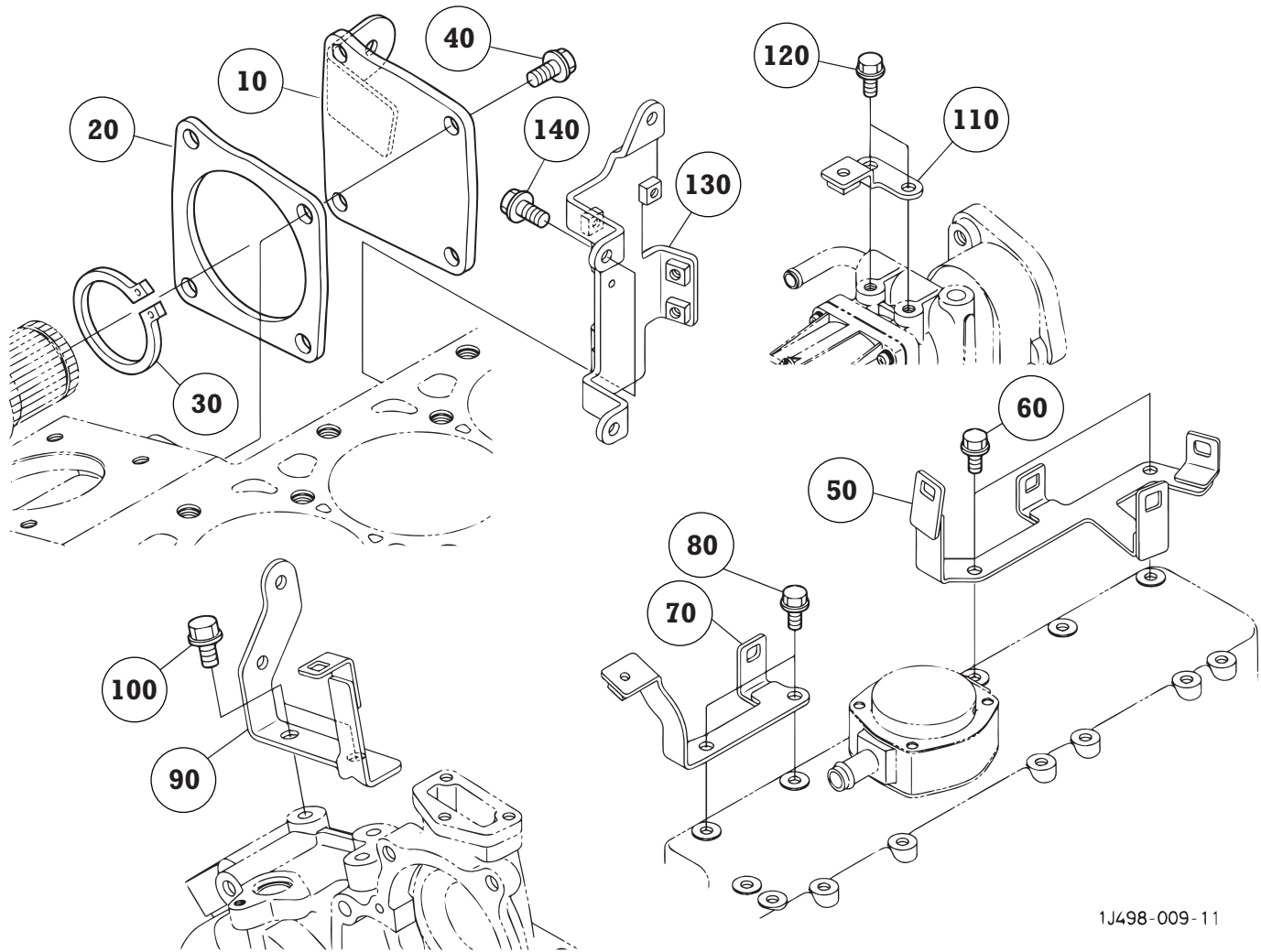
# Bright Forklift

**BC3-6560**

**WIRE HARNESS (558000)**

ITEM	QTY	PART NUMBER	DESCRIPTION
10	1	097-01149	HARNESS, WIRE, ASSEMBLY (ENGINE)

## WIRE HARNESS BRACKET (558500)



1J498-009-11





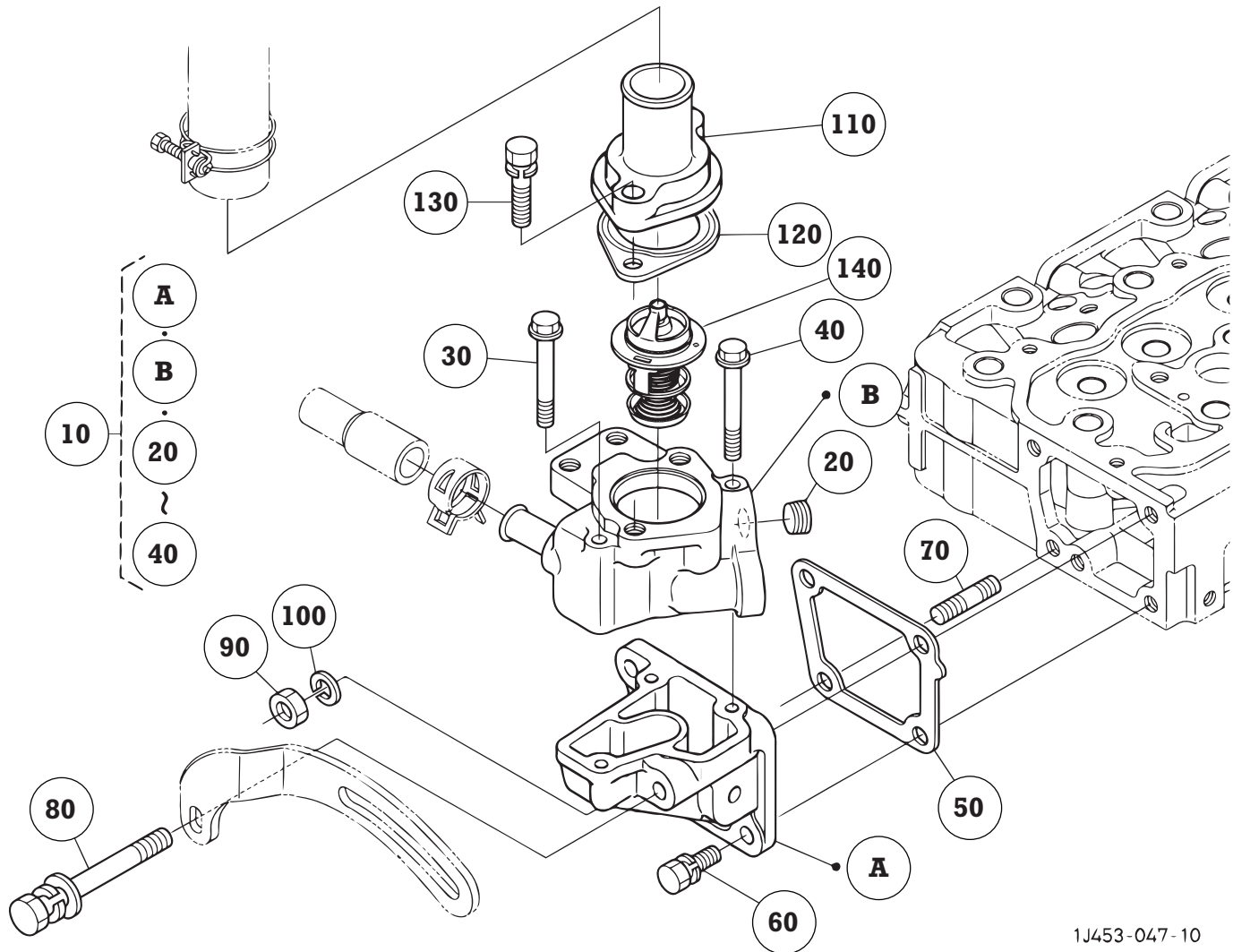
# Bright Forklift

**BC3-6560**

## WIRE HARNESS BRACKET (558500)

ITEM	QTY	PART NUMBER	DESCRIPTION
10	1		COVER (FUEL CAMSHAFT)
20	1		GASKET
30	1		CIR-CLIP, EXTERNAL
40	4		BOLT, FLANGE
50	1		BRACKET (HARNESS)
60	2		BOLT, FLANGE
70	1		BRACKET (WIRE HARNESS, 2)
80	2		BOLT, FLANGE
90	1		BRACKET (WIRE HARNESS, 3)
100	2		BOLT, FLANGE
110	1		BRACKET (WIRE HARNESS, 4)
120	2		BOLT, FLANGE
130	1		BRACKET (CONNECTOR)
140	3		BOLT, FLANGE

### WATER FLANGE AND THERMOSTAT (560000)



1J453-047-10



# Bright Forklift

**BC3-6560**

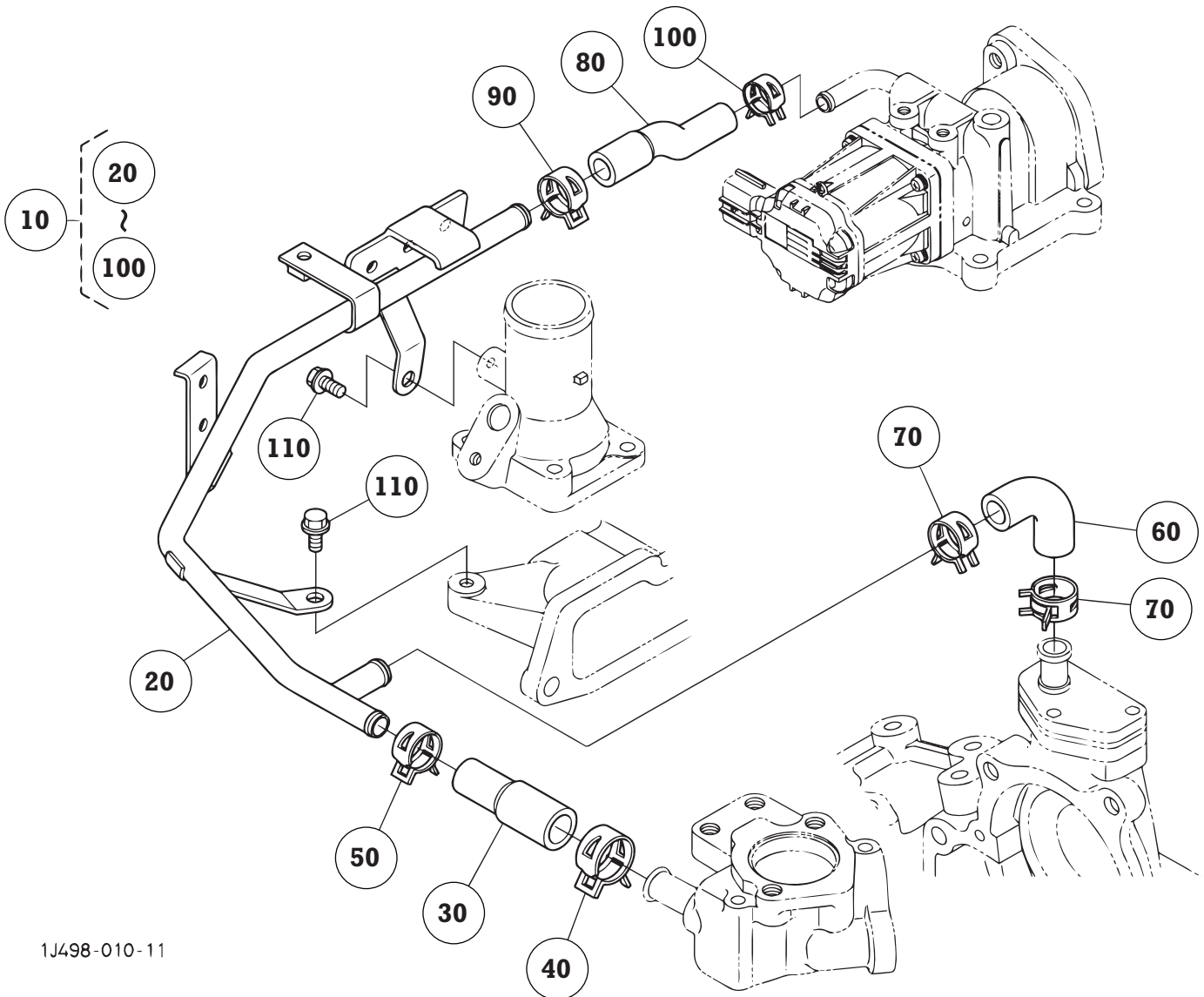
## WATER FLANGE AND THERMOSTAT (560000)

ITEM	QTY	PART NUMBER	DESCRIPTION
10	1		FLANGE, WATER, COMPLETE
20	1		PLUG
30	2		BOLT, FLANGE
40	1		BOLT, FLANGE
50	1		GASKET (FLANGE, WATER)
60	2		BOLT, SEMS
70	1		BOLT, STUD
80	1		BOLT
90	1		HEX. NUT
100	1		WASHER, SPRING LOCK
110	1		COVER (THERMOSTAT)
120	1	097-00438	GASKET, THERMOSTAT
130	2		BOLT, SEMS
140	1	097-01150	ASSEMBLY THERMOSTAT

# Bright Forklift

**BC3-6560**

**WATER PIPE (560200)**



1J498-010-11



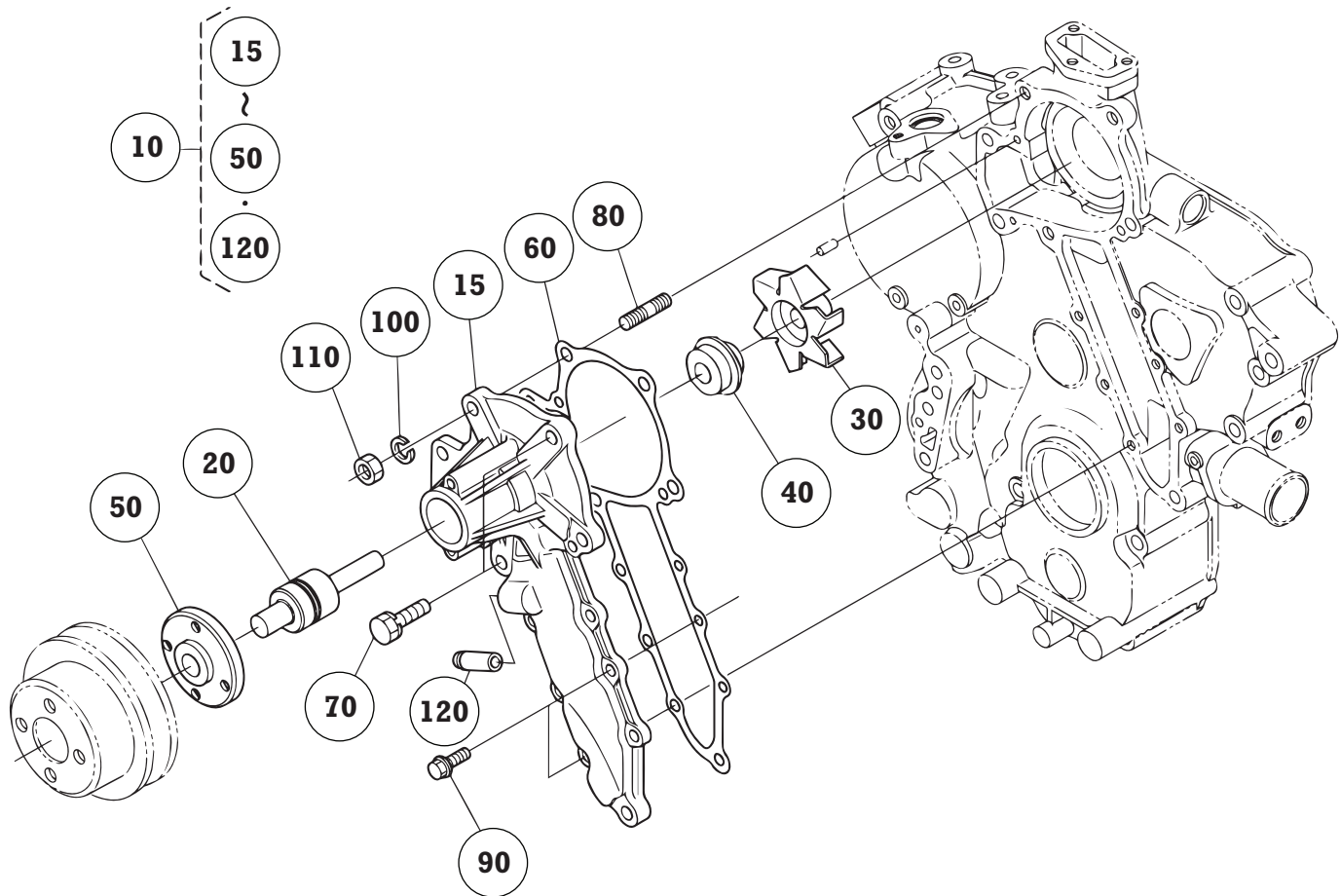
# Bright Forklift

**BC3-6560**

## WATER PIPE (560200)

ITEM	QTY	PART NUMBER	DESCRIPTION
10	1		PIPE, ASSEMBLY (WATER RETURN)
20	1		PIPE, COMP (WATER RETURN, 2)
30	1		HOSE (WATER RETURN, 2-1)
40	1		CLAMP, HOSE
50	1		CLAMP, HOSE
60	1		HOSE (WATER RETURN, 2-2)
70	2		BAND, HOSE
80	1		HOSE
90	1		CLAMP, HOSE
100	1		CLAMP, HOSE
110	2		BOLT, FLANGE

### WATER PUMP (561000)



1J333-137-11



# Bright Forklift

**BC3-6560**

## WATER PUMP (561000)

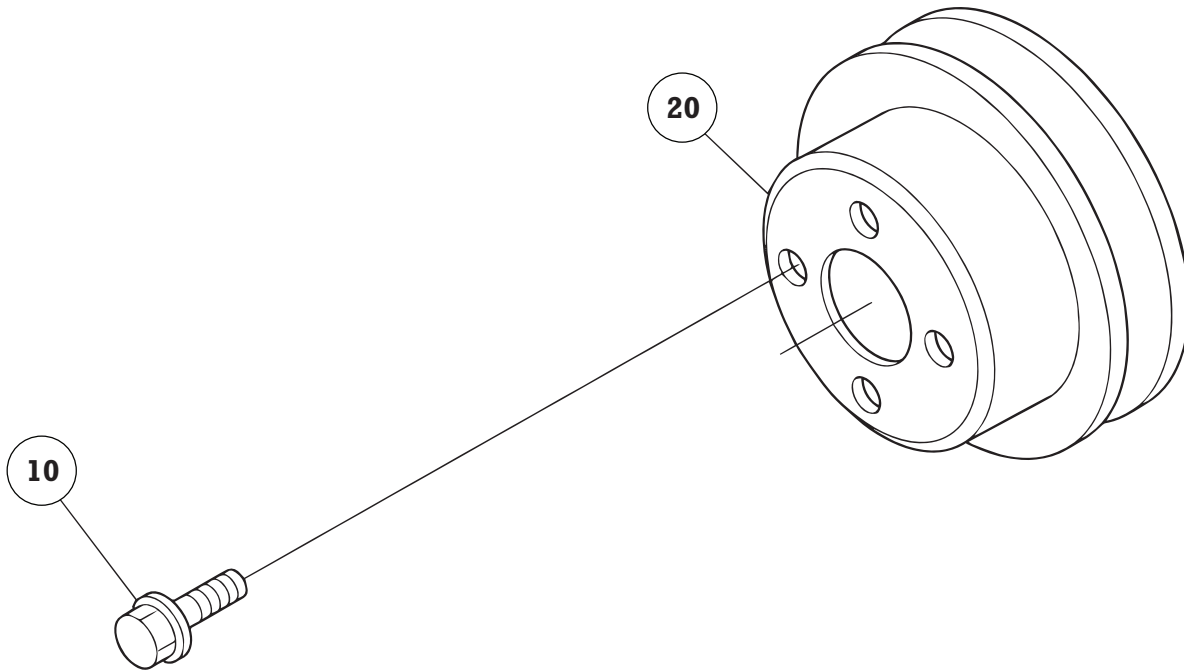
ITEM	QTY	PART NUMBER	DESCRIPTION
10	1	097-01151	ASSEMBLY PUMP, WATER
15	1		BODY, WATER PUMP
20	1		BEARING
30	1		IMPELLER
40	1		ASSEMBLY SEAL, MECHANICAL
50	1		FLANGE (WATERPUMP SHAFT)
60	1	097-00447	GASKET, WATER PUMP
70	2		BOLT, SEMS
80	1		BOLT, STUD
90	6		BOLT, FLANGE
100	1		WASHER, SPRING LOCK
110	1		HEX. NUT
120	1		PIPE, WATER RETURN



# Bright Forklift

**BC3-6560**

**FAN PULLEY (567100)**



1J403-017-10





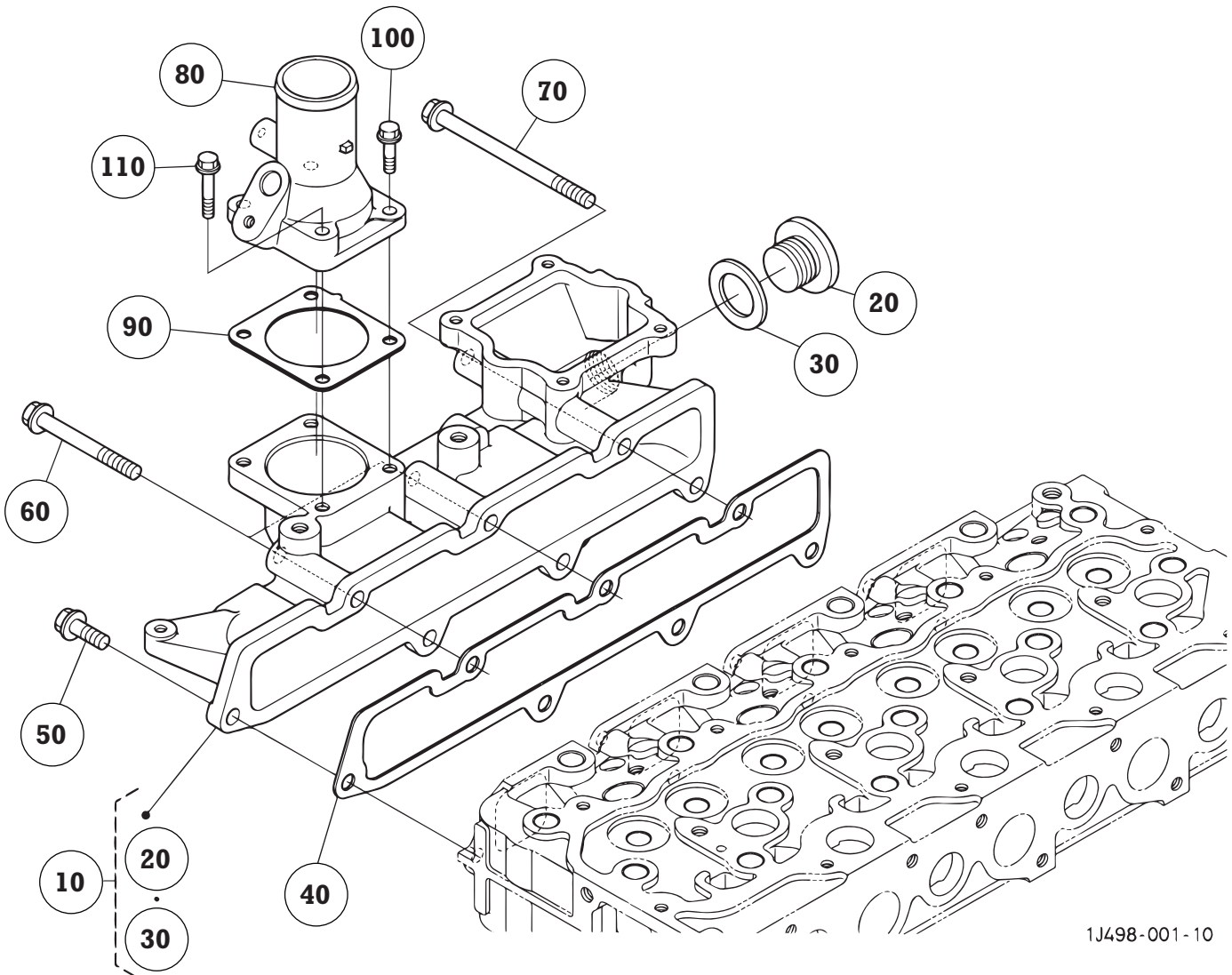
# Bright Forklift

**BC3-6560**

**FAN PULLEY (567100)**

ITEM	QTY	PART NUMBER	DESCRIPTION
10	4	850-01050	BOLT, FLANGE - WITH FAN SPACER
20	1	097-01317	PULLEY, FAN

## INLET MANIFOLD (571000)



1J498-001-10



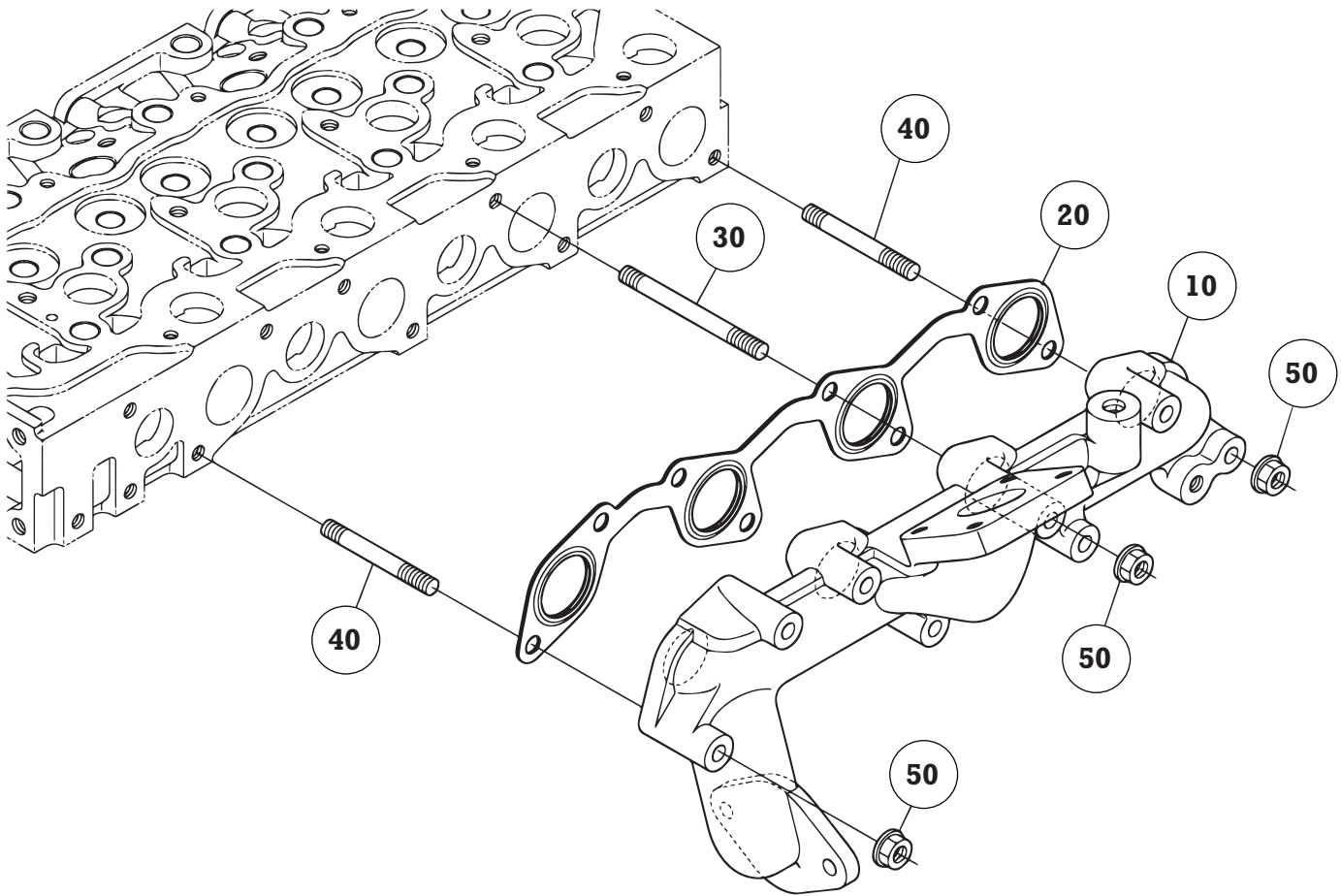
# Bright Forklift

**BC3-6560**

## INLET MANIFOLD (571000)

ITEM	QTY	PART NUMBER	DESCRIPTION
10	1		ASSEMBLY MANIFOLD, INLET
20	1		PLUG
30	1		GASKET
40	1	097-01152	GASKET, IN-MANIFOLD
50	4		BOLT, FLANGE
60	2		BOLT, FLANGE
70	1		BOLT, FLANGE
80	1		FLANGE, INLET
90	1		GASKET (INLET FLANGE)
100	3		BOLT, FLANGE
110	1		BOLT, FLANGE

## EXHAUST MANIFOLD (572000)



1J802-016-10



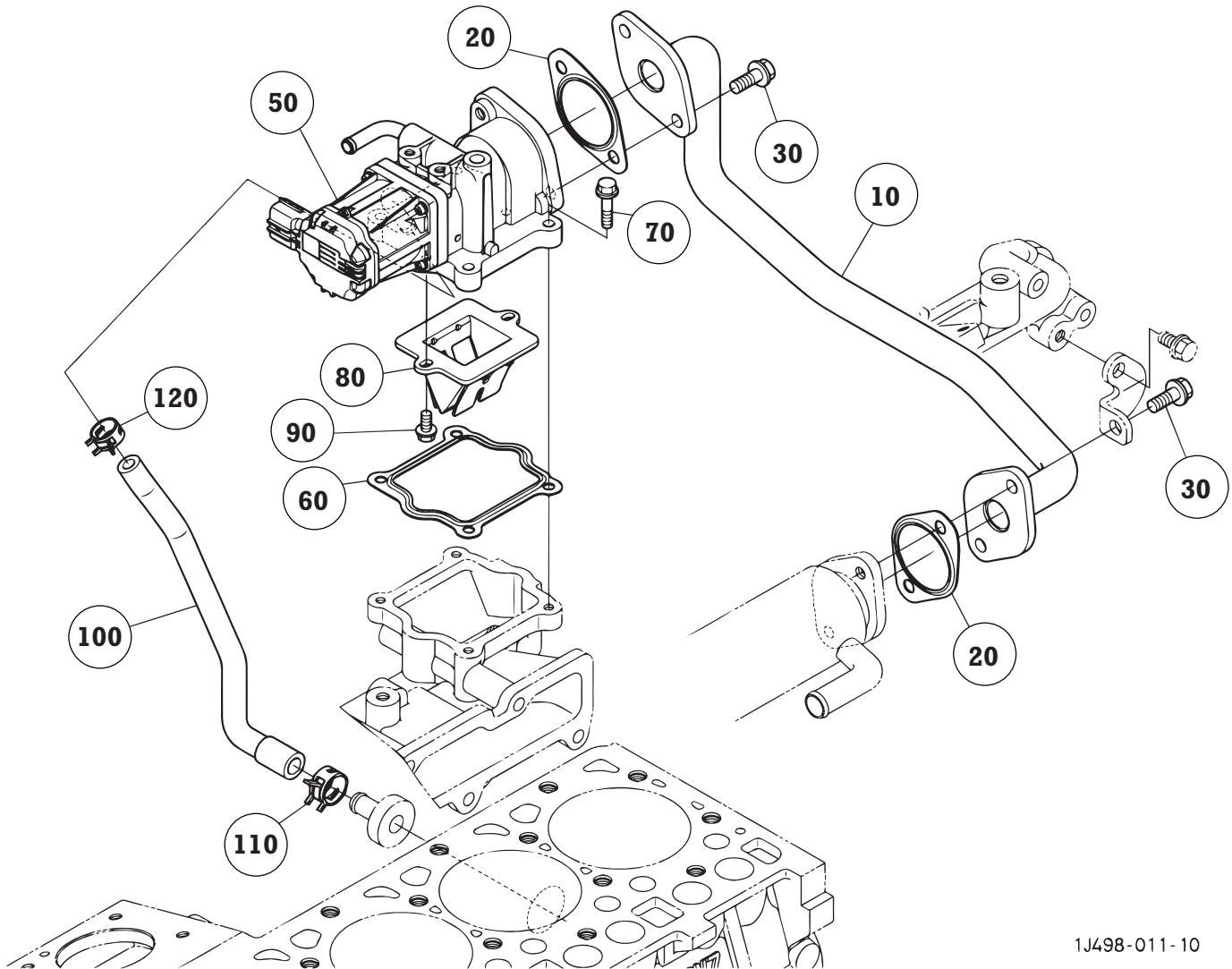
# Bright Forklift

**BC3-6560**

## EXHAUST MANIFOLD (572000)

ITEM	QTY	PART NUMBER	DESCRIPTION
10	1	097-01153	MANIFOLD (EXHAUST)
20	1	097-01175	GASKET, EXHAUST-MANIFOLD
30	1	097-01154	STUD
40	7	097-01155	STUD (M8X55)
50	8	097-01156	NUT, FLANGE

### EGR VALVE (572200)



1J498-011-10



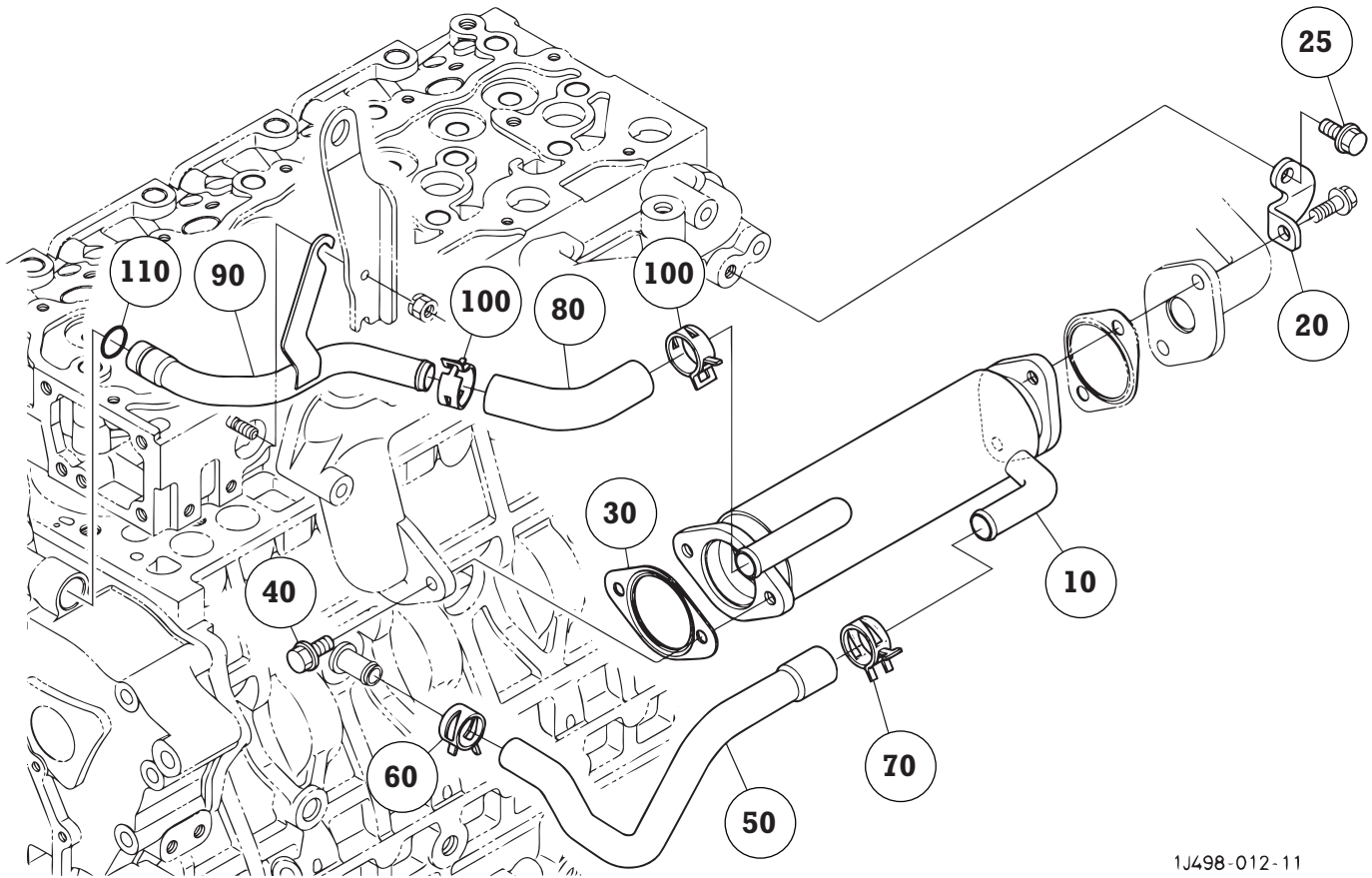
# Bright Forklift

**BC3-6560**

## EGR VALVE (572200)

ITEM	QTY	PART NUMBER	DESCRIPTION
10	1		PIPE, COMP
20	2	097-01157	GASKET, EGR COOLER
30	4		BOLT, FLANGE
50	1	097-01158	VALVE, ASSEMBLY (EGR)
60	1	097-01159	GASKET, EGR VALVE
70	4		BOLT, FLANGE
80	1	097-01160	VALVE, LEAD
90	2		BOLT, FLANGE
100	1		HOSE
110	1		BAND, HOSE
120	1		CLAMP, HOSE

## EGR COOLER (572300)



1J498-012-11





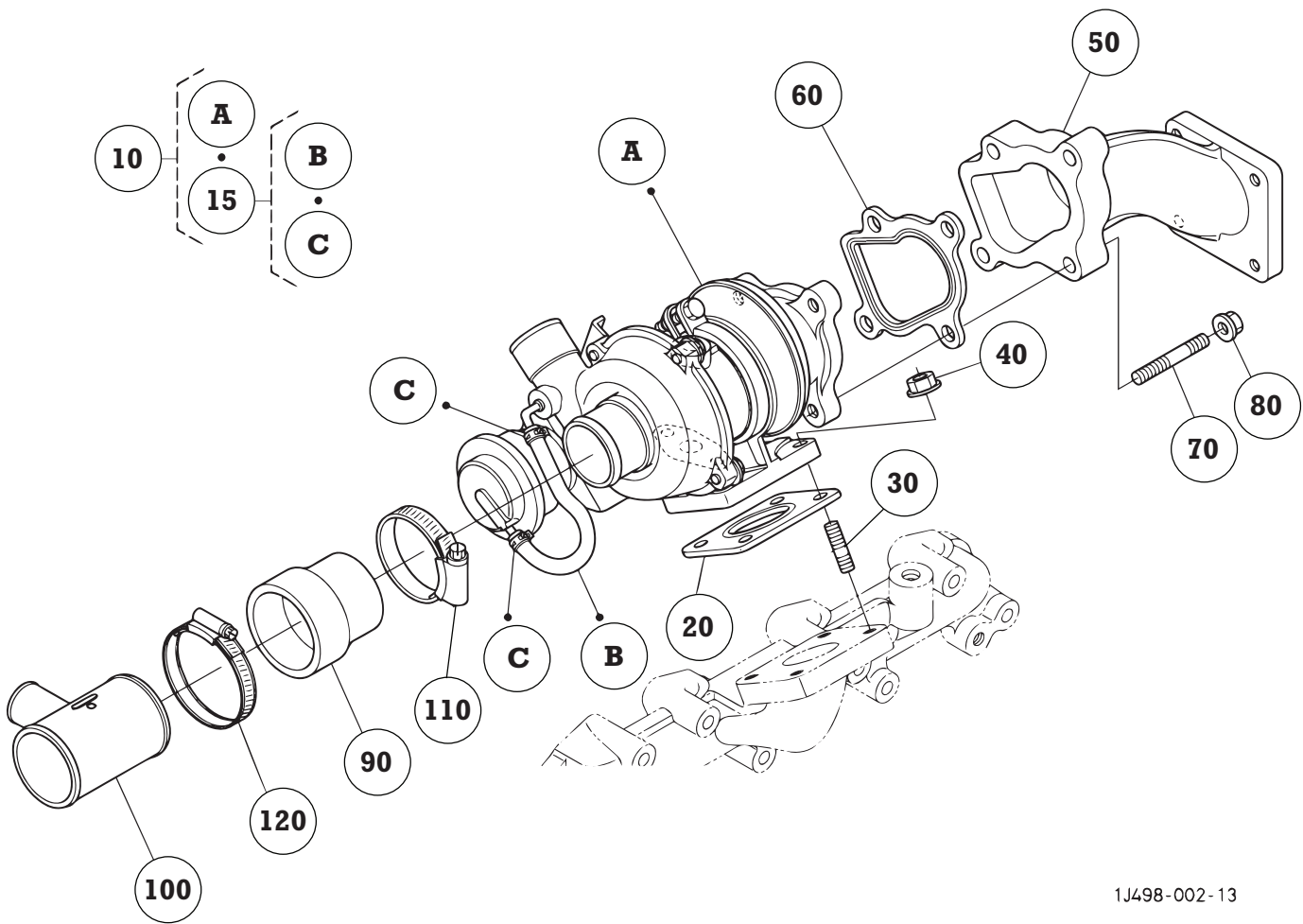
# Bright Forklift

**BC3-6560**

## EGR COOLER (572300)

ITEM	QTY	PART NUMBER	DESCRIPTION
10	1	097-01161	COOLER, COMPLETE (EGR)
20	1		STAY (EGR COOLER)
25	1		BOLT, FLANGE
30	1	097-01157	GASKET, EGR COOLER
40	2		BOLT, FLANGE
50	1		HOSE (EGR-C, 1)
60	1		BAND, HOSE
70	1		CLAMP, HOSE
80	1		HOSE (EGR-C, 2)
90	1		PIPE (EGR-C, 2)
100	2		CLAMP, HOSE
110	1		O-RING

**TURBO CHARGER (572600)**



1J498-002-13



# Bright Forklift

**BC3-6560**

## TURBO CHARGER (572600)

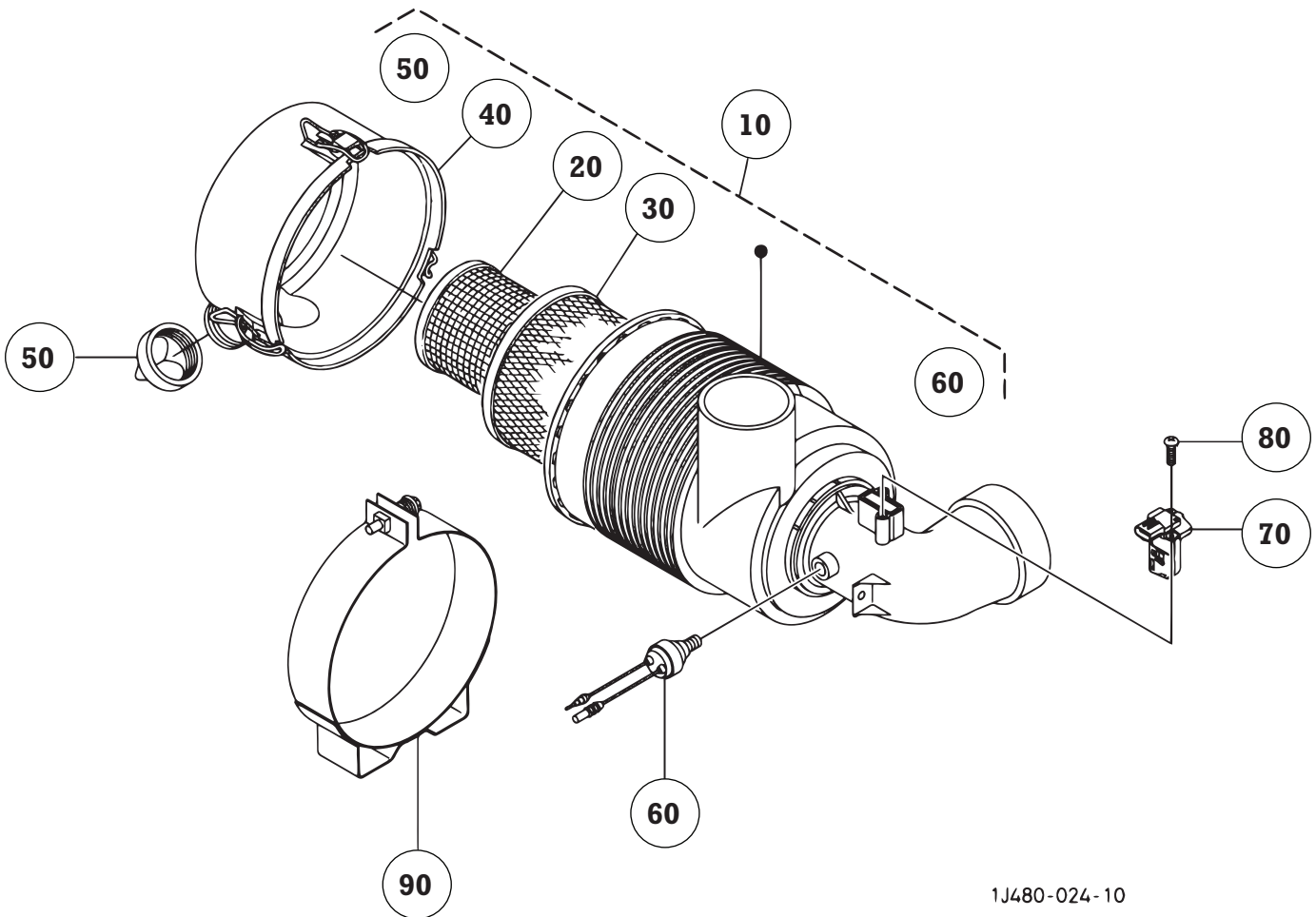
ITEM	QTY	PART NUMBER	DESCRIPTION
10	1	097-01162	ASSEMBLY TURBO CHARGER
15	1		ASSEMBLY HOSE
20	1	097-00960	GASKET
30	4	097-01238	BOLT, STUD
40	4	097-01156	NUT, FLANGE
50	1	097-01316	FLANGE (MUFFLER)
60	1	097-00961	GASKET, MUFFLER FLANGE
70	4	097-01240	STUD (M8X35)
80	4	097-01156	NUT, FLANGE
90	1		TUBE (INLET TURBO)
100	1		PIPE (BREATHER)
110	1		CLAMP
120	1		CLAMP, HOSE



# Bright Forklift

**BC3-6560**

**AIR CLEANER (573000)**



1J480-024-10



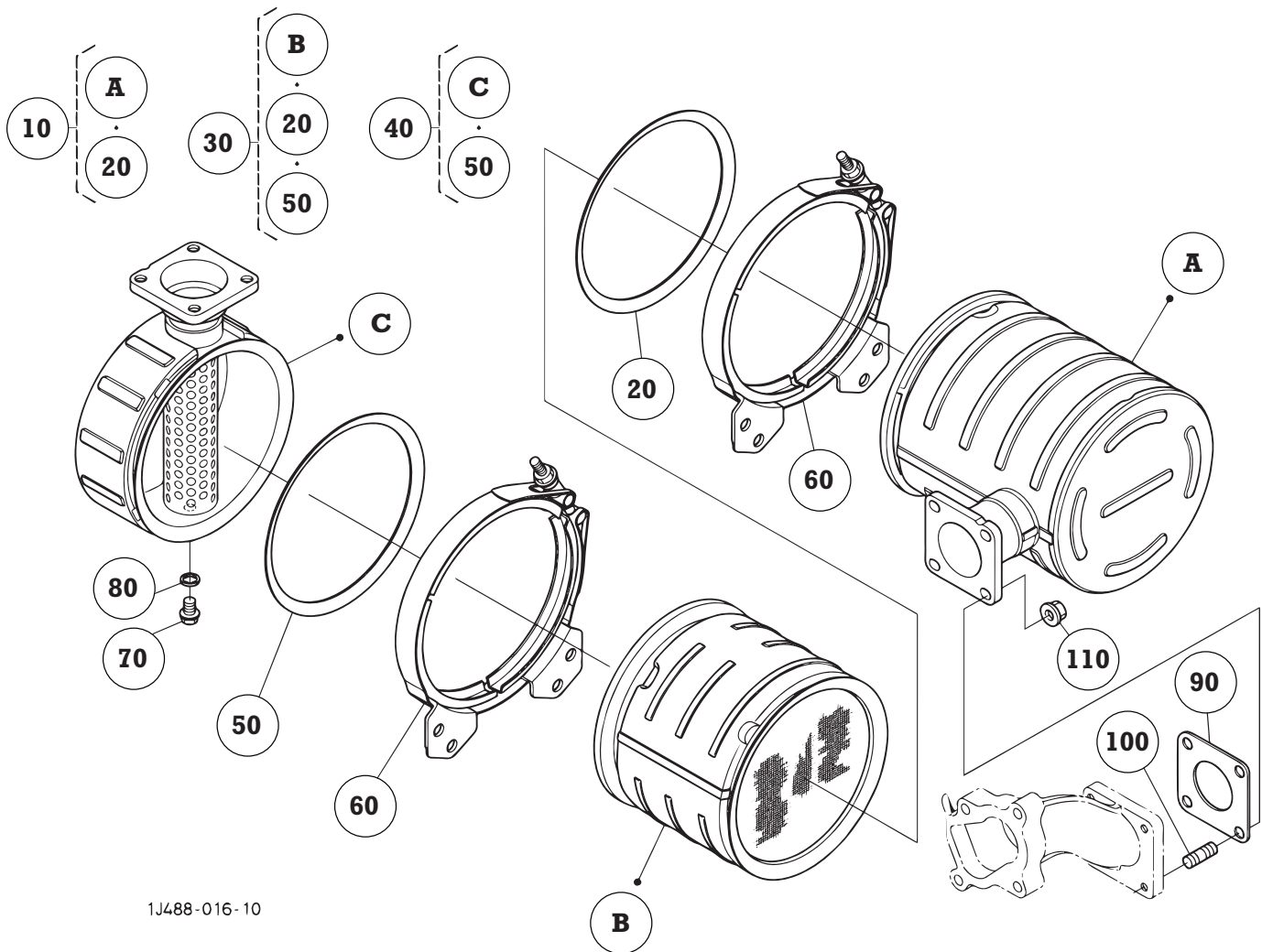
# Bright Forklift

**BC3-6560**

## AIR CLEANER (573000)

ITEM	QTY	PART NUMBER	DESCRIPTION
10	1	097-20963	CLEANER, AIR, ASSEMBLY
20	1	097-20966	ELEMENT, INNER
30	1	097-20965	ASSEMBLY ELEMENT, A/C
40	1	097-20968	COVER, ASSEMBLY
50	1	097-20967	VALVE
60	1	097-01163	ASSEMBLY INDICATOR
70	1	097-01164	SENSOR (AIR FLOW)
80	2		SCREW, PAN HEAD (PHILLIPS)
90	1	097-20964	BAND, ASSEMBLY (AIR CLEANER)

### DIESEL OXIDATION CATALYST MUFFLER (573500)



1J488-016-10



# Bright Forklift

**BC3-6560**

## DIESEL OXIDATION CATALYST MUFFLER (573500)

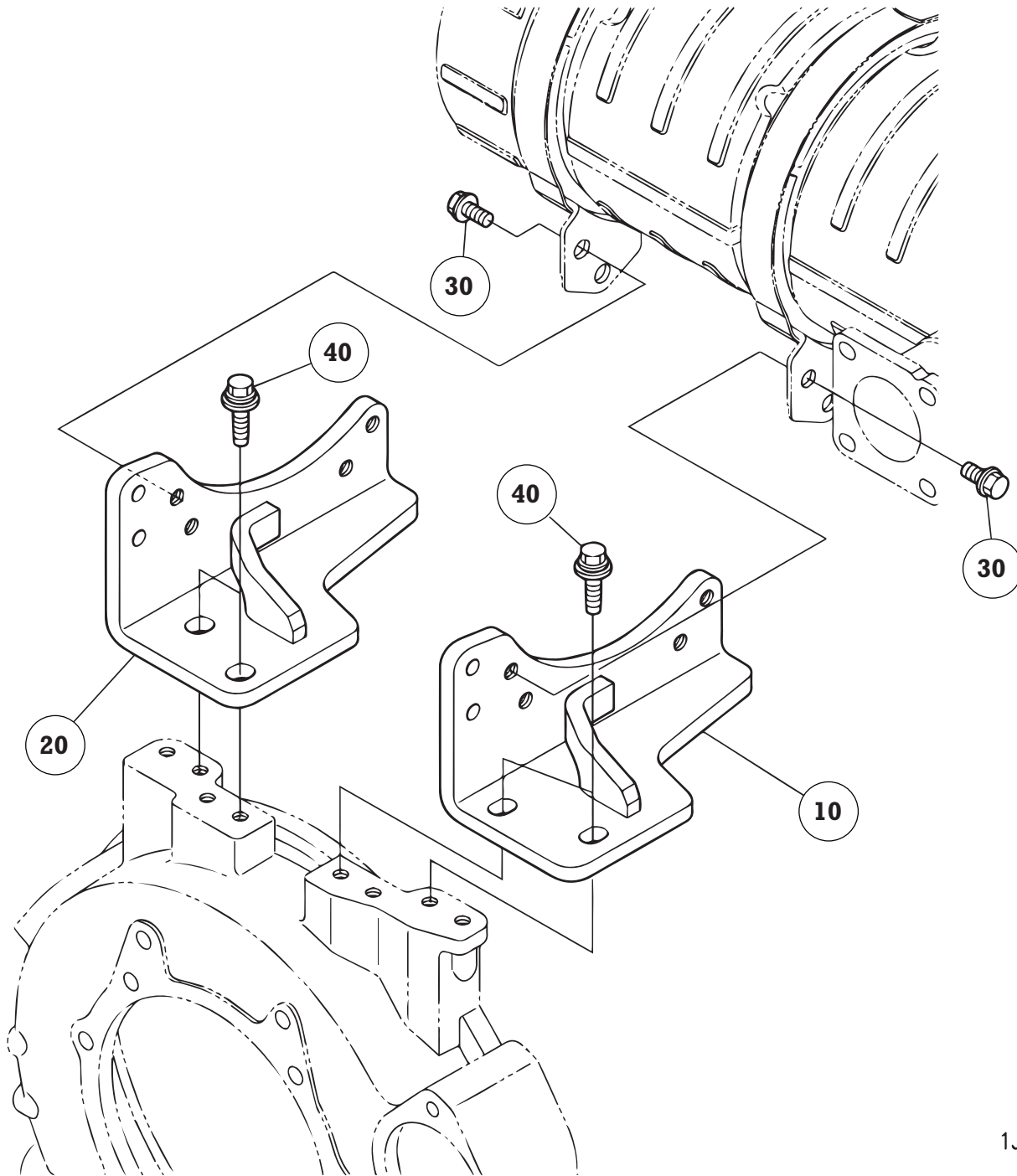
ITEM	QTY	PART NUMBER	DESCRIPTION
10	1	097-01292	CATALYST, KIT (DOC, 1)
20	1	097-01294	GASKET (DPF)
30	1	097-01293	CATALYST, KIT (DOC, 2)
40	1	097-01259	BODY, KIT
50	1	097-01294	GASKET (DPF)
60	2	097-01260	BRACKET (V BAND, DPF)
70	1	097-00454	BOLT, FLANGE
80	1	097-00298	PACKING
90	1	097-00489	GASKET, MUFFLER
100	4	097-01238	BOLT, STUD
110	4	097-01156	NUT, FLANGE



# Bright Forklift

**BC3-6560**

**DIESEL OXIDATION CATALYST MUFFLER BRACKET (573600)**



1J498-034-11





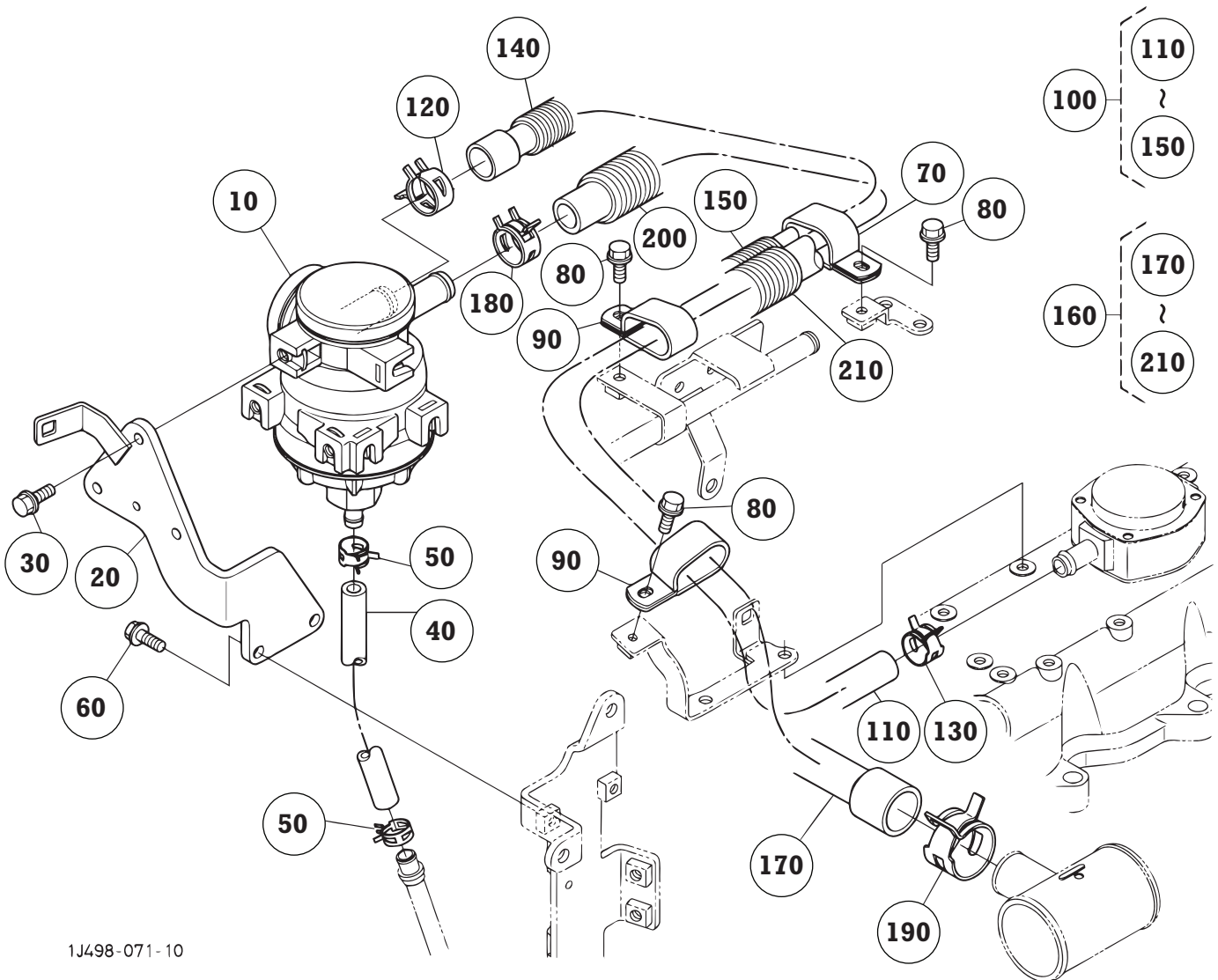
# Bright Forklift

**BC3-6560**

## DIESEL OXIDATION CATALYST MUFFLER BRACKET (573600)

ITEM	QTY	PART NUMBER	DESCRIPTION
10	1		BRACKET (DPF, 1)
20	1		BRACKET (DPF, 2)
30	8		BOLT, FLANGE
40	4		BOLT

### OIL SEPARATOR (576500)



1J498-071-10



# Bright Forklift

**BC3-6560**

## OIL SEPARATOR (576500)

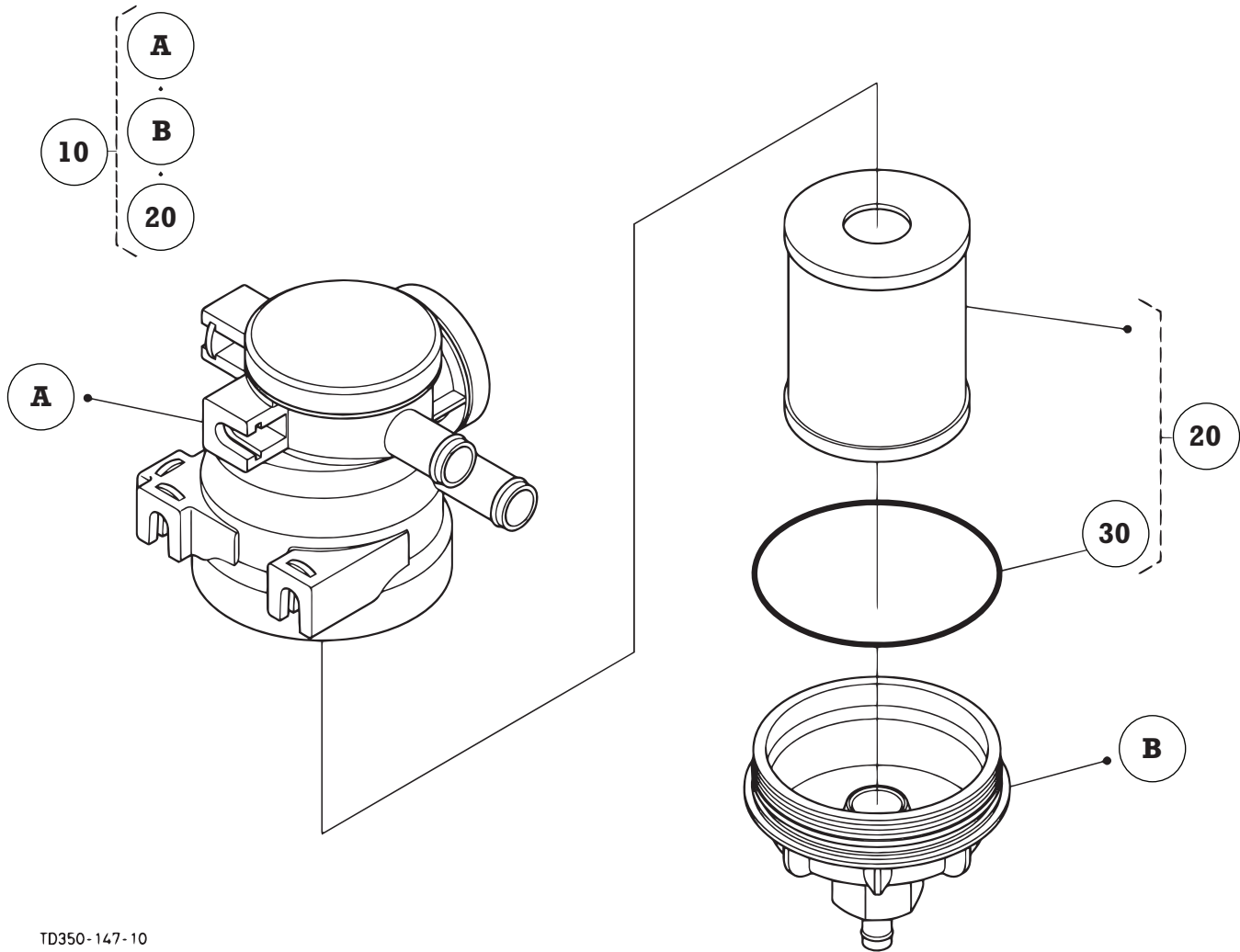
ITEM	QTY	PART NUMBER	DESCRIPTION
10	1	097-01165	SEPARATOR, ASSEMBLY
20	1		BRACKET (SEPARATOR)
30	3		BOLT, FLANGE
40	1		TUBE (OIL RETURN)
50	2		CLAMP, HOSE
60	2		BOLT, FLANGE
70	1		CLAMP, HOSE
80	3		BOLT, FLANGE
90	2		CLAMP, HOSE
100	1		TUBE, ASSEMBLY (BREATHER, 1)
110	1		TUBE (BREATHER, 1)
120	1		CLAMP, HOSE
130	1		CLAMP, HOSE
140	1		TUBE, PIPE
150	1		TUBE (CORRUGATE)
160	1		TUBE, ASSEMBLY (BREATHER, 2)
170	1		TUBE (BREATHER, 2)
180	1		CLAMP, HOSE
190	1		CLAMP, HOSE
200	1		TUBE (CORRUGATE)
210	1		TUBE (CORRUGATE)



# Bright Forklift

**BC3-6560**

**OIL SEPARATOR (COMPONENT PARTS) (576600)**



TD350-147-10

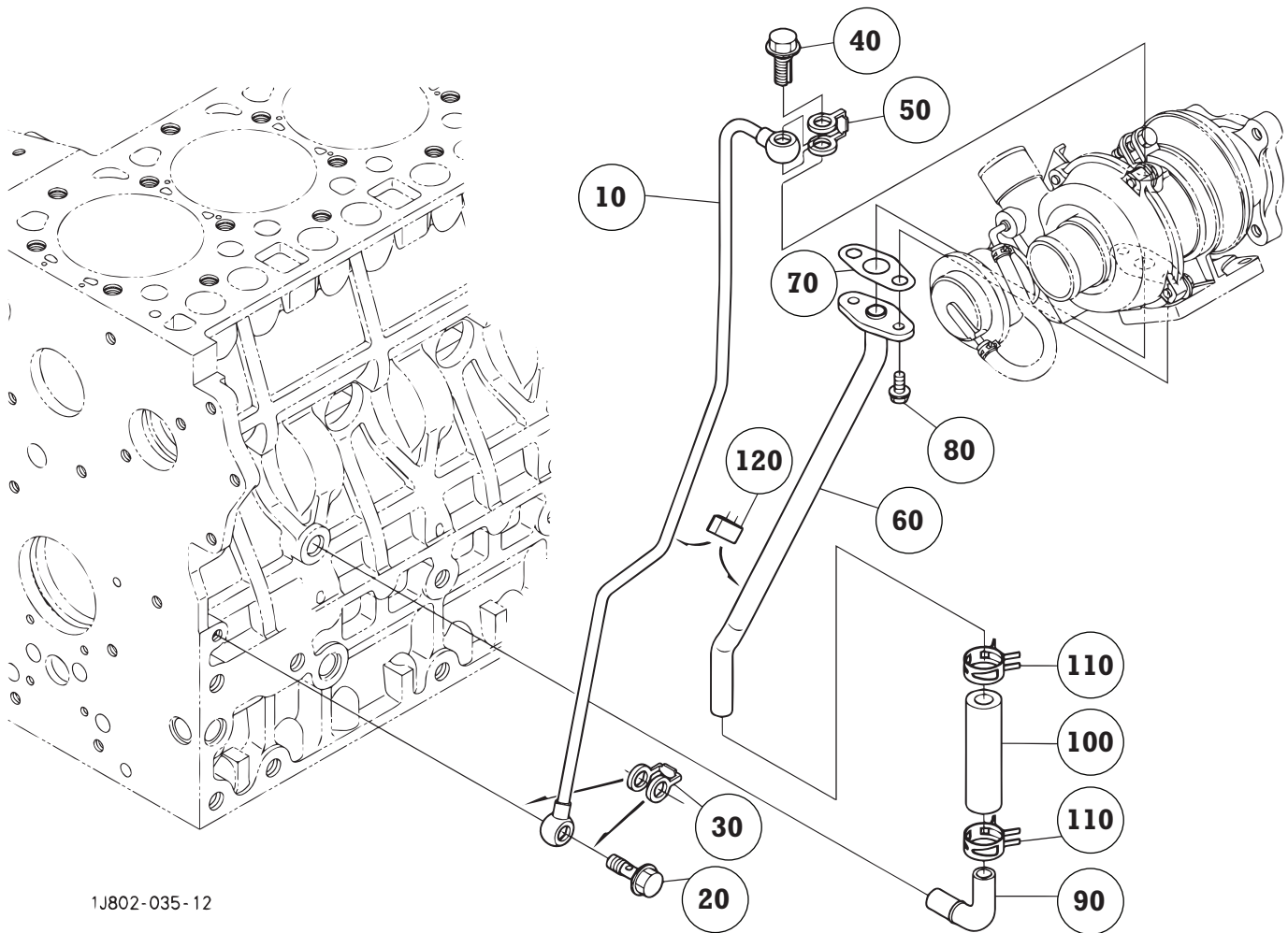


# Bright Forklift

**BC3-6560**

## OIL SEPARATOR (COMPONENT PARTS) (576600)

ITEM	QTY	PART NUMBER	DESCRIPTION
10	1	097-01165	SEPARATOR, ASSEMBLY
20	1	097-01166	ELEMENT, KIT
30	1		O-RING



1J802-035-12



# Bright Forklift

**BC3-6560**

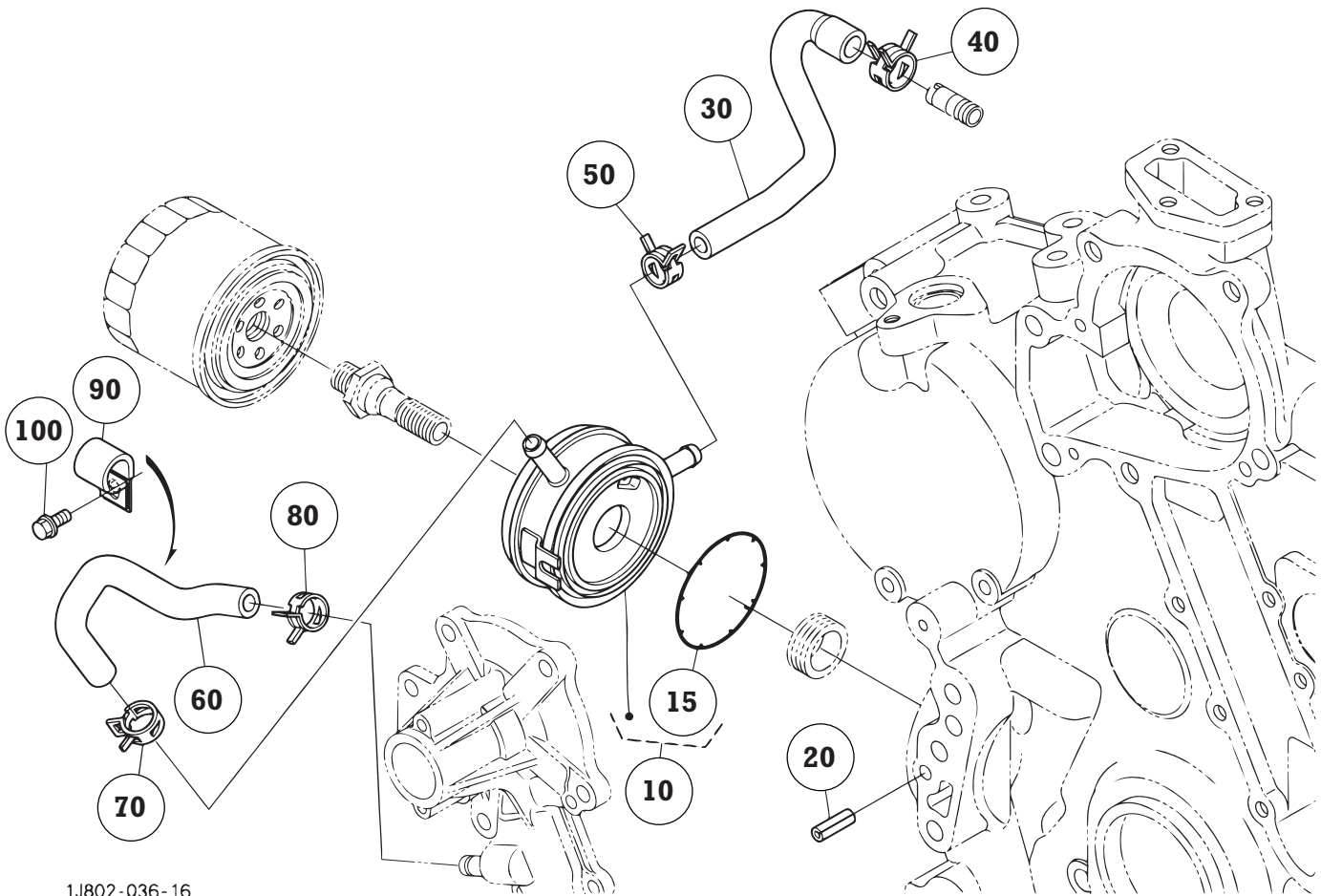
**OIL PIPE (TURBO CHARGER) (580000)**

ITEM	QTY	PART NUMBER	DESCRIPTION
10	1		PIPE, COMP
20	1	097-01111	BOLT, CONNECT
30	1	097-01025	GASKET
40	1	097-01335	BOLT, EYE JOINT
50	1	097-01032	GASKET
60	1		PIPE, COMP (OIL, 2)
70	1	097-01013	GASKET, OIL PIPE TURBO CHARGER
80	2		BOLT, FLANGE
90	1		PIPE (OIL, 3)
100	1		TUBE, OIL
110	2		CLAMP, HOSE
120	1	097-01107	CLAMP (PIPE)

# Bright Forklift

**BC3-6560**

**OIL COOLER (582000)**



1J802-036-16





# Bright Forklift

**BC3-6560**

## OIL COOLER (582000)

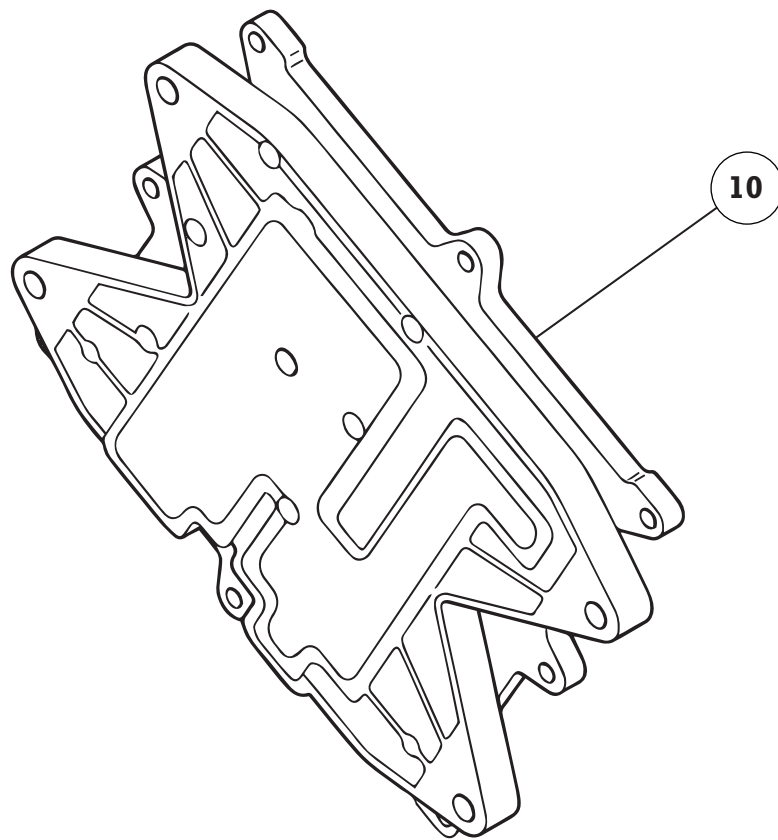
ITEM	QTY	PART NUMBER	DESCRIPTION
10	1	097-01167	COOLER, OIL, ASSEMBLY
15	1	097-01168	PACKING
20	1		ROLLER PIN
30	1		HOSE, OIL COOLER
40	1		BAND, HOSE
50	1		BAND, PIPE
60	1		HOSE (OIL COOLER)
70	1		BAND, PIPE
80	1		BAND, PIPE
90	1		CLAMP
100	1		BOLT, FLANGE



# Bright Forklift

**BC3-6560**

ECU (ENGINE CONTROL UNIT) (587200)



1J334-005-10



# Bright Forklift

**BC3-6560**

**ECU (ENGINE CONTROL UNIT) (587200)**

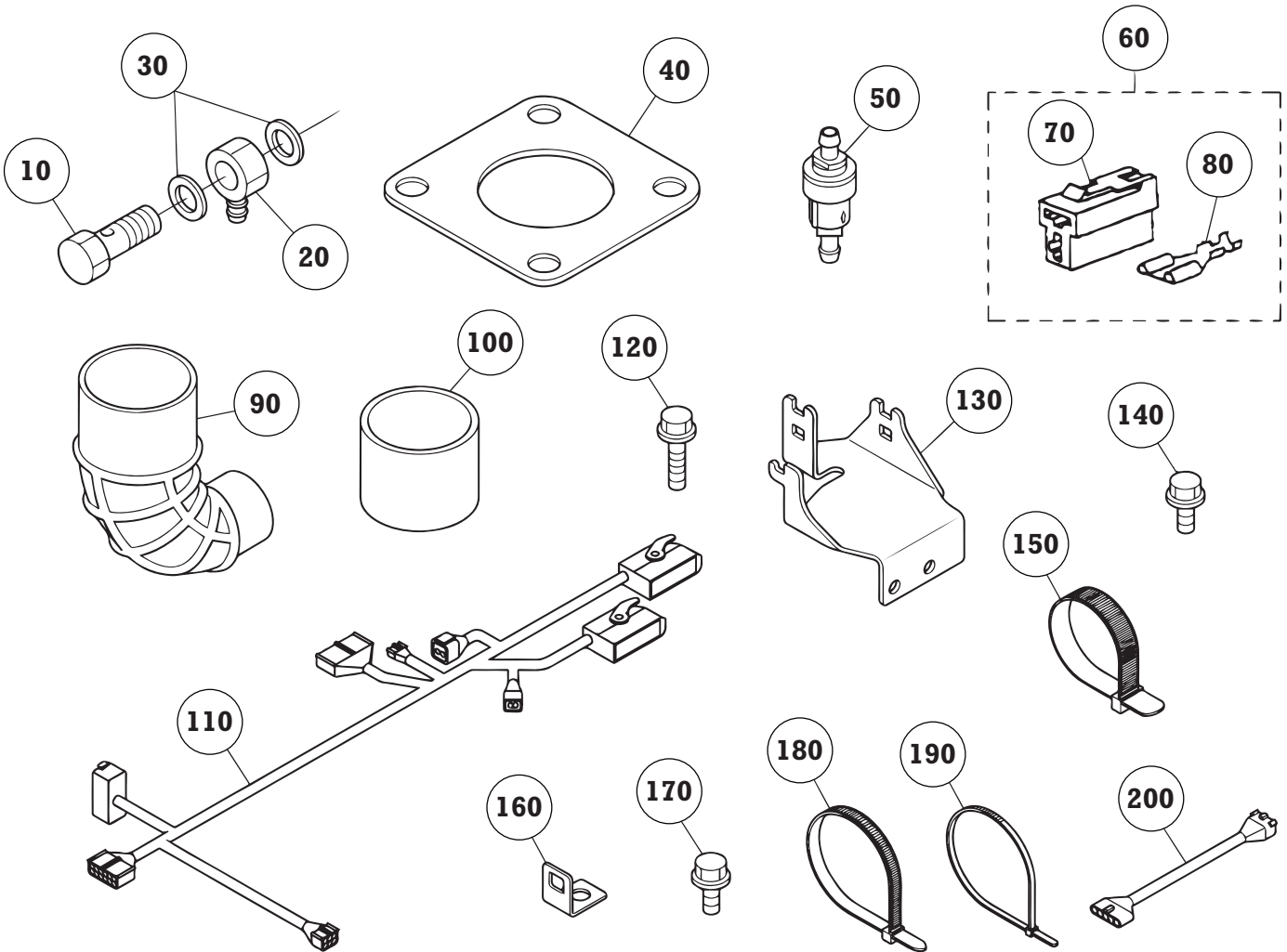
ITEM	QTY	PART NUMBER	DESCRIPTION
10	1	097-01169	ECU, SUB-ASSEMBLY (03-OEM)



# Bright Forklift

**BC3-6560**

**ACCESSORIES AND SERVICE PARTS (588000)**



1J498-087-10



# Bright Forklift

**BC3-6560**

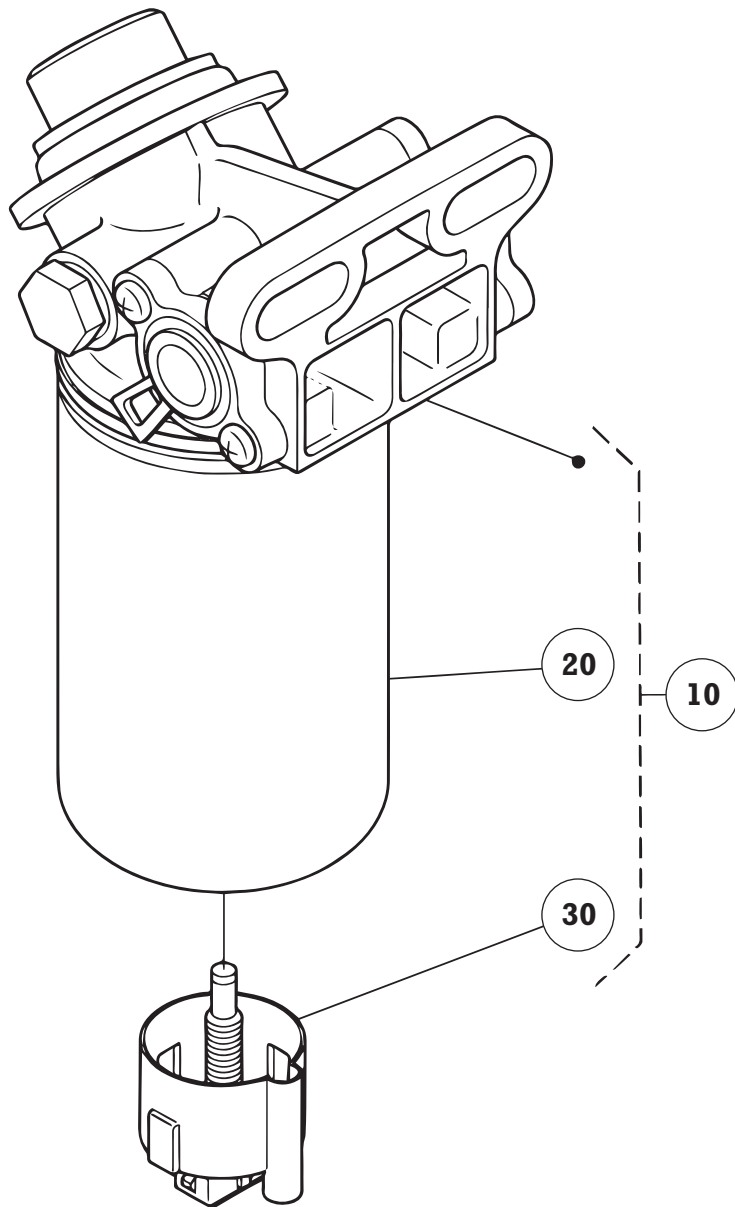
## ACCESSORIES AND SERVICE PARTS (588000)

ITEM	QTY	PART NUMBER	DESCRIPTION
10	4	097-20928-01	BOLT, JOINT
20	4	097-01170	JOINT, EYE
30	8	097-20933	GASKET
40	1	097-00489	GASKET, MUFFLER
50	1	097-20972	VALVE, FUEL CHECK
60	1		ASSEMBLY COUPLER
70	1		CONNECTOR
80	2		TERMINAL
90	1	097-01171	HOSE (INLET)
100	1	097-01172	HOSE (INLET)
110	1	097-01173	HARNESS, WIRE, ASSEMBLY
120	4		BOLT, FLANGE
130	1		BRACKET (WH, INT)
140	2		BOLT, FLANGE
150	10		CLAMP, CORD
160	10		STAY, HARNESS BOOM
170	10		BOLT, FLANGE
180	3		CLAMP (WIRE)
190	4		CLAMP (WIRE)
200	1	097-01174	HARNESS, WIRE, ASSEMBLY

# Bright Forklift

**BC3-6560**

SEPARATOR (532500)



1J490-009-10



# Bright Forklift

**BC3-6560**

**SEPARATOR (532500)**

ITEM	QTY.	PART NUMBER	DESCRIPTION
10	1	097-24904	FILTER, ASSEMBLY (WITH SEPARATOR)
20	1	097-20971	FILTER
30	1	097-01193	SWITCH, ASSEMBLY

