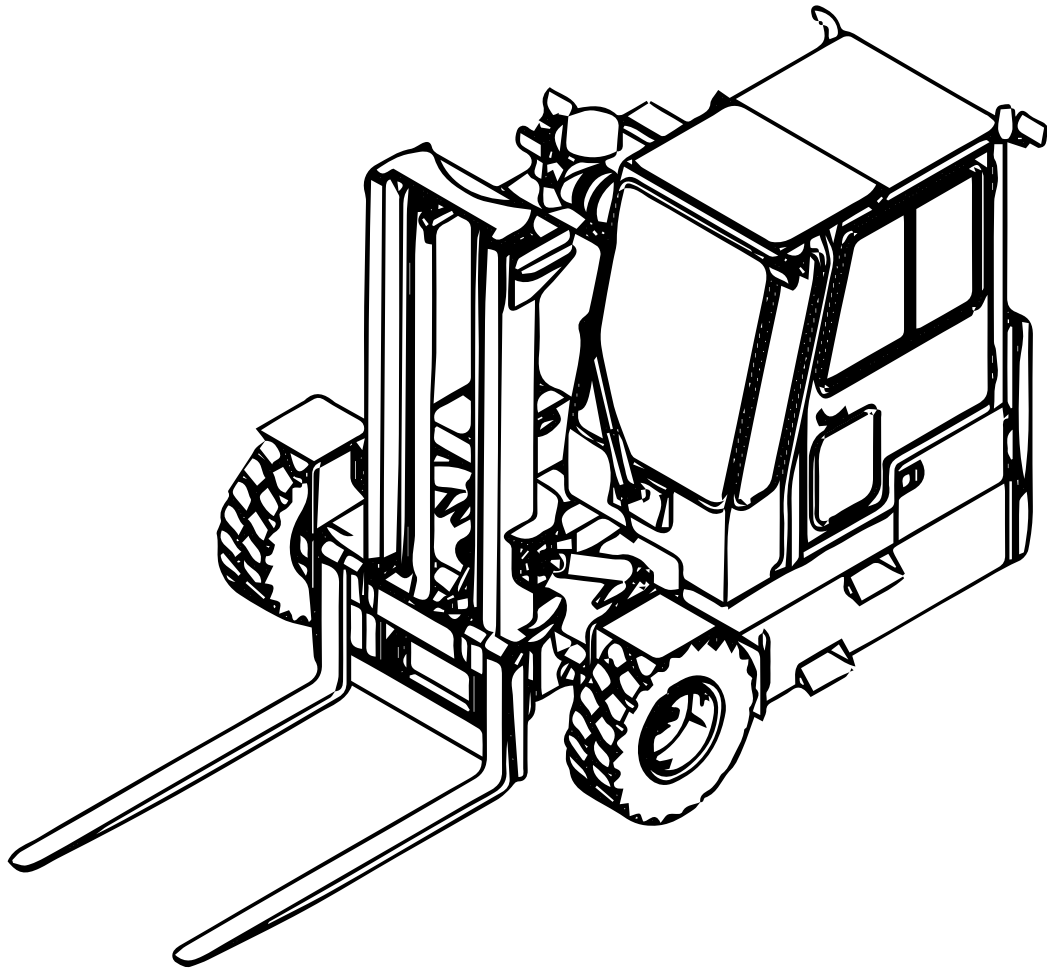




Bright Forklift Montacargas Bright

BD3-7570 with V3800 engine (S/N 32 and up)



Parts Catalog

Bright Coop Inc.

803 W. Seale St.

Nacogdoches, TX 75964

Phone: (936) 564-8378 • Fax: (936) 564-3281

Info@brightcoop.com

BCI# 097-24320 DATED: 08/2024



Bright Forklift

BD3-7570 with V3800 engine (S/N 32 and up)



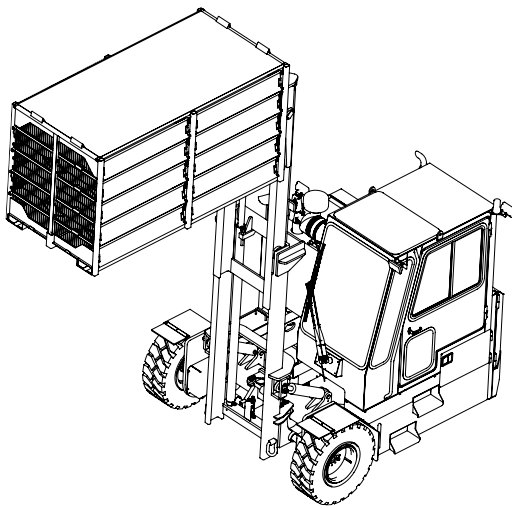


Bright Forklift

BD3-7570 with V3800 engine (S/N 32 and up)

Tab Indexes

Parts Catalog



1. **SECTION 1
CAB ASSEMBLY**
2. **SECTION 2
STEERING AXLE**
3. **SECTION 3
POWERTRAIN CIRCUITS**
4. **SECTION 4
FORKLIFT CIRCUITS**
5. **SECTION 5
TIRE & WHEEL ASSEMBLY**
6. **SECTION 6
MAST ASSEMBLY**
7. **SECTION 7
HOODS, PANELS, & ACC.**
8. **SECTION 8
DECALS**
9. **SECTION 9
MAINTENANCE ITEMS**
10. **SECTION 10
SCHEMATICS**
11. **SECTION 11
KUBOTA DIESEL ENGINE**

Bright Coop Inc.
803 W. Seale St.
Nacogdoches, TX 75964
Phone: (936) 564-8378
Fax: (936) 564-3281
Info@brightcoop.com
BCI# 097-24320



Bright Forklift

BD3-7570 with V3800 engine (S/N 32 and up)

SECTION 1

CAB ASSEMBLY

CONTENTS

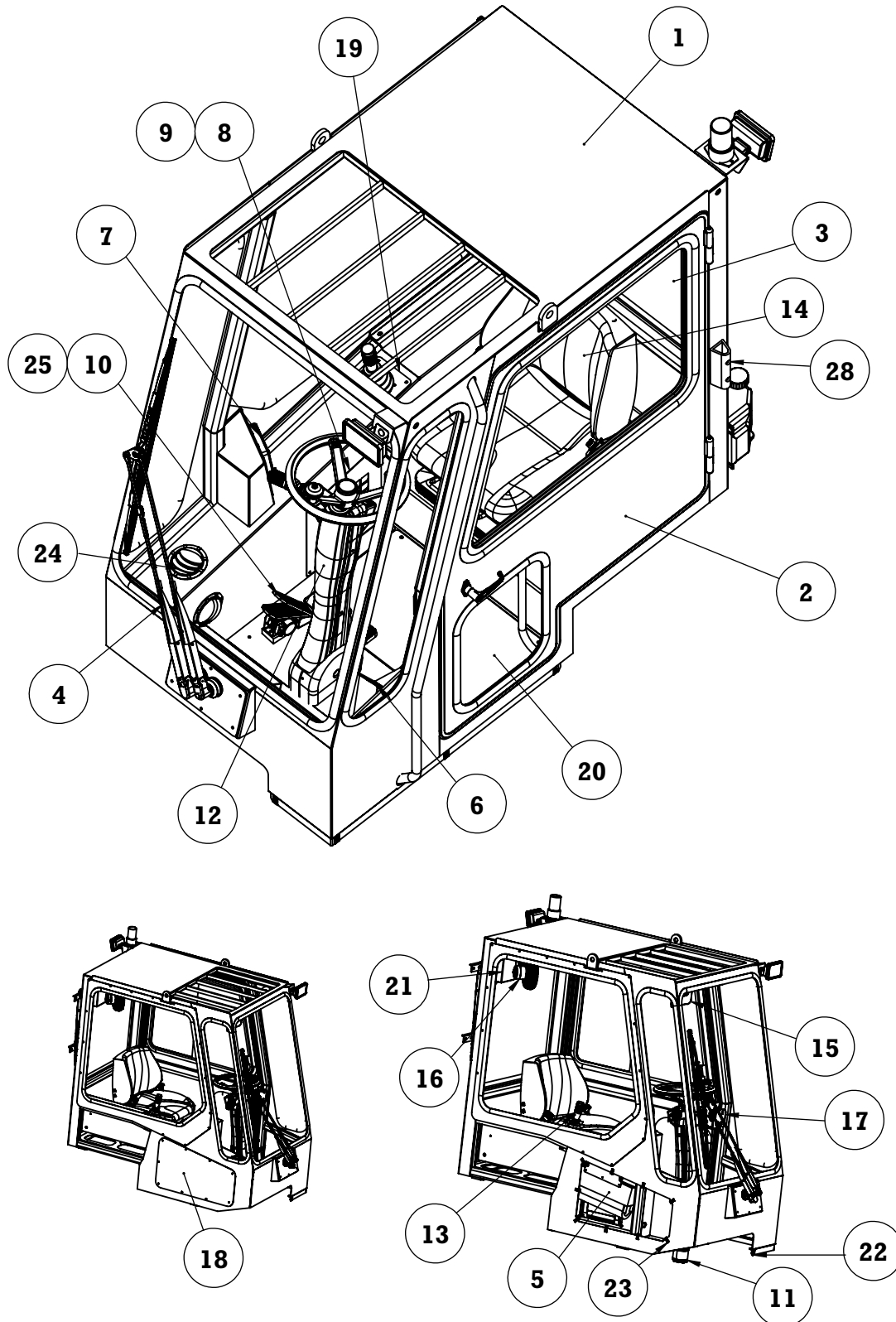
CAB ASSEMBLY (097-25200)	1-2
CAB WINDOW ASSEMBLY (097-25201).....	1-4
FRONT AND REAR WIPER ASSEMBLY (097-25202)	1-6
DASH ASSEMBLY (097-25205)	1-8
CAB DOOR ASSEMBLY (097-25220).....	1-10
CAB SUMMER DOOR ASSEMBLY (097-25222)	1-12
COLUMN ASSEMBLY (0A041800_B).....	1-14
SIDE WINDOW FRAME ASSEMBLY - SUMMER WINDOW (097-25207)	1-16



Bright Forklift

BD3-7570 with V3800 engine (S/N 32 and up)

CAB ASSEMBLY (097-25200)





Bright Forklift

BD3-7570 with V3800 engine (S/N 32 and up)

CAB ASSEMBLY (097-25200)

ITEM	QTY.	PART NUMBER	DESCRIPTION
1	1	097-25210	CAB PANEL WELDMENT
2	1	097-25220	CAB DOOR ASSEMBLY
3	1	097-25201	WINDOW ASSEMBLY
4	1	097-25202	FRONT AND REAR WIPER ASSEMBLY
5	1	097-25203	HEATER ASSEMBLY
6	1	097-25204H	HYDRECO FOOT VALVE ASSEMBLY
7	1	097-25205	DASH ASSEMBLY
8	1	097-25212	HEATER FILTER HOLDER
9	1	097-24107	HEATER AIR FILTER
10	1	097-20833	FUEL PEDAL ASSEMBLY
11	1	097-24064	STEERING CONTROL UNIT 400CC
12	1	097-24149	STEERING COLUMN ASSY - MARS MODEL
13	1	097-24104	HYDRAULIC JOYSTICK WITH PUSH BUTTON
14	1	097-24245	SUSPENSION SEAT (HEAVY DUTY)
15	1	097-20714	FORKLIFT MIRROR (CAB)
16	1	430-00282	FAN
17	1	097-24061	STRIKER BRACKET (BOLT ON)
18	1	097-24057	HEATER ACCESS COVER
19	1	097-24150	JOYSTICK MOUNTING PLATE
20	1	097-24151	FLOOR ACCESS PLATE
21	1	097-24152	REAR WIPER MOTOR COVER PLATE
22	4	097-24014	CLIP ON NUT - 5/16-18 NC
23	21	210-00602A	SPEED NUT - 1/4-20 NC
24	2	097-24060	AIR DIFFUSER
25	1	097-24319	PLASTIC WEDGE FOR THROTTLE
26	1	097-24339	SEAT ARMREST - RH
27	1	097-24044	CAB FLOOR MAT
28	1	097-24345	DOOR BUMPER STOP
29*	1	190-00899	3VTE6 - 12 VDC POWER OUTLET - 3 GANG (15A MAX)

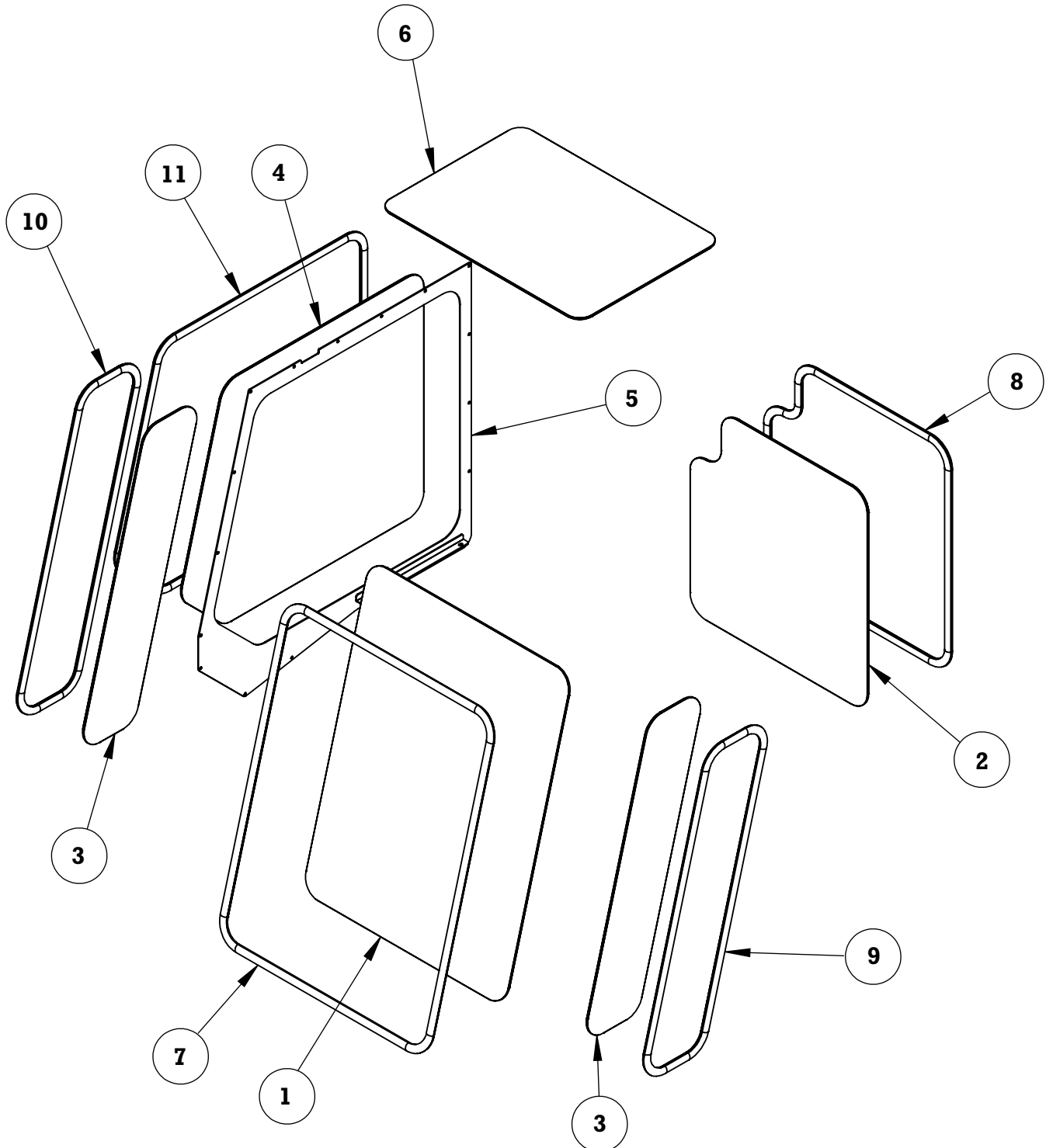
NOTE: * ITEM #29 IS MOUNTED BEHIND SEAT ARMREST



Bright Forklift

BD3-7570 with V3800 engine (S/N 32 and up)

CAB WINDOW ASSEMBLY (097-25201)





Bright Forklift

BD3-7570 with V3800 engine (S/N 32 and up)

CAB WINDOW ASSEMBLY (097-25201)

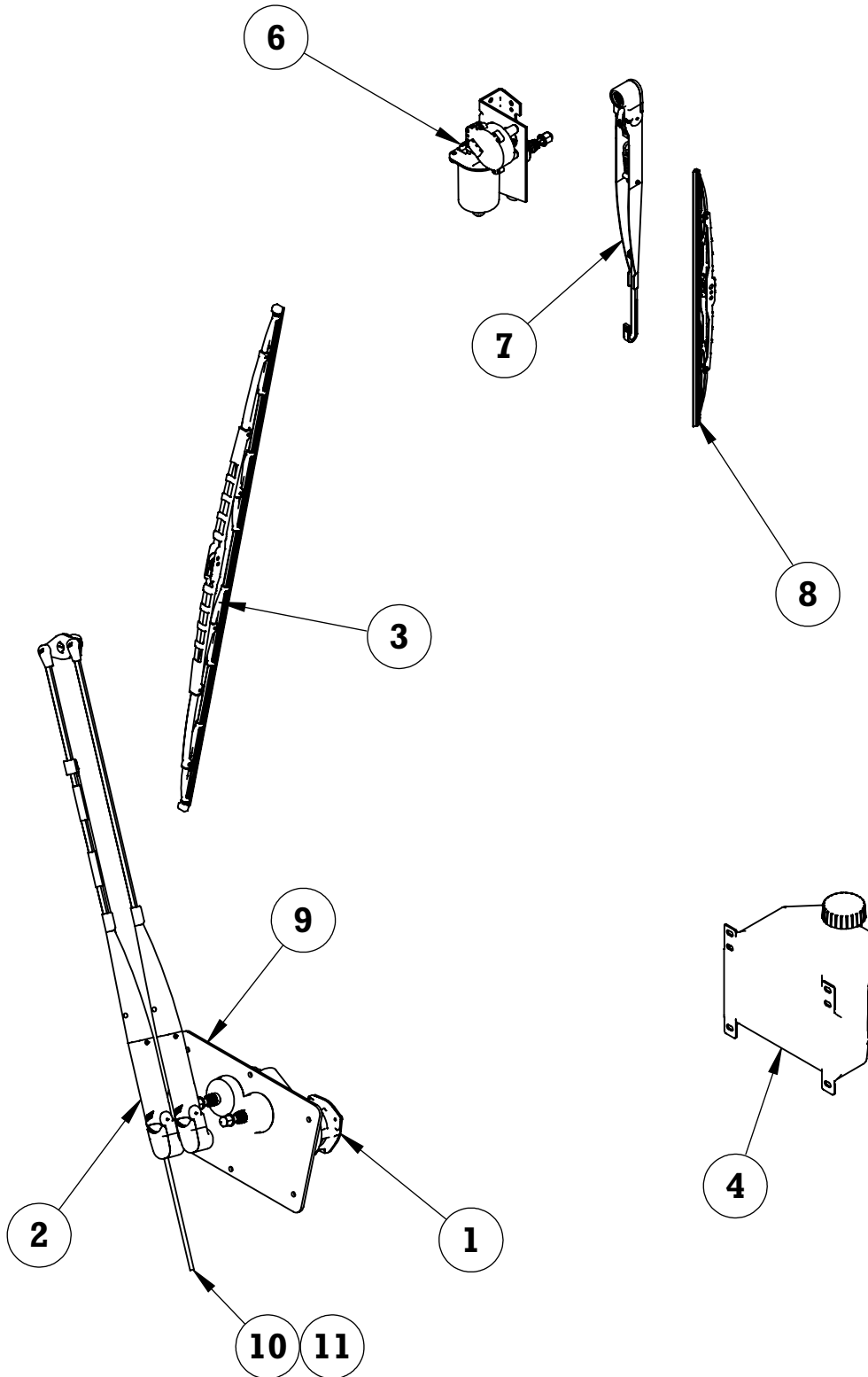
ITEM	QTY	PART NUMBER	DESCRIPTION
1	1	097-24065	WINDSHIELD
2	1	097-24066	REAR WINDOW
3	2	097-24067	FRONT SIDE WINDOW
4	1	097-24068	RIGHT HAND SIDE WINDOW
5	1	097-25206	SIDE WINDOW FRAME ASSEMBLY
6	1	097-24069	ROOF WINDOW
7	13 FT	098-00772	WINDOW GASKET
8	10 FT	098-00772	WINDOW GASKET
9	8.5 FT	098-00772	WINDOW GASKET
10	8.5 FT	098-00772	WINDOW GASKET
11	12 FT	098-00772	WINDOW GASKET



Bright Forklift

BD3-7570 with V3800 engine (S/N 32 and up)

FRONT AND REAR WIPER ASSEMBLY (097-25202)





Bright Forklift

BD3-7570 with V3800 engine (S/N 32 and up)

FRONT AND REAR WIPER ASSEMBLY (097-25202)

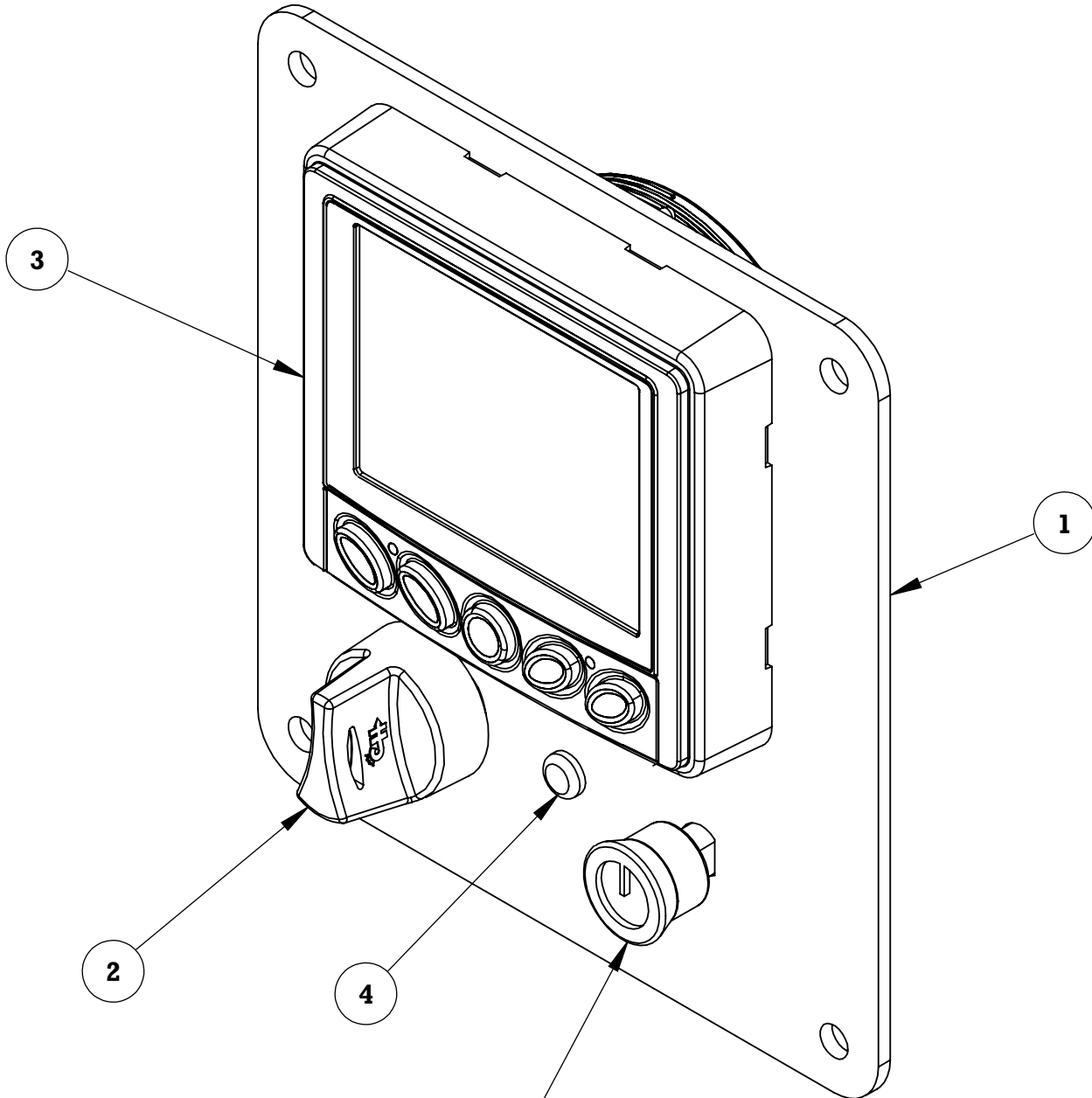
ITEM	QTY	PART NUMBER	DESCRIPTION
1	1	097-24062-01	FRONT WIPER MOTOR ASSEMBLY
2	1	097-24062-02	FRONT WIPER ARM ASSEMBLY - PANTOGRAPH
3	1	097-24062-03	FRONT WIPER BLADE - 32"
4	1	097-24062-04	WASHER BOTTLE ASSEMBLY - W/ PUMP
5	1	097-24062-05	BULKHEAD FITTING
6	1	097-24063-01	REAR WIPER MOTOR ASSEMBLY
7	1	097-24063-02	REAR WIPER ARM ASSEMBLY
8	1	097-24063-03	REAR WIPER BLADE - 18"
9	1	097-24224	FRONT WIPER MOTOR HOLDER
10	8 FT	098-00725	3/16" RUBBER HOSE
11	1	330-00437	BARB FITTING - 3/8" X 3/8"



Bright Forklift

BD3-7570 with V3800 engine (S/N 32 and up)

DASH ASSEMBLY (097-25205)



**HEATER SWITCH
(COMES WITH HEATER)**



Bright Forklift

BD3-7570 with V3800 engine (S/N 32 and up)

DASH ASSEMBLY (097-25205)

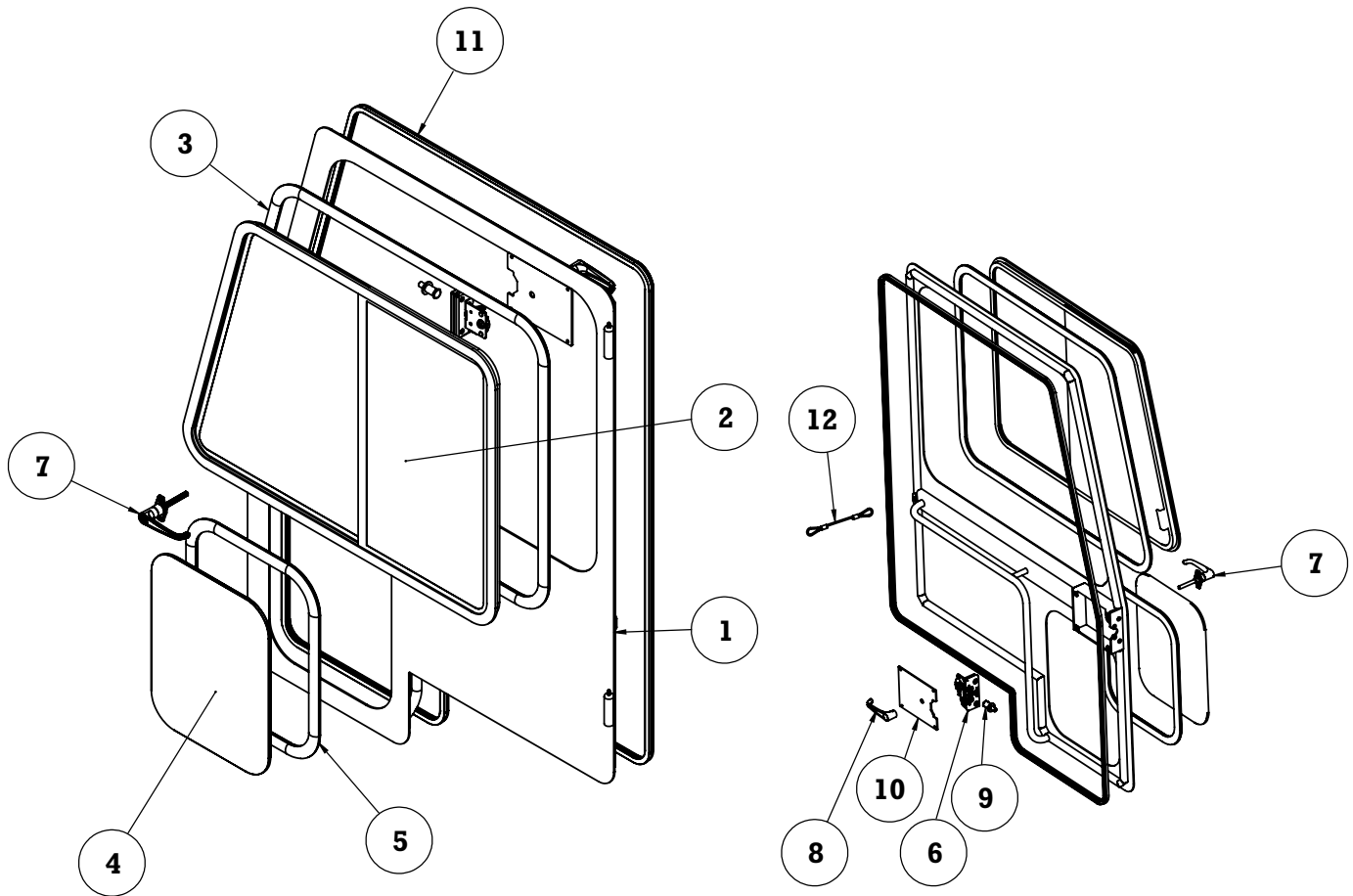
ITEM	QTY.	PART NUMBER	DESCRIPTION
1	1	097-24148	DASH MOUNTING PLATE
2	1	190-00747	SEALED KEY IGNITION SWITCH - 3 POSITION
3	1	190-00743	MURPHY POWERVIEW PV380-R2
4	1	097-20828	LED INDICATOR LIGHT - YELLOW



Bright Forklift

BD3-7570 with V3800 engine (S/N 32 and up)

CAB DOOR ASSEMBLY (097-25220)





Bright Forklift

BD3-7570 with V3800 engine (S/N 32 and up)

CAB DOOR ASSEMBLY (097-25220)

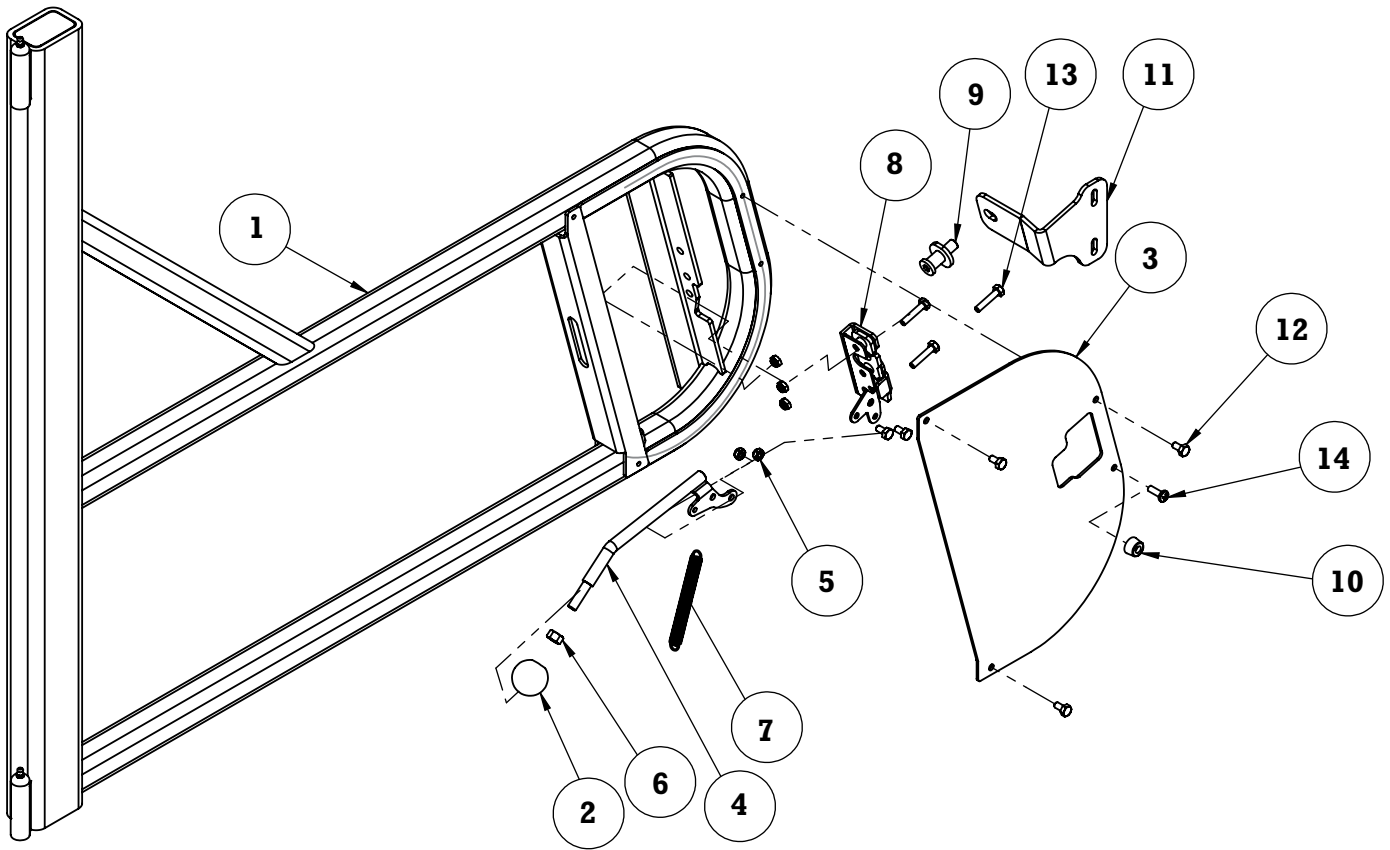
ITEM	QTY.	PART NUMBER	DESCRIPTION
1	1	097-25221	CAB DOOR WELDMENT
2	1	097-24070	DOOR SLIDING WINDOW
3	10 FT.	098-00772	WINDOW GASKET
4	1	097-24071	DOOR BOTTOM WINDOW
5	5 FT.	098-00772	WINDOW GASKET
6	1	098-01816R	ROTARY LATCH (RIGHT HAND SIDE)
7	1	098-01817	OUTSIDE HANDLE W/ DRIVE SHAFT & LOCK
8	1	098-01818	INSIDE HANDLE
9	1	098-01819	STRIKER FOR ROTARY LATCH
10	1	098-01803	BULLET DOOR LATCH COVER
11	16 FT.	097-24153	DOOR SEAL GASKET
12	1	097-25213	DOOR CHECK CABLE ASSEMBLY



Bright Forklift

BD3-7570 with V3800 engine (S/N 32 and up)

CAB SUMMER DOOR ASSEMBLY (097-25222)





Bright Forklift

BD3-7570 with V3800 engine (S/N 32 and up)

CAB SUMMER DOOR ASSEMBLY (097-25222)

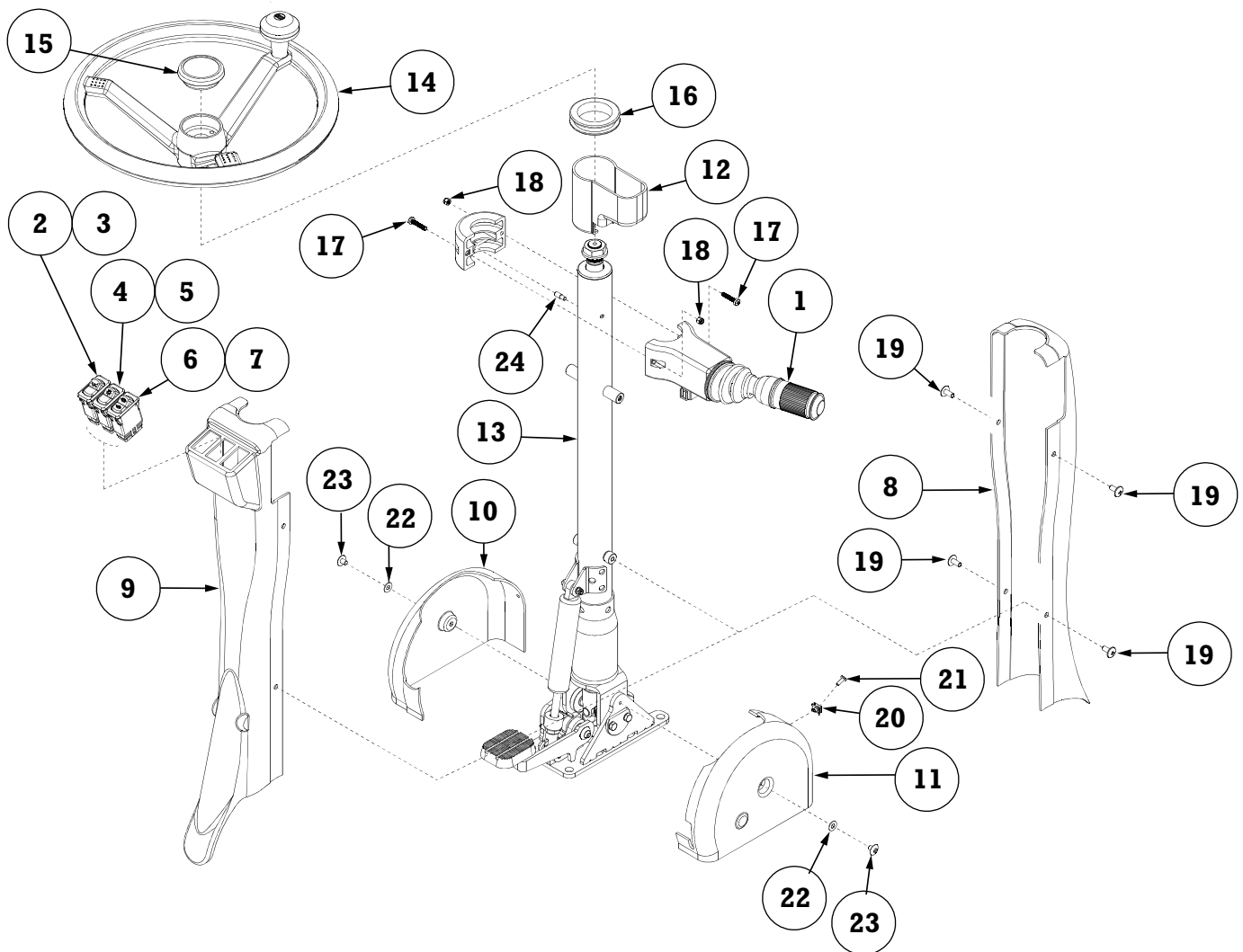
ITEM	QTY.	PART NUMBER	DESCRIPTION
1	1	097-25223	CAB SUMMER DOOR WELDMENT
2	1	097-20319	DELUXE BALL KNOB W/ 3/8-16 THREAD
3	1	097-20943	INNER COVER
4	1	097-21230	DOOR LATCH HANDLE WELDMENT
5	5	REF.	1/4-20 NYLOC HEX NUT
6	1	210-00173	3/8-16 HEX NUT
7	1	KD-B1074	THROTTLE SPRING
8	1	097-20659	ROTARY LATCH
9	1	097-20660	STRIKER
10	1	098-01170	RUBBER BUMPER
11	1	097-24269	STRIKER BRACKET, SUMMER DOOR - (BOLT ON)
12	5	REF.	1/4-20 X 1/2 LG HEX BOLT
13	3	REF.	1/4-20 X 1-1/4 LG HEX BOLT
14	1	REF.	SCREW, PAN HEAD 1/4-20 NC X 3/4 LG



Bright Forklift

BD3-7570 with V3800 engine (S/N 32 and up)

COLUMN ASSEMBLY (0A041800_B)





Bright Forklift

BD3-7570 with V3800 engine (S/N 32 and up)

COLUMN ASSEMBLY (0A041800_B)

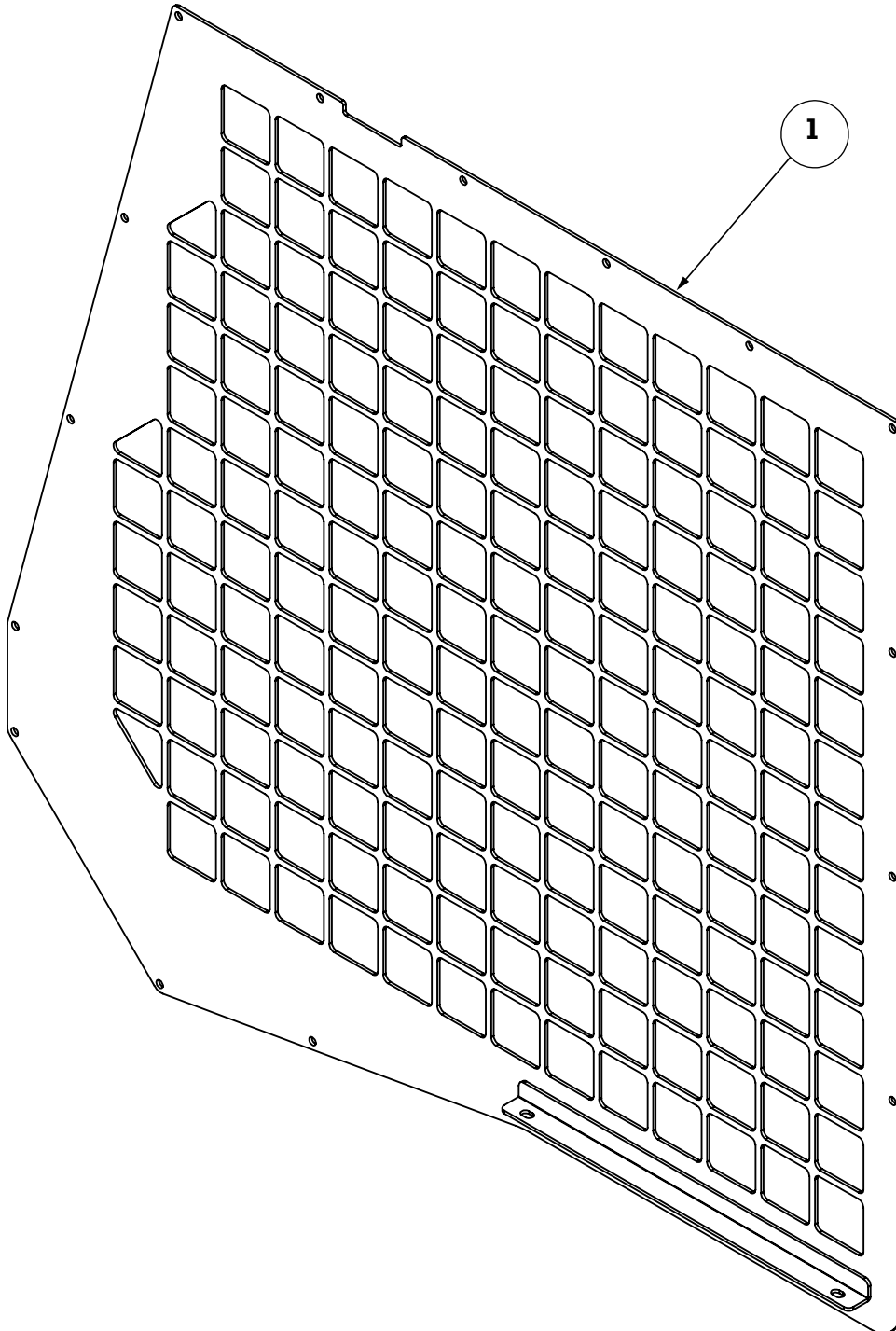
REF	QTY.	PART NUMBER	DESCRIPTION
1	1	097-00867	COLUMN SWITCH WIPER/WASHER
2	1	097-00868	ROCKER SWITCH OFF - ON RED LED
3	1	097-00872	ROCKER COVER HORN
4	1	097-00869	ROCKER SWITCH OFF - ON GREEN LED
5	1	097-00873	ROCKER COVER LIGHTS
6	1	097-00870	ROCKER SWITCH OFF - ON YELLOW LED
7	1	097-00874	ROCKER COVER PARKING BRAKE
8	1		FRONT PLASTIC COVER BLACK
9	1		REAR PLASTIC COVER BLACK
10	1		LEFT PROTECTION COVER BLACK
11	1		RIGHT PROTECTION COVER BLACK
12	1		SWITCH COVERGE PROTECTION BLACK
13	1		COLUMN 00-04-02-G-750
14	1	097-00871	STEERING WHEEL DIAMETER .362 X 105
15	1	097-00010	STEERING WHEEL CAP
16	1		RUBBER RING DIAMETER 45
17	2		SCREW M5 X 15MM UNI7687 CL 4, 8 ZN1
18	2		NUT M5 ZN12 DIN982
19	4		SCREW M6 X 14 ZNN12+S
20	1		METAL CLIP FASTENER
21	1		SCREW M4 X 11 ZNN12+S
22	2		WASHER NYLON PLASTIC BLACK
23	2		SCREW M6 X 8 ZNN12+S
24	1		LOCATING PIN FOR COLUMN SWITCH
25	1	097-00878	COLUMN HARNESS (NOT SHOWN)



Bright Forklift

BD3-7570 with V3800 engine (S/N 32 and up)

SIDE WINDOW FRAME ASSEMBLY - SUMMER WINDOW (097-25207)





Bright Forklift

BD3-7570 with V3800 engine (S/N 32 and up)

SIDE WINDOW FRAME ASSEMBLY - SUMMER WINDOW (097-25207)

REF	QTY.	PART NUMBER	DESCRIPTION
1	1		SUMMER WINDOW WITHOUT GLASS



Bright Forklift

BD3-7570 with V3800 engine (S/N 32 and up)

SECTION 2

STEERING AXLE

CONTENTS

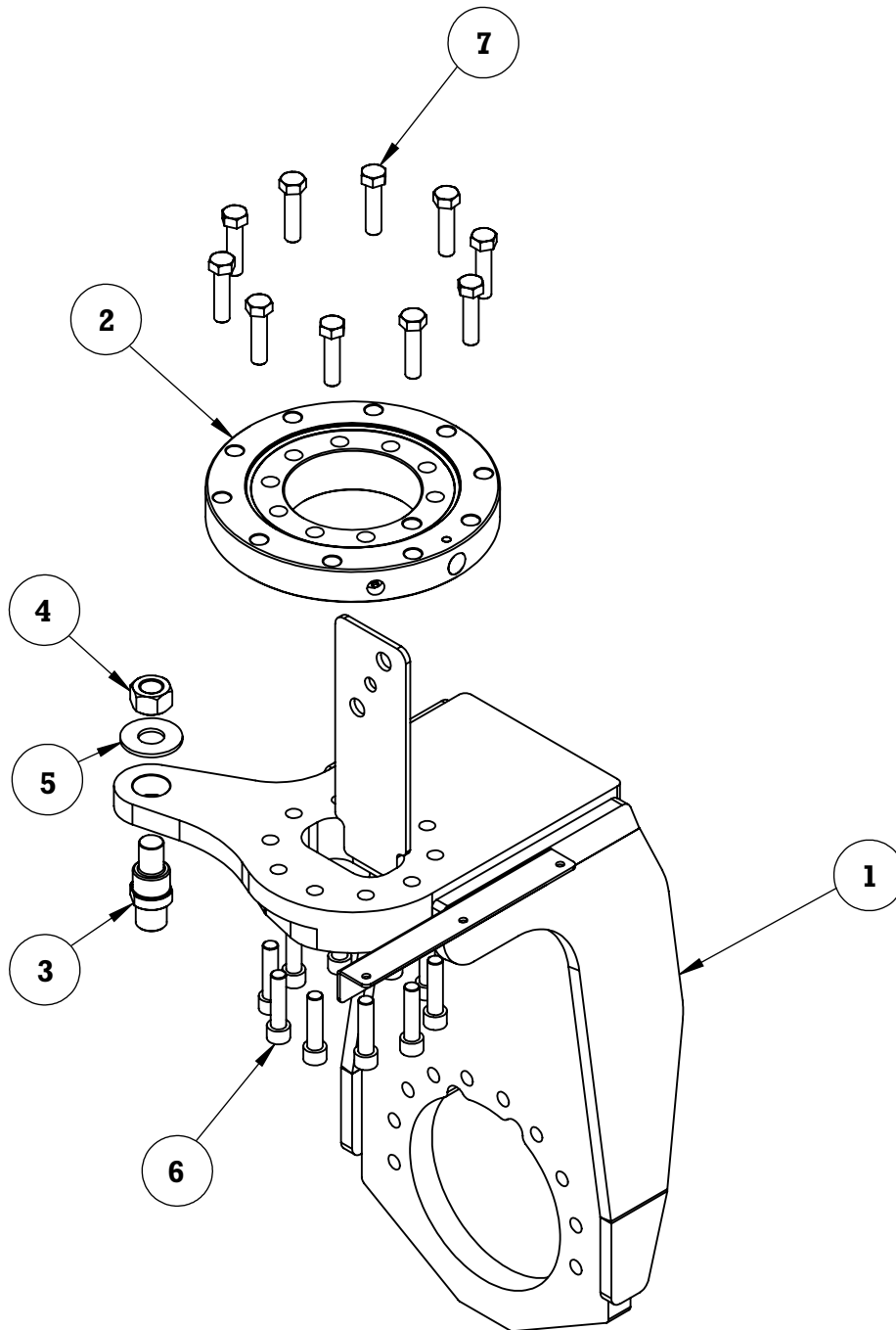
STEER AXLE ASSEMBLY (097-25300)2-2



Bright Forklift

BD3-7570 with V3800 engine (S/N 32 and up)

STEER AXLE ASSEMBLY (097-25300)





Bright Forklift

BD3-7570 with V3800 engine (S/N 32 and up)

STEER AXLE ASSEMBLY (097-25300)

ITEM	QTY.	PART NUMBER	DESCRIPTION
1	1	097-25310	STEER AXLE WELDMENT
2	1	097-24007	SLEWING BEARING
3	1	097-24011	STUB SHAFT FOR STEERING
4	1	210-00163	NUT HEX 1" - 8 NC
5	1	210-00280	FLAT WASHER - 1"
6	10	210-00878	SOCKET HD CAP SCREW NC
7	10	210-00113	SCREW CAP HEX HD NC GR 8



Bright Forklift

BD3-7570 with V3800 engine (S/N 32 and up)

SECTION 3

POWERTRAIN CIRCUITS

CONTENTS

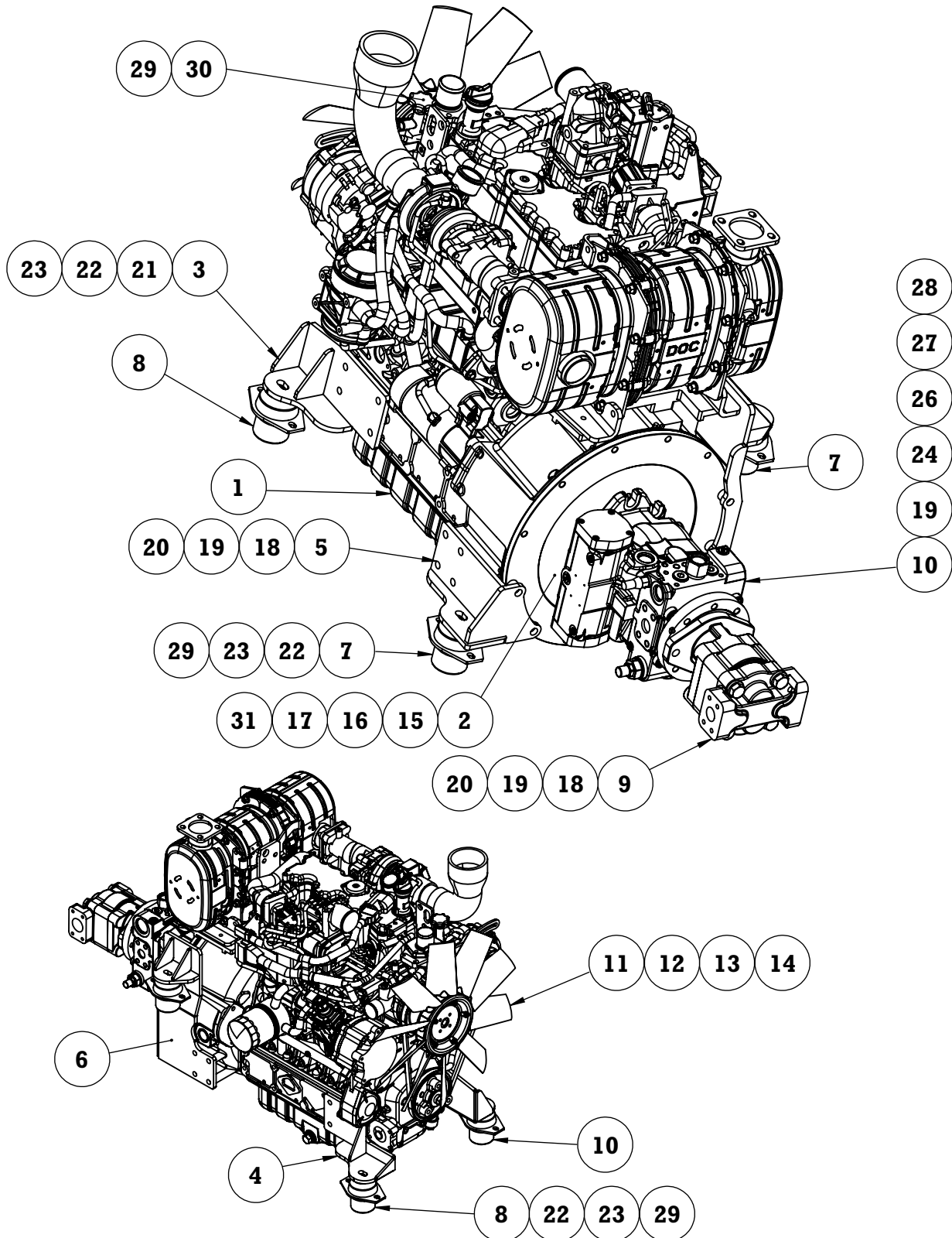
POWER TRAIN ASSEMBLY (097-25422).....	3-2
EXHAUST CIRCUIT ASSEMBLY (097-25421).....	3-4
AIR CLEANER CIRCUIT (097-25424)	3-6
COOLING CIRUIT ASSEMBLY (097-25423).....	3-8



Bright Forklift

BD3-7570 with V3800 engine (S/N 32 and up)

POWER TRAIN ASSEMBLY (097-25422)





Bright Forklift

BD3-7570 with V3800 engine (S/N 32 and up)

POWER TRAIN ASSEMBLY (097-25422)

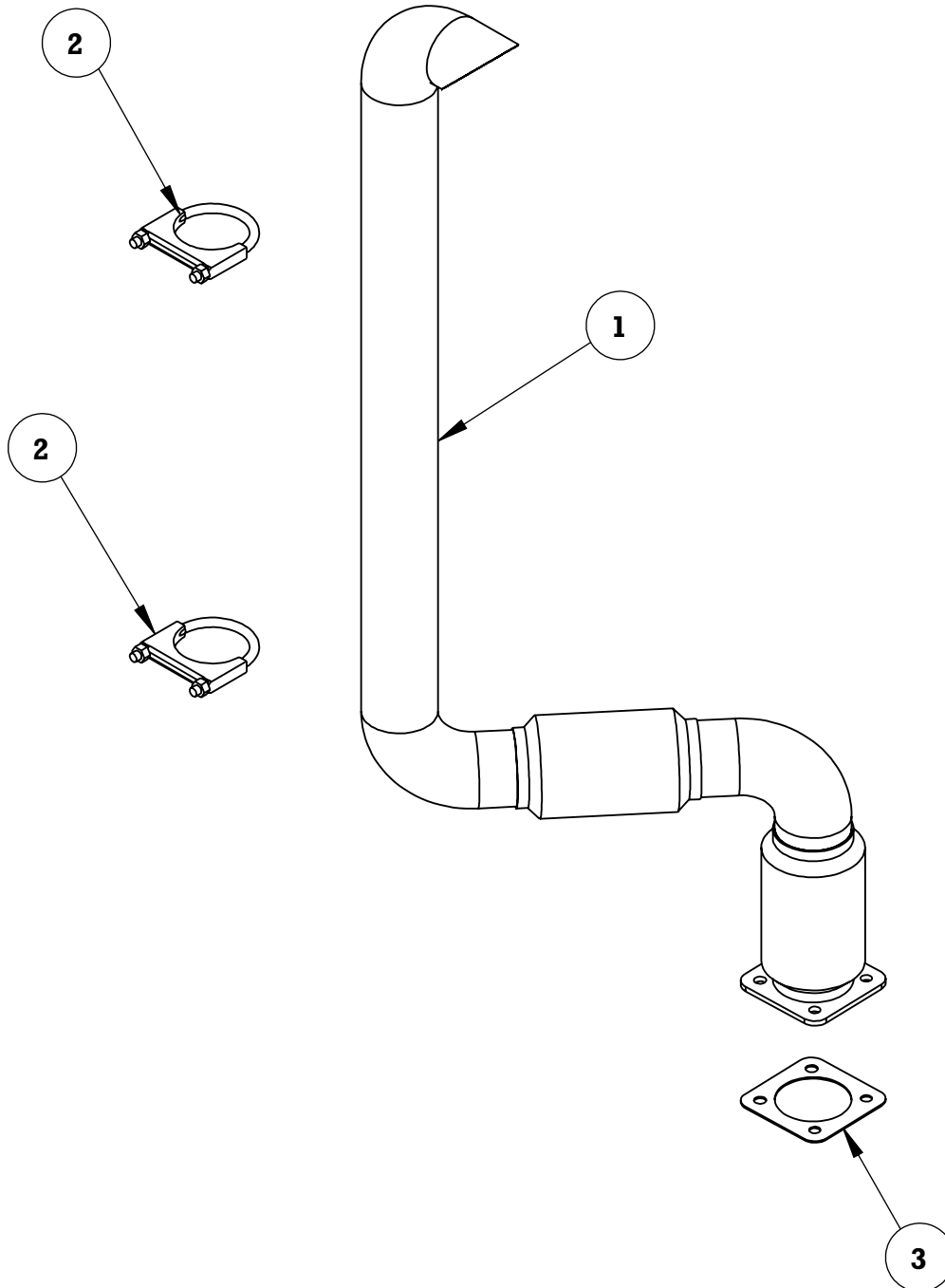
ITEM	QTY.	PART NUMBER	DESCRIPTION
1	1	097-24373	KUBOTA V3800 ENGINE
2	-	097-20978	HAYES COUPLER - SAE 3_125605
3	1	097-25417	ENGINE SUPPORT - RIGHT FRONT - V3800 MOTOR
4	1	097-25418	ENGINE SUPPORT - LEFT FRONT - V3800 MOTOR
5	1	097-25419	ENGINE SUPPORT - RIGHT REAR - V3800 MOTOR
6	1	097-25420	ENGINE SUPPORT - LEFT REAR - V3800 MOTOR
7	2	097-24262	HYDRO MOUNT (ANTI-VIBRATION ENGINE MOUNT - 60SH)
8	2	097-20841	HYDRO MOUNT (ANTI-VIBRATION ENGINE MOUNT - 50SH)
9	1	097-24102	HYDRAULIC GEAR PUMP
10	1	097-24227	HYDROSTATIC PUMP
11	1	097-24230	MULTI-WING M16842 10 BLADE FAN ASSEMBLY
12	1	097-20980	ENGINE FAN SPACER - 1-1/2" (V3800 ENGINE)
13	4	097-20981	SOCKET HEAD CAP SCREW - M8 - 1.25 X 40MM
14	4	210-00362	HEX HEAD BOLT - M6 X1.0 X 25MM
15	5	210-00087	3/8-16 X 2 , GR8
16	7	210-00075-8	3/8-16 X 1-1/4, GR8
17	12	210-00284	3/8 LOCK WASHER
18	10	210-00018	HEX HEAD BOLT - 1/2"-13NC X 1-1/2, GR8
19	16	210-00282-8	FLAT WASHER - 1/2" SAE, GR8
20	10	210-00311	LOCK WASHER - 1/2" GR8
21	8	210-00056-01	M12 X 1.25 X 35MM
22	12	210-00372	M12 WASHER
23	12	210-00346	M12 LOCK WASHER
24	4	210-00018	HEX HEAD BOLT 1/2-13 X1-1/2
26	2	210-00888	HEX HEAD BOLT - ALL THREAD 5/8-11 X 2-1/2
27	4	210-00367	FLAT WASHER - 5/8 SAE, GR8
28	2	210-00201-8	HEX NUT - 5/8 NYLOCK, GR8
28	4	210-00606-01	M12 X 1.75 X 35MM
29	1	330-00578.1	M/F 90° ELBOW 3/8 X 3/8
30	1	098-00786	HEATER VALVE
31	8	210-00916	SOCKET HEAD CAP SCREW - 3/8-16 X 3/4" LG



Bright Forklift

BD3-7570 with V3800 engine (S/N 32 and up)

EXHAUST CIRCUIT ASSEMBLY (097-25421)





Bright Forklift

BD3-7570 with V3800 engine (S/N 32 and up)

EXHAUST CIRCUIT ASSEMBLY (097-25421)

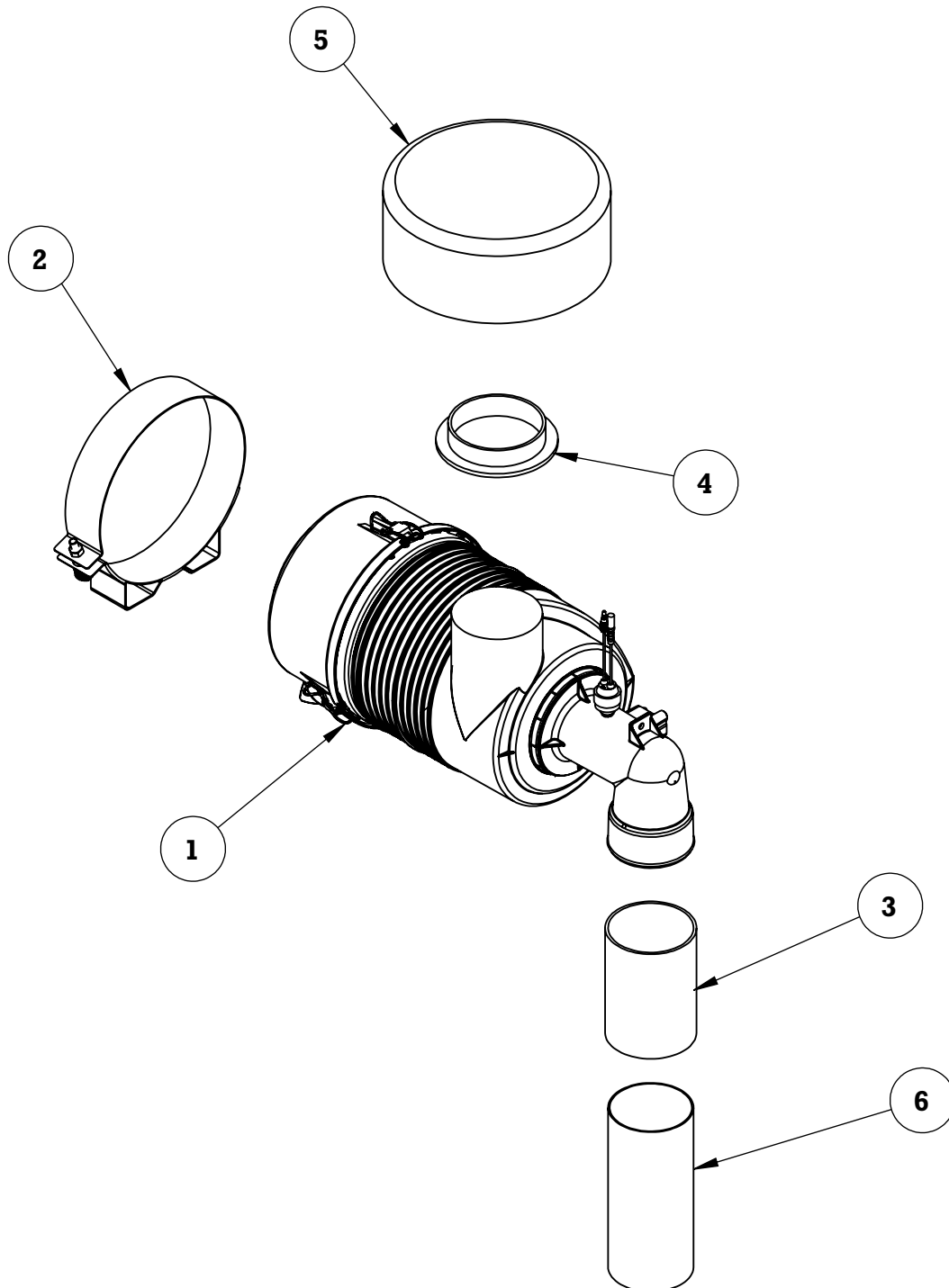
ITEM	QTY.	PART NUMBER	DESCRIPTION
1	1	097-25425	EXHAUST PIPE WELDMENT V3800 ENGINE
2	2	097-20487	2-1/2" ZINC PLATED MUFFLER CLAMP
3	-	097-24392	EXHAUST FLANGE GASKET



Bright Forklift

BD3-7570 with V3800 engine (S/N 32 and up)

AIR CLEANER CIRCUIT (097-25424)





Bright Forklift

BD3-7570 with V3800 engine (S/N 32 and up)

AIR CLEANER CIRCUIT (097-25424)

ITEM	QTY.	PART NUMBER	DESCRIPTION
1	REF	097-24902	AIR CLEANER
2	REF	097-20964	AIR CLEANER CLAMP
	REF	097-20965	AIR CLEANER OUTER ELEMENT
	REF	097-20966	AIR CLEANER INNER ELEMENT
	REF	097-20967	VACUATOR VALVE
	REF	097-20968	END COVER ASSEMBLY
	REF	09720969	END COVER CLAMP ONLY
3	REF	097-20822	RUBBER STRAIGHT COUPLING
4	1	098-01167	INSERT SLEEVE REDUCER - 4" TO 3-3/4"
5	1	098-00824	PRE-CLEANER
6	1	097-20977	INTAKE TUBE V3800 ENGINE

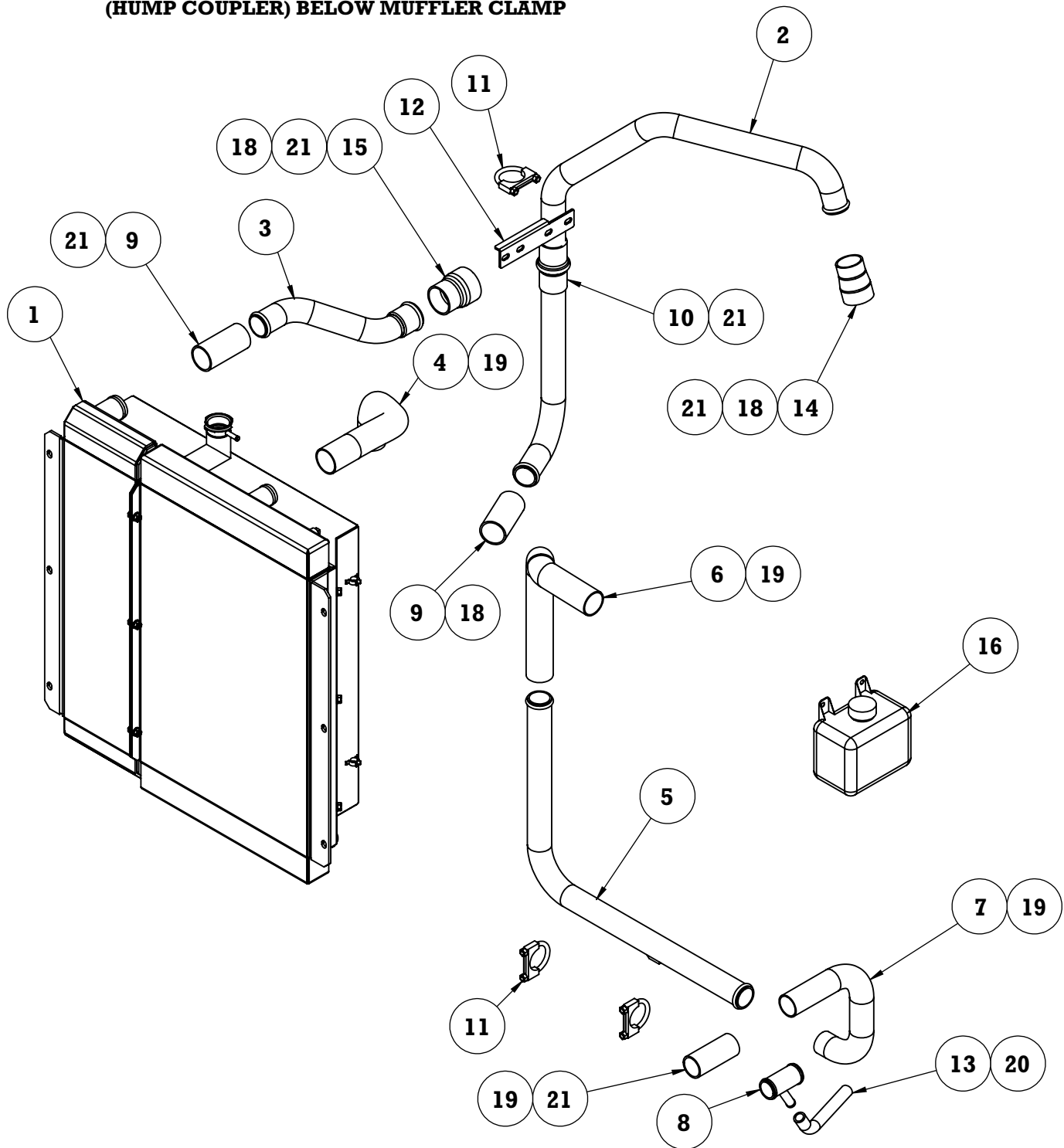


Bright Forklift

BD3-7570 with V3800 engine (S/N 32 and up)

COOLING CIRCUIT ASSEMBLY (097-25423)

**CUT ITEM #2 (LOWER CAC PIPE)
TO REMOVE 1" TO INSTALL ITEM #11
(HUMP COUPLER) BELOW MUFFLER CLAMP**





Bright Forklift

BD3-7570 with V3800 engine (S/N 32 and up)

COOLING CIRCUIT ASSEMBLY (097-25423)

ITEM	QTY.	PART NUMBER	DESCRIPTION
1	1	097-24379	RADIATOR WITH CAC - BD3-7570 (V3800 ENGINE)
2	1	097-24383	LOWER CAC CENTER PIPE
3	1	097-24384	UPPER CAC CENTER PIPE
4	1	097-24385	UPPER RADIATOR HOSE (1.5 TO 1-3/4 DIA X 15")
5	1	097-24388	LOWER RADIATOR HOSE INTERFACE TUBE
6	1	097-24386	LOWER RADIATOR HOSE FROM INTERFACE PIPE (1-3/4 X 1-3/4 X 18-3/4 LENGTH)
7	1	097-24387	LOWER RADIATOR HOSE TO INTERFACE PIPE (1-1/2" X 1-3/4 X 19-1/2 LENGTH)
8	1	097-24314	"Y" FITTING - 1-1/2" RAD. HOSE TO 5/8" HEATER HOSE
9	2	097-24265-01	CAC RUBBER END - RADIATOR SIDE
10	1	097-24316	HUMP COUPLER - 4"
11	3	097-20370	1-3/4" ZINC PLATED MUFFLER CLAMP
12	1	097-24267	CAC CLAMP BRACKET
13	15 FT.	330-00408	HEATER HOSE
14	1	097-24390	LOWER CAC RUBBER END - ENGINE SIDE
15	1	097-24391	UPPER CAC RUBBER END - ENGINE SIDE
16	1	097-20805A	COOLANT TANK
17	2	210-00453	T-BOLT CLAMP 2-1/8" X 2-3/8"
18	8	850-00563	HOSE CLAMP 13/16 X 1-3/4
19	4	850-00560	HOSE CLAMP 9/16 X 1-1/16
20	8	370-00026	T-BOLT CLAMP 1-7/8 X 2-3/16
21	1	097-24318	RADIATOR HOSE COUPLER - SHORT

NOTE: UPPER HEATER HOSE (HOT SIDE): 96" LENGTH LOWER HEATER HOSE (COLD SIDE): 83" LENGTH



Bright Forklift

BD3-7570 with V3800 engine (S/N 32 and up)

SECTION 4

FORKLIFT CIRCUITS

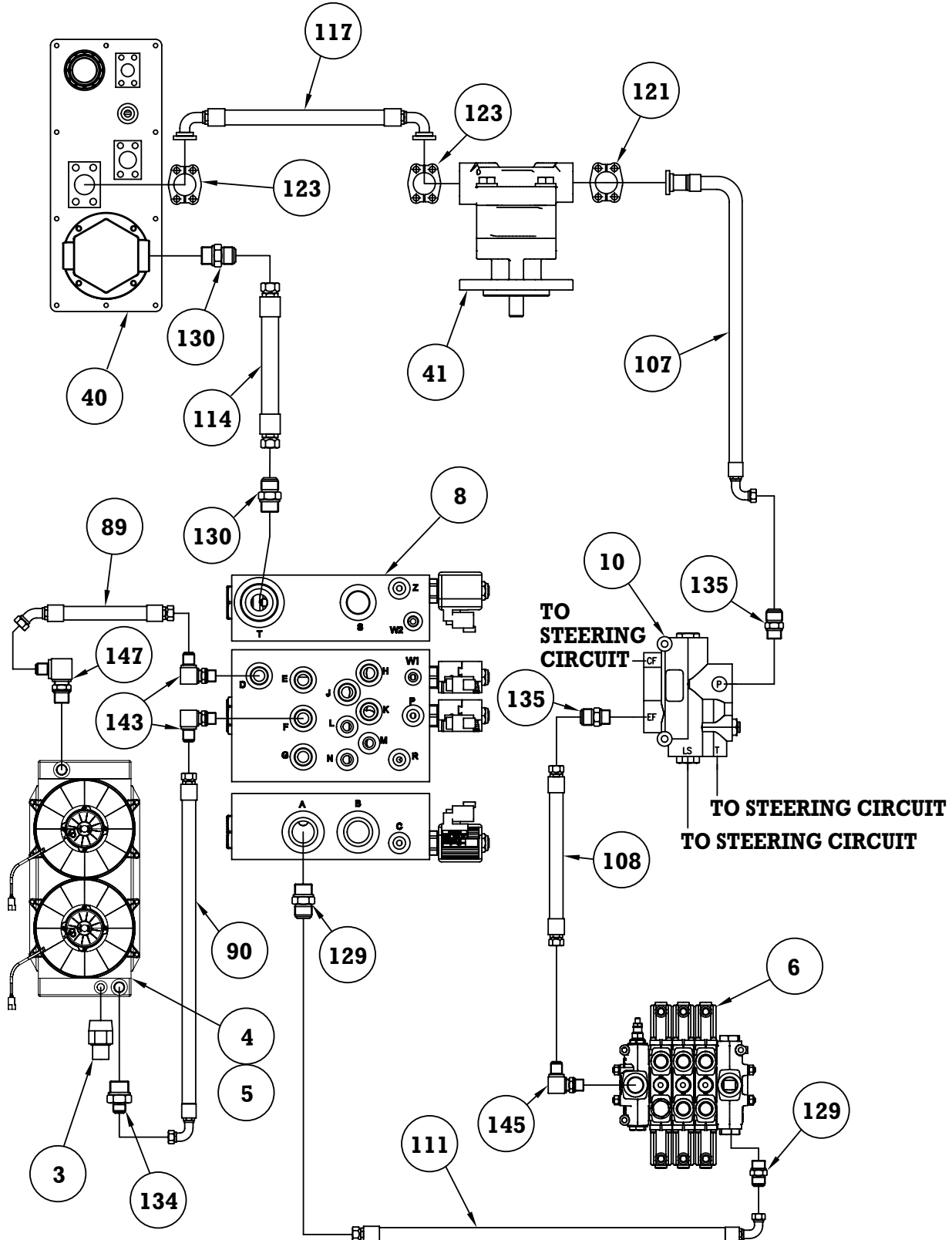
CONTENTS

HYDRAULIC CIRCUIT (097-25510)	4-2
MAIN CIRCUIT	4-2
DRIVE CIRCUIT 1 OF 2 - (PUMP).....	4-3
DRIVE CIRCUIT 2 OF 2 - (MOTORS)	4-4
PARKING BRAKE & FNR CIRCUITS.....	4-5
JOYSTICK & DIVERter VALVE CIRCUITS.....	4-6
STEERING CIRCUIT	4-7
LIFT CIRCUIT	4-8
TILT CIRCUIT	4-9
SIDESHIFT CIRCUIT	4-10
HYDRAULIC CIRCUIT PARTS DESCRIPTIONS BY ITEM NUMBER	4-11
HYDRAULIC TOP TANK ASSEMBLY (097-25513)	4-16
HYDRAULIC TANK ASSEMBLY (097-25514)	4-18
DRIVE BLOCK ASSEMBLY (097-25516).....	4-20
MANIFOLD BLOCK ASSEMBLY (097-25517)	4-22
FUEL CIRCUIT (097-25520).....	4-24
ELECTRICAL CIRCUIT WITH POWER DIST BOX (097-25560PD)	4-27
ELECTRIC BOX ASSEMBLY (097-25541).....	4-28
LOL SENSOR ASSEMBLY (097-25565)	4-30
HYDRAULIC FLUID LEVEL SHUTOFF SENSOR (098-21541)	4-32

Bright Forklift

BD3-7570 with V3800 engine (S/N 32 and up)

MAIN CIRCUIT

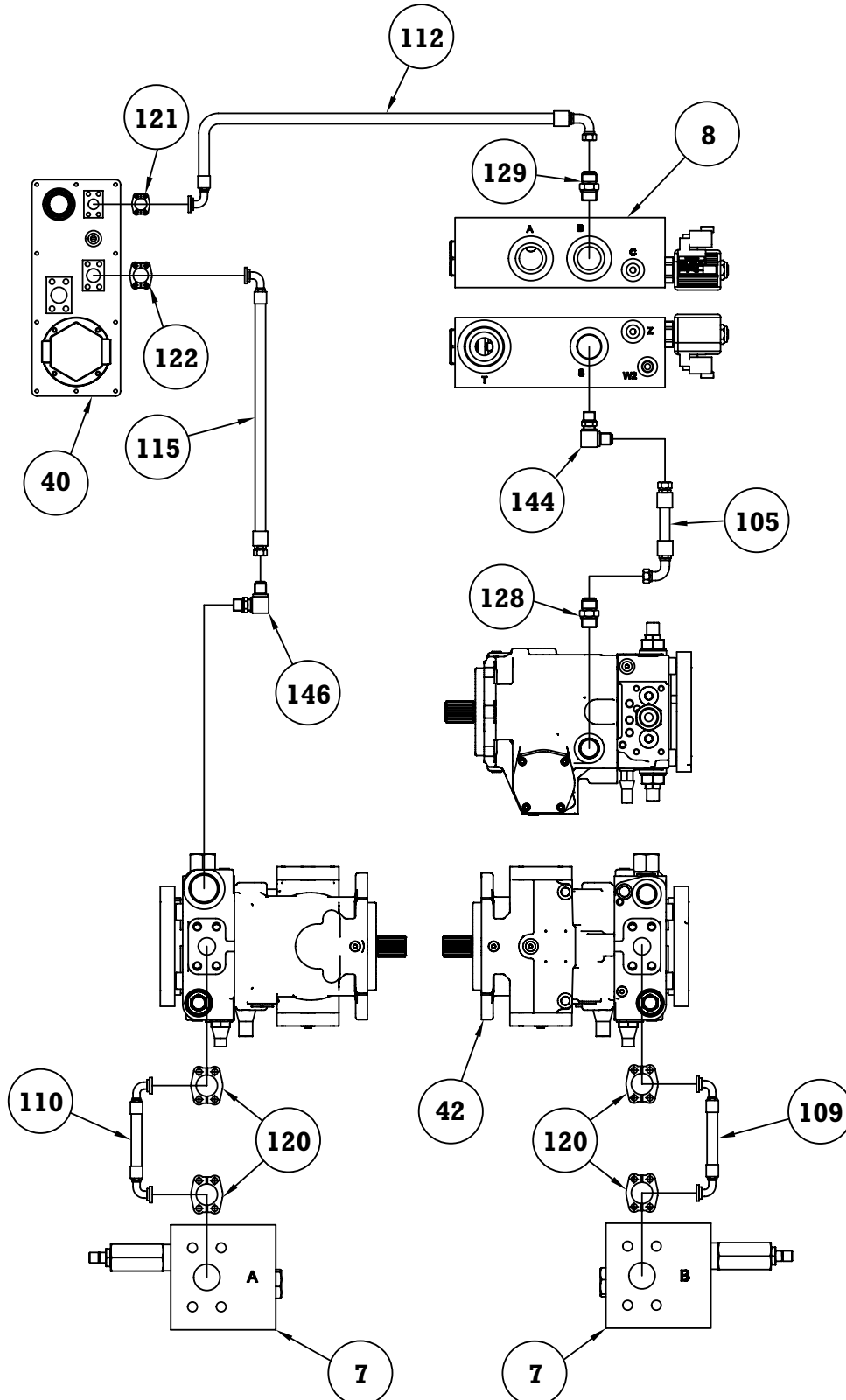




Bright Forklift

BD3-7570 with V3800 engine (S/N 32 and up)

DRIVE CIRCUIT 1 OF 2 - (PUMP)

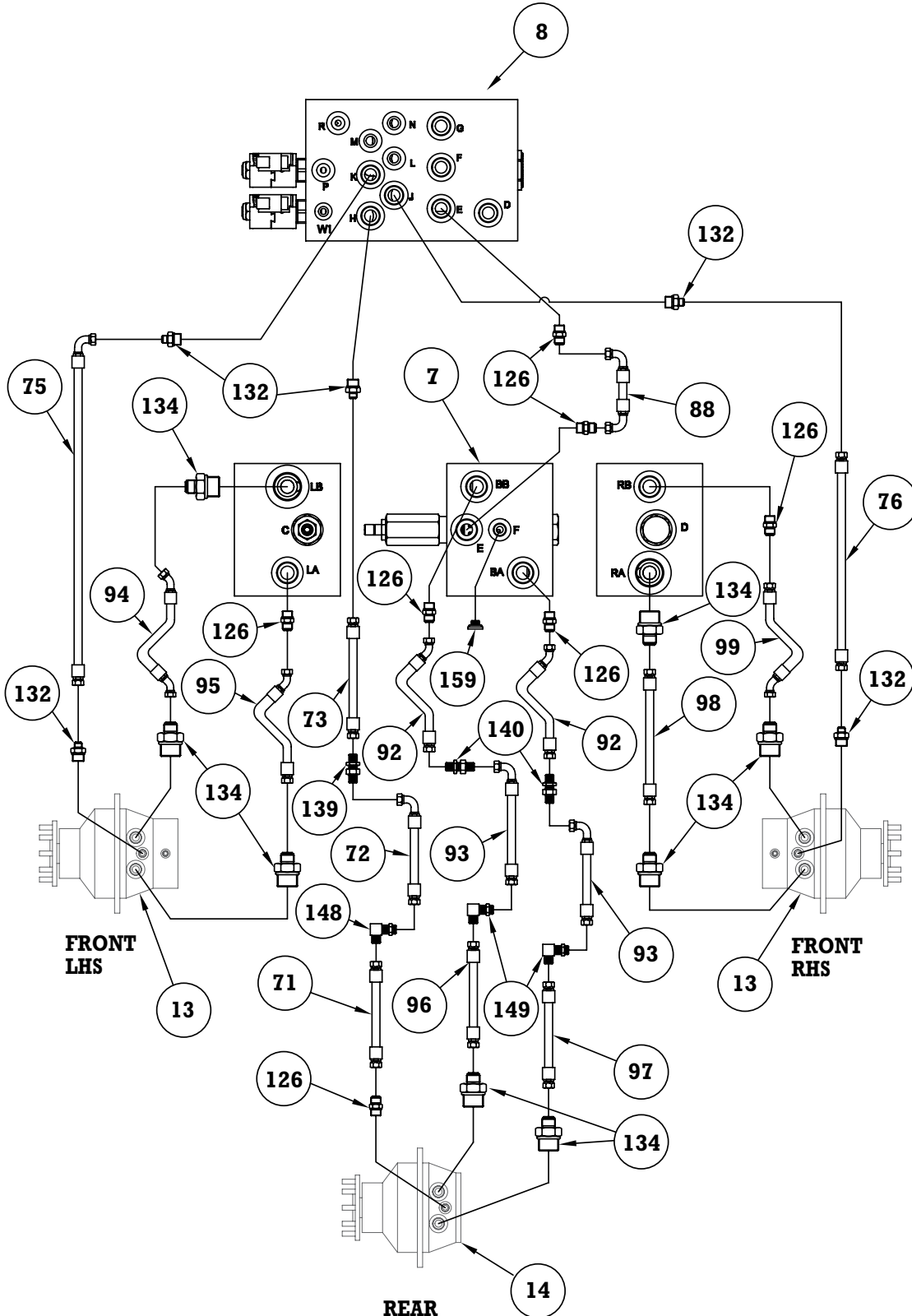




Bright Forklift

BD3-7570 with V3800 engine (S/N 32 and up)

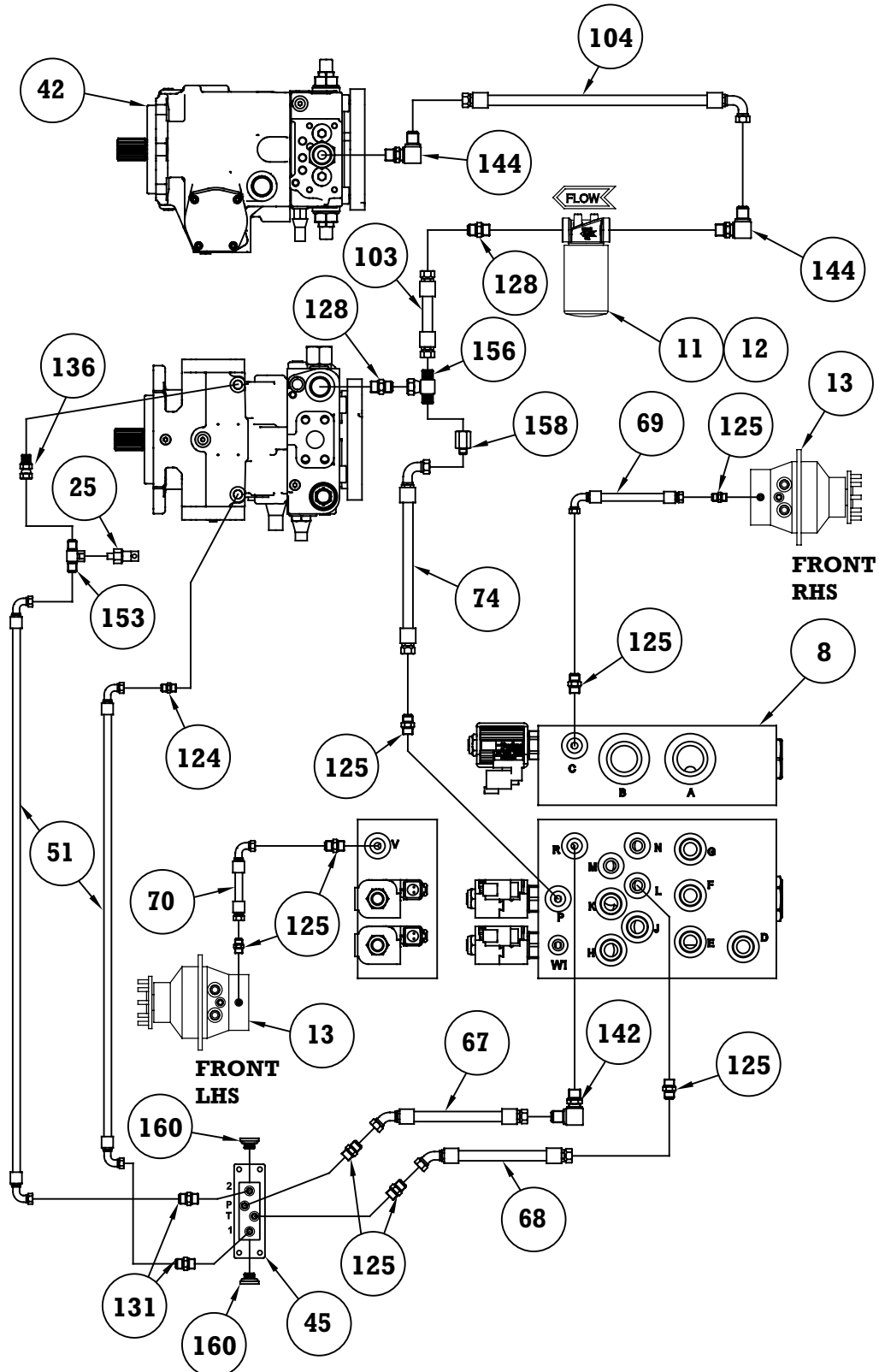
DRIVE CIRCUIT 2 OF 2 - (MOTORS)



Bright Forklift

BD3-7570 with V3800 engine (S/N 32 and up)

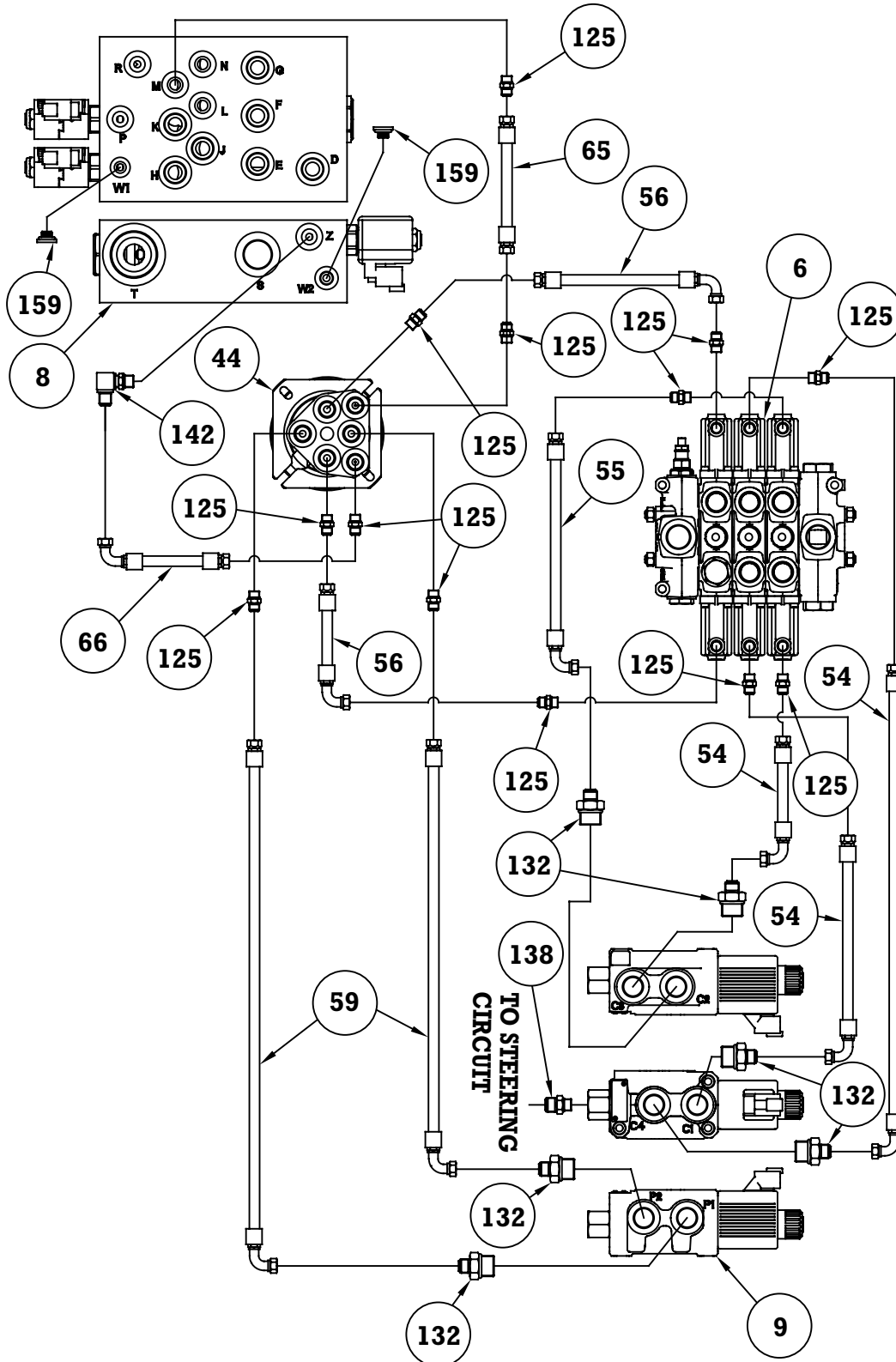
PARKING BRAKE & FNR CIRCUITS



Bright Forklift

BD3-7570 with V3800 engine (S/N 32 and up)

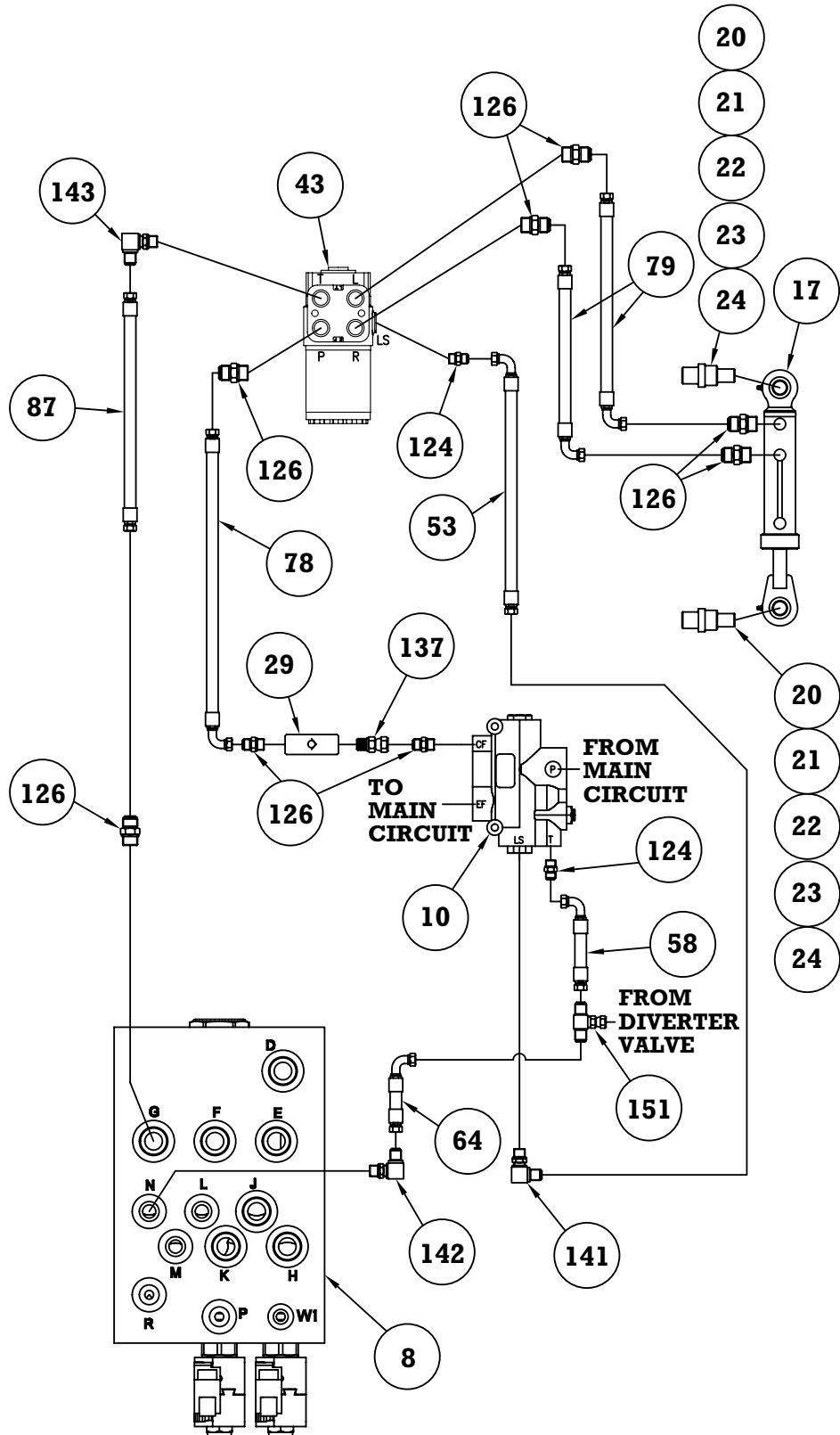
JOYSTICK & DIVERTER VALVE CIRCUITS



Bright Forklift

BD3-7570 with V3800 engine (S/N 32 and up)

STEERING CIRCUIT

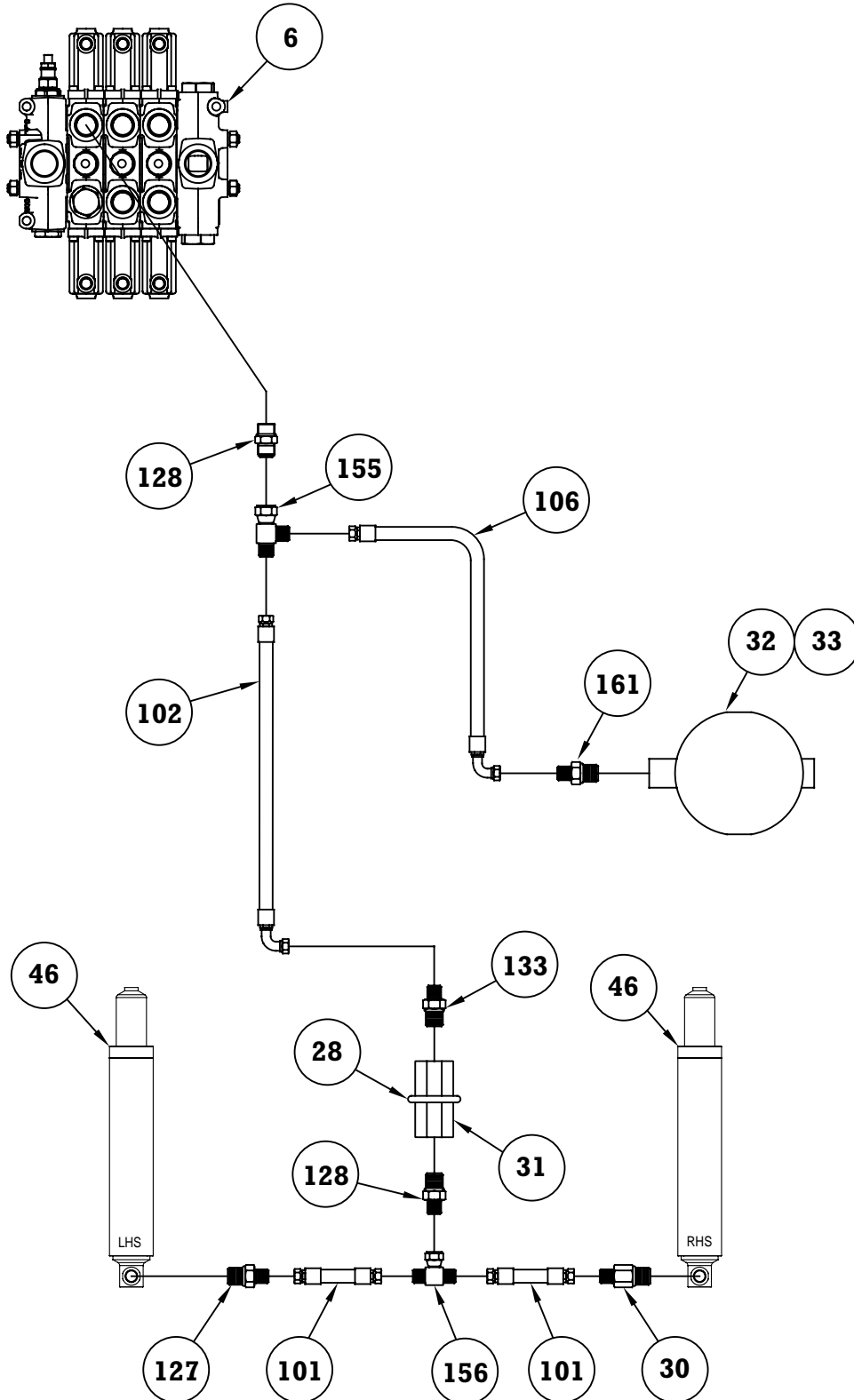




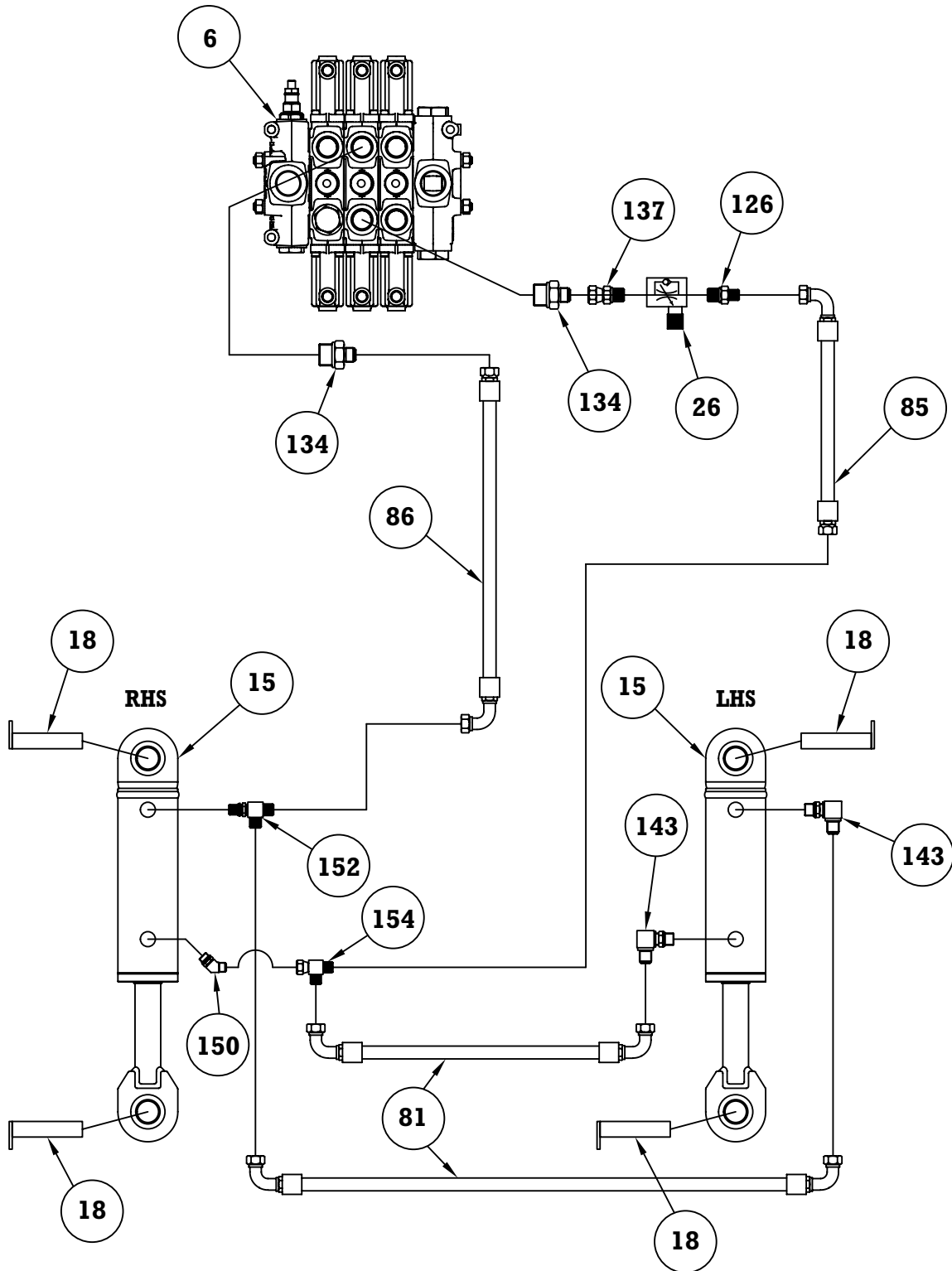
Bright Forklift

BD3-7570 with V3800 engine (S/N 32 and up)

LIFT CIRCUIT



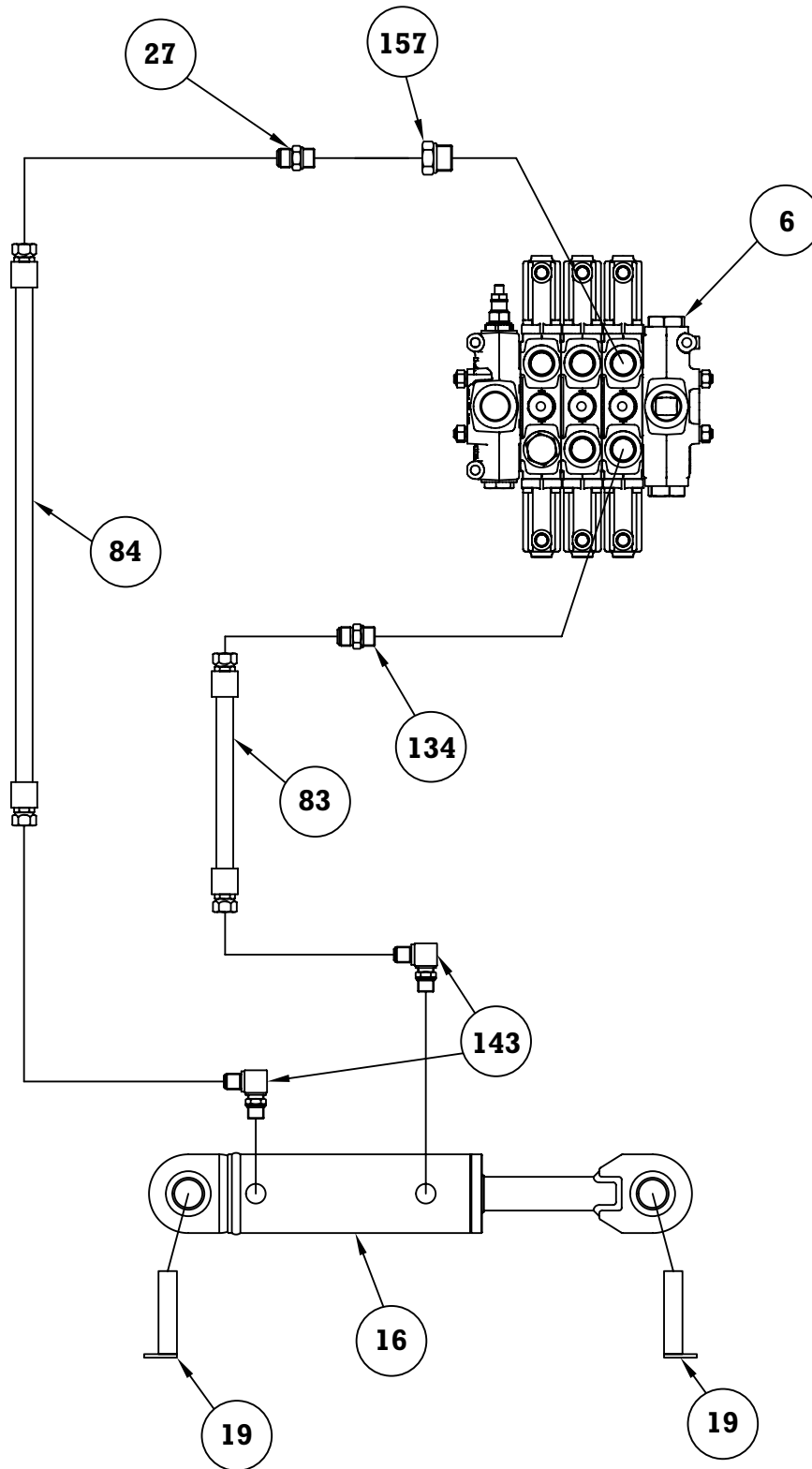
TILT CIRCUIT



Bright Forklift

BD3-7570 with V3800 engine (S/N 32 and up)

SIDESHIFT CIRCUIT





Bright Forklift

BD3-7570 with V3800 engine (S/N 32 and up)

HYDRAULIC CIRCUIT PARTS DESCRIPTIONS BY ITEM NUMBER

ITEM	QTY.	PART NUMBER	DESCRIPTION
1	1	097-24300	HOSE KIT
2	1	097-24301	ADAPTER KIT
3	1	097-20289	TEMPERATURE SWITCH
4	1	097-21519	OIL COOLER WITH CONNECTOR
5	1	097-20809	OIL COOLER SUPPORT
6	1	097-24103	3-SECTION CONTROL VALVE
7	1	097-25516	MANIFOLD BLOCK ASSEMBLY (TRACTION)
8	1	097-25517	MANIFOLD BLOCK ASSEMBLY (EXCLUDING TRACTION)
9	1	097-24105	DIVERTER VALVE
10	1	098-01496	PRIORITY VALVE
11	1	097-20286	PRESSURE FILTER HEAD
12	1	097-20287	PRESSURE FILTER ELEMENT
13	2	097-24226	DRIVE MOTOR W/ BRAKE
14	1	097-00034	DRIVE MOTOR W/O BRAKE
15	2	097-24008	TILT CYLINDER
16	1	097-24009	SIDE SHIFT CYLINDER
17	1	097-24010	STEERING CYLINDER
18	4	097-25515	TILT CYLINDER PIN
19	2	097-21513	SIDE SHIFT CYLINDER PIN
20	1	097-24011	STEERING CYLINDER PIN
21	2	097-20188	SPECIAL WASHER
22	2	210-00022	BOLT, HEX - 1/2" - 13 NC X 1" LG. GR. 8
23	2	210-00163	NUT, 1" - 8 NC
24	2	210-00280	WASHER, FLAT - 1"
25	1	097-20364	BACKUP ALARM SWITCH
26	1	330-00630	FLOW SWITCH
27	1	330-00837	ORIFICE FITTING
28	1	210-00271	U-BOLT
29	1	810-00272	CHECK VALVE
30	1	097-24329	VELOCITY FUSE
31	1	097-24330	REGULATOR
32	1	098-01636	ACCUMULATOR



Bright Forklift

BD3-7570 with V3800 engine (S/N 32 and up)

HYDRAULIC CIRCUIT PARTS DESCRIPTIONS BY ITEM NUMBER

ITEM	QTY.	PART NUMBER	DESCRIPTION
33	1	097-24361	CLAMP
34			
35			
36			
37			
38			
39			
40	1	097-25514	HYDRAULIC TANK ASSEMBLY
41	1	097-24102	HYDRAULIC GEAR PUMP
42	1	097-24227	HYDROSTATIC PUMP
43	1	097-24064	STEERING UNIT
44	1	097-24104	JOYSTICK W/ PUSH BUTTON
45	1	097-25204	FNR ASSEMBLY
46	2	098-00386	LIFT CYLINDER
47			
48			
49			
50			
51	2	097-24300-01	1/4" HOSE (HYDROSTATIC PUMP TO FNR VALVE)
52			
53	1	097-24300-03	1/4" HOSE (STEERING "LS" TO PRIORITY VALVE "LS")
54	3	097-24300-04	1/4" HOSE (CONTROL VALVE TO DIVERTER VALVE "B", "C" & "D")
55	1	097-24300-05	1/4" HOSE (CONTROL VALVE TO DIVERTER VALVE "A")
56	2	097-24300-06	1/4" HOSE (JOYSTICK TO CONTROL VALVE)
57			
58	1	097-24300-08	1/4" HOSE (PRIORITY VALVE "T" TO TEE FROM DIVERTER)
59	2	097-24300-09	1/4" HOSE (JOYSTICK TO DIVERTER VALVE "P1", "P2")
60			
61			
62			
63			
64	1	097-24300-17	3/8" HOSE (TEE FROM DIVERTER VALVE TO MANIFOLD BLOCK "N")



Bright Forklift

BD3-7570 with V3800 engine (S/N 32 and up)

HYDRAULIC CIRCUIT PARTS DESCRIPTIONS BY ITEM NUMBER

ITEM	QTY.	PART NUMBER	DESCRIPTION
65	1	097-24300-18	3/8" HOSE (JOYSTICK TO MANIFOLD BLOCK "M")
66	1	097-24300-19	3/8" HOSE (JOYSTICK TO MANIFOLD BLOCK "W")
67	1	097-24300-20	3/8" HOSE (FNR "P" TO MANIFOLD BLOCK "R")
68	1	097-24300-21	3/8" HOSE (FNR "T" TO MANIFOLD BLOCK "L")
69	1	097-24300-22	3/8" HOSE (FRONT RIGHT HAND SIDE MOTOR BRAKE TO MANIFOLD BLOCK "C")
70	1	097-24300-23	3/8" HOSE (FRONT LEFT HAND SIDE MOTOR BRAKE TO MANIFOLD BLOCK "V")
71	1	097-24300-24	3/8" HOSE (REAR MOTOR DRAIN TO BHEAD ELBOW)
72	1	097-24300-25	3/8" HOSE (REAR MOTOR DRAIN-BHEAD ELBOW TO STR)
73	1	097-24300-26	3/8" HOSE (REAR MOTOR DRAIN-BHEAD TO MANIFOLD BLOCK "H")
74	1	097-24300-27	3/8" HOSE (TEE AT PUMP Fa" TO MANIFOLD BLOCK "P")
75	1	097-24300-28	3/8" HOSE (FRONT LEFT HAND SIDE MOTOR DRAIN TO MANIFOLD BLOCK "K")
76	1	097-24300-29	3/8" HOSE (FRONT RIGHT HAND SIDE MOTOR DRAIN TO MANIFOLD BLOCK "J")
77			
78	1	097-24300-34	1/2" HOSE (STEERING VALVE "P" TO PRIORITY VALVE "CF")
79	2	097-24300-35	1/2" HOSE (STEERING VALVE TO STEERING CYLINDER)
80			
81	2	097-24300-37	1/2" HOSE (LEFT HAND SIDE TO RIGHT HAND SIDE TILT CYLINDER)
82			
83	1	097-24300-39	1/2" HOSE (CONTROL VALVE TO SIDESHIFT CYLINDER RETRACT)
84	1	097-24300-40	1/2" HOSE (CONTROL VALVE TO SIDESHIFT CYLINDER EXTEND)
85	1	097-24300-41	1/2" HOSE (CONTROL VALVE TO TILT FLOW CONTROL)
86	1	097-24300-42	1/2" HOSE (CONTROL VALVE TO RIGHT HAND SIDE TILT CYLINDER EXTEND)
87	1	097-24300-46	1/2" HOSE (STEERING "T" TO MANIFOLD BLOCK "G")
88	1	097-24300-47	1/2" HOSE (MANIFOLD BLOCK "E" TO DRIVE BLOCK "E")
89	1	097-24300-48	1/2" HOSE (COOLER TO MANIFOLD BLOCK "D")
90	1	097-24300-49	1/2" HOSE (COOLER TO MANIFOLD BLOCK "F")
91			
92	2	097-24300-54	1/2" HOSE (REAR-MOTOR UPPER BHEAD STR TO DRIVE BLOCK)
93	2	097-24300-55	1/2" HOSE (REAR MOTOR-BHEAD ELBOW TO BHEAD STR)
94	1	097-24300-56	1/2" HOSE (FRONT LEFT HAND SIDE MOTOR TOP TO DRIVE BLOCK "LB")
95	1	097-24300-57	1/2" HOSE (FRONT LEFT HAND SIDE MOTOR BOTTOM TO DRIVE BLOCK "LA")
96	1	097-24300-58	1/2" HOSE (REAR MOTOR TOP TO LOWER BHEAD ELBOW)



Bright Forklift

BD3-7570 with V3800 engine (S/N 32 and up)

HYDRAULIC CIRCUIT PARTS DESCRIPTIONS BY ITEM NUMBER

ITEM	QTY.	PART NUMBER	DESCRIPTION
97	1	097-24300-59	1/2" HOSE (REAR MOTOR BOTTOM TO UPPER BHEAD ELBOW)
98	1	097-24300-60	1/2" HOSE (FRONT RIGHT HAND SIDE MOTOR BOTTOM TO DRIVE BLOCK "RA")
99	1	097-24300-61	1/2" HOSE (FRONT RIGHT HAND SIDE MOTOR TOP TO DRIVE BLOCK "RB")
100			
101	2	097-24300-64	3/4" HOSE (MAST TEE TO LEFT HAND SIDE & RIGHT HAND SIDE LIFT CYLINDERS)
102	1	097-24300-65	3/4" HOSE (MAST LIFT REGULATOR TO CONTROL VALVE)
103	1	097-24300-67	3/4" HOSE (FILTER TO TEE AT HYDROSTATIC PUMP "Fa")
104	1	097-24300-68	3/4" HOSE (HYDROSTATIC PUMP "Fe" TO FILTER)
105	1	097-24300-70	3/4" HOSE (HYDROSTATIC PUMP TO MANIFOLD BLOCK "S")
106	1	097-24300-71	3/4" HOSE (CONTROL VALVE TO ACCUMULATOR)
107	1	097-24300-72	1" HOSE (HYDRAULIC GEAR PUMP TO PRIORITY VALVE "P")
108	1	097-24300-73	1" HOSE (PRIORITY VALVE "EF" TO CONTROL VALVE)
109	1	097-24300-75	1" HOSE (HYDROSTATIC PUMP TO DRIVE BLOCK "B")
110	1	097-24300-76	1" HOSE (HYDROSTATIC PUMP TO DRIVE BLOCK "A")
111	1	097-24300-78	1" HOSE (CONTROL VALVE TO MANIFOLD BLOCK "A")
112	1	097-24300-79	1" HOSE (HYDRAULIC TANK TO MANIFOLD BLOCK "B")
113			
114	1	097-24300-82	1-1/4" HOSE (HYDRAULIC RETURN FILTER TO MANIFOLD BLOCK "T")
115	1	097-24300-83	1-1/4" HOSE (HYDRAULIC TANK TO HYDROSTATIC PUMP)
116			
117	1	097-24300-86	1-1/2" HOSE (HYDRAULIC TANK TO HYDRAULIC GEAR PUMP)
118			
119			
120	4	330-00339	SPLIT FLANGE KIT - 1" (CODE 62)
121	2	330-00672	SPLIT FLANGE KIT - 1" (CODE 61)
122	1	330-00820	SPLIT FLANGE KIT - 1-1/4" (CODE 61)
123	1	330-00673	SPLIT FLANGE KIT - 1-1/2" (CODE 61)
124	3	330-00042	STRAIGHT THREAD CONNECTOR (#4 ORB - #4 JIC)
125	21	330-00043	STRAIGHT THREAD CONNECTOR (#6 ORB - #6 JIC)
126	14	330-00046	STRAIGHT THREAD CONNECTOR (#8 ORB - #8 JIC)
127	1	330-00347	STRAIGHT THREAD CONNECTOR (#10 ORB - #10 JIC)
128	8	330-00037	STRAIGHT THREAD CONNECTOR (#12 ORB - #12 JIC)
129	3	330-00237	STRAIGHT THREAD CONNECTOR (#16 ORB - #16 JIC)



Bright Forklift

BD3-7570 with V3800 engine (S/N 32 and up)

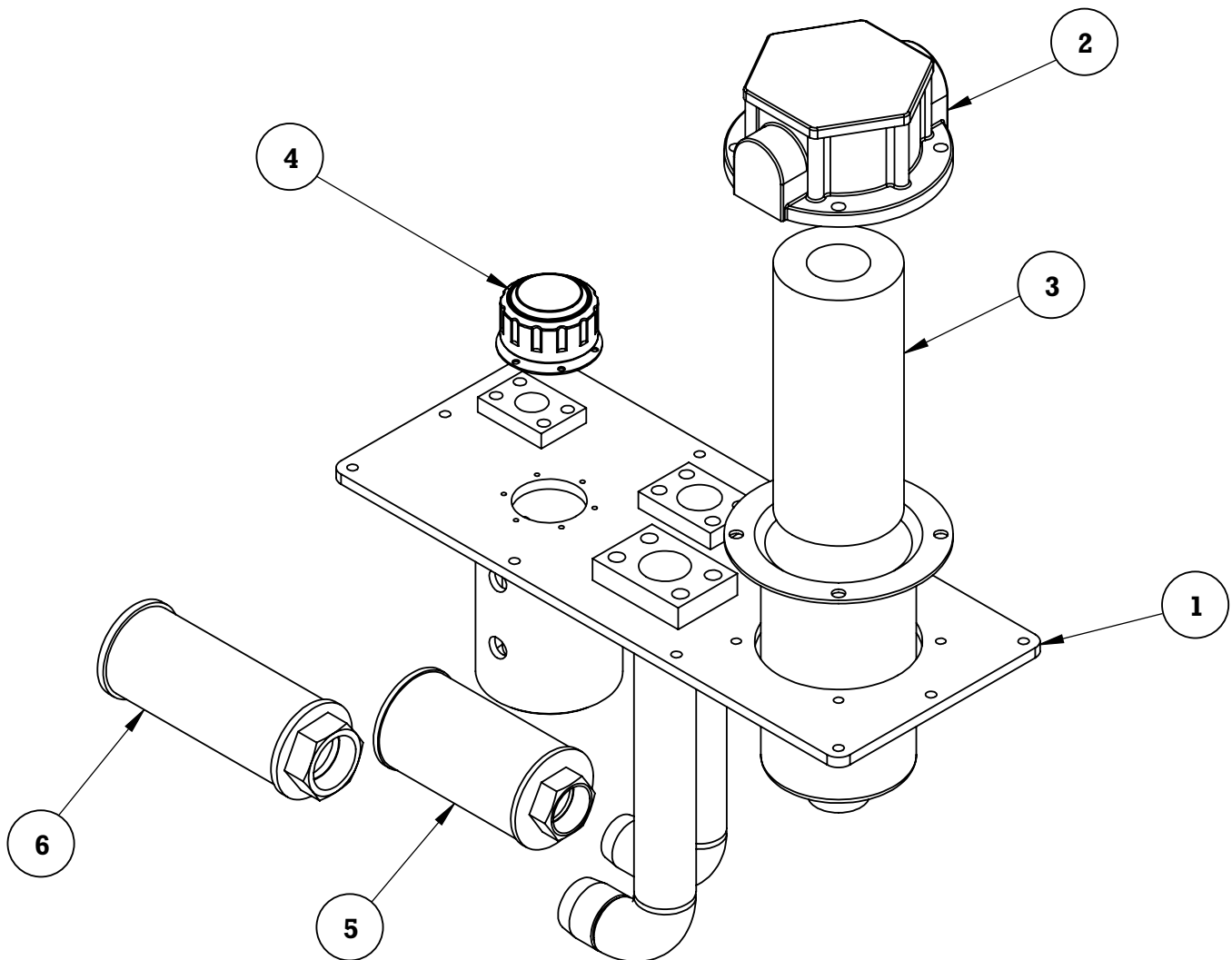
ITEM	QTY.	PART NUMBER	DESCRIPTION
130	2	330-00611	STRAIGHT THREAD CONNECTOR (#20 ORB - #20 JIC)
131	2	330-00665	STRAIGHT THREAD CONNECTOR (#6 ORB - #4 JIC)
132	11	330-00045	STRAIGHT THREAD CONNECTOR (#8 ORB - #6 JIC)
133	1	330-00033	STRAIGHT THREAD CONNECTOR (#10 ORB - #12 JIC)
134	12	330-00039	STRAIGHT THREAD CONNECTOR (#12 ORB - #8 JIC)
135	2	330-00038	STRAIGHT THREAD CONNECTOR (#12 ORB - #16 JIC)
136	1	330-00664	SWIVEL STRAIGHT THREAD CONNECTOR (#4 ORB - #4 JIC)
137	2	330-00631	SWIVEL STRAIGHT THREAD CONNECTOR (#8 ORB - #8 JIC)
138	1	330-00564	SWIVEL STRAIGHT THREAD CONNECTOR (#4 ORB - #6 JIC)
139	1	330-00658	BULKHEAD UNION CONNECTOR (#6 ORB - #6 JIC)
140	2	330-00659	BULKHEAD UNION CONNECTOR (#8 ORB - #8 JIC)
141	1	330-00565	STRAIGHT THREAD ELBOW (#4 ORB - #4 JIC)
142	3	330-00114	STRAIGHT THREAD ELBOW (#6 ORB - #6 JIC)
143	7	330-00115	STRAIGHT THREAD ELBOW (#8 ORB - #8 JIC)
144	3	330-00108	STRAIGHT THREAD ELBOW (#12 ORB - #12 JIC)
145	1	330-00111	STRAIGHT THREAD ELBOW (#16 ORB - #16 JIC)
146	1	330-00112	STRAIGHT THREAD ELBOW (#20 ORB - #20 JIC)
147	1	330-00662	STRAIGHT THREAD ELBOW (#12 ORB - #8 JIC)
148	1	330-00317	BULKHEAD UNION ELBOW (#6 ORB - #6 JIC)
149	2	330-00105	BULKHEAD UNION ELBOW (#8 ORB - #8 JIC)
150	1	330-00562	STRAIGHT THREAD 45° ELBOW (#8 ORB - #8 JIC)
151	1	330-00774	SWIVEL NUT BRANCH TEE (#6 JICF - #6 JICM - #6 JICM)
152	1	330-00667	STRAIGHT THREAD RUN TEE (#8 ORB - #8 JIC - #8 JIC)
153	1	330-00657	FEMALE BRANCH TEE (#4 JIC - #4 JIC - #4 NPT)
154	1	330-00243	SWIVEL NUT RUN TEE (#8 JICF - #8 JICM - #8 JICM)
155	1	330-00733	SWIVEL NUT RUN TEE (#12 JICF - #12 JICM - #12 JICM)
156	2	330-00709	SWIVEL NUT BRANCH TEE (#12 JICM - #12 JICF - #12 JICM)
157	1	330-00311	STRAIGHT THREAD REDUCER M/F (#12 ORB - #8 ORB)
158	1	330-00831	STRAIGHT THREAD REDUCER F/M (#12 ORB - #8 ORB)
159	3	330-00669-1	HOLLOW HEX PLUG (#4 ORB)
160	2	330-00669	HOLLOW HEX PLUG (#6 ORB)
161	1	330-00230	STRAIGHT THREAD CONNECTOR (#8 ORB - #12 JIC)
162			



Bright Forklift

BD3-7570 with V3800 engine (S/N 32 and up)

HYDRAULIC TOP TANK ASSEMBLY (097-25513)





Bright Forklift

BD3-7570 with V3800 engine (S/N 32 and up)

HYDRAULIC TOP TANK ASSEMBLY (097-25513)

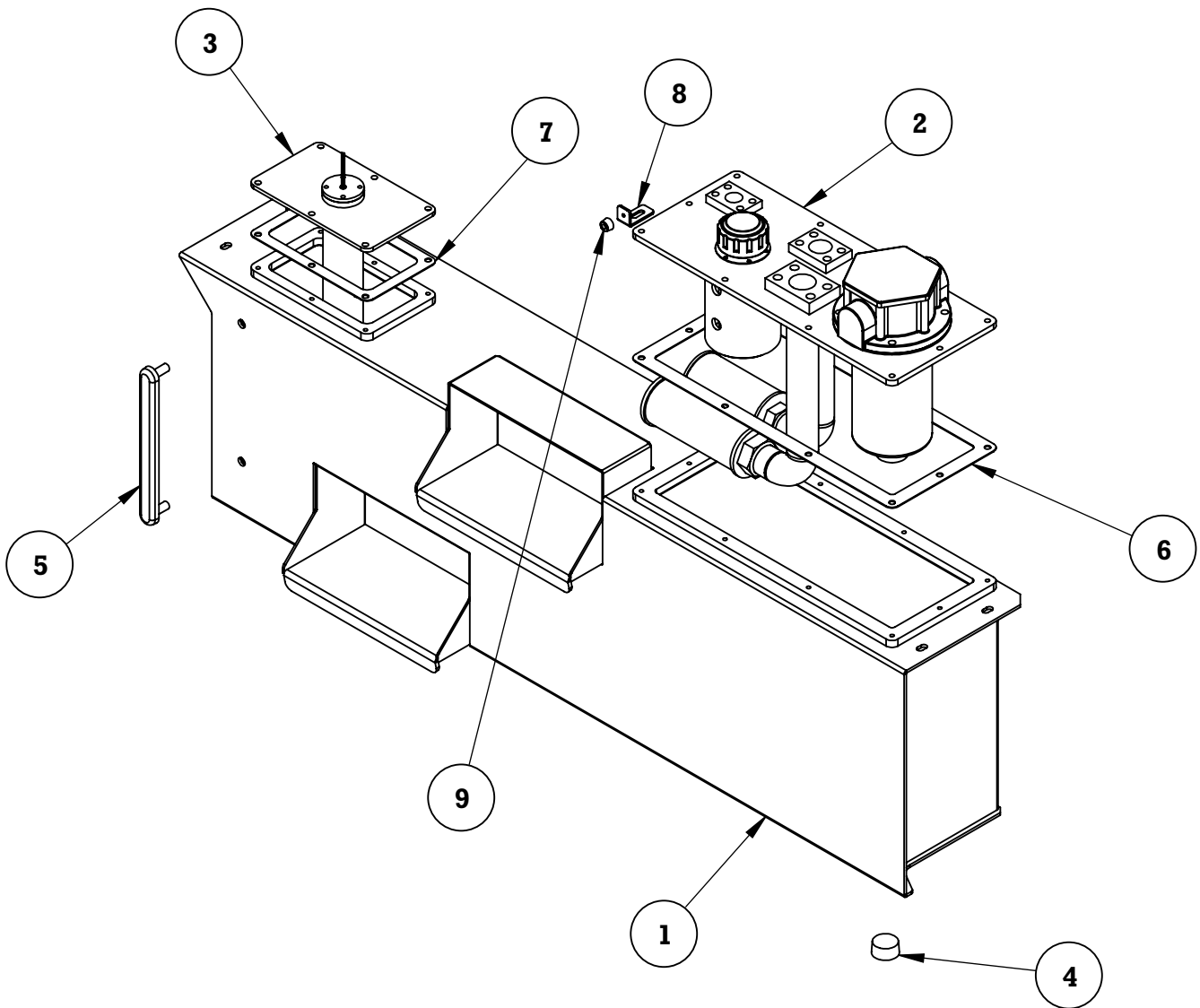
ITEM	QTY.	PART NUMBER	DESCRIPTION
1	1	097-25512	HYDRAULIC TOP TANK WELDMENT
2	1	097-24013	RETURN FILTER HEAD ASSEMBLY - SINGLE ELEMENT
3	1	097-24013E	RETURN FILTER ELEMENT
4	1	350-00016	FILLER BREATHER W/ NO BASKET
5	1	230-00056	SUCTION STRAINER
6	1	097-20191	TANK STRAINER



Bright Forklift

BD3-7570 with V3800 engine (S/N 32 and up)

HYDRAULIC TANK ASSEMBLY (097-25514)





Bright Forklift

BD3-7570 with V3800 engine (S/N 32 and up)

HYDRAULIC TANK ASSEMBLY (097-25514)

ITEM	QTY.	PART NUMBER	DESCRIPTION
1	1	097-25511	HYDRAULIC TANK WELDMENT (BD3-7570)
2	1	097-25513	HYDRAULIC TOP TANK ASS'Y (BD3-7570)
3	1	097-25565	LOL SENSOR ASSEMBLY
4	1	510-00218	PLUG PIPE SOCKET HD - MAGNETIC
5	1	097-00016	SIGHT GAUGE (HYD.)
6	1	097-24306	HYDRAULIC TOP TANK GASKET
7	1	098-01266	FUEL/HYDRAULIC TANK GASKET
8	1	097-24344	ACCESS DOOR STOP BRACKET
9	1	098-01170	RUBBER BUMPER

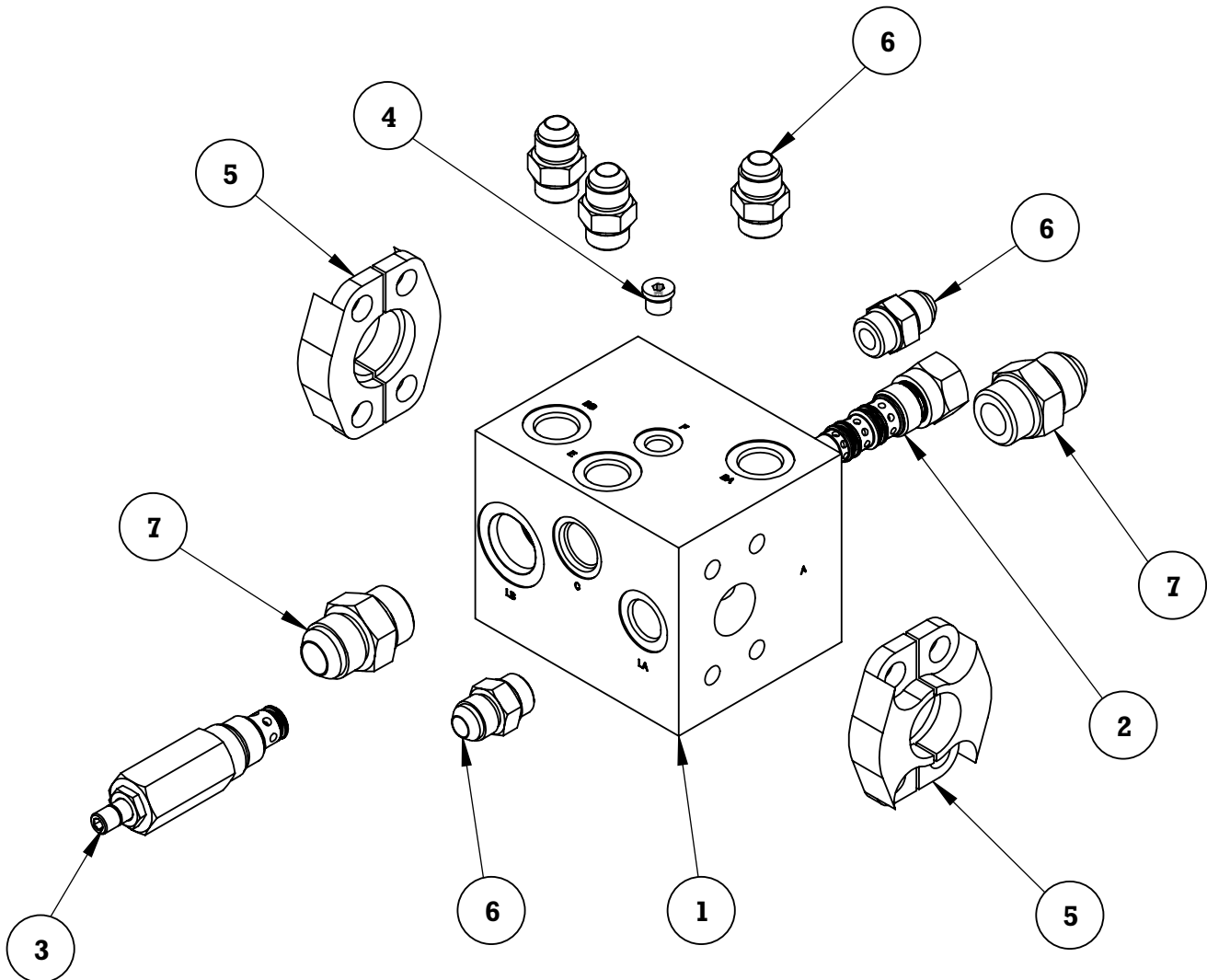
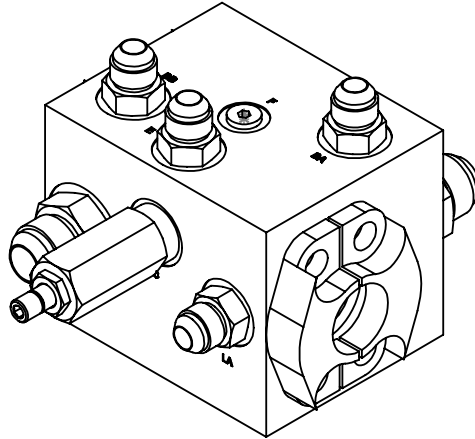
NOTE: OIL LEVEL DECAL (097-24328) TO BE PLACED 1" FROM TOP BLACK LINE TO ARROW (APPROX 4-1/2" FROM TOP OF TANK).



Bright Forklift

BD3-7570 with V3800 engine (S/N 32 and up)

DRIVE BLOCK ASSEMBLY (097-25516)





Bright Forklift

BD3-7570 with V3800 engine (S/N 32 and up)

DRIVE BLOCK ASSEMBLY (097-25516)

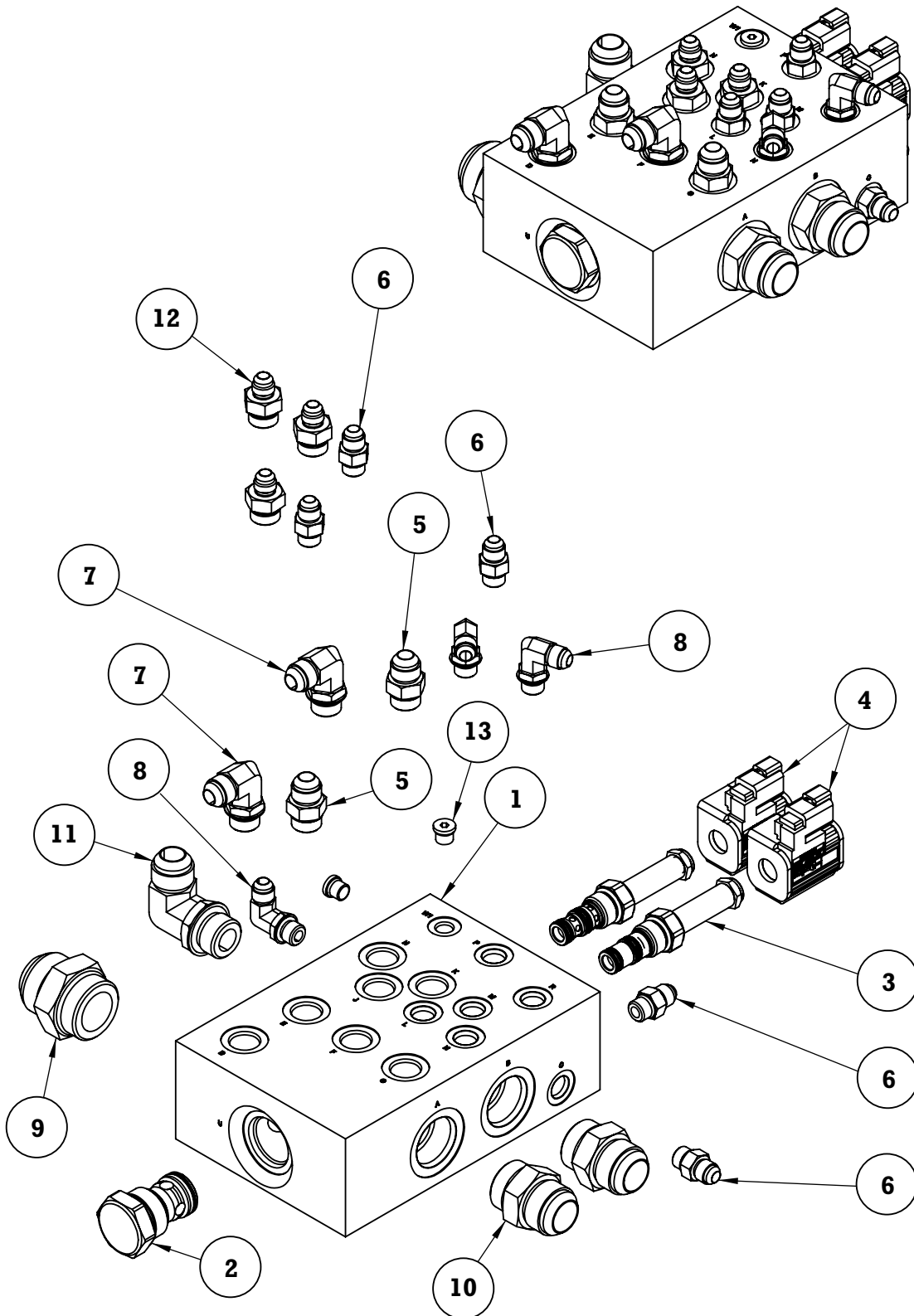
ITEM	QTY.	PART NUMBER	DESCRIPTION
1	1	097-24249	STEEL MANIFOLD BLOCK (TRACTION)
2	1	097-20336	SHUTTLE VALVE
3	1	097-20335	RELIEF VALVE
4	1	330-00669-1	SAE #4 HOLLOW HEX PLUG
5	2	330-00339	SPLIT FLANGE CLAMP KIT CODE 62 - SIZE 16 WITH 7/16-14 UNC BOLTS
6	5	330-00046	STRAIGHT ADAPTER SAE #8 MALE X JIC #8 MALE
7	2	330-00039	STRAIGHT ADAPTER SAE #12 MALE X JIC #6 MALE



Bright Forklift

BD3-7570 with V3800 engine (S/N 32 and up)

MANIFOLD BLOCK ASSEMBLY (097-25517)





Bright Forklift

BD3-7570 with V3800 engine (S/N 32 and up)

MANIFOLD BLOCK ASSEMBLY (097-25517)

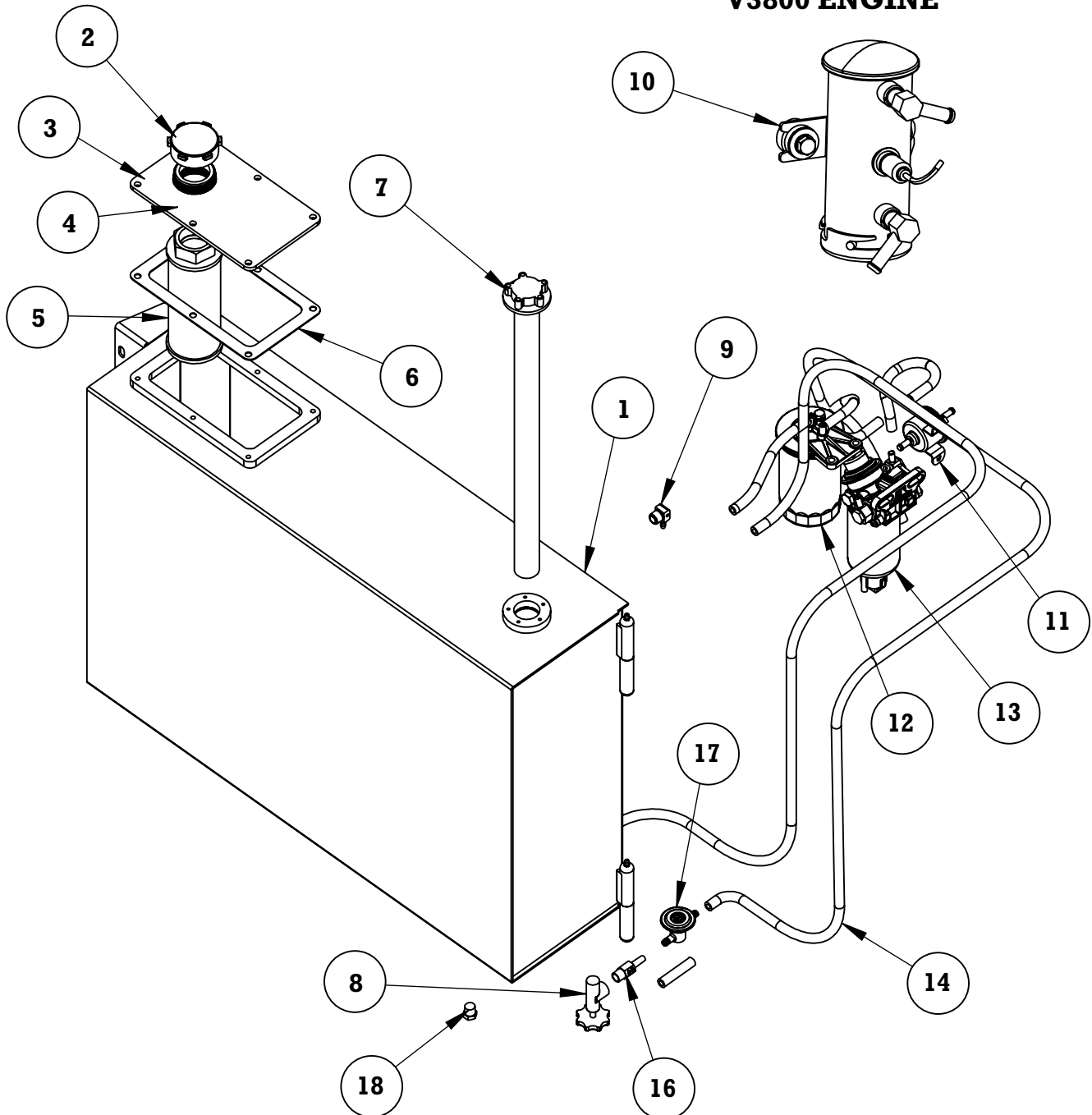
ITEM	QTY.	PART NUMBER	DESCRIPTION
1	1	097-24250	ALUMINUM MANIFOLD BLOCK
2	1	097-24248	CHECK VALVE (30 PSI CRACKING PRESSURE)
3	2	097-20328	2 WAY - 3 POSITION SOLENOID CARTRIDGE VALVE
4	2	097-20329	12V COIL FOR 097-20328
5	2	330-00046	STRAIGHT ADAPTER SAE #8 MALE X JIC #8 MALE
6	5	330-00043	FITTING #6 JIC X #6 SAE
7	2	330-00115	90 DEG. ADAPTER SAE #8 MALE X JIC #8 MALE
8	3	330-00114	FITTING - ELBOW #6 JIC X #6 ORB
9	1	330-00611	FITTING #20 JIC X #20 ORB
10	2	330-00237	STRAIGHT ADAPTER SAE #16 MALE X JIC #16 MALE
11	1	330-00108	ELBOW FITTING - #12 ORB X #12 JIC
12	3	330-00045	FITTING - #8 SAE X #6 JIC
13	2	330-00669-1	SAE# 4 HOLLOW HEX PLUG

Bright Forklift

BD3-7570 with V3800 engine (S/N 32 and up)

FUEL CIRCUIT (097-25520)

**USE WITH
V3800 ENGINE**





Bright Forklift

BD3-7570 with V3800 engine (S/N 32 and up)

FUEL CIRCUIT (097-25520)

ITEM	QTY.	PART NUMBER	DESCRIPTION
1	1	097-25521	FUEL TANK WELDMENT
2	1	430-00350	FUEL CAP 2"
3	1	097-25523	FUEL CLEANOUT COVER WELDMENT
4	1	510-00216	NIPPLE 1-1/2" NPT CLOSE
5	1	097-20191	TANK STRAINER
6	1	098-01266	FUEL/HYDRAULIC TANK GASKET
7	1	098-01506	FUEL SENDING UNIT
8	1	098-01257	FUEL VALVE
9	2	330-00578.2	MALE PIPE HOSE BARB - 3/8" NPT X 1/4" HOSE ID
10	-	097-01365	FUEL PUMP, ELECTRIC (V3800 ENG. ONLY)
11	-	097-20973	FUEL PUMP, ELECTRIC
12	-	097-24900	FUEL FILTER (ELEMENT ONLY)
13	-	097-20971	FILTER - WATER IN FUEL (ELEMENT ONLY)
14	20 FT.	430-00268	FUEL LINE - 5/16
15	12	370-00022	MINI CLAMP
16	1	097-20880	ANTI-SIPHON - MOELLER 033808-10
17	1	097-20879	FUEL DEMAND VALVE
18	1	REF	3/8" NPT PLUG



Bright Forklift

BD3-7570 with V3800 engine (S/N 32 and up)

ELECTRICAL CIRCUIT WITH POWER DIST BOX (097-25560PD)

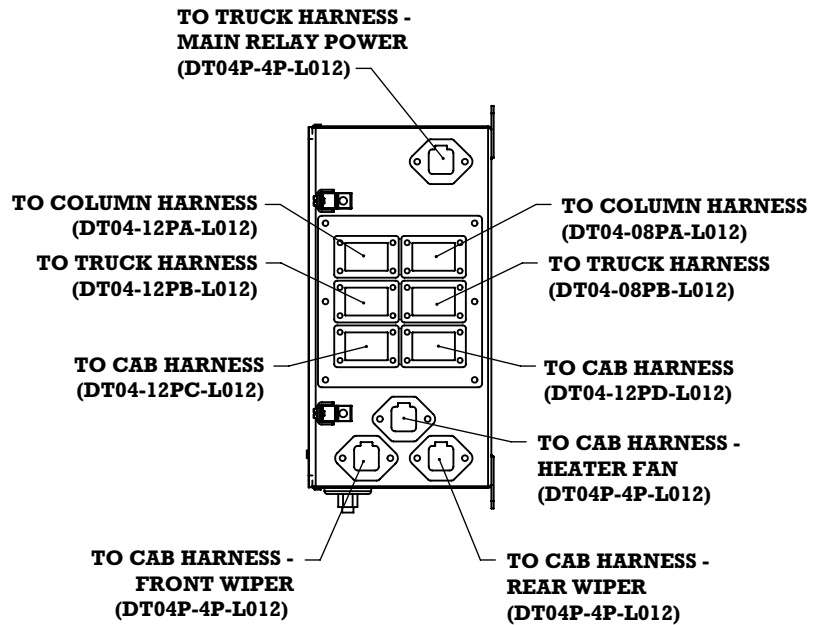
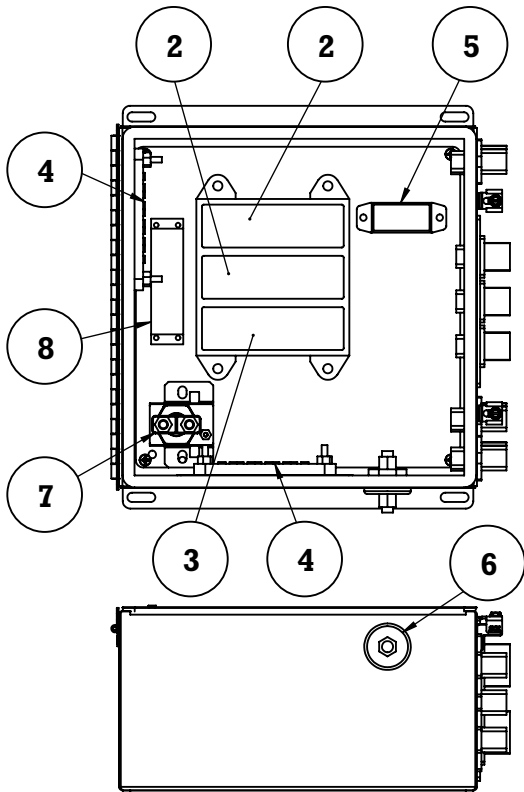
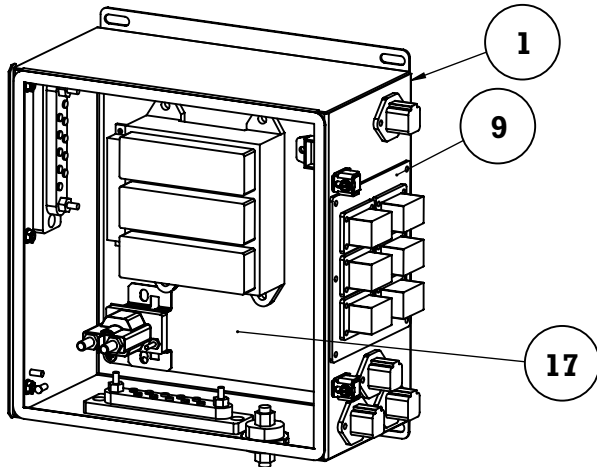
ITEM #	QTY.	DESCRIPTION
097-25541	1	ELECTRIC BOX ASSEMBLY
097-25543	1	CAB HARNESS
097-25544	1	CAB EXTENSION HARNESS
097-25545	1	MAIN TRUCK HARNESS
430-00375	1	BATTERY
097-21531	1	BATTERY HOLDER WELDMENT
097-20610	1 PKG	J-BOLT - 5/16-18 X 10
097-20322	4	LED WORK LIGHT - WHITE
097-20324	1	STROBE LIGHT - TOP OF CAB
430-00195	1	ELECTRIC AUTO HORN
430-00196	1	BACK-UP ALARM
097-20346	1	MASTER DISCONNECT SWITCH
098-10503-01	3	TYPE 120 RELAY (CONTINUOUS)
097-25561	1	BATTERY CABLE POST+ TO EYELET - WITH POWER DISTRIBUTION BOX (V3800 ENG.)
097-25547	1	BATTERY CABLE POST- TO EYELET
097-25562	1	BATTERY CABLE EYELET TO EYELET - STARTER (V3800 ENG.)
097-25550	1	MAIN GROUND CABLE
097-25551	1	GRID HEATER CABLE
097-25555	1	DASH HARNESS
097-25563	1	POWER DISTRIBUTION HARNESS (V3800 ENG.)
190-00882	1	POWER DISTRIBUTION BOX - MD85 FUSE HOLDER
190-00877	1	125A MEGA FUSE
190-00878	1	80A MEGA FUSE
190-00879	1	40A MIDI FUSE
190-00880	1	60A MIDI FUSE
190-00881	1	70A MIDI FUSE
097-25566	1	12V DC OUTLET PIGTAIL HARNESS
097-24382 ASSY	1	POWER DISTRIBUTION BOX



Bright Forklift

BD3-7570 with V3800 engine (S/N 32 and up)

ELECTRIC BOX ASSEMBLY (097-25541)



NOTE: SEE 097-24231M FOR DRILLING OF ELEC. BOX



Bright Forklift

BD3-7570 with V3800 engine (S/N 32 and up)

ELECTRIC BOX ASSEMBLY (097-25541)

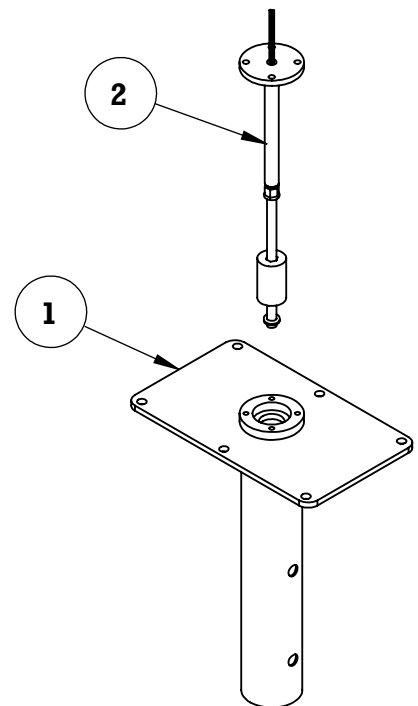
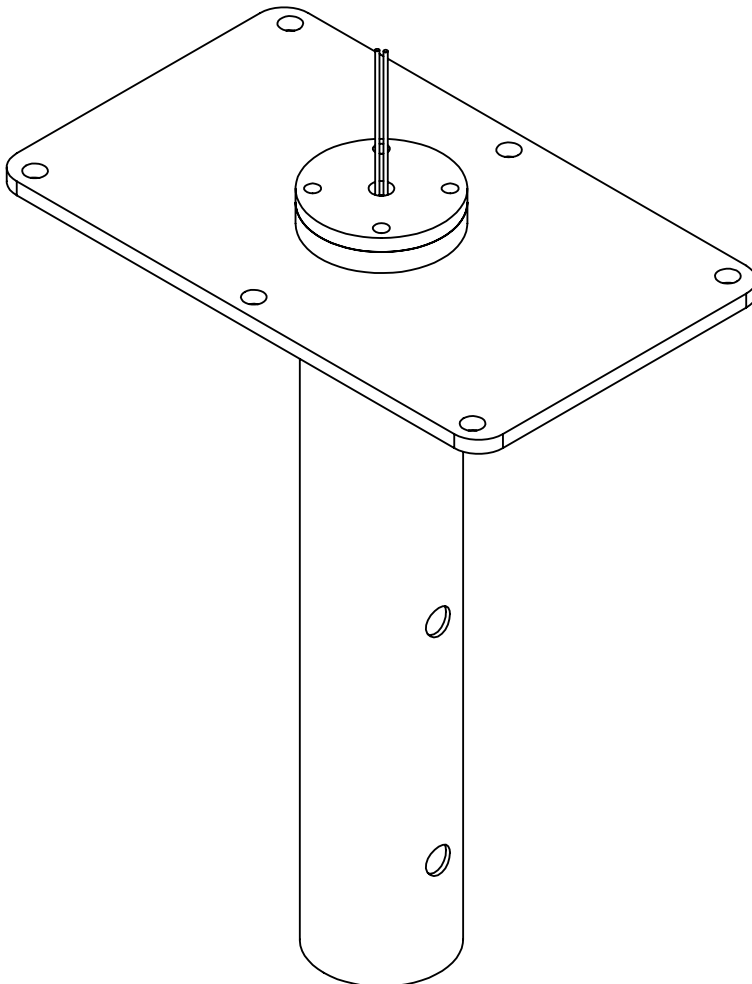
ITEM	QTY	PART NUMBER	DESCRIPTION
1	1	097-24231	ELECTRIC BOX - 12" X 12" X 6" - NEMA 4X
2	2	190-00793	RAISED MINI RELAY BLOCK - 4 WAY
3	1	190-00794	RAISED FUSE BLOCK - 16 WAY
4	2	190-00736	GROUNDING BUS - 10 GANG
5	1	190-00744	STANDARD FUSE BLOCK (4 WAY)
6	1	190-00792	FEEDER STUD
7	2	098-01503-01	CONTINUOUS POWER CONTACTOR
8	1	097-20858	SENDER CAN DEVICE
9	1	097-24274	BULKHEAD MOUNTING PLATE (8 & 12 PINS)
10	1	097-25542	ELECTRIC BOX HARNESS
11	8	190-00798	MINI RELAY - 40A
12	2	190-00795	FUSE - 3A
13	3	190-00745	FUSE - 5A
14	10	190-00796	FUSE - 10A
15	1	098-00777	FUSE - 15A
16	3	190-00745-1	FUSE - 20A
17	1	097-24231-01	ELECTRICAL BOX BACK PLATE



Bright Forklift

BD3-7570 with V3800 engine (S/N 32 and up)

LOL SENSOR ASSEMBLY (097-25565)



***** IF EQUIPPED**



Bright Forklift

BD3-7570 with V3800 engine (S/N 32 and up)

LOL SENSOR ASSEMBLY (097-25565)

ITEM	QTY.	PART NUMBER	DESCRIPTION
1	1	097-25564	LOL SENSOR WELDMENT - BD3-7570
2	1	098-21541	HYDRAULIC FLUID LEVEL SHUTOFF SENSOR

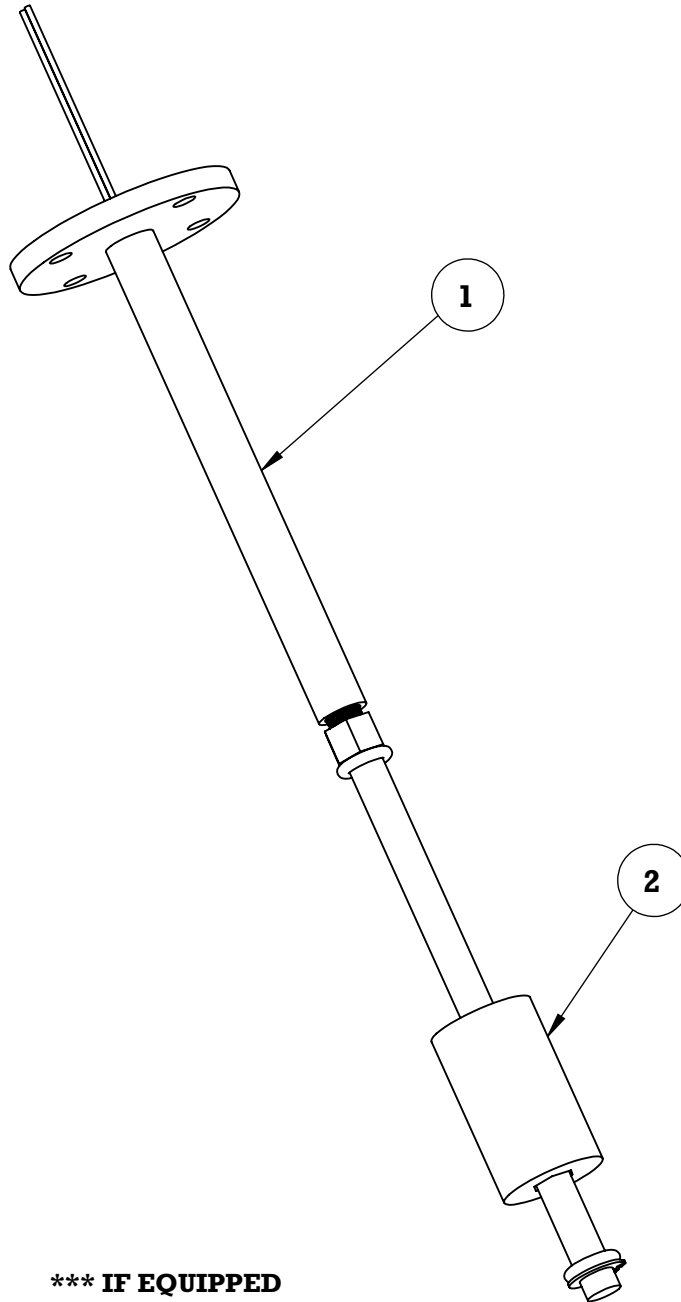
NOTE: IF EQUIPPED



Bright Forklift

BD3-7570 with V3800 engine (S/N 32 and up)

HYDRAULIC FLUID LEVEL SHUTOFF SENSOR (098-21541)



***** IF EQUIPPED**



Bright Forklift

BD3-7570 with V3800 engine (S/N 32 and up)

HYDRAULIC FLUID LEVEL SHUTOFF SENSOR (098-21541)

ITEM	QTY.	PART NUMBER	DESCRIPTION
1	1	098-21542	HYDRAULIC FLUID LEVEL SHUTOFF SENSOR WELDMENT
2	1	098-20204	HYDRAULIC LEVEL SENSOR FOR PATRIOT FORKLIFT

NOTE: IF EQUIPPED



Bright Forklift

BD3-7570 with V3800 engine (S/N 32 and up)

SECTION 5

TIRE & WHEEL ASSEMBLY

CONTENTS

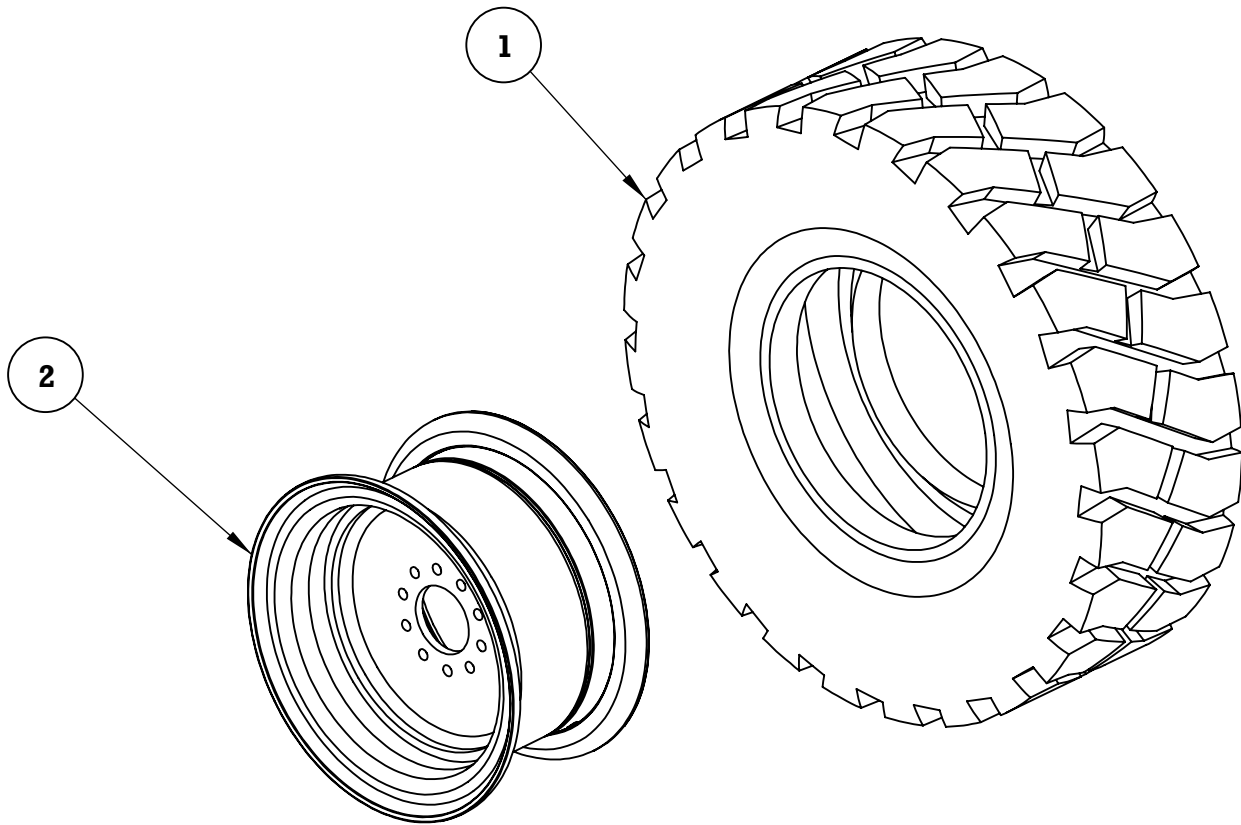
TIRE/WHEEL ASSEMBLY (097-25610)5-2



Bright Forklift

BD3-7570 with V3800 engine (S/N 32 and up)

TIRE/WHEEL ASSEMBLY (097-25610)





Bright Forklift

BD3-7570 with V3800 engine (S/N 32 and up)

TIRE/WHEEL ASSEMBLY (097-25610)

ITEM	QTY.	PART NUMBER	DESCRIPTION
1	1	097-24001	300-15 TIRE (315/70-15)
2	1	097-24002	WHEEL - 15 X 8
3	30	097-00568	WHEEL STUD
4	30	097-00569	WHEEL LUG NUT



Bright Forklift

BD3-7570 with V3800 engine (S/N 32 and up)

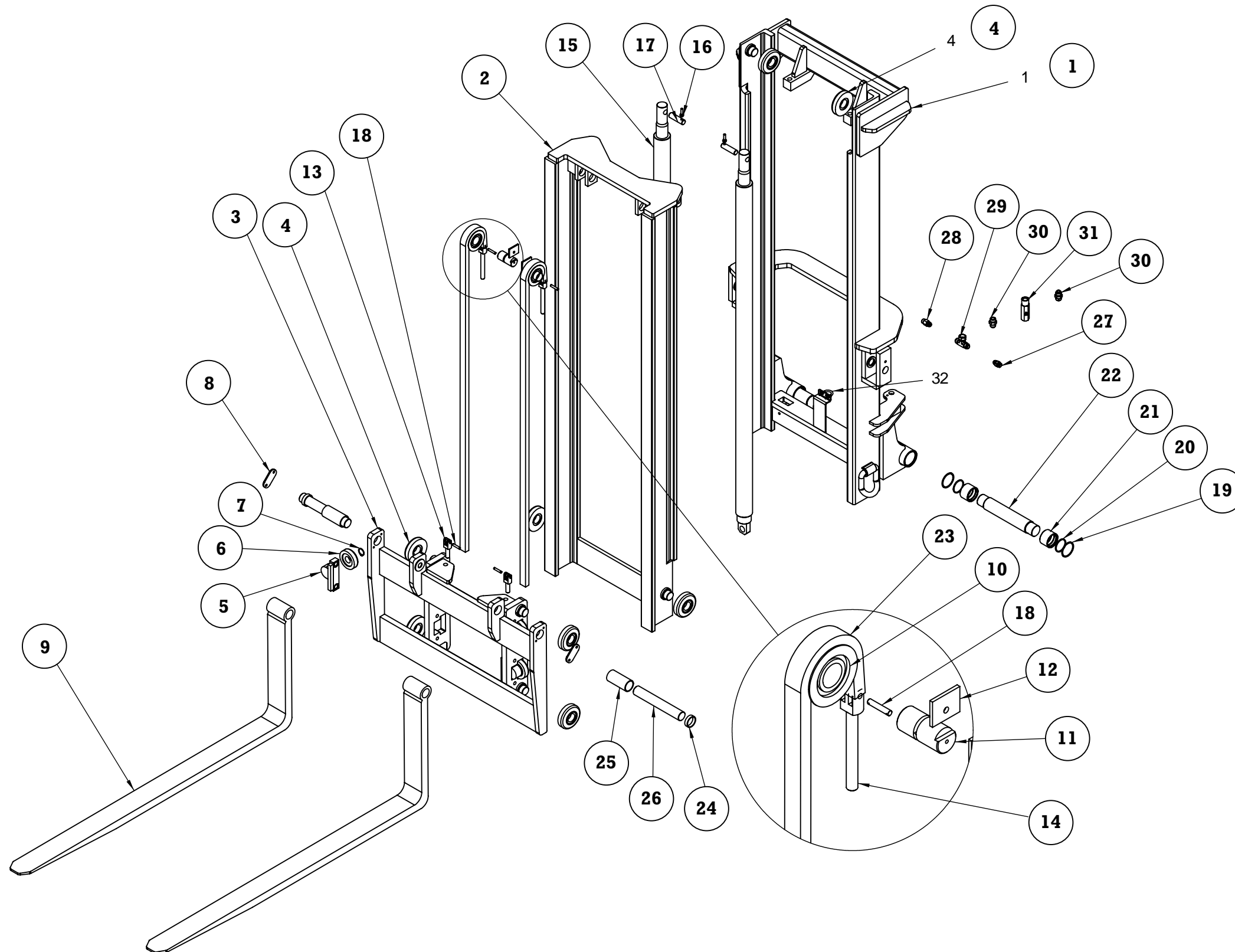
SECTION 6

MAST ASSEMBLY

CONTENTS

MAST ASSEMBLY (097-25700)6-3

MAST ASSEMBLY (097-25700)



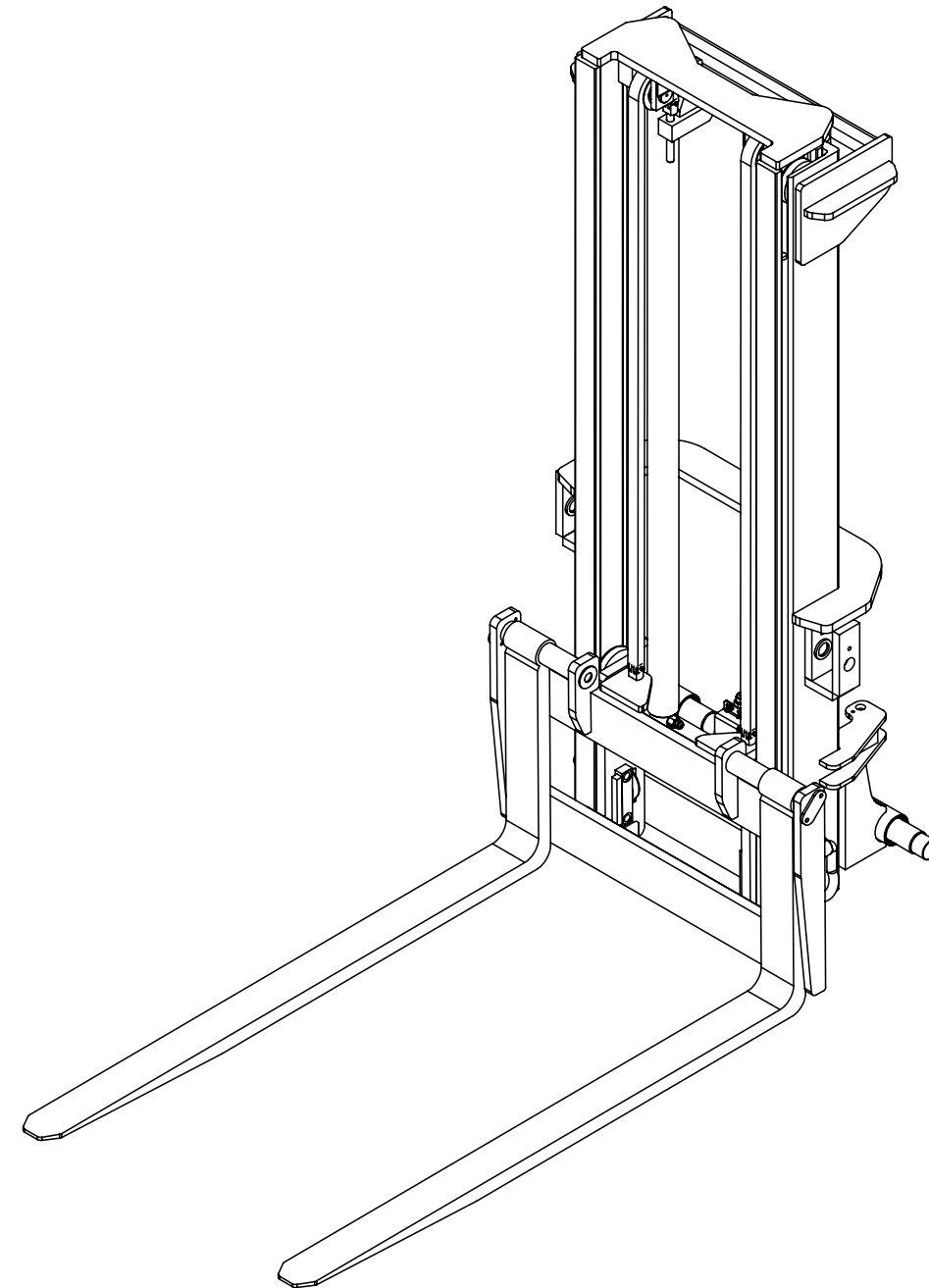


Bright Forklift

BD3-7570

MAST ASSEMBLY (097-25700)

ITEM	QTY	PART NUMBER	DESCRIPTION
1	1	097-25710	OUTER MAST WELDMENT
2	1	098-15731	INNER MAST WELDMENT
3	1	097-25711	NON-ROTATING CARRIAGE
4	8	098-00369	MAST ROLLER
5	4	098-00047	SIDE THRUST ROLLER BASE
6	4	098-00357	MAST ROLLER
7	4	098-00929	SNAP RING FOR 1-3/8" SHAFT
8	2	097-20201	FORK PIN HOLDER
9	2	098-00156	PIN TYPE STD TAPER FORK
10	2	030-00084	CHAIN ROLLER FOR BL-844
11	2	410-00117	CHAIN ROLLER PIN INNER
12	2	098-00664	PIN RETAINER
13	2	098-00006	CHAIN ANCHOR
14	2	098-00007	CHAIN ANCHOR FOR BL-844
15	2	098-00386	LIFT CYLINDER
16	2	210-00527-01	5/32 X 2-1/2 COTTER PIN
17	2	098-00304	LIFT CYLINDER ANCHOR PIN
18	4	098-00022	LEAF CHAIN PIN (BL-844)
19	4	098-00601	RETAINING RING
20	4	098-00602	MAST PIVOT WIPER
21	4	410-00052	MAST PIVOT BUSHING
22	2	410-00054	MAST PIVOT SHAFT
23	2	098-00402	LIFTING CHAIN (83" LG) (MAST)
24	2	097-20485	FORK SPACER 5/8 WIDE
25	2	097-24240	FORK SPACER - 5" WIDE
26	2	097-24241	FORK PIN
27	REF.	330-00347	STRAIGHT ADAPTER SAE #10 MALE X JIC #10 MALE
28	REF.	098-00360	VELOCITY FUSE
29	REF.	330-00709	SWIVEL NUT BRANCH TEE #12 JIC(M) X #12 JIC(F) X #12 JIC(M)
30	REF.	330-00037	STRAIGHT ADAPTER SAE #12 MALE X JIC #12 MALE
31	REF.	098-00361	REGULATOR
32	1	210-00271	U-BOLT 5/16" X 1" PIPE





Bright Forklift

BD3-7570 with V3800 engine (S/N 32 and up)

SECTION 7

HOODS, PANELS, & ACCESSORIES

CONTENTS

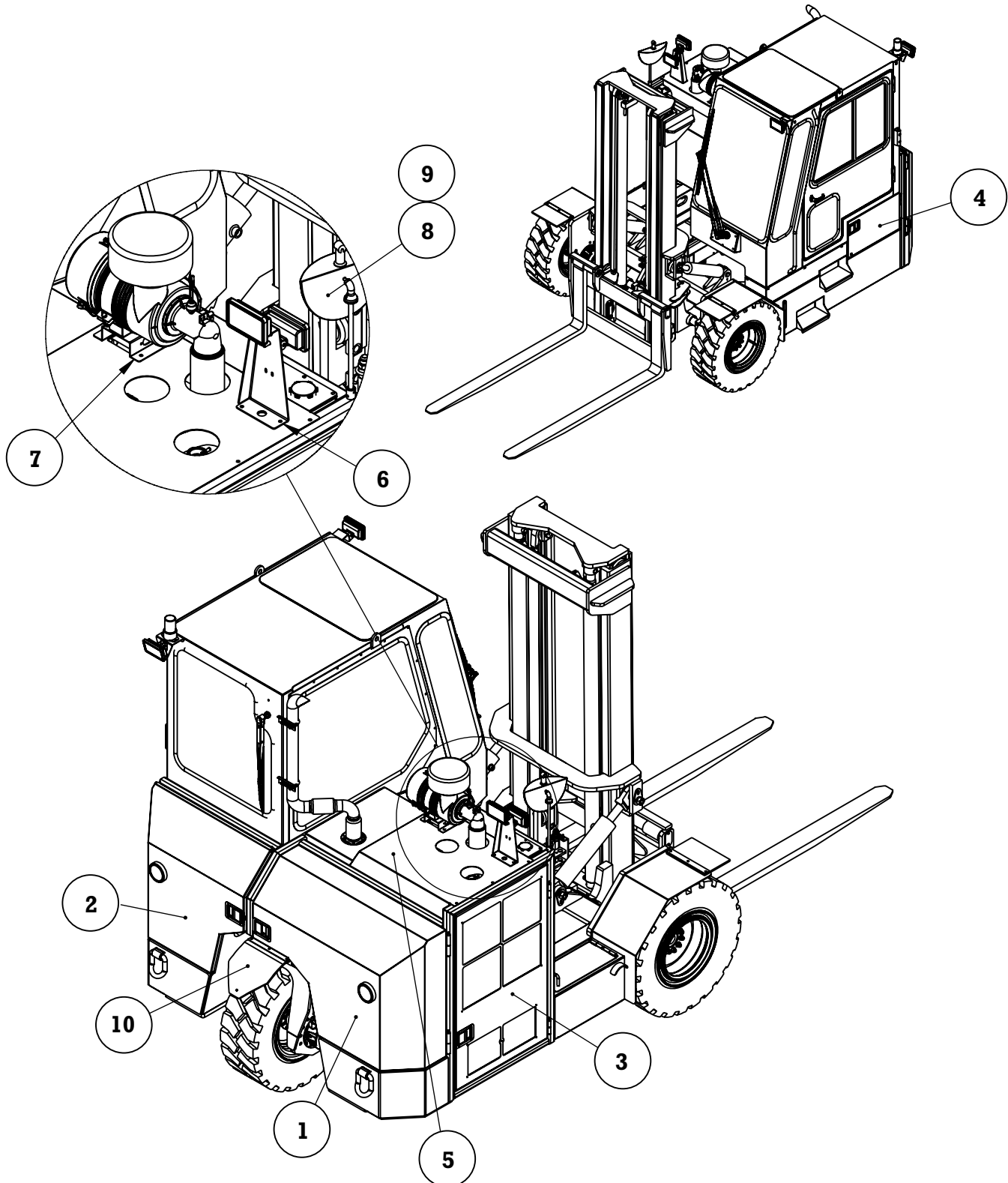
HOODS, PANELS & ACCESSORIES (097-25801).....	7-2
REAR DOOR ASSEMBLY - ENGINE SIDE (097-25811).....	7-4
REAR DOOR ASSEMBLY - CAB SIDE (097-25813).....	7-6
RADIATOR DOOR ASSEMBLY WITH V3800 MOTOR (097-25820).....	7-8
HYDRAULIC ACCESS DOOR ASSEMBLY (097-25817).....	7-10
MUDFLAP/SPLASHGUARD ASSEMBLY (097-25819).....	7-12



Bright Forklift

BD3-7570 with V3800 engine (S/N 32 and up)

HOODS, PANELS & ACCESSORIES (097-25801)





Bright Forklift

BD3-7570 with V3800 engine (S/N 32 and up)

HOODS, PANELS & ACCESSORIES (097-25801)

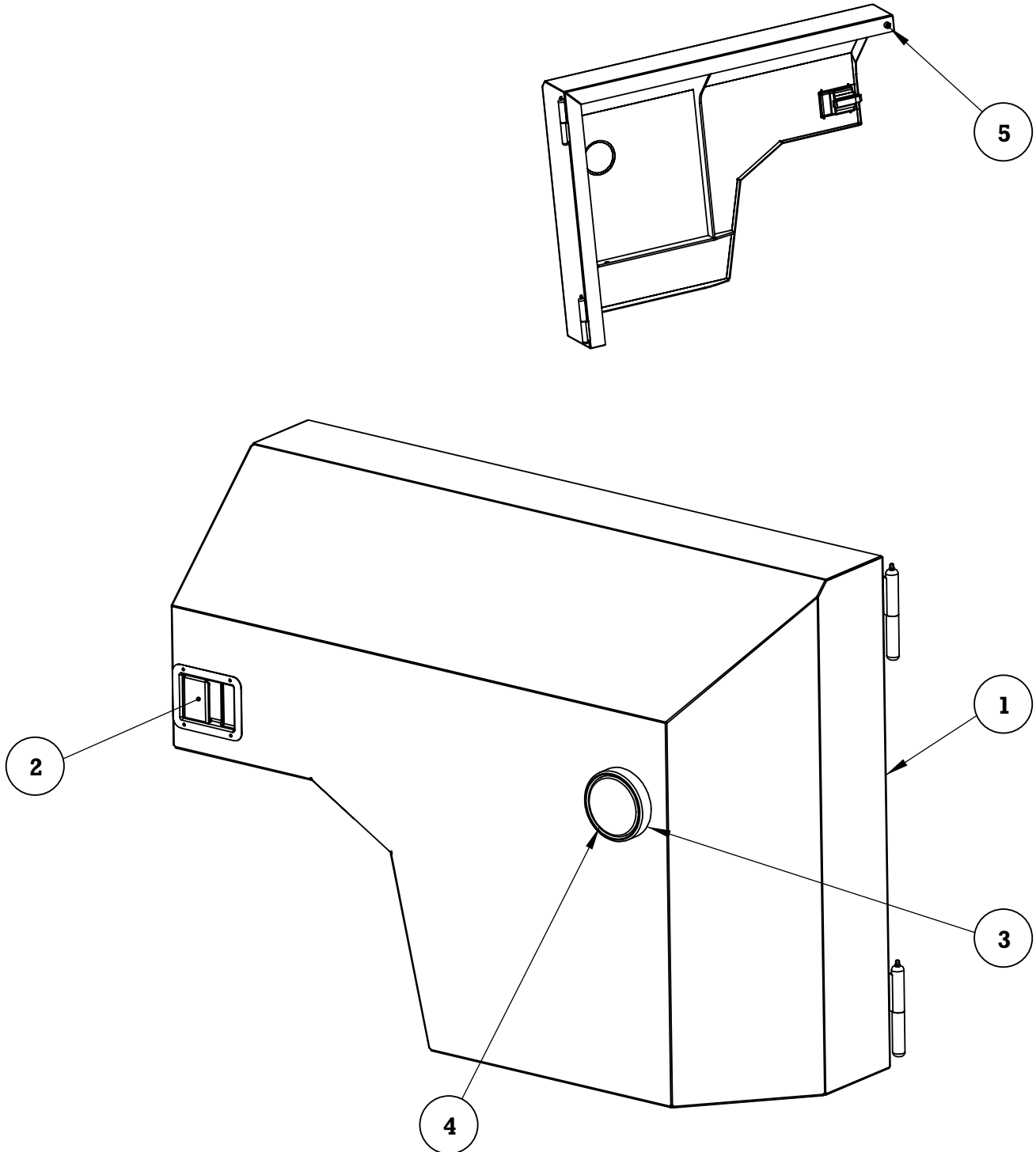
ITEM	QTY.	PART NUMBER	DESCRIPTION
1	1	097-25811	REAR DOOR ASSEMBLY - ENGINE SIDE
2	1	097-25813	REAR DOOR ASSEMBLY - CAB SIDE
3	1	097-25820	RADIATOR ACCESS DOOR ASSEMBLY
4	1	097-25817	HYDRAULIC ACCESS DOOR ASSEMBLY
5	1	097-24377	FIXED UPPER HOOD
6	1	097-24233	WORK LIGHT BRACKET
7	1	097-20777	AIR CLEANER BRACKET
8	1	097-20733	PANORAMIC MIRROR SUPPORT
9	1	097-20715	PANORAMIC MIRROR
10	1	097-25819	MUDFLAP/SPLASHGUARD ASSEMBLY
11	1	097-24381	ECU SPLASH GUARD



Bright Forklift

BD3-7570 with V3800 engine (S/N 32 and up)

REAR DOOR ASSEMBLY - ENGINE SIDE (097-25811)





Bright Forklift

Inc. **BD3-7570 with V3800 engine (S/N 32 and up)**

REAR DOOR ASSEMBLY - ENGINE SIDE (097-25811)

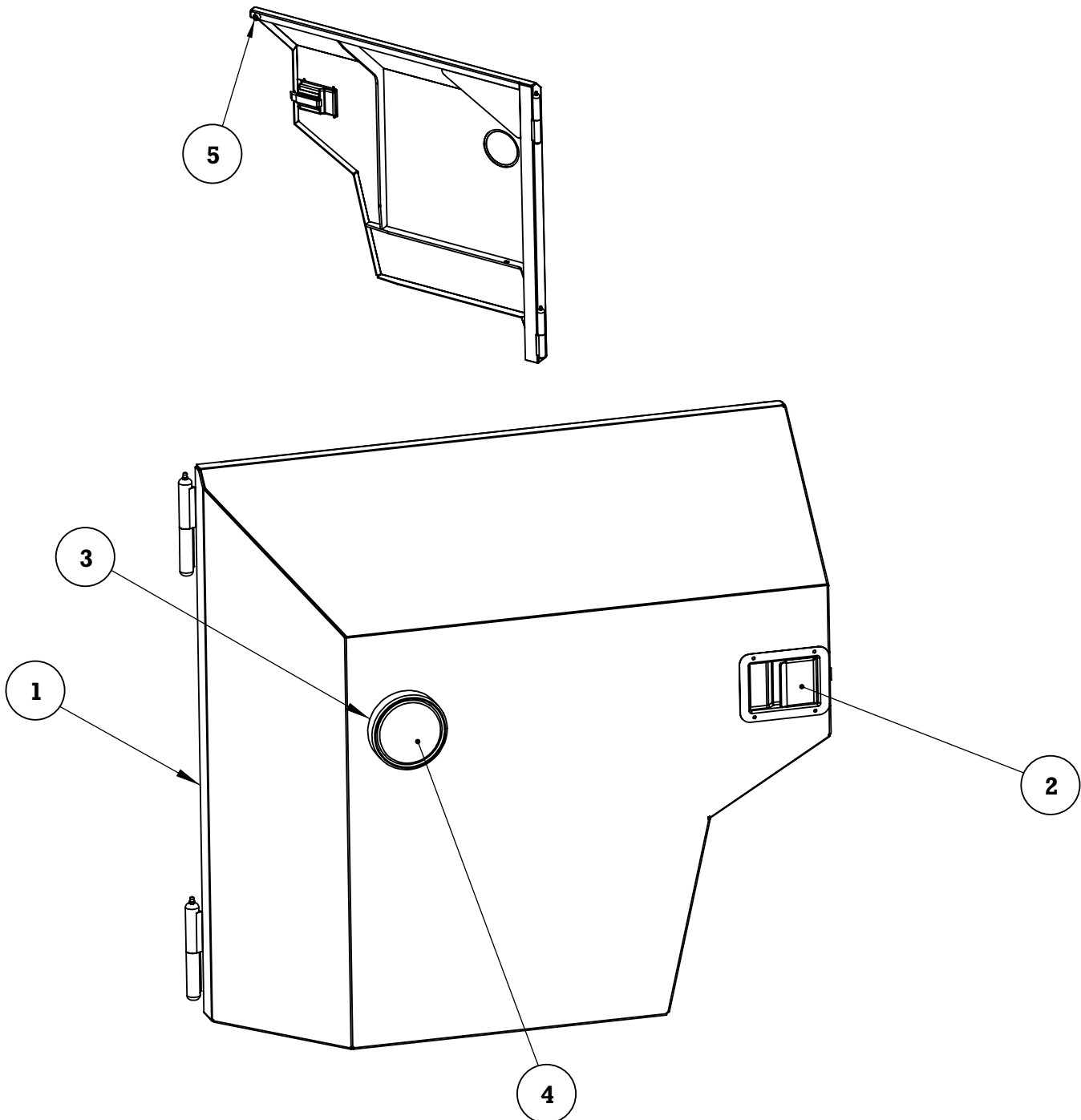
ITEM	QTY.	PART NUMBER	DESCRIPTION
1	1	097-25810	REAR DOOR WELDMENT - RIGHT HAND
2	1	097-20488	PADDLE HANDLE
3	1	190-00174	RUBBER GROMMET 4-1/4" ROUND
4	1	190-00339	BACK-UP LIGHT
5	1	098-01170	RUBBER BUMPER



Bright Forklift

BD3-7570 with V3800 engine (S/N 32 and up)

REAR DOOR ASSEMBLY - CAB SIDE (097-25813)





Bright Forklift

BD3-7570 with V3800 engine (S/N 32 and up)

REAR DOOR ASSEMBLY - CAB SIDE (097-25813)

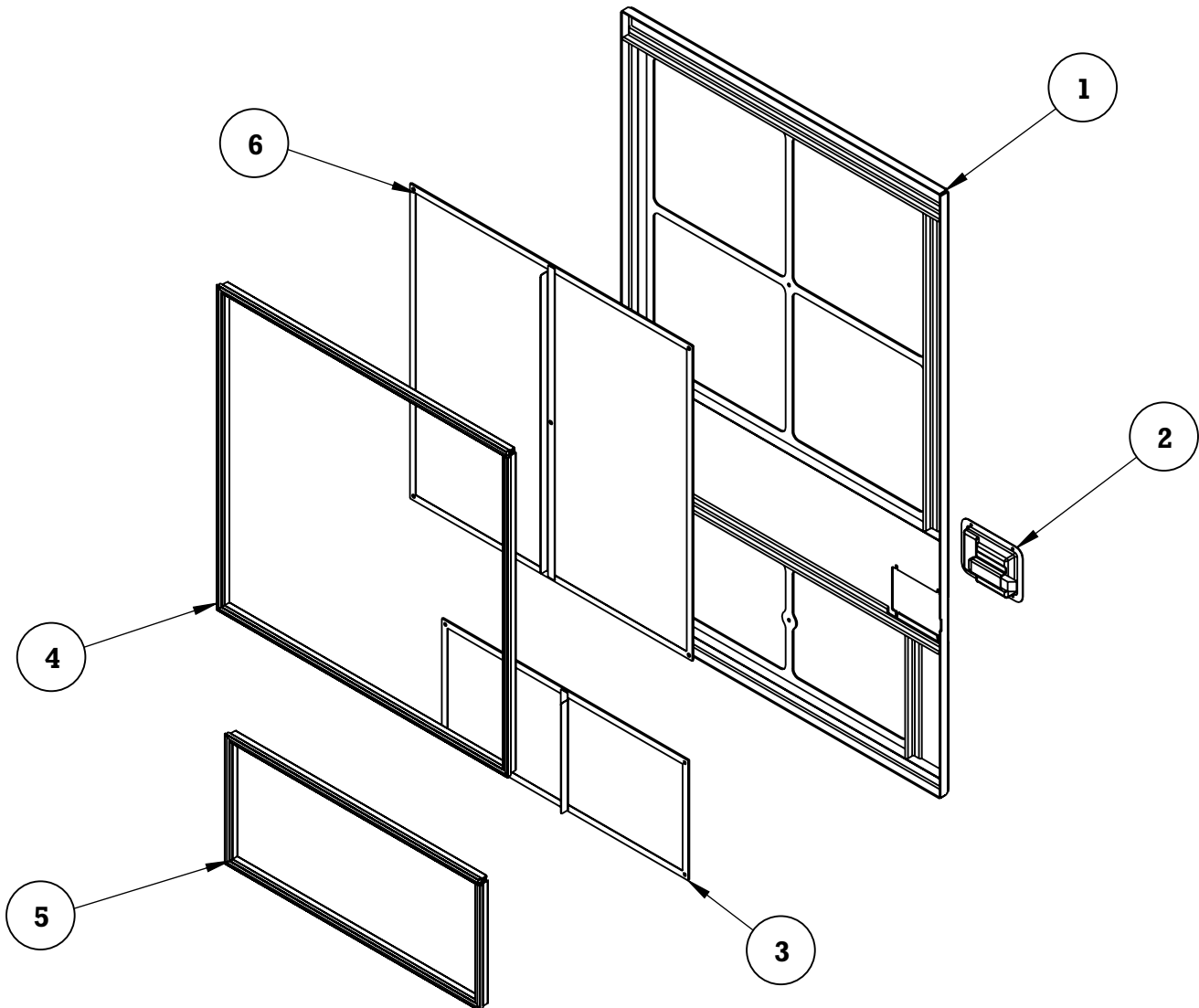
ITEM	QTY.	PART NUMBER	DESCRIPTION
1	1	097-25812	REAR DOOR WELDMENT - LEFT HAND
2	1	097-20488	PADDLE HANDLE
3	1	190-00174	RUBBER GROMMET 4-1/4" ROUND
4	1	190-00339	BACK-UP LIGHT
5	1	098-01170	RUBBER BUMPER



Bright Forklift

BD3-7570 with V3800 engine (S/N 32 and up)

RADIATOR DOOR ASSEMBLY WITH V3800 MOTOR (097-25820)





Bright Forklift

BD3-7570 with V3800 engine (S/N 32 and up)

RADIATOR DOOR ASSEMBLY WITH V3800 MOTOR (097-25820)

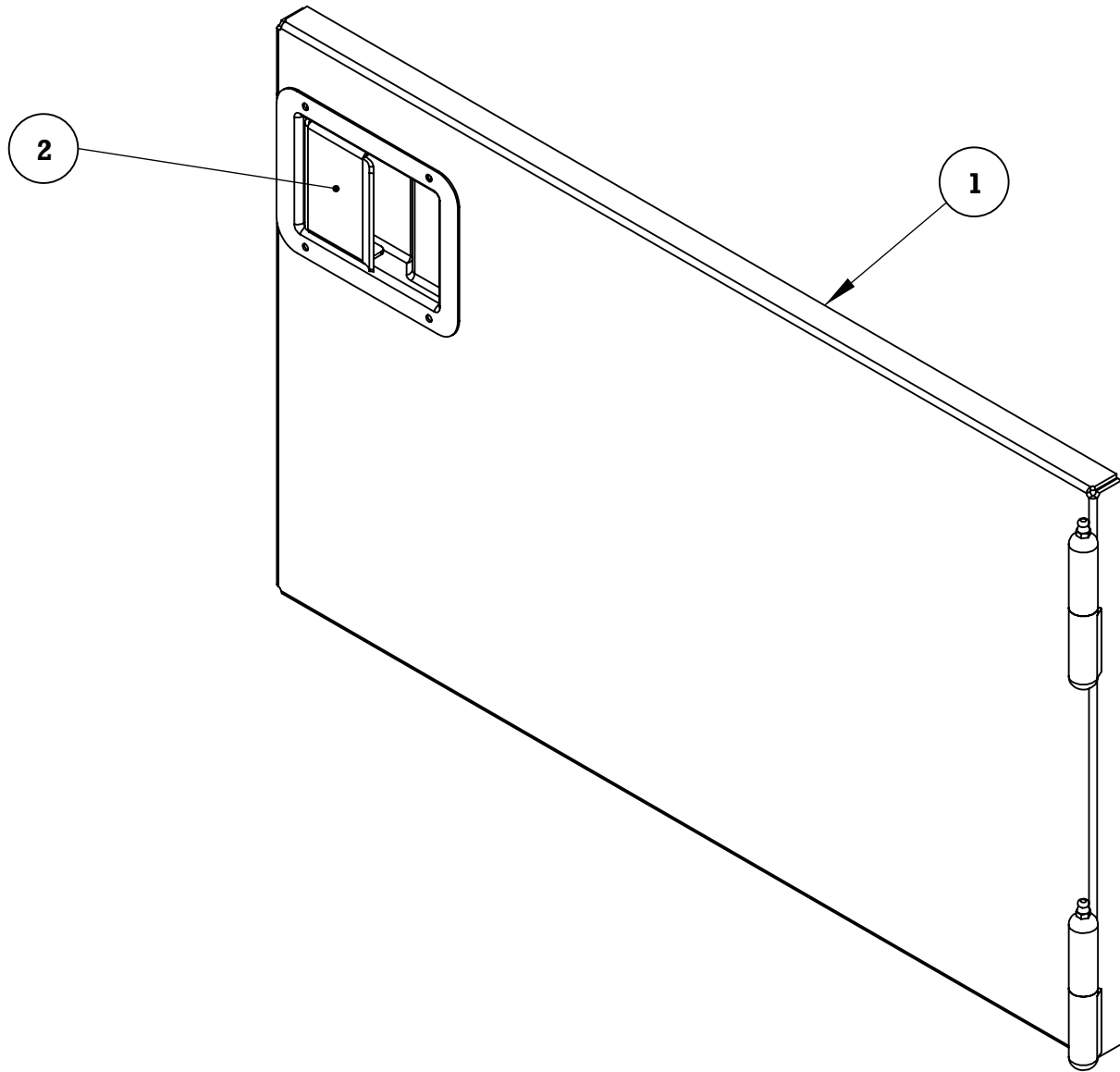
ITEM	QTY.	PART NUMBER	DESCRIPTION
1	1	097-25821	RADIATOR DOOR WELDMENT WITH V3800 ENGINE
2	1	097-20488	PADDLE HANDLE
3	1	097-20796	OIL COOLER SCREEN (KUBOTA 65 HP)
4	1	097-20813	TRIM SEAL DOOR GASKET X 9 FT.
5	1	097-20813	TRIM SEAL DOOR GASKET X 6 FT.
6	1	097-24232	RADIATOR SCREEN



Bright Forklift

BD3-7570 with V3800 engine (S/N 32 and up)

HYDRAULIC ACCESS DOOR ASSEMBLY (097-25817)





Bright Forklift

Inc. **BD3-7570 with V3800 engine (S/N 32 and up)**

HYDRAULIC ACCESS DOOR ASSEMBLY (097-25817)

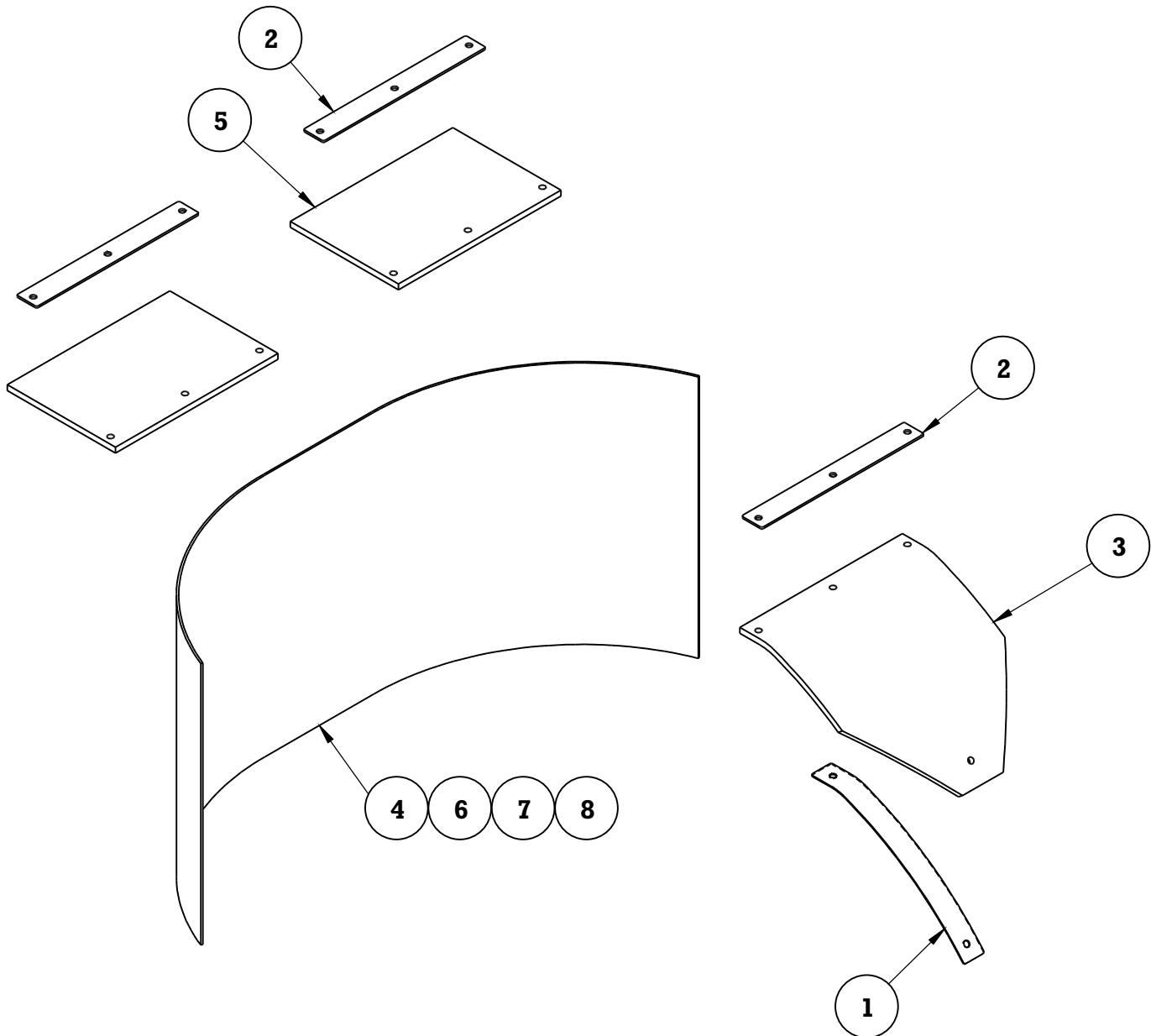
ITEM	QTY.	PART NUMBER	DESCRIPTION
1	1	097-25816	HYDRAULIC TANK ACCESS DOOR WELDMENT
2	1	097-20488	PADDLE HANDLE



Bright Forklift

BD3-7570 with V3800 engine (S/N 32 and up)

MUDFLAP/SPLASHGUARD ASSEMBLY (097-25819)





Bright Forklift

BD3-7570 with V3800 engine (S/N 32 and up)

MUDFLAP/SPLASHGUARD ASSEMBLY (097-25819)

ITEM	QTY.	PART NUMBER	DESCRIPTION
1	1	097-24332	MUDFLAP CURVED SUPPORT
2	3	097-24333	MUDFLAP HOLDER
3	1	097-24334	MUDFLAP - REAR
4	1	097-24336	SPLASHGUARD
5	2	097-24338	MUDFLAP - FRONT
6	5	210-00602A	U-NUT - 1/4"
7	5	210-00046-8	BOLT - 1/4" X 1"
8	5	210-00394-S	WASHER - 1/4" FENDER, SS



Bright Forklift

BD3-7570 with V3800 engine (S/N 32 and up)

SECTION 8

DECALS

CONTENTS

DECALS (097-25900).....8-3



Bright Forklift

BD3-7570 with V3800 engine (S/N 32 and up)

DECALS (097-25900)

QTY.	ITEM #	DESCRIPTION
3	097-24286	DECAL BRIGHT BD3-7570
1	097-24287	DECAL JOYSTICK W/O ROTATOR
1	097-24310	DECAL DASH - BD3-7570
1	097-24311	DECAL ELECTRIC BOX
1	097-20462	DECAL ENGINE OIL LEVEL
1	097-20463	DECAL DIESEL FUEL ONLY
1	097-20464	DECAL HYDRAULIC OIL ONLY
1	097-20465	DECAL CAUTION APPLY P. BRAKE
1	097-20467	DECAL MAIN SWITCH
1	097-24328	DECAL HYDRAULIC OIL LEVEL
1	097-20469	DECAL WARNING SEAT BELT
1	097-20470	DECAL WARNING OPERATION
1	097-20471	DECAL MADE WITH PRIDE IN TEXAS, USA
2	360-00102	DECAL NO RIDERS
2	360-00103	DECAL 202 WARNING KEEP CLEAR OF MAST
2	360-00105	DECAL WARNING KEEP FINGER CLEAR OF CROSSBRACING
1	360-00120	DECAL MADE IN USA
2	360-00128	DECAL WARNING CUT/CRUSH HAZARD KEEP HANDS CLEAR OF FAN AND BELTS
1	098-01765	DECAL HOT LIQUID - RADIATOR
3	097-24337	DECAL DO NOT WELD ON FRAME
1	098-00717-01	LIFT DATA PLATE, ALUMINUM (BACK DOCK)



Bright Forklift

BD3-7570 with V3800 engine (S/N 32 and up)

SECTION 9

MAINTENANCE ITEMS

CONTENTS

MAINTENANCE ITEMS TABLE.....9-3



Bright Forklift

BD3-7570 with V3800 engine (S/N 32 and up)

MAINTENANCE ITEMS TABLE

QTY.	PART NUMBER	DESCRIPTION
1	097-24013E	RETURN FILTER ELEMENT - HYDRAULIC CIRCUIT
1	097-20287	HIGH PRESSURE FILTER - HYDRAULIC CIRCUIT
1	097-24900	ENGINE FUEL FILTER ELEMENT
1	097-20971	ENGINE WATER SEPARATOR ELEMENT
1	097-24901	ENGINE OIL FILTER
1	097-20965	ENGINE AIR FILTER - OUTER ELEMENT
1	097-20966	ENGINE AIR FILTER - INNER ELEMENT
1	097-01405	OIL SEPARATOR FILTER



097-20971
Engine Fuel
Water Separator



097-20965
Outer Air Filter
Element



097-20966
Inner Air Filter
Element



097-01405
Oil Separator
Filter



097-20287
Hydraulic Pressure
Oil Filter



097-24013E
Hydraulic Return
Oil Filter



097-24900
Kubota Engine
Fuel Filter



097-24901
Kubota Engine
Oil Filter



Bright Forklift

BD3-7570 with V3800 engine (S/N 32 and up)

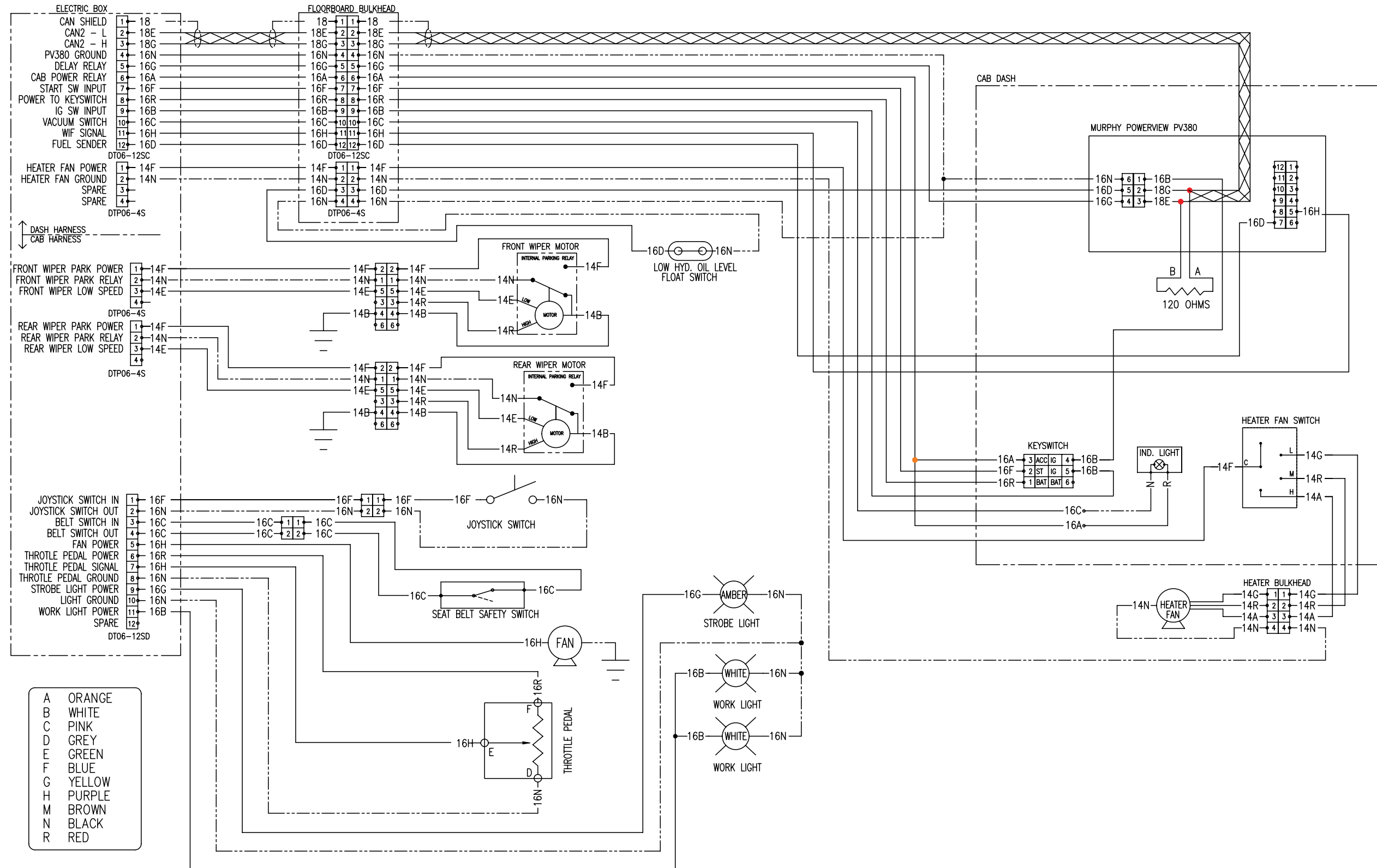
SECTION 10

SCHEMATICS

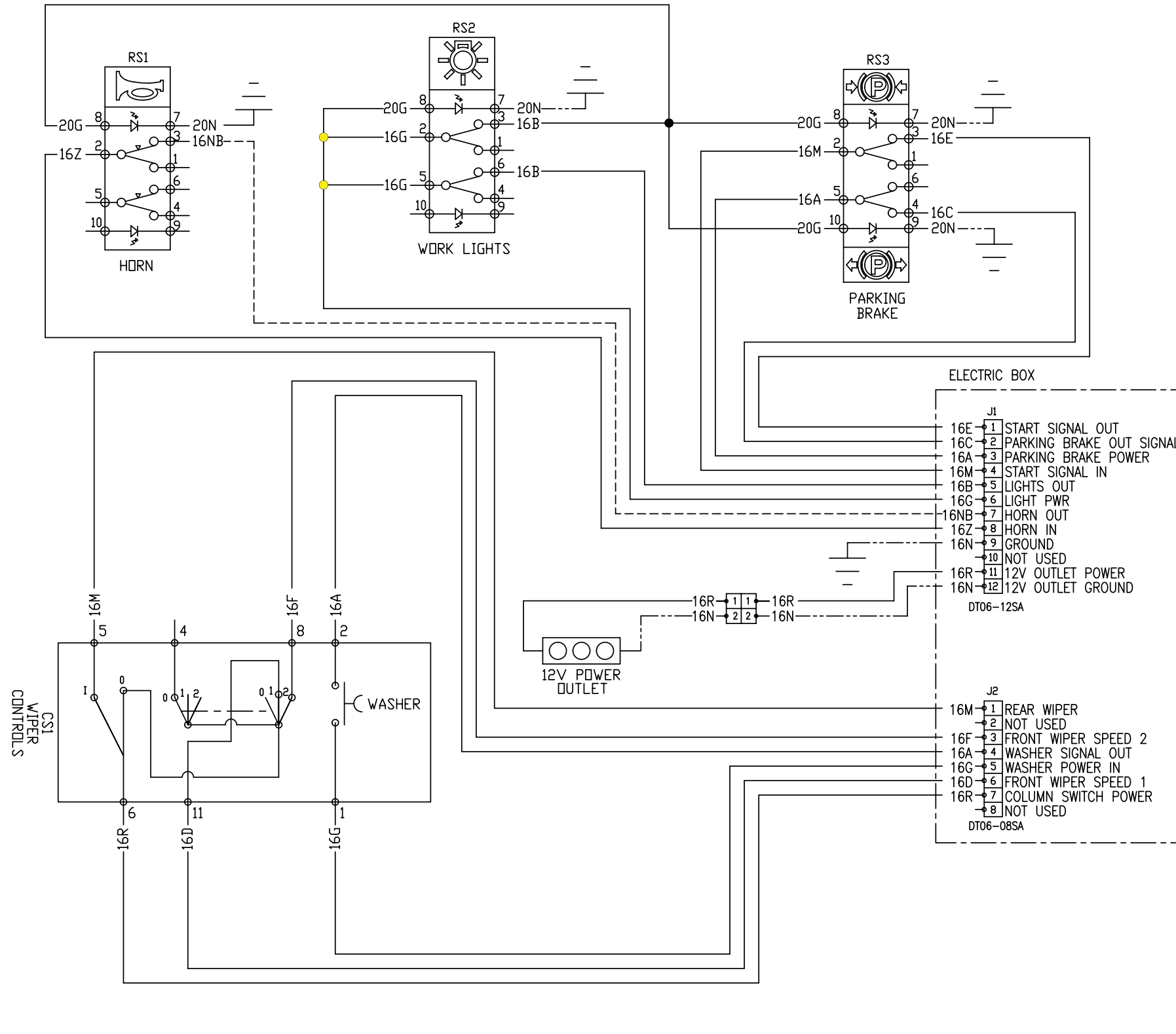
CONTENTS

ELECTRICAL SCHEMATIC - OPERATOR CAB WITH LOL SWITCH.....	10-3
ELECTRICAL SCHEMATIC - COLUMN WITH 12V OUTLET	10-5
ELECTRICAL SCHEMATIC - ELECTRIC BOX WITH 12V OUTLET.....	10-7
ELECTRICAL SCHEMATIC - TRUCK.....	10-9
HYDRAULIC SCHEMATIC - FOR TRACTION.....	10-11
HYDRAULIC SCHEMATIC - EXCLUDING TRACTION	10-13

ELECTRICAL SCHEMATIC - OPERATOR CAB WITH LOL SWITCH



ELECTRICAL SCHEMATIC - COLUMN WITH 12V OUTLET

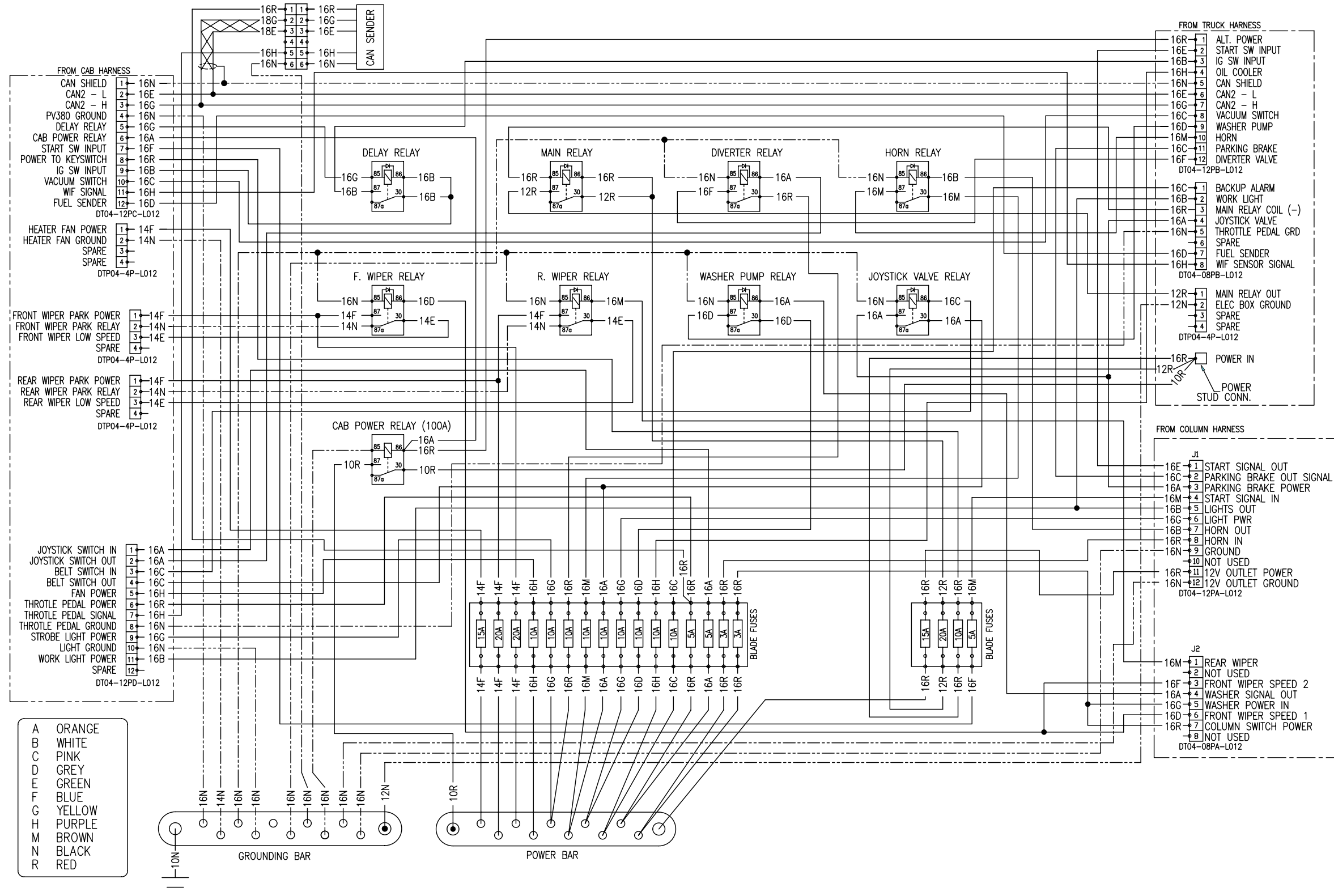




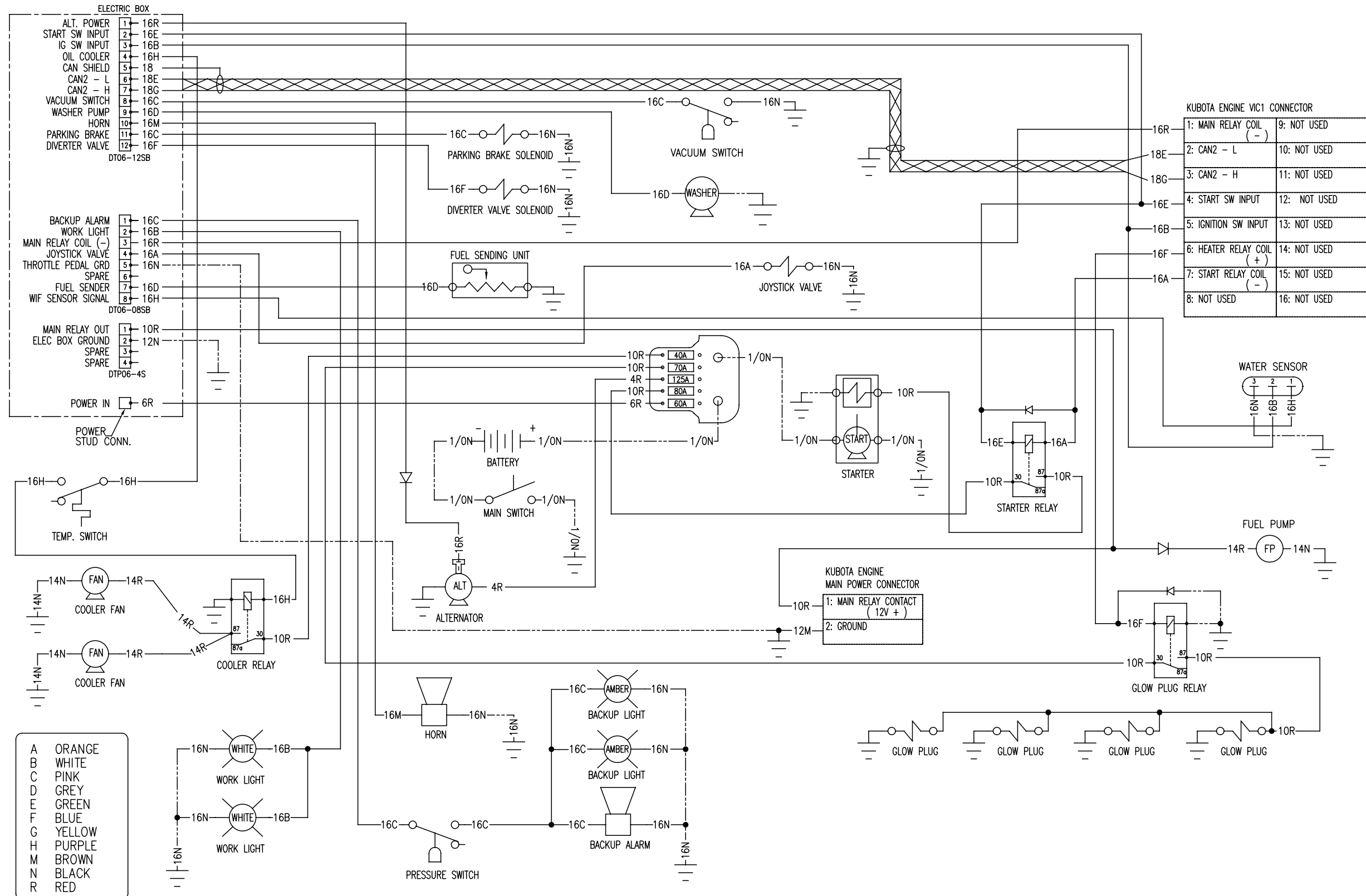
Bright Forklift

BD3-7570

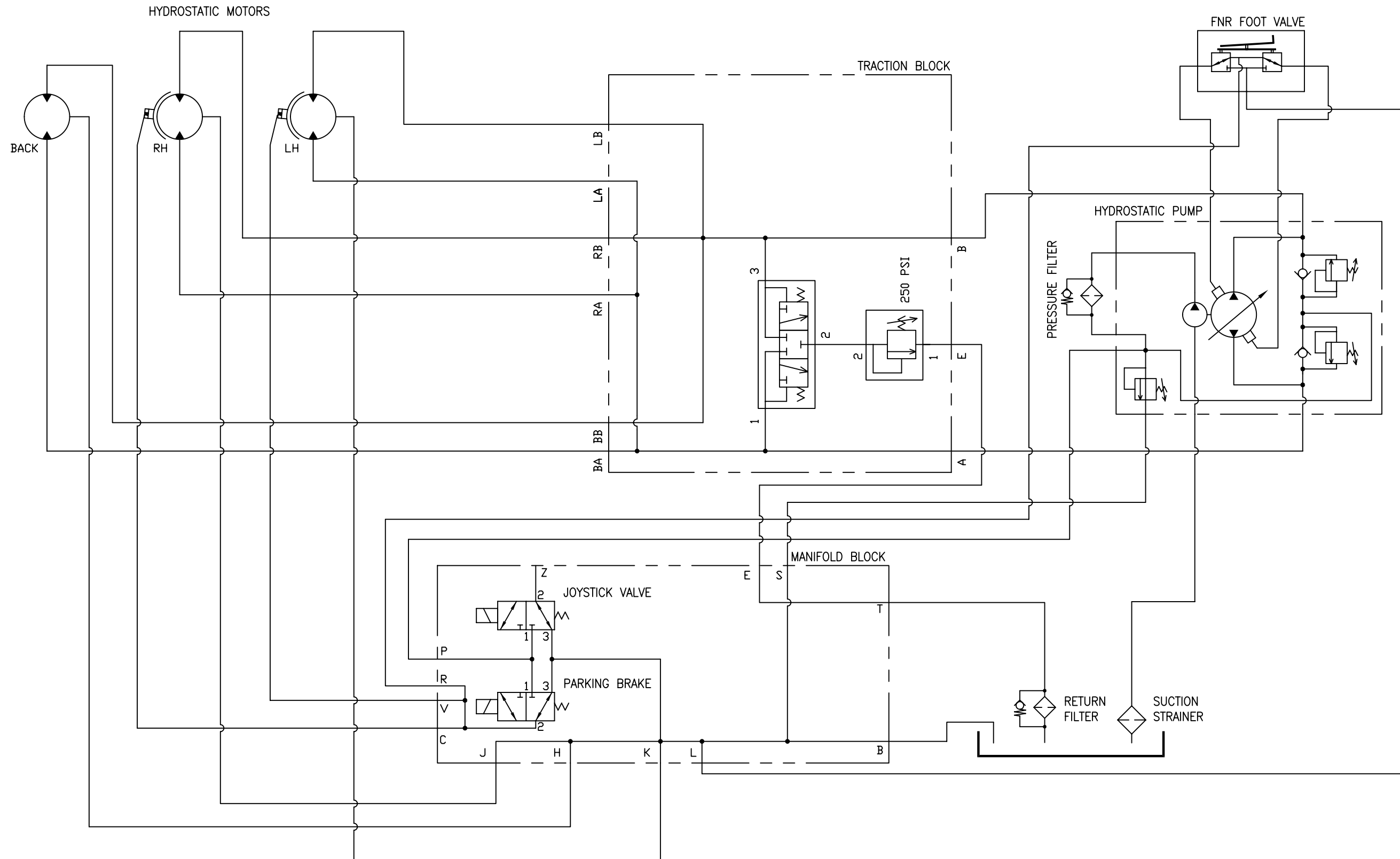
ELECTRICAL SCHEMATIC - ELECTRIC BOX WITH 12V OUTLET



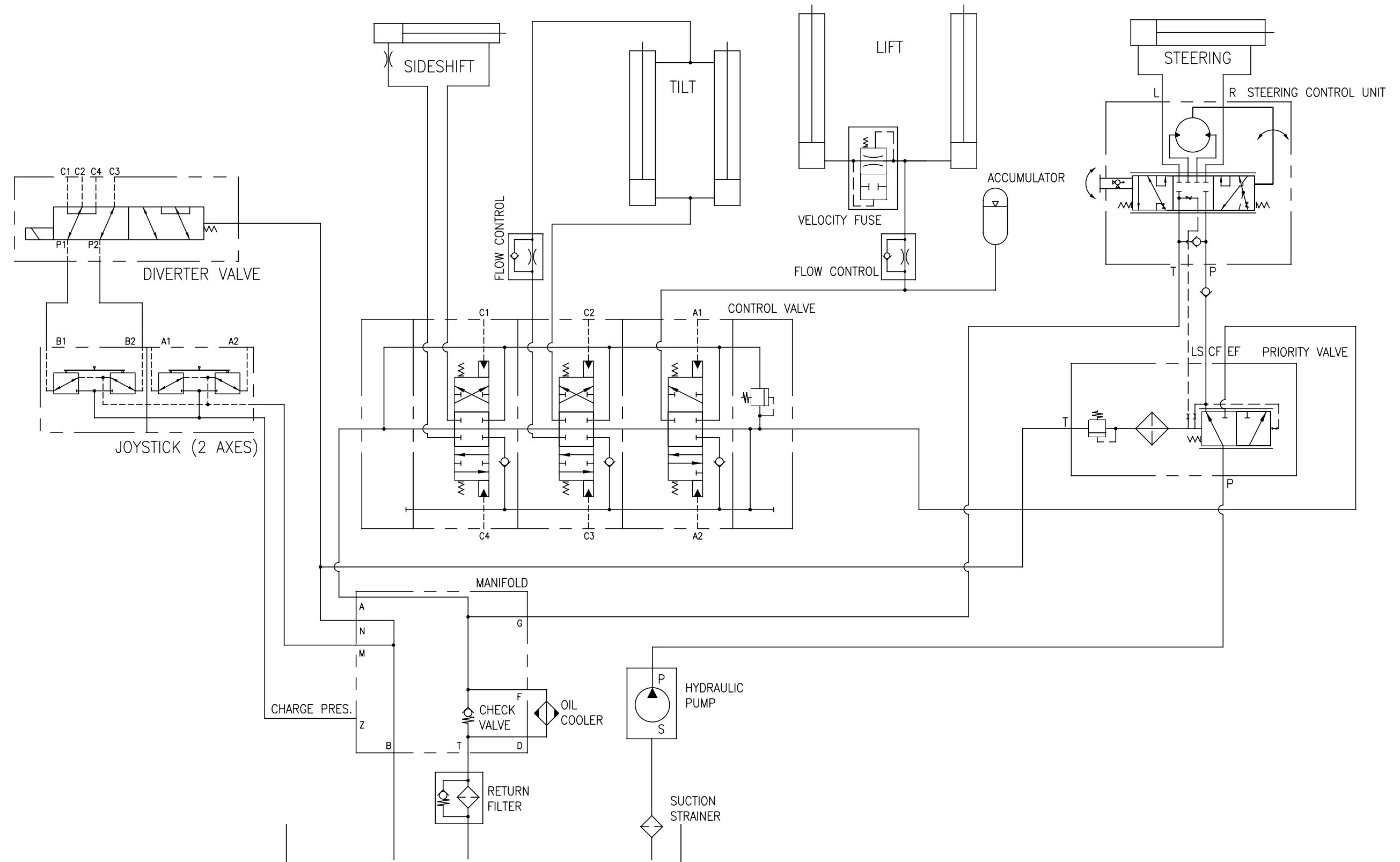
ELECTRICAL SCHEMATIC - TRUCK



HYDRAULIC SCHEMATIC - FOR TRACTION



HYDRAULIC SCHEMATIC - EXCLUDING TRACTION





Bright Forklift

BD3-7570 with V3800 engine (S/N 32 and up)

SECTION 11

KUBOTA DIESEL ENGINE

V3800-TIE4B-KEA-1





Bright Forklift

BD3-7570 with V3800 engine (S/N 32 and up)

CONTENTS

CRANKCASE (500000)	11-4
OIL PAN (501000)	11-6
DIPSTICK AND GUIDE (501200).....	11-8
CYLINDER HEAD (502000)	11-10
INLET VALVE AND EXHAUST VALVE (503000)	11-12
ROCKER ARM SHAFT (504000).....	11-14
HEAD COVER (505000)	11-16
GEAR CASE (508000).....	11-18
PISTON AND CRANKSHAFT (511000)	11-20
CAMSHAFT AND IDLE GEAR SHAFT (512000)	11-22
BEARING CASE COVER (514000)	11-24
FLYWHEEL (515000)	11-26
SUPPLY PUMP (526500)	11-28
FUEL FILTER (531000)	11-30
FUEL PIPE (531500)	11-32
SEPARATOR (532500).....	11-34
INJECTION PIPE (545000)	11-36
FUEL PUMP (ELECTRICAL) (547100)	11-38
COMMON RAIL (548000)	11-40
ALTERNATOR AND PULLEY (550000)	11-42
ALTERNATOR COMPONENT PARTS (551000).....	11-44
STARTER (554000)	11-46
STARTER COMPONENT PARTS (555000)	11-48
SWITCHES AND SENSORS (557000).....	11-50
INJECTOR HARNESS (557500)	11-52
WIRE HARNESS (558000)	11-54
WIRE HARNESS BRACKET (558500)	11-56
WATER FLANGE AND THERMOSTAT (560000)	11-58



Bright Forklift

BD3-7570 with V3800 engine (S/N 32 and up)

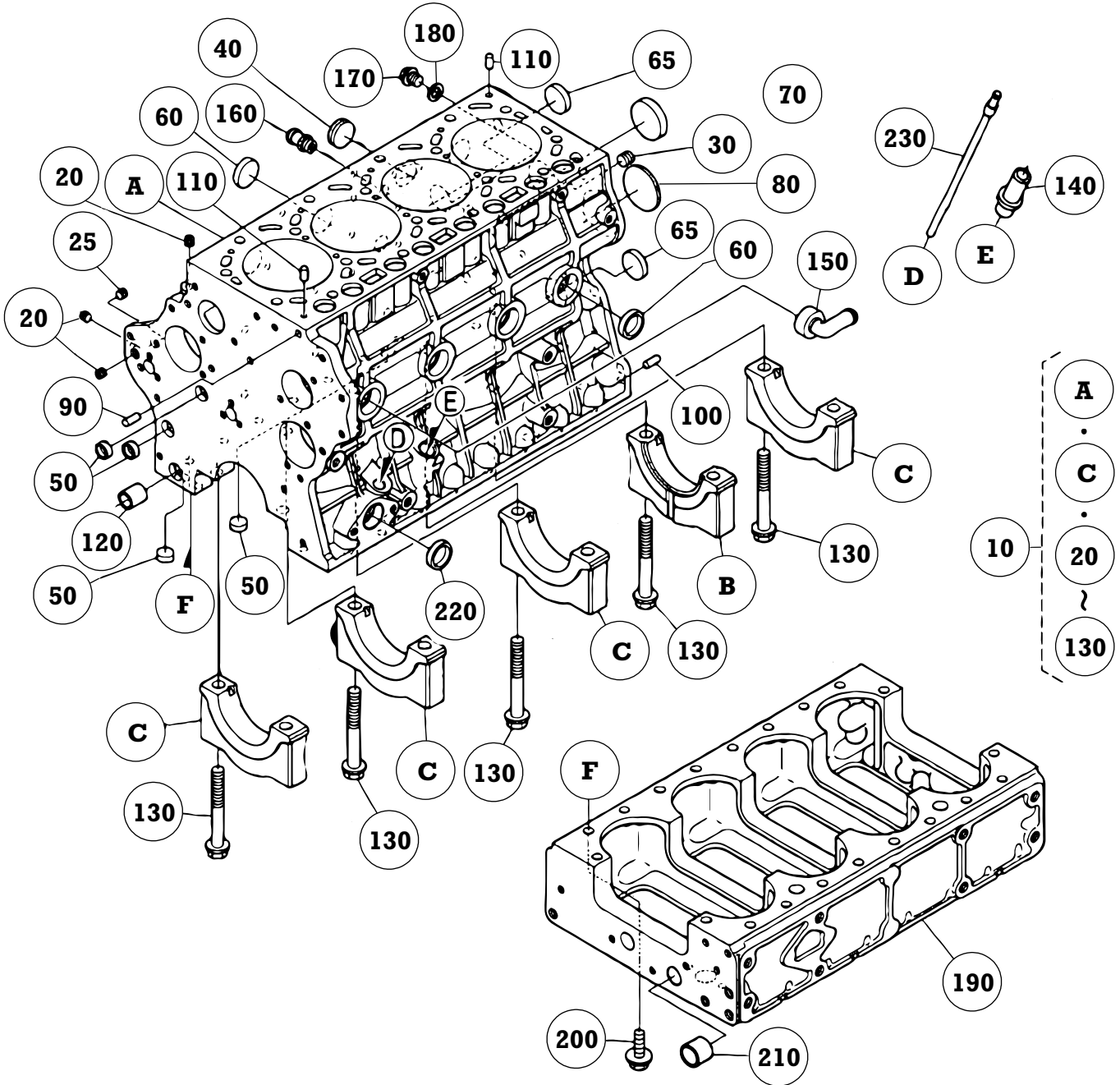
CONTENTS (CONTINUED)

WATER PUMP (561000).....	11-60
FAN AND PULLEY (567000).....	11-62
INLET MANIFOLD (571000).....	11-64
AIR CLEANER FLANGE AND THROTTLE VALVE (571100).....	11-66
EXHAUST MANIFOLD (572000).....	11-68
EGR VALVE (572300).....	11-70
EGR COOLER (572400).....	11-72
TURBO CHARGER (572600).....	11-74
AIR CLEANER (573000).....	11-76
DIESEL PARTICULATE FILTER MUFFLER (574000).....	11-78
DIESEL PARTICULATE FILTER MUFFLER COMPONENT PARTS (574200).....	11-80
BREATHER PIPE/SEPARATOR PIPE (576000).....	11-82
OIL SEPARATOR (576500).....	11-84
OIL PIPE (TURBO CHARGER) (580000).....	11-86
OIL COOLER (582000).....	11-88
OIL FILTER (583000).....	11-90
HYDRAULIC PUMP COVER (585200).....	11-92
ECU (587200).....	11-94
ACCESSORIES AND SERVICE PARTS (588000).....	11-96

Bright Forklift

BD3-7570 with V3800 engine (S/N 32 and up)

CRANKCASE (500000)





Bright Forklift

BD3-7570 with V3800 engine (S/N 32 and up)

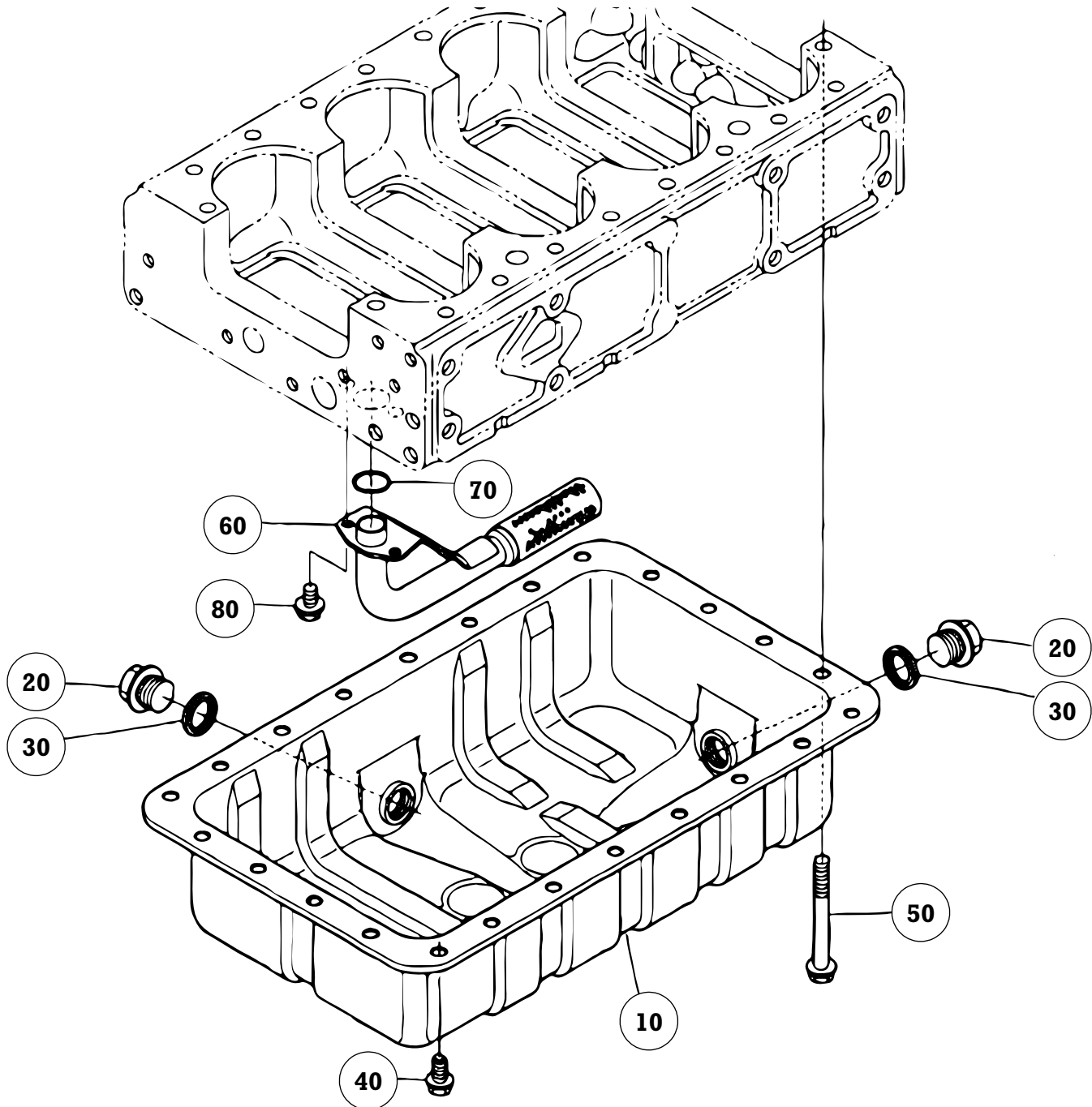
CRANKCASE (500000)

REF	QTY.	PART NUMBER	DESCRIPTION
10	1		CRANKCASE, COMPLETE
20	3		PLUG
25	1		PLUG
30	1		PLUG
40	1		6683-96020 PLUG
50	4		CAP, SEALING
60	6		PLUG, CUP TYPE
65	2		CAP, SEALING
70	1		CAP, SEALING
80	1		PLUG, EXPANSION
90	1		PIN, STRAIGHT
100	4		PIN, STRAIGHT
110	2		PIN, PIPE
120	1		PIN, STRAIGHT
130	10		BOLT
140	1		PIPE, OIL
150	1		JOINT, PIPE
160	1		JOINT, STR PIPE
170	1		PLUG
180	1		GASKET
190	1		CRANKCASE (2)
200	16		BOLT, FLANGE
210	2		PIN, STRAIGHT
220	2		CAP, SEALING
230	1		COMP. PIPE (OIL RETURN)

Bright Forklift

BD3-7570 with V3800 engine (S/N 32 and up)

OIL PAN (501000)





Bright Forklift

BD3-7570 with V3800 engine (S/N 32 and up)

OIL PAN (501000)

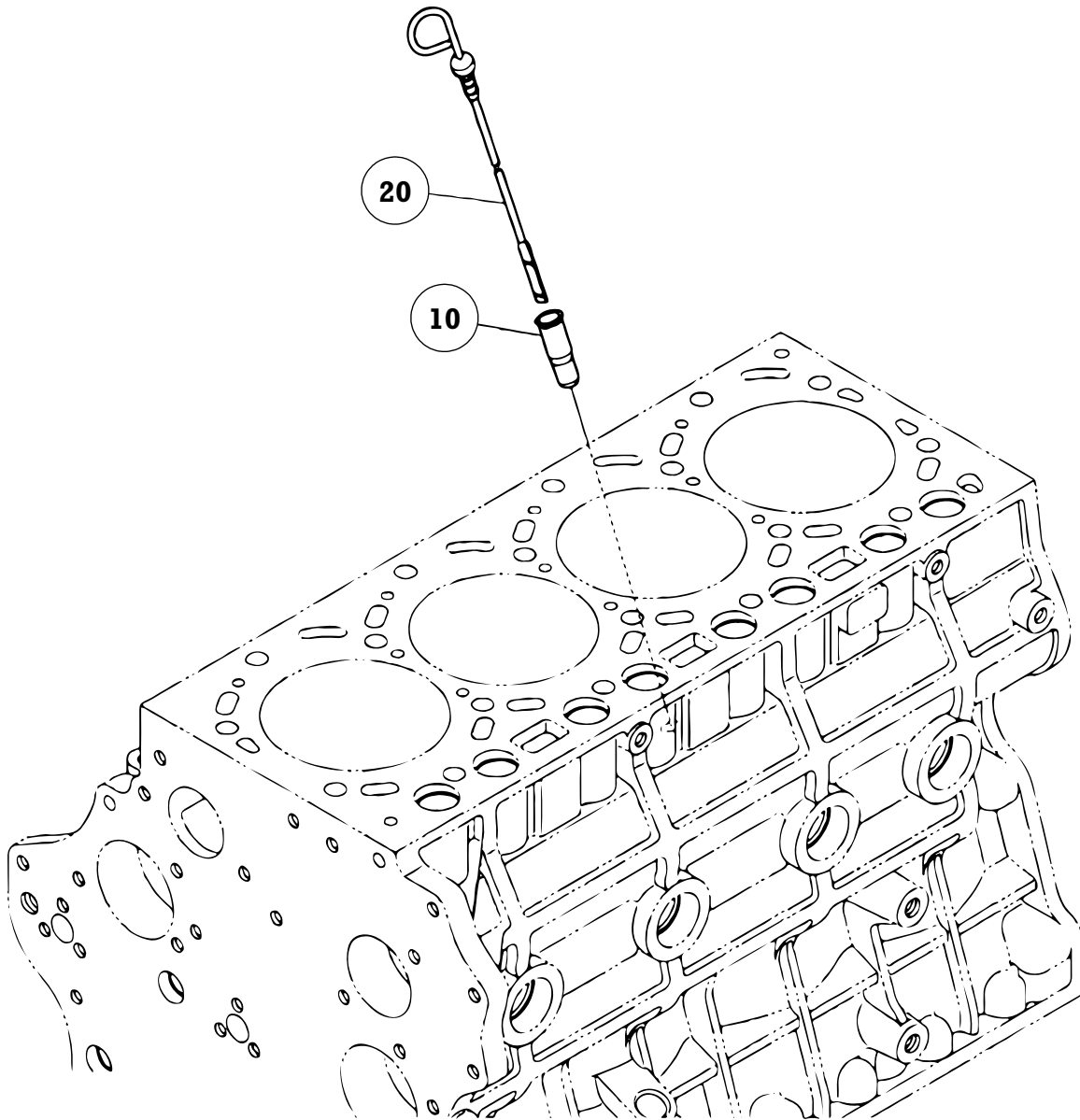
REF	QTY.	PART NUMBER	DESCRIPTION
10	1		COMPLETE OIL PAN
20	2	430-00214	DRAIN PLUG
30	2	430-00215	PACKING
40	20		BOLT
50	4		BOLT, FLANGE
60	1		FILTER, OIL
70	1		O RING
80	2		BOLT, FLANGE



Bright Forklift

BD3-7570 with V3800 engine (S/N 32 and up)

DIPSTICK AND GUIDE (501200)





Bright Forklift

BD3-7570 with V3800 engine (S/N 32 and up)

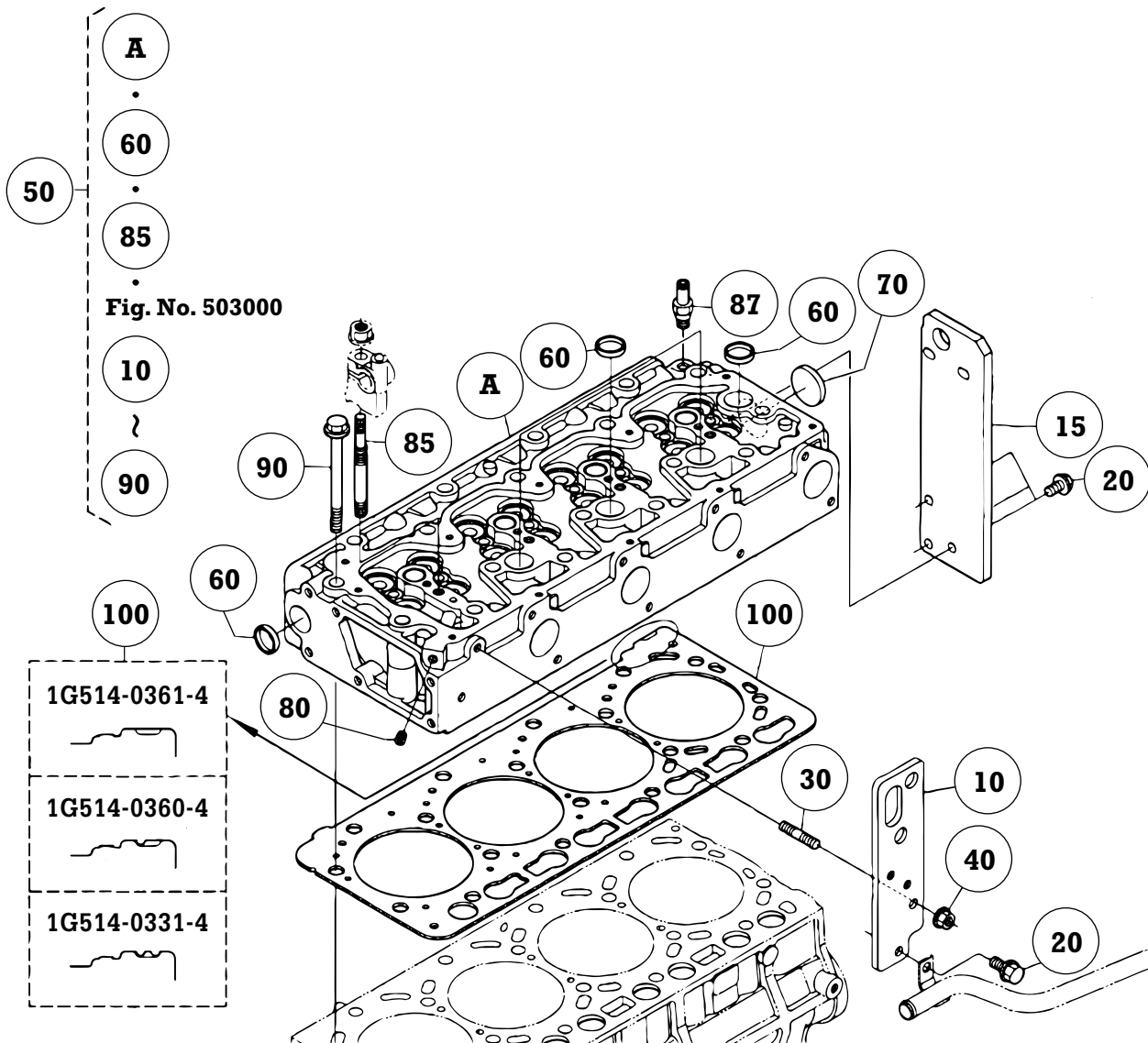
DIPSTICK AND GUIDE (501200)

REF	QTY.	PART NUMBER	DESCRIPTION
10	1		GUIDE, OIL GAUGE
20	1	097-01344	GAUGE, OIL

Bright Forklift

BD3-7570 with V3800 engine (S/N 32 and up)

CYLINDER HEAD (502000)





Bright Forklift

BD3-7570 with V3800 engine (S/N 32 and up)

CYLINDER HEAD (502000)

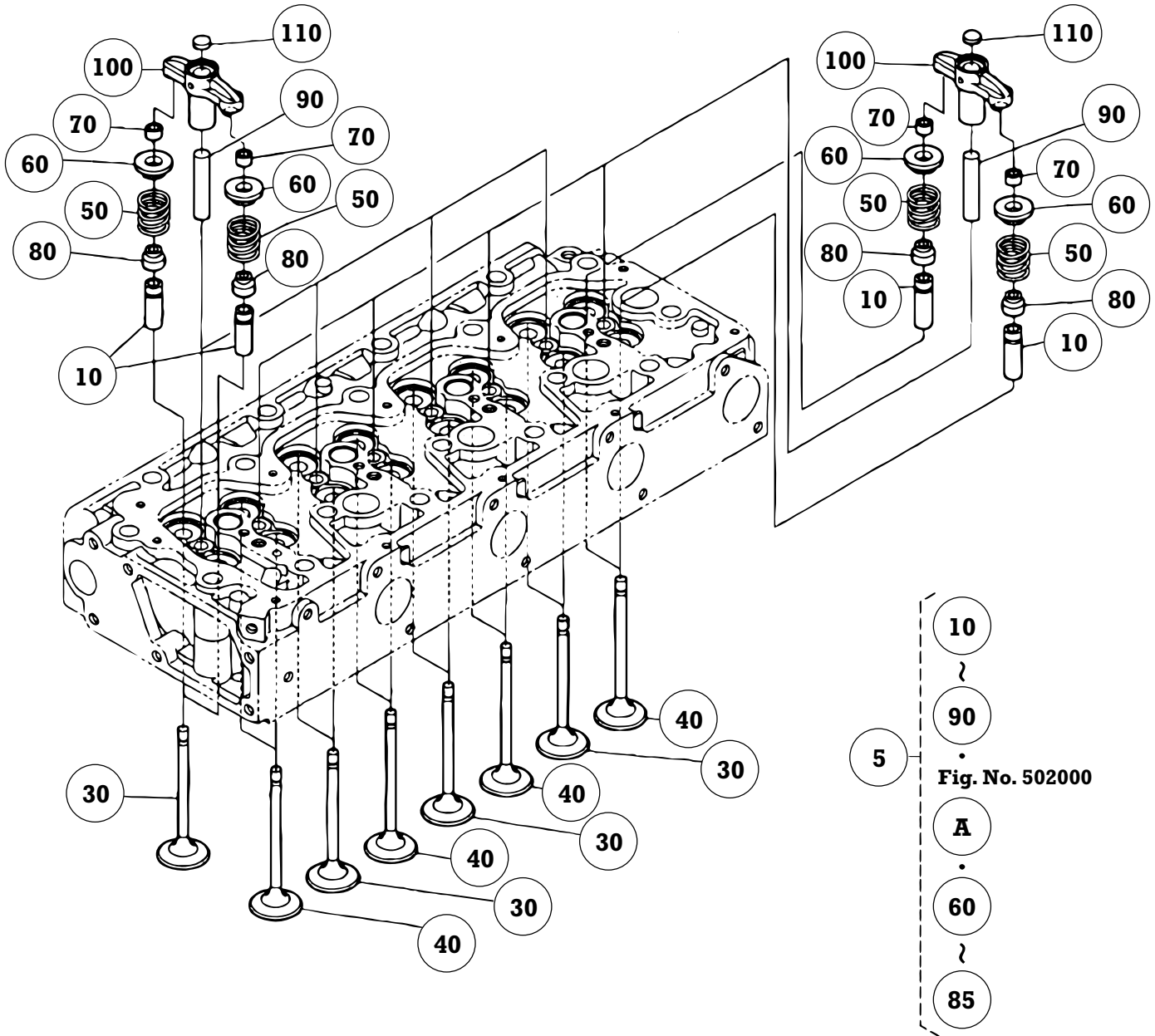
REF	QTY.	PART NUMBER	DESCRIPTION
10	1		HOOK, ENGINE
15	1		HOOK, ENGINE
20	4		BOLT, FLANGE
30	1		STUD
40	1		NUT, FLANGE
50	1		ASSEMBLY CYLINDER HEAD
60	5		PLUG, CUP TYPE
70	1		CAP, SEALING
80	1		PLUG
85	4		STUD
87	1		JOINT, PIPE (WATER)
90	18	430-00220	BOLT, CYLINDER HEAD
100	1	097-01345	GASKET, CYLINDER HEAD
	1	097-01346	GASKET, CYLINDER HEAD
	1	097-01347	GASKET, CYLINDER HEAD



Bright Forklift

BD3-7570 with V3800 engine (S/N 32 and up)

INLET VALVE AND EXHAUST VALVE (503000)





Bright Forklift

BD3-7570 with V3800 engine (S/N 32 and up)

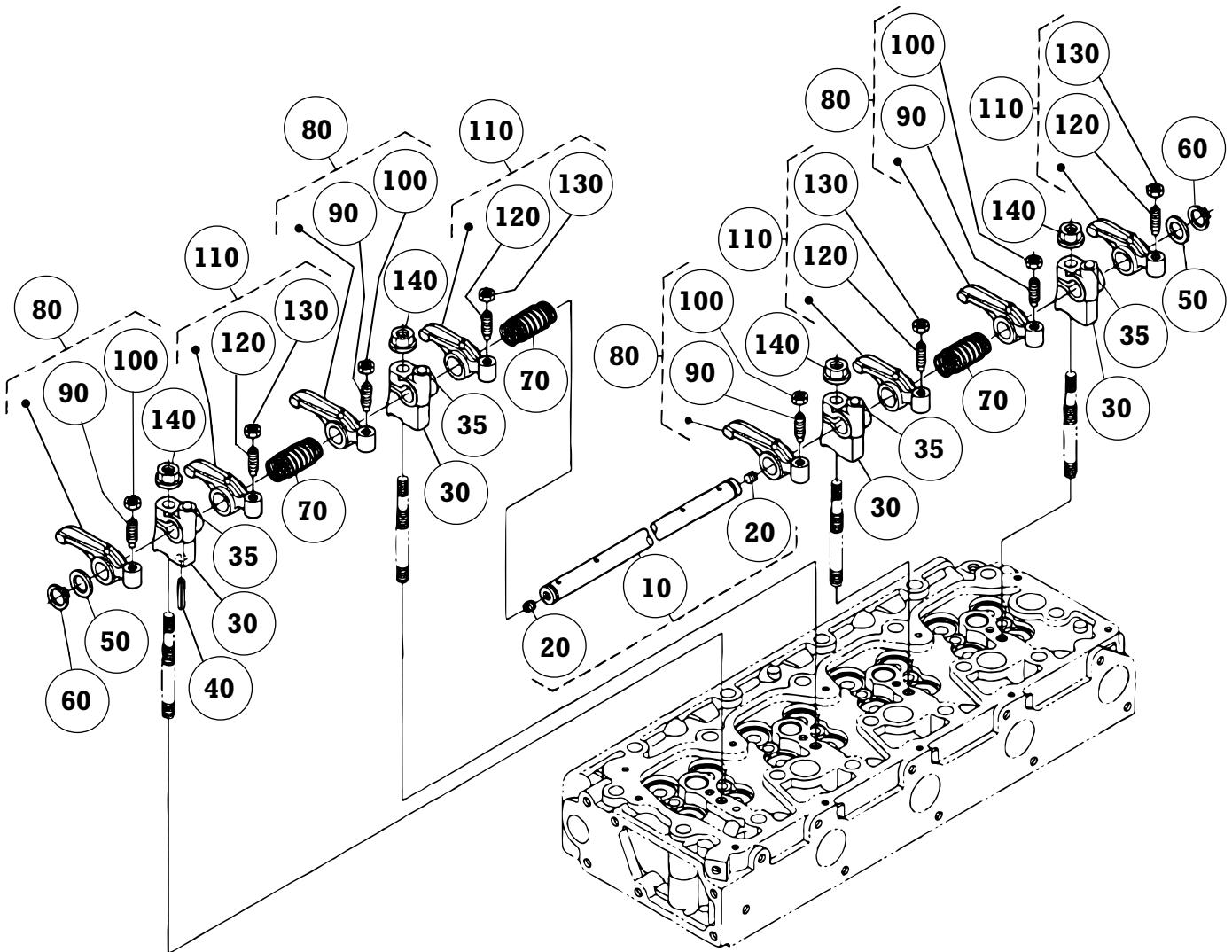
INLET VALVE AND EXHAUST VALVE (503000)

REF	QTY.	PART NUMBER	DESCRIPTION
5	1		ASSEMBLY CYLINDER HEAD
10	16		GUIDE, EXHAUST VALVE
20	8		VALVE, INLET
40	8		VALVE, EXHAUST
50	16		SPRING, VALVE
60	16		RETAINER, VALVE SPRING
70	16		SET, COLLET (VALVE SPRING)
80	16	097-01255	SEAL, VALVE STEM
90	8		SHAFT, VALVE BURIGE
100	8		ARM, VALVE BURI.
110	8		PAD

Bright Forklift

BD3-7570 with V3800 engine (S/N 32 and up)

ROCKER ARM SHAFT (504000)





Bright Forklift

BD3-7570 with V3800 engine (S/N 32 and up)

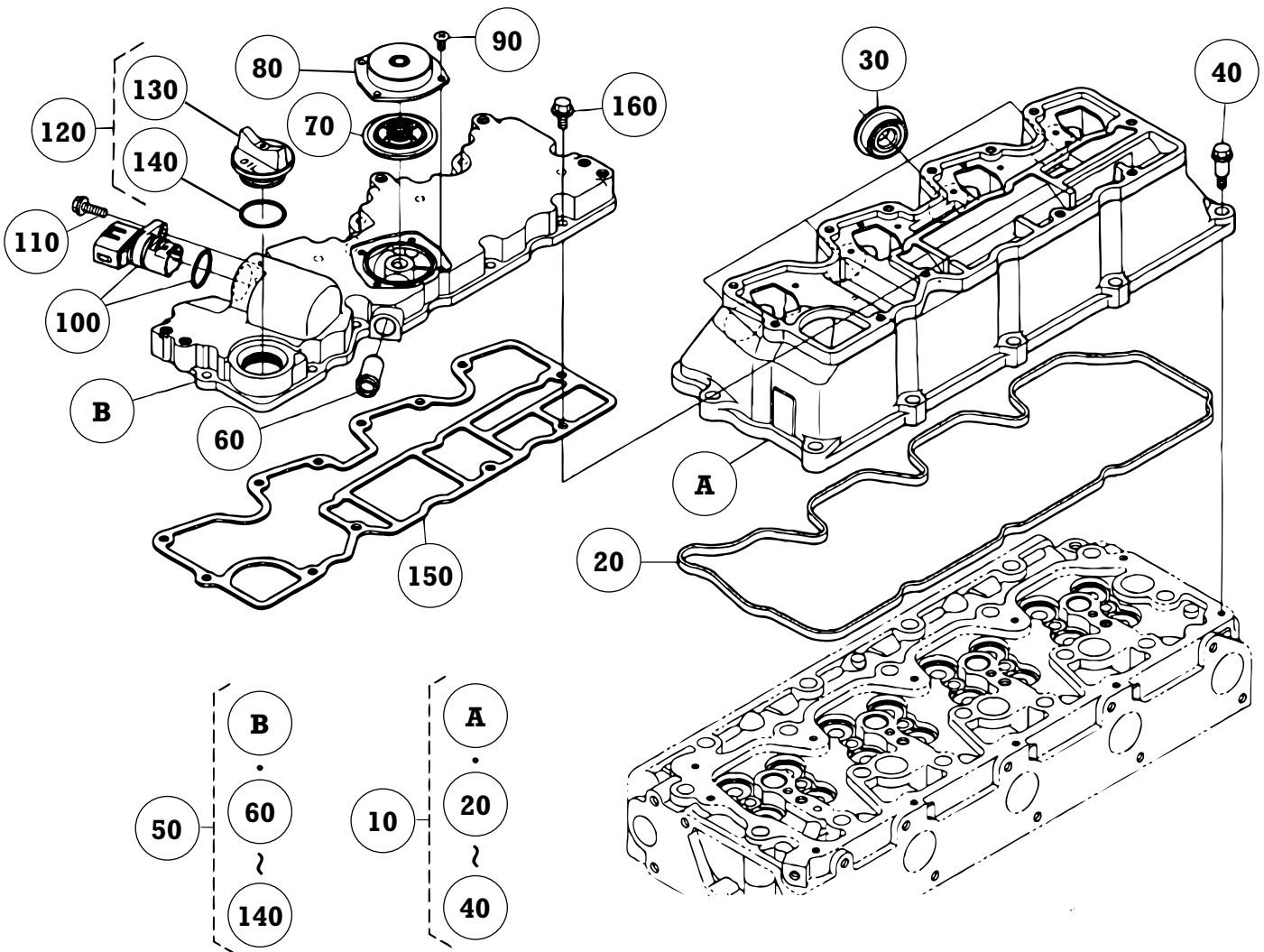
ROCKER ARM SHAFT (504000)

REF	QTY.	PART NUMBER	DESCRIPTION
10	1		ASSEMBLY SHAFT, ROCKER ARM
20	2		SCREW, SLOTTED
30	4		BRACKET, ROCKER ARM
35	4		BALL
40	1		SPRING PIN
50	2		WASHER
60	2		CIR-CLIP, EXTERNAL
70	3		SPRING (ROCKER ARM)
80	4		ASSEMBLY ROCKER ARM, INLET
90	4		SCREW
100	4		NUT
110	4		ASSEMBLY ROCKER ARM, EXHAUST
120	4		SCREW
130	4		NUT
140	4		NUT, FLANGE

Bright Forklift

BD3-7570 with V3800 engine (S/N 32 and up)

HEAD COVER (505000)





Bright Forklift

BD3-7570 with V3800 engine (S/N 32 and up)

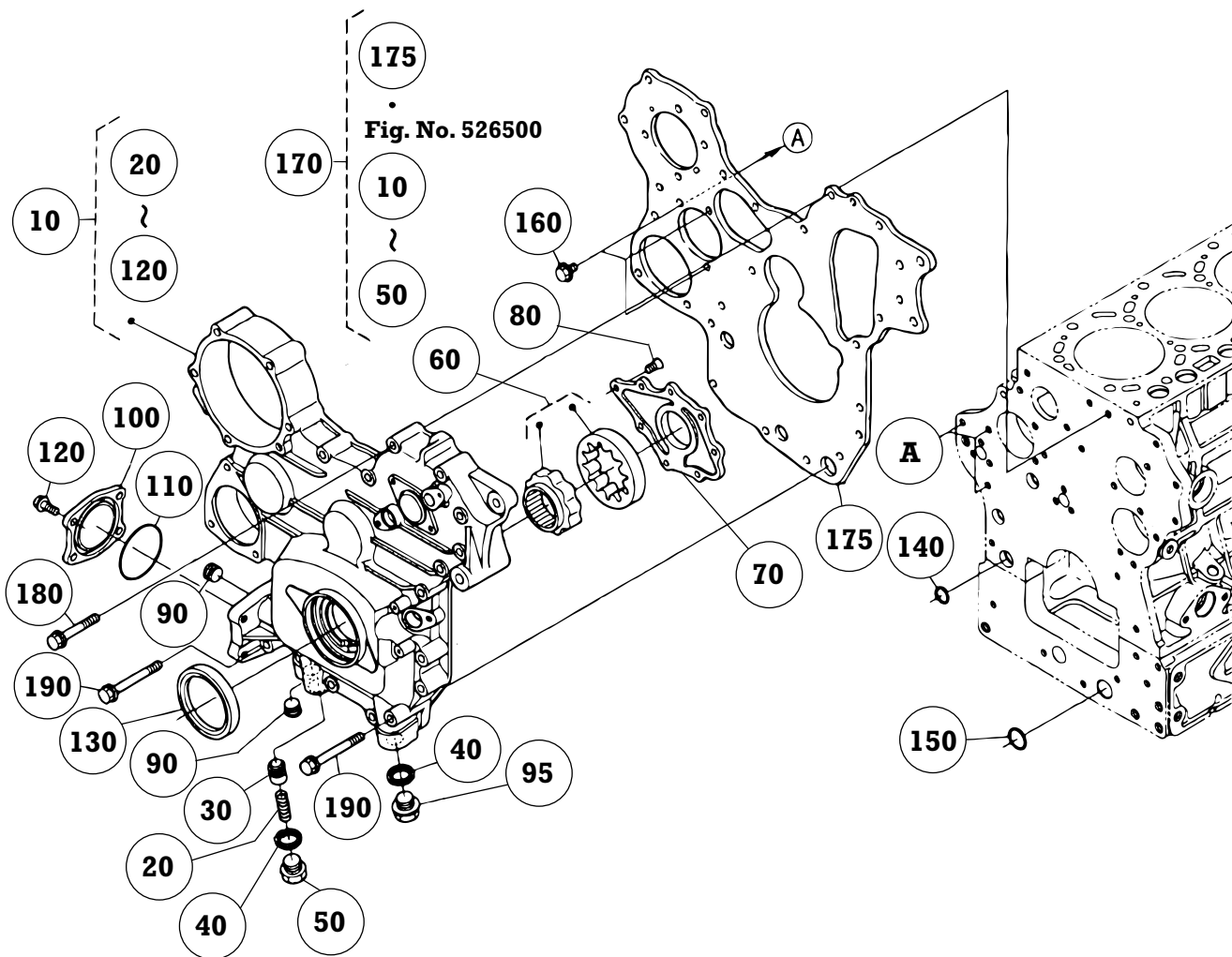
HEAD COVER (505000)

REF	QTY.	PART NUMBER	DESCRIPTION
10	1		ASSEMBLY COVER, CYLINDER HEAD
20	1	097-01348	GASKET, HEAD COVER
30	4	097-01182	SEAL, INJECTION PIPE
40	10	097-00128	BOLT
50	1		ASSEMBLY COVER, CYLINDER HEAD
60	1		JOINT, STR PIPE
70	1	097-01066	COMP VALVE, BREATHER
80	1	097-01039	COVER, BREATHER
90	4		SCREW, PAN HEAD (PHILLIPS)
100	1		ASSEMBLY CONNECTOR, 2
110	1	097-01350	BOLT, FLANGE
120	1		ASSEMBLY PLUG, OIL FILLER
130	1	097-01184	PLUG (OIL FILLER)
140	1	097-00130	O-RING
150	1	097-01349	GASKET (COVER, HEAD)
160	12	097-01350	BOLT, FLANGE

Bright Forklift

BD3-7570 with V3800 engine (S/N 32 and up)

GEAR CASE (508000)





Bright Forklift

BD3-7570 with V3800 engine (S/N 32 and up)

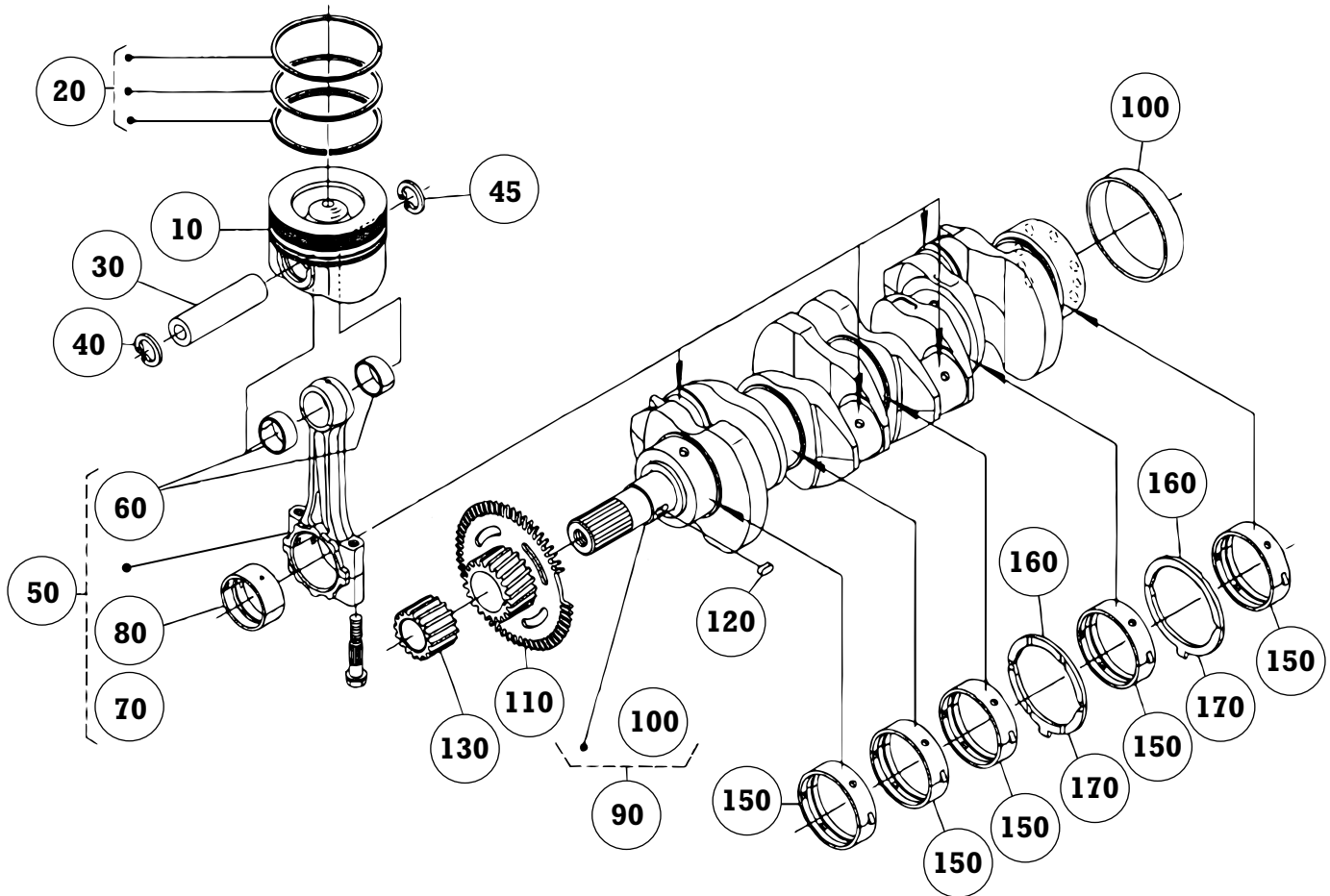
GEAR CASE (508000)

REF	QTY.	PART NUMBER	DESCRIPTION
10			ASSEMBLY CASE, GEAR
20	1		SPRING
30	1		VALVE, RELIEF
40	2		PACKING
50	1		PLUG
60	1		ROTOR, ASSEMBLY (OIL PUMP)
70	1		COVER, OIL PUMP
80	8		SCREW, FLAT HEAD (PHILLIPS)
90	2		PLUG
95	1		PLUG, DRAIN
100	1		COVER, OIL FILTER
110	1		O-RING
120	4		BOLT, FLANGE
130	1		SEAL, OIL
140	1		O-RING
150	1		O-RING
160	3		BOLT, FLANGE
170	1		PLATE, ASSEMBLY (GEAR CASE)
175	1		PLATE, GEAR CASE
180	11		BOLT, FLANGE
190	2		BOLT, FLANGE

Bright Forklift

BD3-7570 with V3800 engine (S/N 32 and up)

PISTON AND CRANKSHAFT (511000)





Bright Forklift

BD3-7570 with V3800 engine (S/N 32 and up)

PISTON AND CRANKSHAFT (511000)

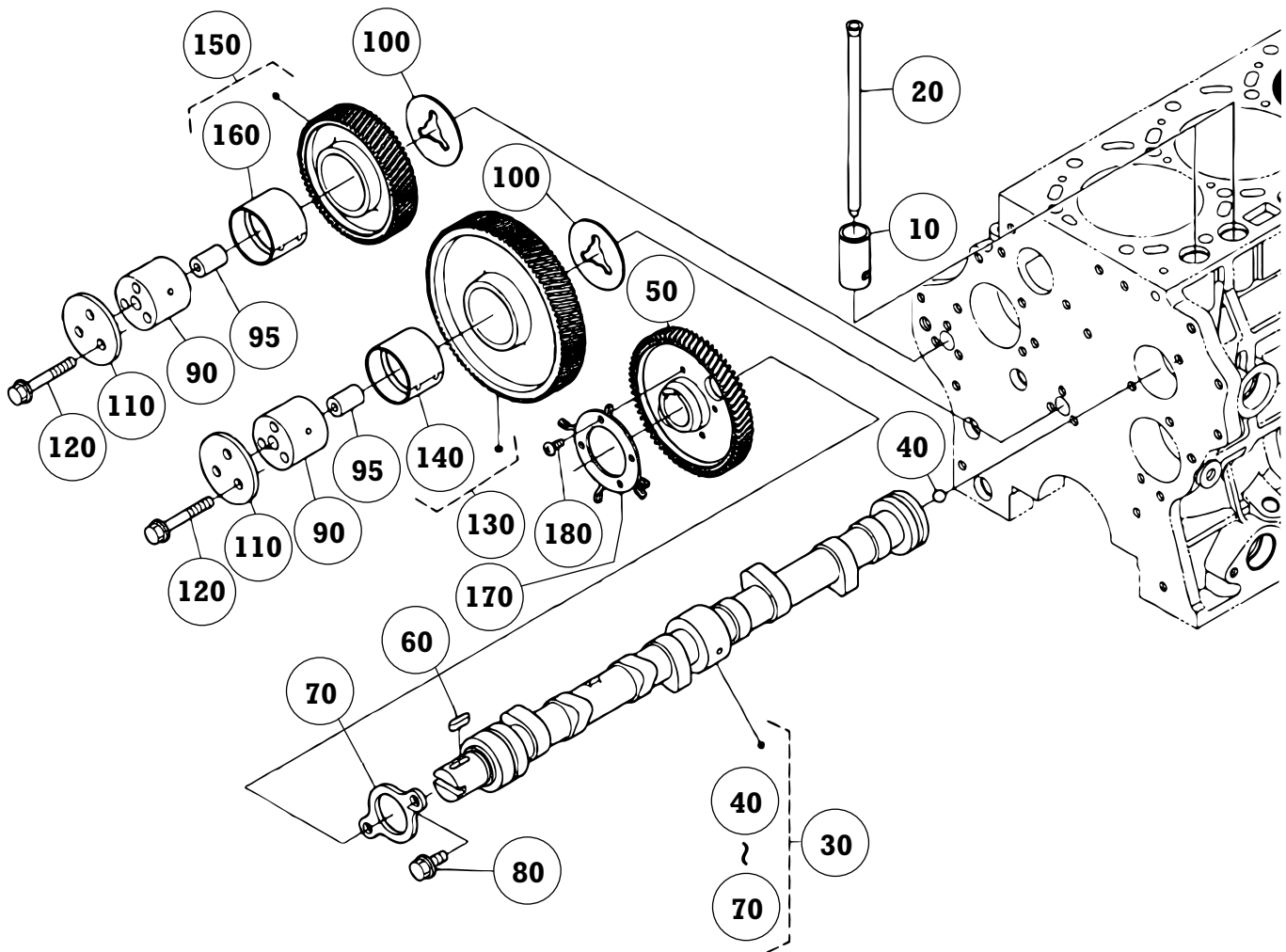
REF	QTY.	PART NUMBER	DESCRIPTION
10	4		PISTON STANDARD
	4		PISTON +0.5 MM
20	4		RING,PISTON, ASSEMBLY STANDARD
	4		RING, PISTON, ASSEMBLY +0.5 MM
30	4		PISTON PIN
40	4		CIR-CLIP, INTERNAL
45	4		CIR-CLIP, INTERNAL
50	4		ASSEMBLY ROD, CONNECTING
60	8		BUSHING (PISTON PIN, SS)
70	8		BOLT (ROD, CONNECTING)
80	4		METAL, CRANKPIN STANARD/BLUE/SET
	4		METAL, CRANKPIN STANDARD/SET
	4		METAL, CRANKPIN -0.2 MM/GREEN/SET
	4		METAL, CRANKPIN -0.4MM/RED/SET
90	1		COMP. CRANKSHAFT
100	1		SLEEVE (CRANKSHAFT)
110	1		GEAR COMP, CRANKSHAFT
120	1		KEY, FEATHER
130	1		GEAR, OIL PUMP DRIVE
150	5		METAL, CRANKSHAFT STANDARD/SET
	5		METAL, CRANKSHAFT -0.2 MM/SET
	5		METAL, CRANKSHAFT -0.4MM/SET
160	2		METAL, SIDE STANDARD
	2		METAL, SIDE +0.2 MM
	2		METAL, SIDE +0.4 MM
170	2		METAL, SIDE STANDARD
	2		METAL, SIDE +0.2 MM
	2		METAL, SIDE +0.4 MM



Bright Forklift

BD3-7570 with V3800 engine (S/N 32 and up)

CAMSHAFT AND IDLE GEAR SHAFT (512000)





Bright Forklift

BD3-7570 with V3800 engine (S/N 32 and up)

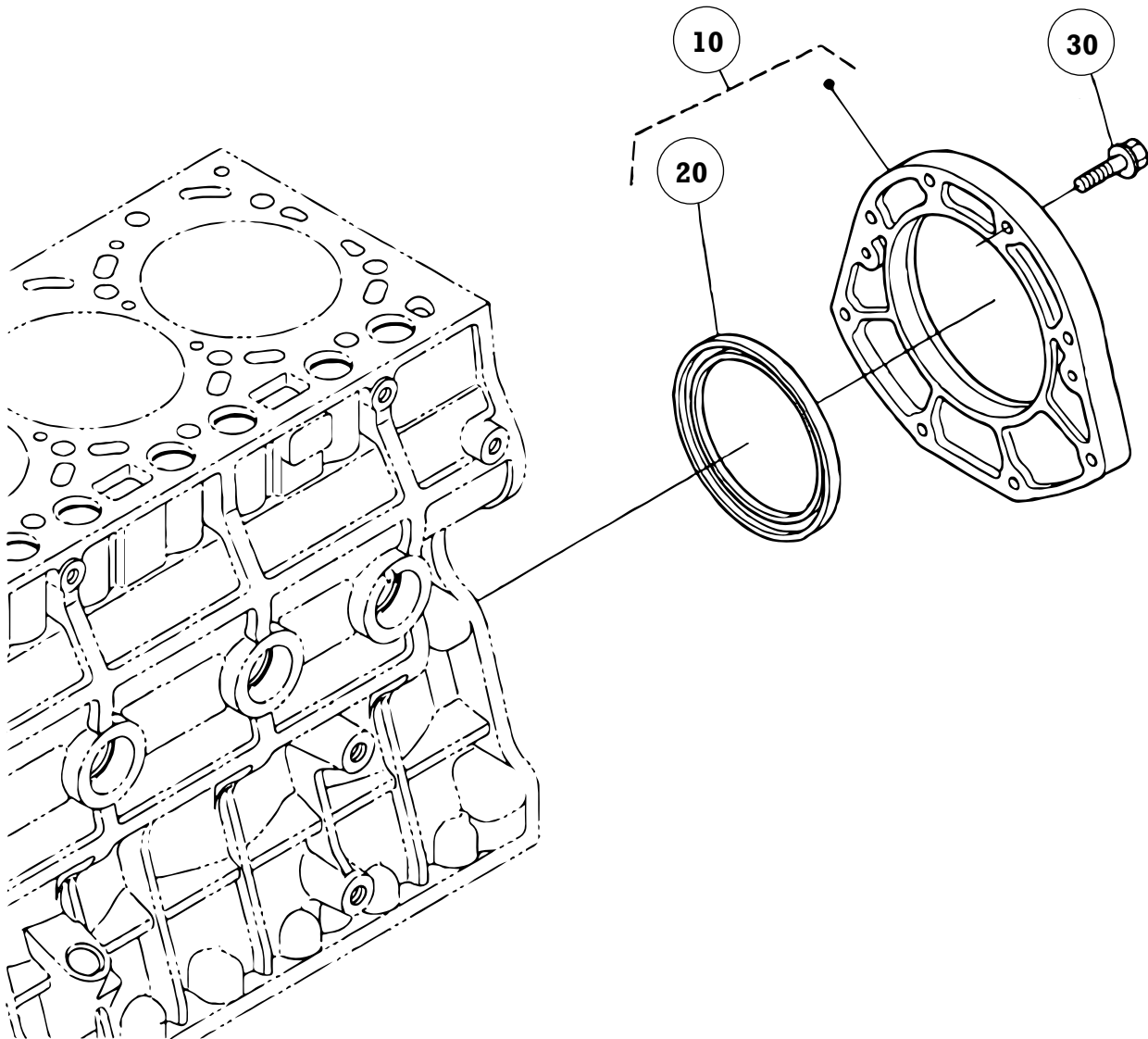
CAMSHAFT AND IDLE GEAR SHAFT (512000)

REF	QTY.	PART NUMBER	DESCRIPTION
10	8		TAPPET
20	8		PUSH ROD
30	1		ASSEMBLY CAMSHAFT
40	1		BALL
50	1		GEAR, CAM
60	1		KEY, FEATHER
70	1		STOPPER (CAMSHAFT)
80	2		BOLT, FLANGE
90	2		SHAFT (IDLE GEAR)
95	2		PIN (GEAR IDLE)
100	2		COLLAR (IDLE GEAR)
110	2		COLLAR (IDLE GEAR)
120	6		BOLT, FLANGE
130	1		COMP. GEAR, IDLE
140	1		BUSH, IDLE GEAR
150	1		GEAR, COMP (IDLE)
160	1		BUSH, IDLE GEAR
170	1		GEAR (G-PULSER)
180	4		SCREW, BIN DING (PHILLIPS)

Bright Forklift

BD3-7570 with V3800 engine (S/N 32 and up)

BEARING CASE COVER (514000)





Bright Forklift

BD3-7570 with V3800 engine (S/N 32 and up)

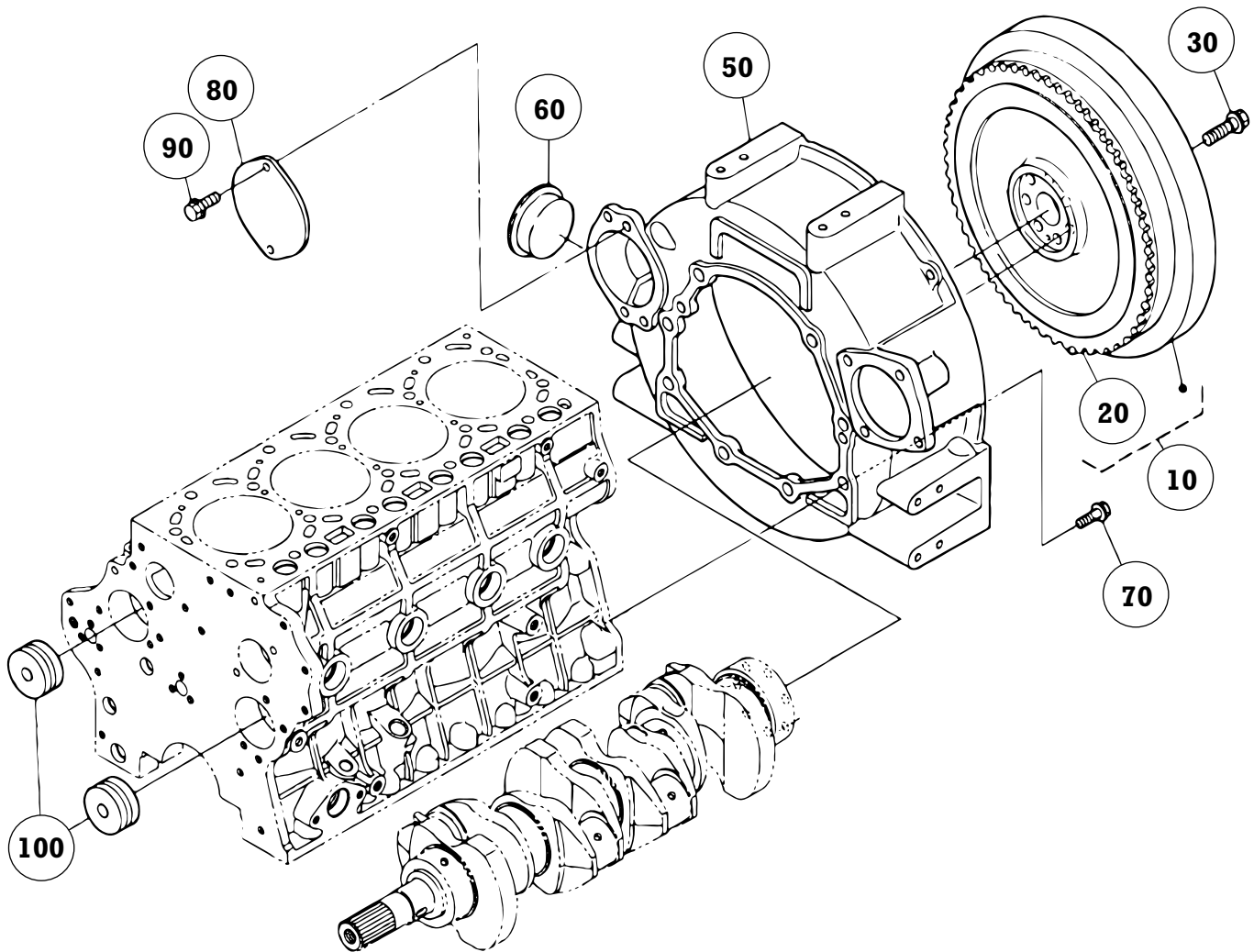
BEARING CASE COVER (514000)

REF	QTY.	PART NUMBER	DESCRIPTION
10	1		ASSEMBLY COVER, BEARING CASE
20	1	630-00059	SEAL, OIL
30	8		BOLT, FLANGE

Bright Forklift

BD3-7570 with V3800 engine (S/N 32 and up)

FLYWHEEL (515000)





Bright Forklift

BD3-7570 with V3800 engine (S/N 32 and up)

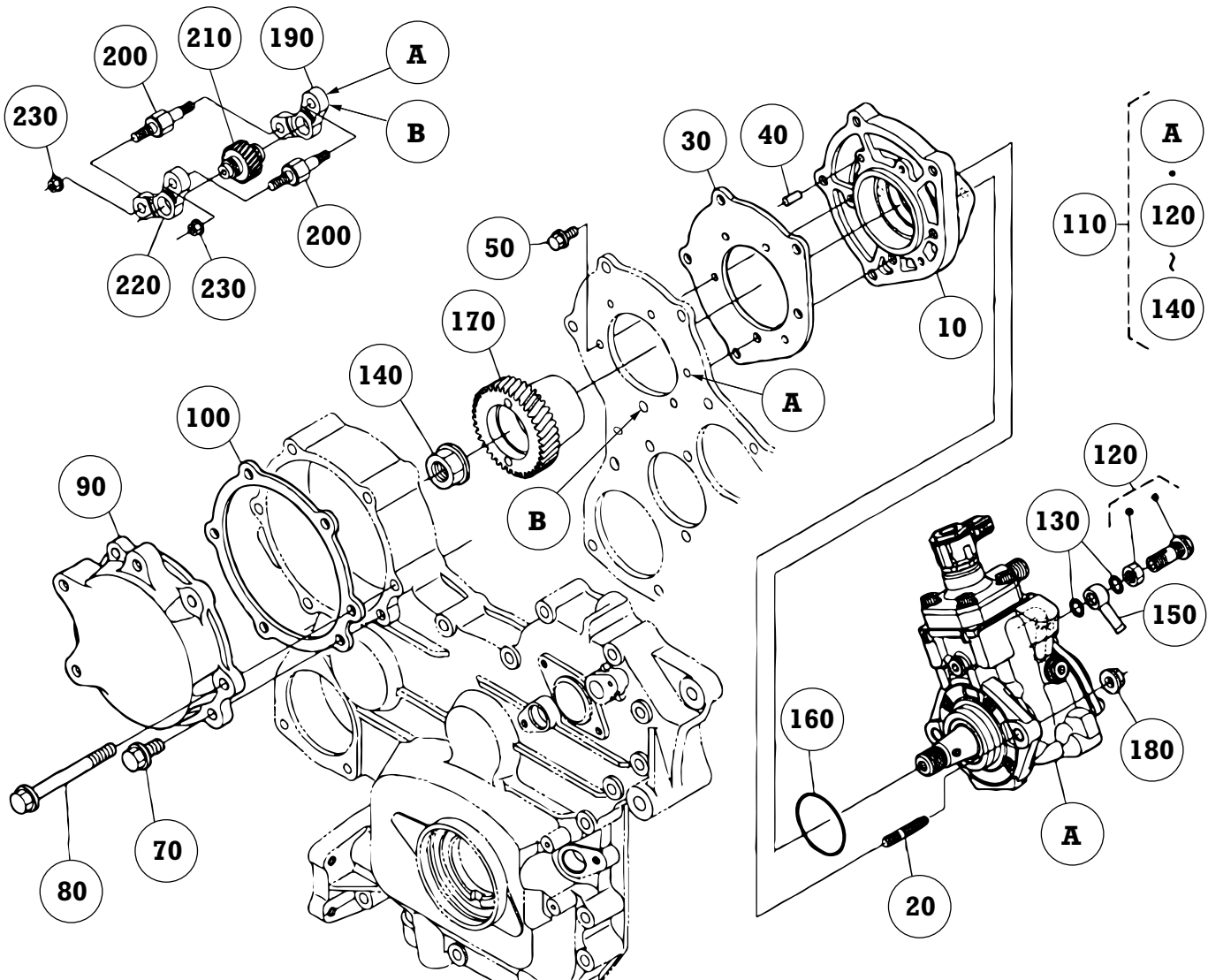
FLYWHEEL (515000)

REF	QTY.	PART NUMBER	DESCRIPTION
10	1	097-01351	COMPLETE FLYWHEEL
20	1	097-01352	GEAR, RING
30	7	097-01353	BOLT
50	1		HOUSING, FLYWHEEL
60	1		COVER
70	8	097-01354	BOLT, FLANGE
80	1		COVER, FW HOUSING
90	2		BOLT, FLANGE
100	2		COVER, BLANCER

Bright Forklift

BD3-7570 with V3800 engine (S/N 32 and up)

SUPPLY PUMP (526500)





Bright Forklift

BD3-7570 with V3800 engine (S/N 32 and up)

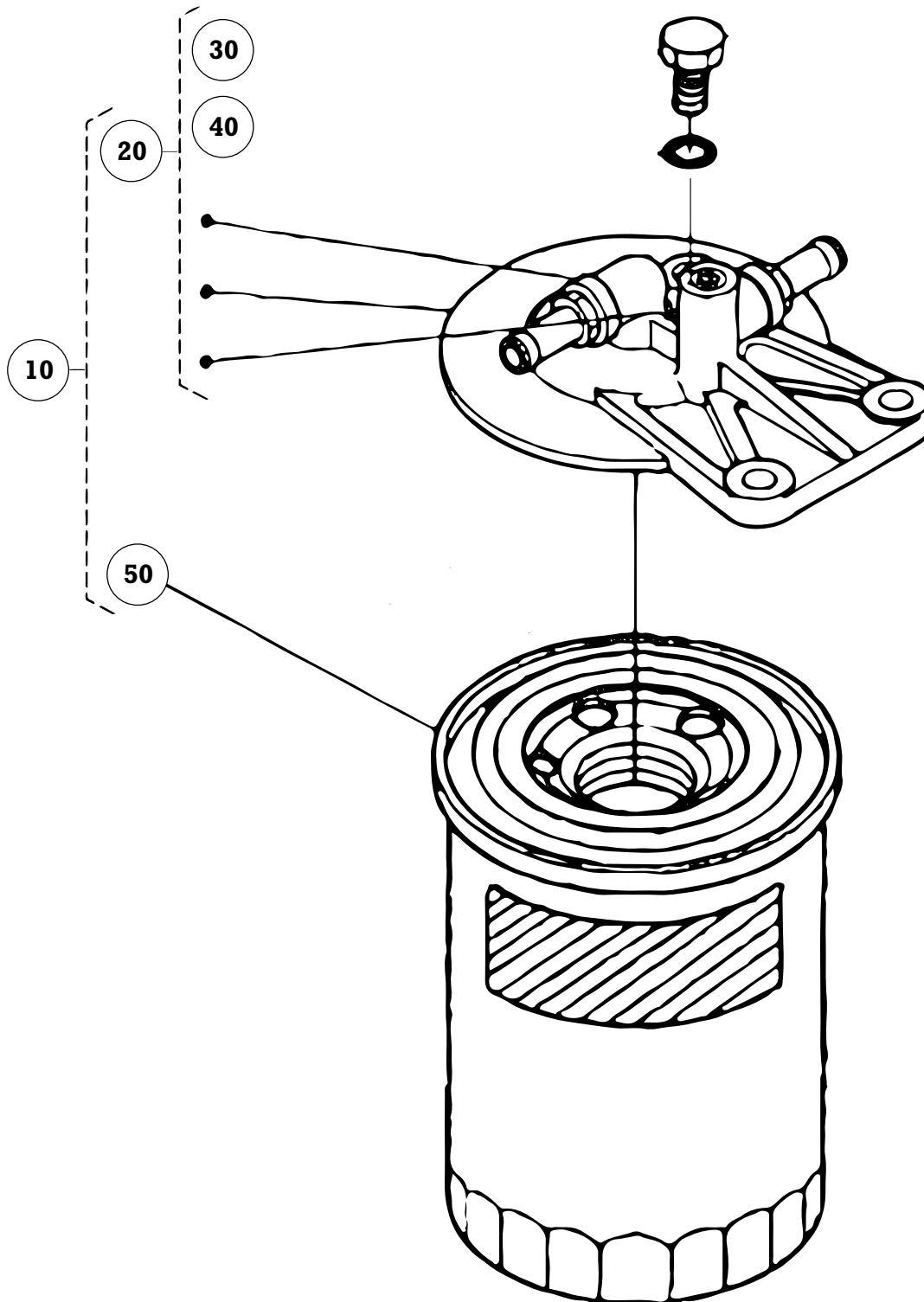
SUPPLY PUMP (526500)

REF	QTY.	PART NUMBER	DESCRIPTION
10	1		BASE (SUPPLY PUMP)
20	2	097-01355	STUD
30	1	097-01356	GASKET (SUPPLY PUMP BASE)
40	1	097-01357	PIN, STRAIGHT
50	2	097-00913	BOLT, FLANGE
70	1	097-01265	BOLT, FLANGE
80	5	097-00916	BOLT, FLANGE
90	1		COVER (INJECTION PUMP)
100	1	097-01358	GASKET, IP COVER
110	1	097-01359	PUMP, ASSEMBLY (SUPPLY)
120	1	097-01360	BOLT, CONNECTING, COMPLETE
130	2	097-01361	GASKET
140	1		NUT, FLANGE
150	1		JOINT, EYE
160	1	097-01190	GASKET (PUMP)
170	1		GEAR (SUPPLY PUMP)
180	2	097-00274	NUT, FLANGE
190	1		HOLDER (3, IDLE)
200	2		BOLT (IDLE GEAR, 3)
210	1		GEAR (3, IDLE)
220	1		HOLDER (3, IDLE)
230	2	097-00274	NUT, FLANGE

Bright Forklift

BD3-7570 with V3800 engine (S/N 32 and up)

FUEL FILTER (531000)





Bright Forklift

BD3-7570 with V3800 engine (S/N 32 and up)

FUEL FILTER (531000)

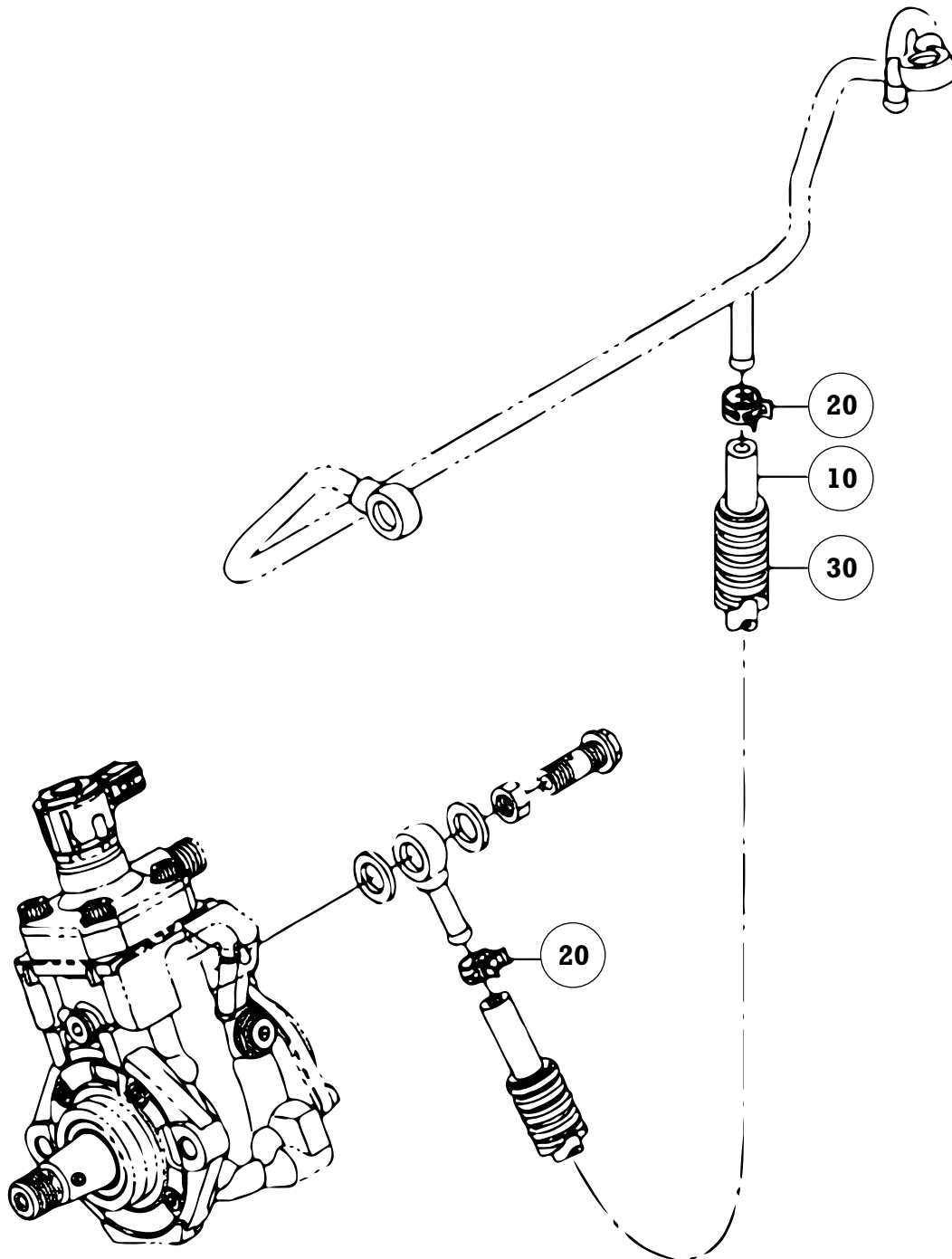
REF	QTY.	PART NUMBER	DESCRIPTION
10	1	097-24903	FILTER, ASSEMBLY (FUEL)
20	1		BASE, FILTER
30	1		PLUG (M8 X 1.25)
40	1		GASKET
50	1	097-24900	CARTRIDGE, FILTER



Bright Forklift

BD3-7570 with V3800 engine (S/N 32 and up)

FUEL PIPE (531500)





Bright Forklift

BD3-7570 with V3800 engine (S/N 32 and up)

FUEL PIPE (531500)

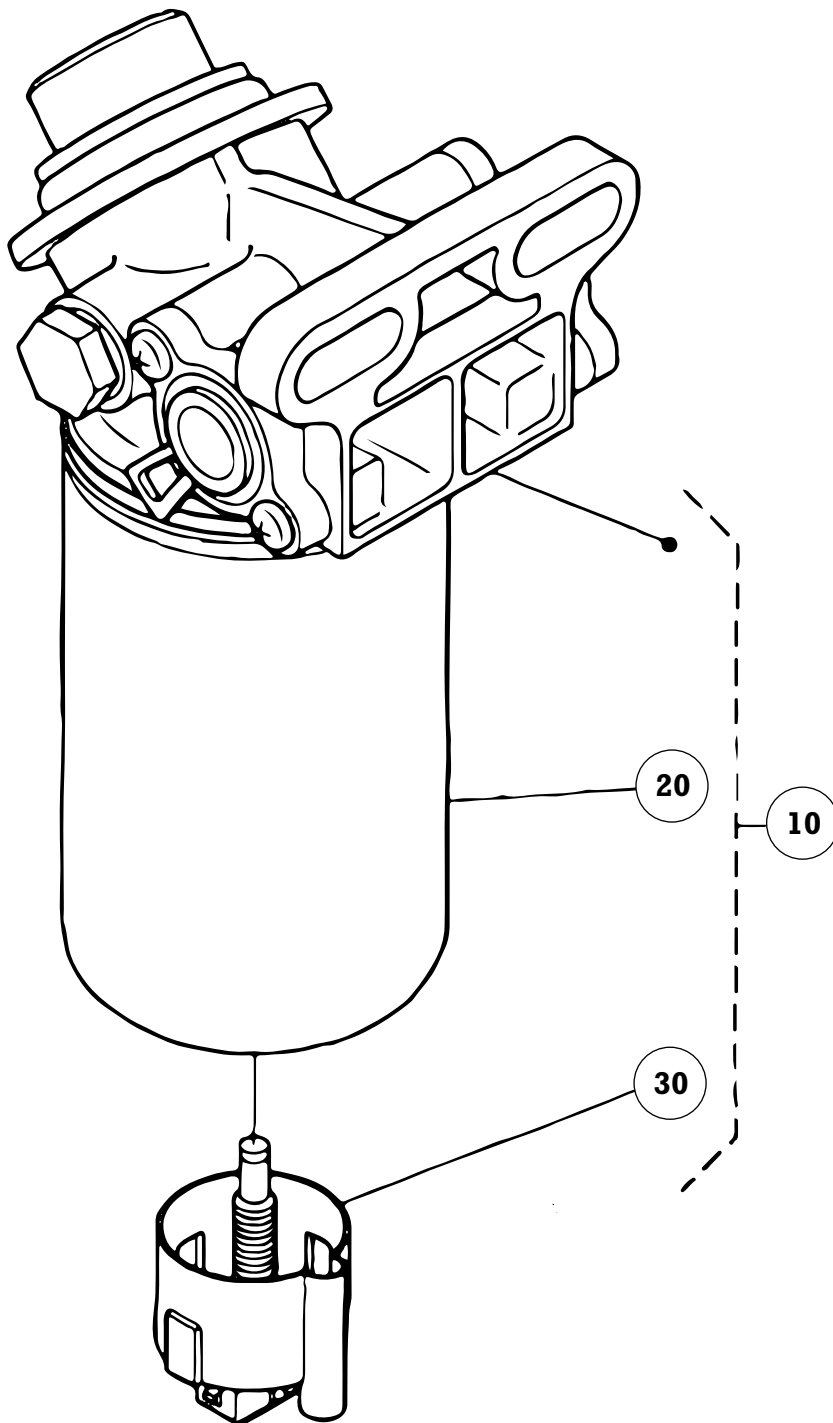
REF	QTY.	PART NUMBER	DESCRIPTION
10	1		TUBE, FUEL
20	2		CLIP, PIPE
30	1		TUBE (CORRUGATE)



Bright Forklift

BD3-7570 with V3800 engine (S/N 32 and up)

SEPARATOR (532500)





Bright Forklift

BD3-7570 with V3800 engine (S/N 32 and up)

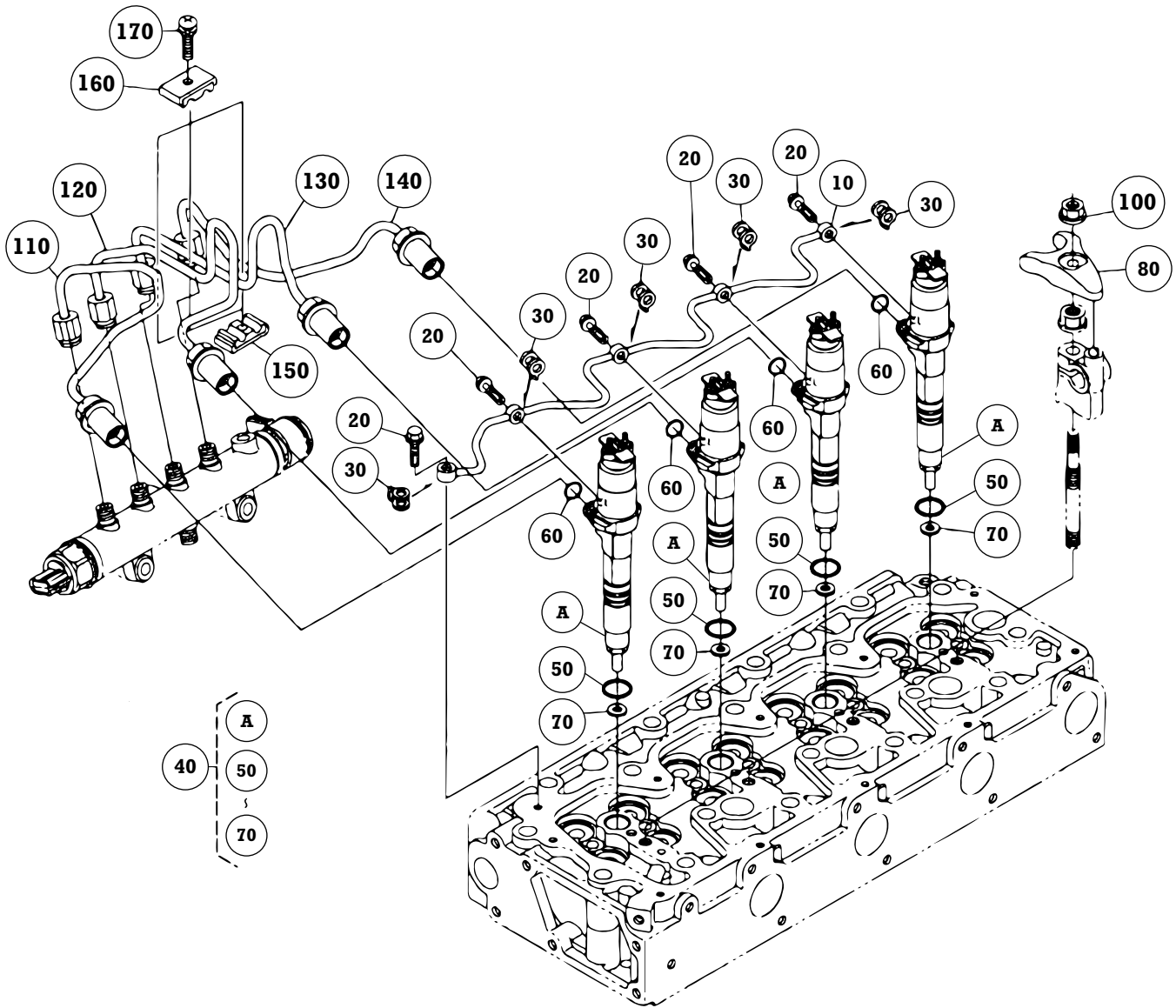
SEPARATOR (532500)

REF	QTY.	PART NUMBER	DESCRIPTION
10	1	097-24904	FILTER ASSEMBLY (WITH SEPARATOR)
20	1	097-20971	FILTER
30	1	097-01193	SWITCH, ASSEMBLY

Bright Forklift

BD3-7570 with V3800 engine (S/N 32 and up)

INJECTION PIPE (545000)





Bright Forklift

BD3-7570 with V3800 engine (S/N 32 and up)

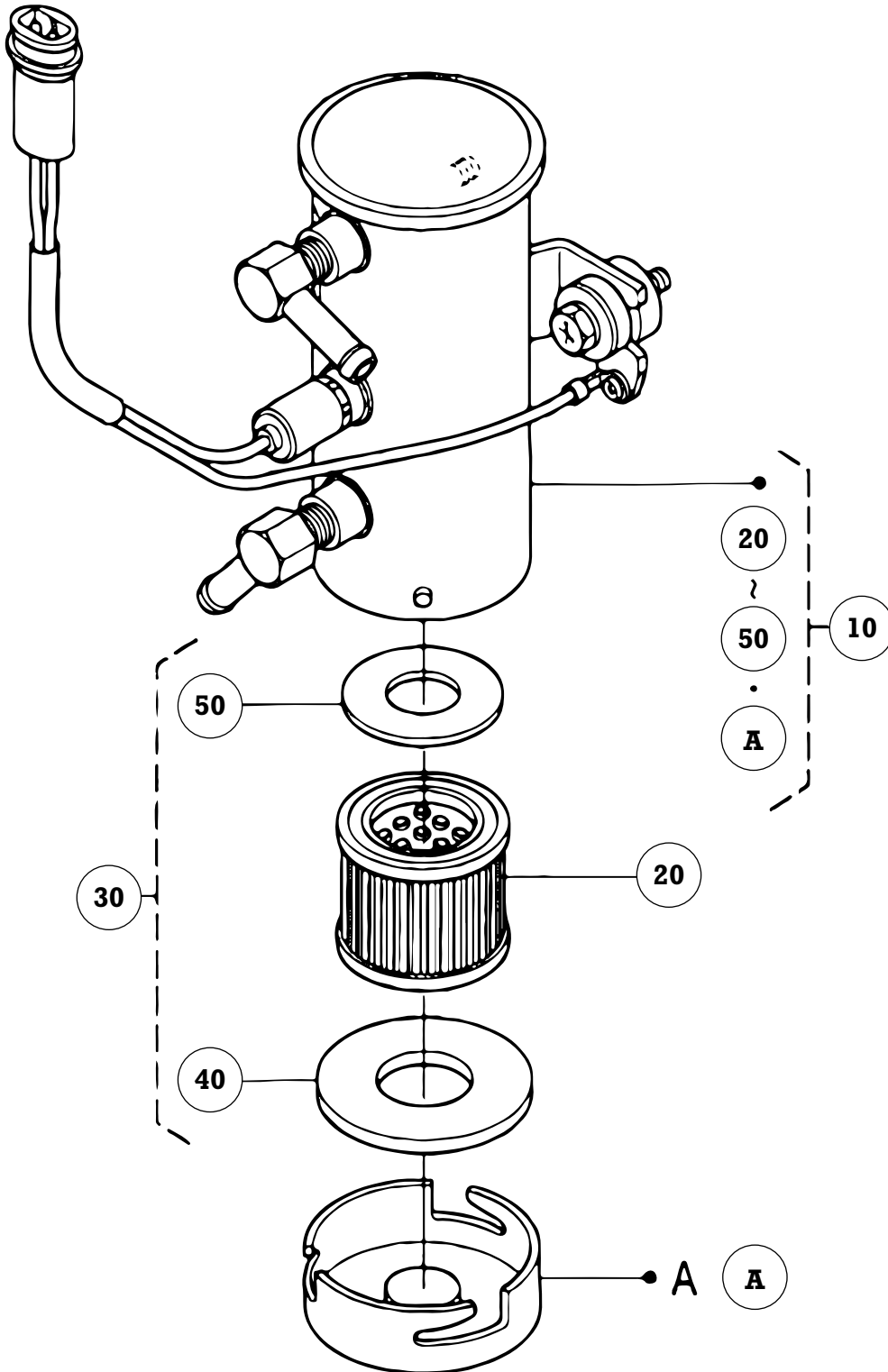
INJECTION PIPE (545000)

REF	QTY.	PART NUMBER	DESCRIPTION
10	1		ASSEMBLY PIPE, OVER FLOW
20	5		BOLT (JOINT, SWV PIPE)
30	5	097-01194	GASKET
40	4	097-01362	INJECTOR, KIT
50	4	097-01363	O-RING
60	4	097-01364	O-RING
70	4	097-01135	PACKING
80	4		CLAMP
100	4	097-00274	NUT, FLANGE
110	1		PIPE (INJECTION)
120	1		PIPE (INJECTION, 2)
130	1		PIPE (INJECTION, 3)
140	1		PIPE (INJECTION, 4)
150	3		CLAMP, PIPE
160	3		CLAMP, PIPE
170	3		SCREW, SEMS (PAN HEAD)

Bright Forklift

BD3-7570 with V3800 engine (S/N 32 and up)

FUEL PUMP (ELECTRICAL) (547100)





Bright Forklift

BD3-7570 with V3800 engine (S/N 32 and up)

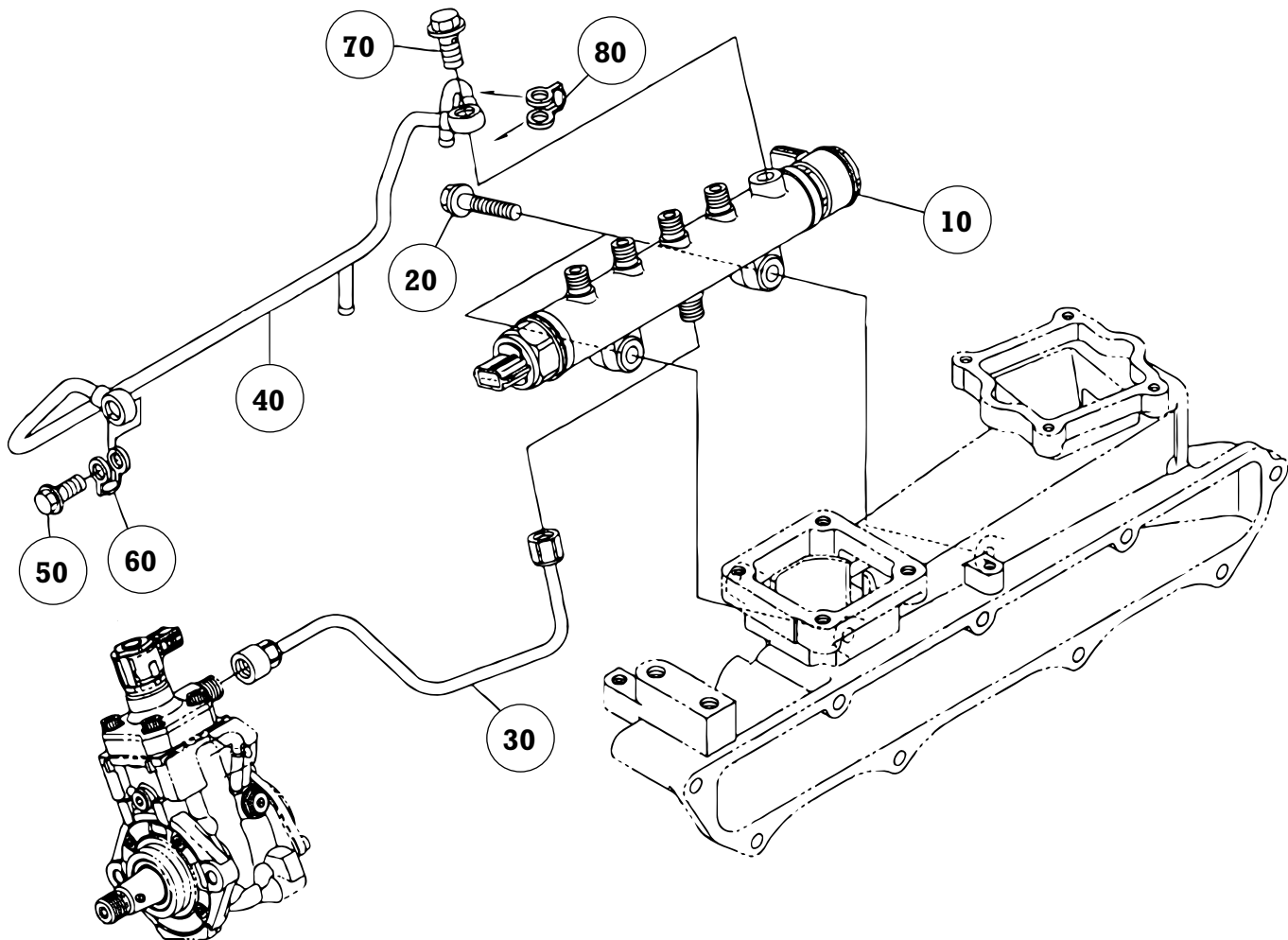
FUEL PUMP (ELECTRICAL) (547100)

REF	QTY.	PART NUMBER	DESCRIPTION
10	1	097-01365	COMP. PUMP, FUEL
20	1	097-01366	FILTER
30	1	097-01367	KIT, GASKET
40	1	097-01368	GASKET
50	1	097-01369	GASKET

Bright Forklift

BD3-7570 with V3800 engine (S/N 32 and up)

COMMON RAIL (548000)





Bright Forklift

BD3-7570 with V3800 engine (S/N 32 and up)

COMMON RAIL (548000)

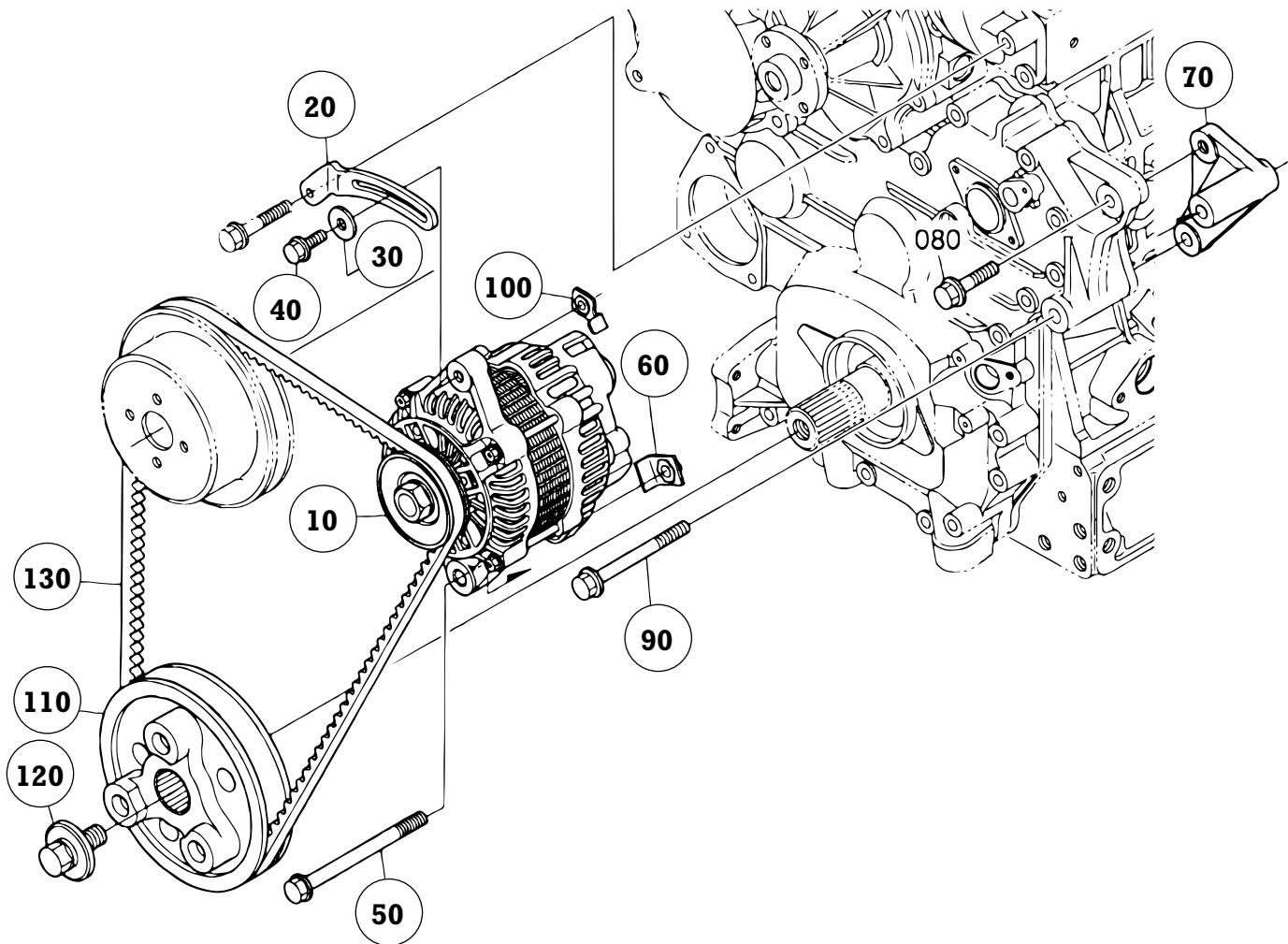
REF	QTY.	PART NUMBER	DESCRIPTION
10	1	097-01370	RAIL, ASSEMBLY
20	2	097-00292	BOLT, FLANGE
30	1		PIPE (INJECTION,A)
40	1		PIPE, COMP (2,OVERFLOW)
50	1	097-01111	BOLT, CONNECTING
60	1	097-01025	GASKET
70	1		BOLT, CONNECTING
80	1		GASKET



Bright Forklift

BD3-7570 with V3800 engine (S/N 32 and up)

ALTERNATOR AND PULLEY (550000)





Bright Forklift

BD3-7570 with V3800 engine (S/N 32 and up)

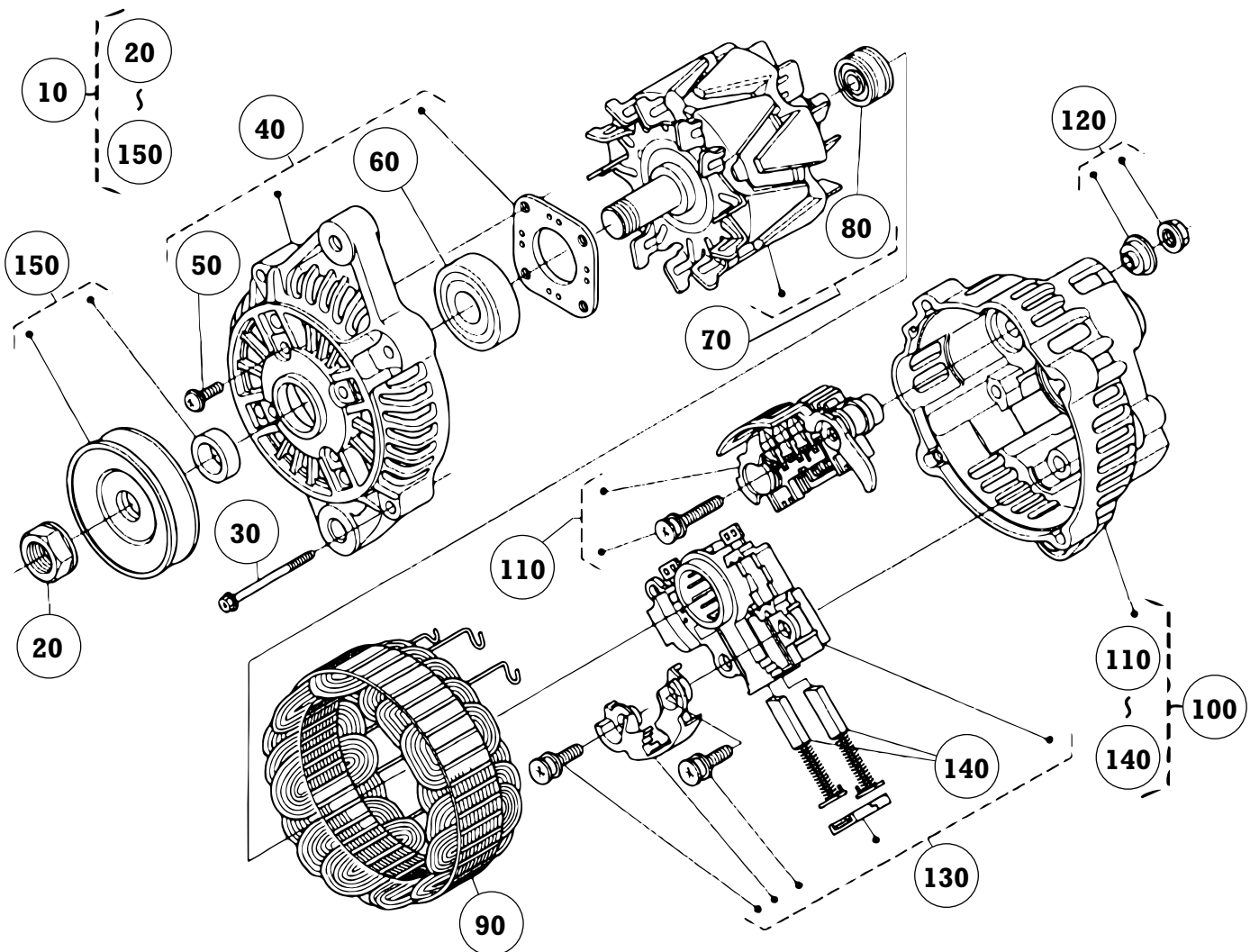
ALTERNATOR AND PULLEY (550000)

REF	QTY.	PART NUMBER	DESCRIPTION
010	1	097-01371	ALTERNATOR, ASSEMBLY
020	1	097-01372	STAY, DYNAMO
030	1	097-01266	WASHER, PLAIN
040	1	097-01373	BOLT, FLANGE
050	1		BOLT, FLANGE
060	1		METAL FITTING DYNAMO
070	1		SUPPORT (ALTERNATOR)
080	1		BOLT, FLANGE
090	1		BOLT, FLANGE
100	1		STAY, ALTERNATOR
110	1		PULLEY, FAN DRIVE
120	1		BOLT
130	1	097-01374	BELT, FAN

Bright Forklift

BD3-7570 with V3800 engine (S/N 32 and up)

ALTERNATOR COMPONENT PARTS (551000)





Bright Forklift

BD3-7570 with V3800 engine (S/N 32 and up)

ALTERNATOR COMPONENT PARTS (551000)

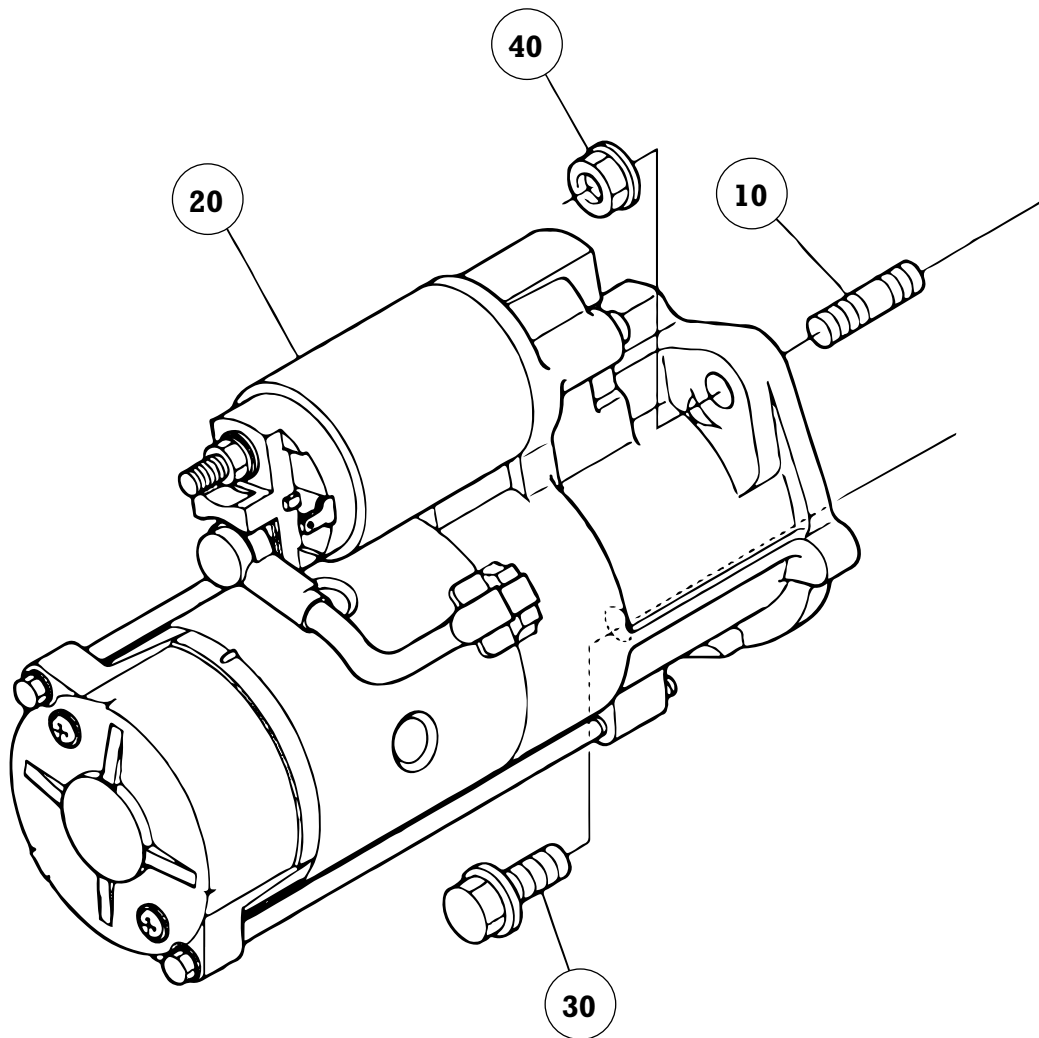
REF	QTY.	PART NUMBER	DESCRIPTION
10	1	097-01371	ALTERNATOR, ASSEMBLY
20	1		NUT
30	1		BOLT
40	1		BRACKET, ASSEMBLY (FRONT)
50	1		BOLT
60	1		BEARING
70	1		ROTOR, ASSEMBLY
80	1		BEARING
90	1		STATOR, ASSEMBLY
100	1		BRACKET, ASSEMBLY (REAR) <=2KFZ999
	1		BRACKET, ASSEMBLY (REAR) >=2KG0001
110	1		RECTIFIER, ASSEMBLY <=2KFZ999
	1		RECTIFIER, ASSEMBLY >=2KG0001
120	1		NUT
130	1		SET, REGULATOR <=2KFZ999
	1		REGULATOR >=2KG0001
140	1		SET BRUSH
150	1		ASSEMBLY PULLEY



Bright Forklift

BD3-7570 with V3800 engine (S/N 32 and up)

STARTER (554000)





Bright Forklift

BD3-7570 with V3800 engine (S/N 32 and up)

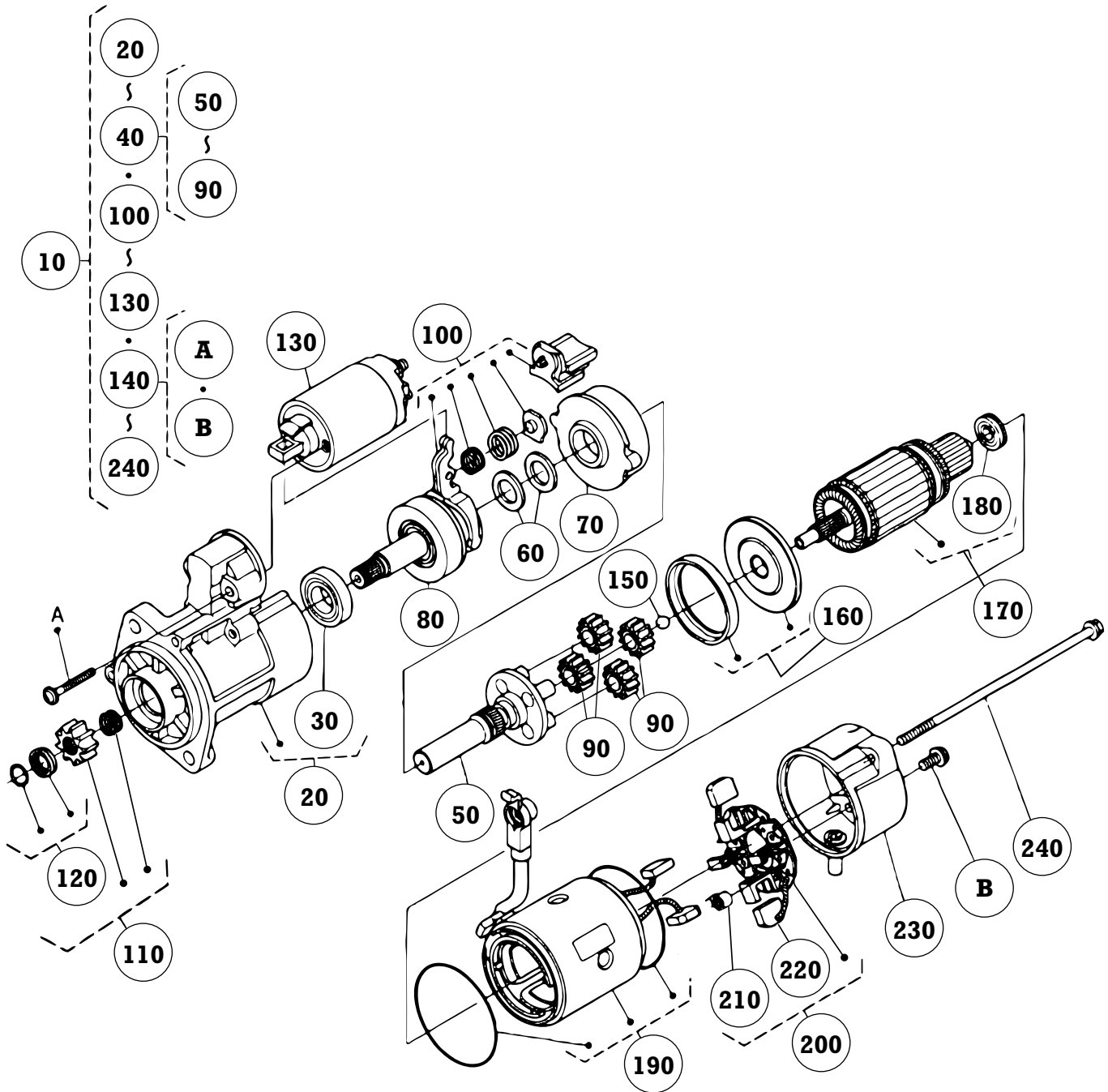
STARTER (554000)

REF	QTY.	PART NUMBER	DESCRIPTION
10	1		STUD
20	1	097-01375	ASSEMBLY, STARTER
30	1	097-01325	BOLT, FLANGE
40	1	097-00919	NUT, FLANGE

Bright Forklift

BD3-7570 with V3800 engine (S/N 32 and up)

STARTER COMPONENT PARTS (555000)





Bright Forklift

BD3-7570 with V3800 engine (S/N 32 and up)

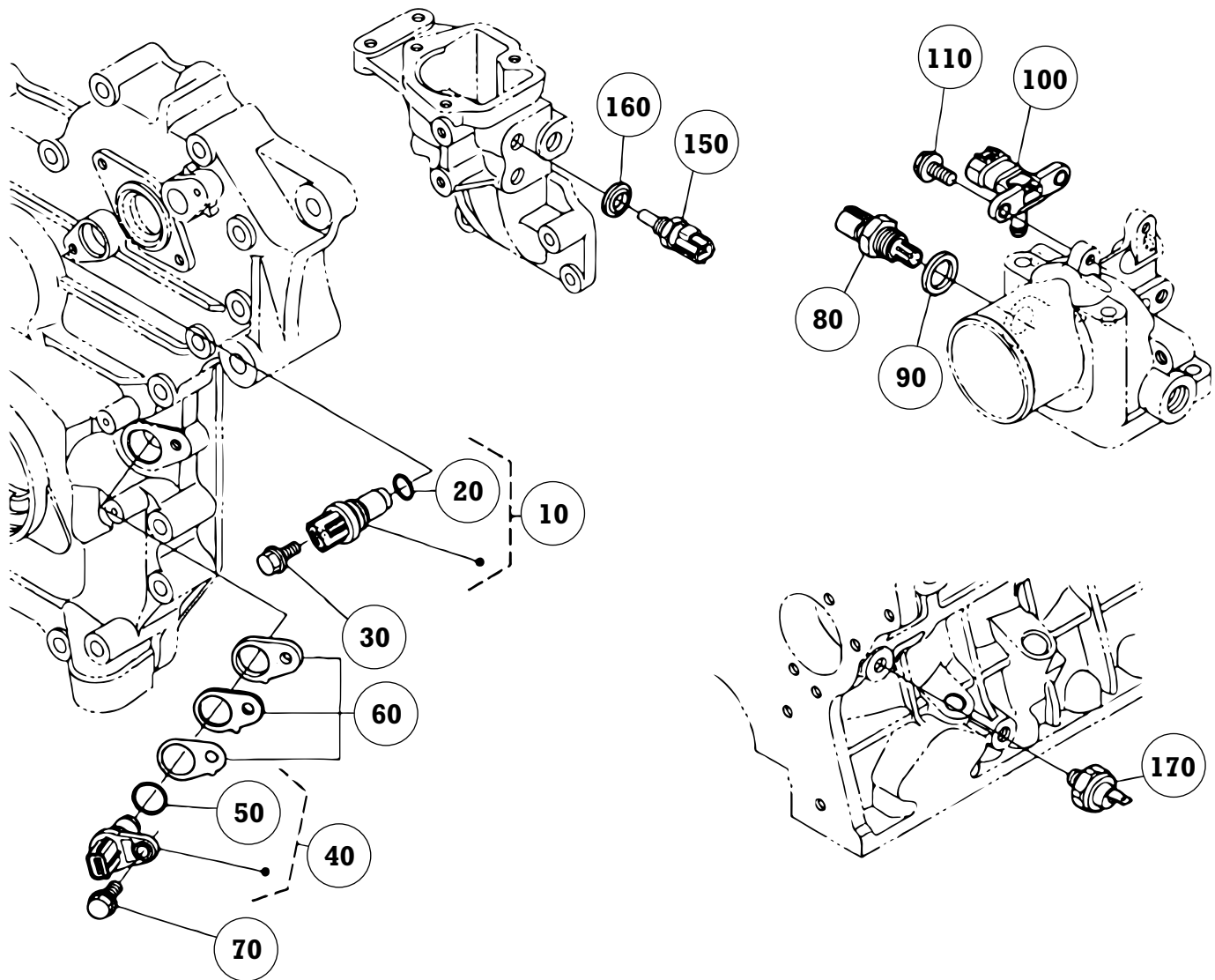
STARTER COMPONENT PARTS (555000)

REF	QTY.	PART NUMBER	DESCRIPTION
10	1	097-01375	ASSEMBLY, STARTER
20	1		ASSEMBLY BRACKET, FRONT
30	1		SET BEARING
40	1		ASSEMBLY SHAFT, CLUTCH
60	1		SET WASHER
70	1		SET GEAR
80	1		CLUTCH, OVER RUNNING
90	4		ASSEMBLY GEAR
100	1		ASSEMBLY LEVER, SET
110	1		SET PINION
120	1		SET STOPPER
130	1		ASSEMBLY SWITCH, MAGNETIC
140	1		SET SCREW
150	1		BALL
160	1		SET, PACKING
170	1		ASSEMBLY ARMATURE
180	1		BEARING
190	1		ASSEMBLY, YOKE
200	1		ASSEMBLY HOLDER, BRUSH
210	4		BRUSH, SPRING
220	2		BRUSH
230	1		ASSEMBLY BRACKET, REAR
240	1		SET, BOLT

Bright Forklift

BD3-7570 with V3800 engine (S/N 32 and up)

SWITCHES AND SENSORS (557000)





Bright Forklift

BD3-7570 with V3800 engine (S/N 32 and up)

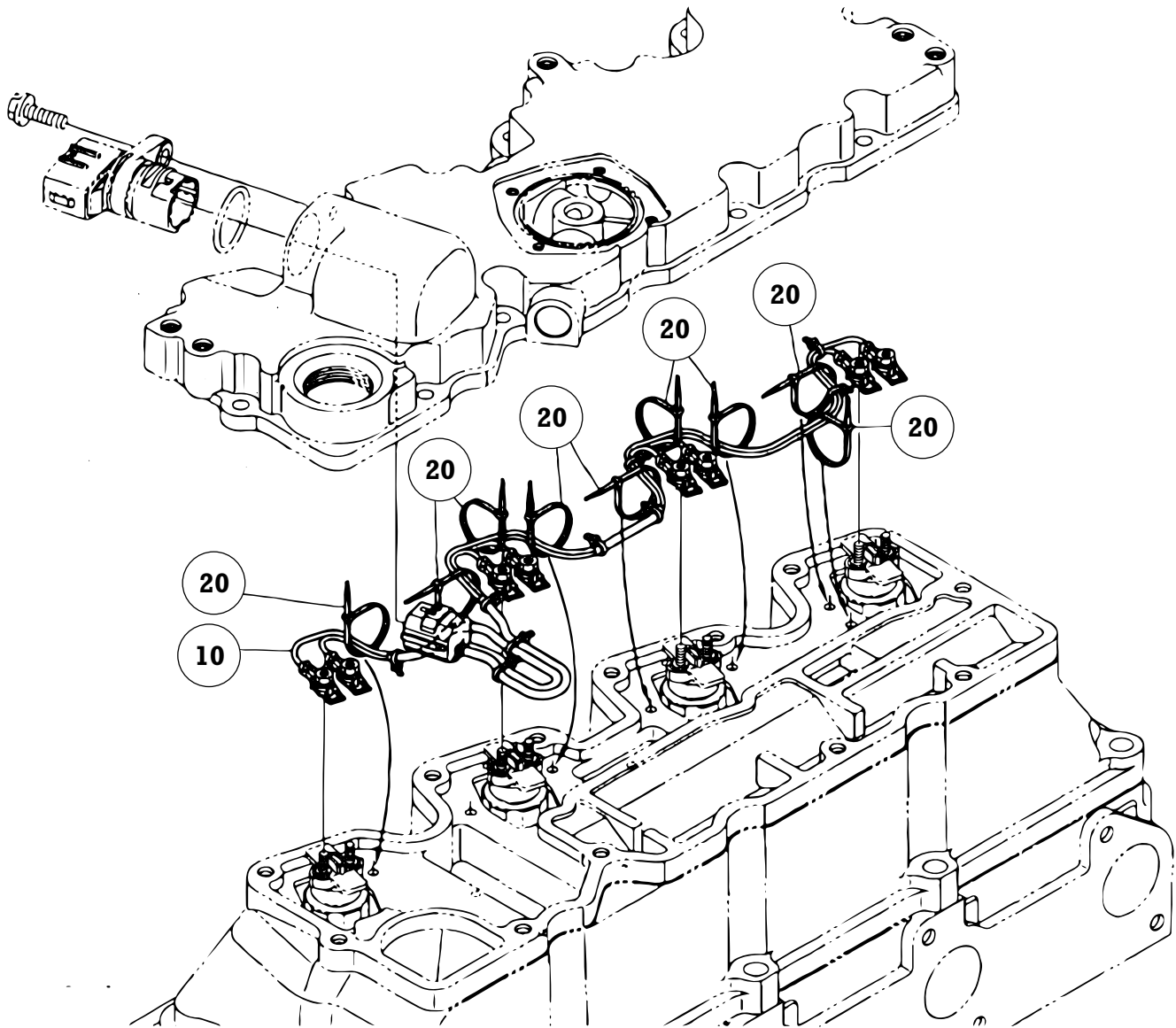
SWITCHES AND SENSORS (557000)

REF	QTY.	PART NUMBER	DESCRIPTION
10	1	097-01204	SENSOR (G)
20	1	097-01205	O-RING
30	1	097-00913	BOLT, FLANGE
40	1	097-01204	SENSOR (G)
50	1	097-01205	O-RING
60	1		SHIM 0.25 MM
	1		SHIM 0.50 MM
	1		SHIM 1.00 MM
70	1	097-00913	BOLT, FLANGE
80	1	097-01206	SENSOR, THERMOSTAT
90	1	097-00160	PACKING
100	1	097-01207	SENSOR, BOOST
110	2	097-00913	BOLT, FLANGE
150	1	097-01146	SENSOR, WATER TEMPERATURE
160	1	097-01211	WASHER, SEAL
170	1	097-01376	SWITCH, OIL

Bright Forklift

BD3-7570 with V3800 engine (S/N 32 and up)

INJECTOR HARNESS (557500)





Bright Forklift

BD3-7570 with V3800 engine (S/N 32 and up)

INJECTOR HARNESS (557500)

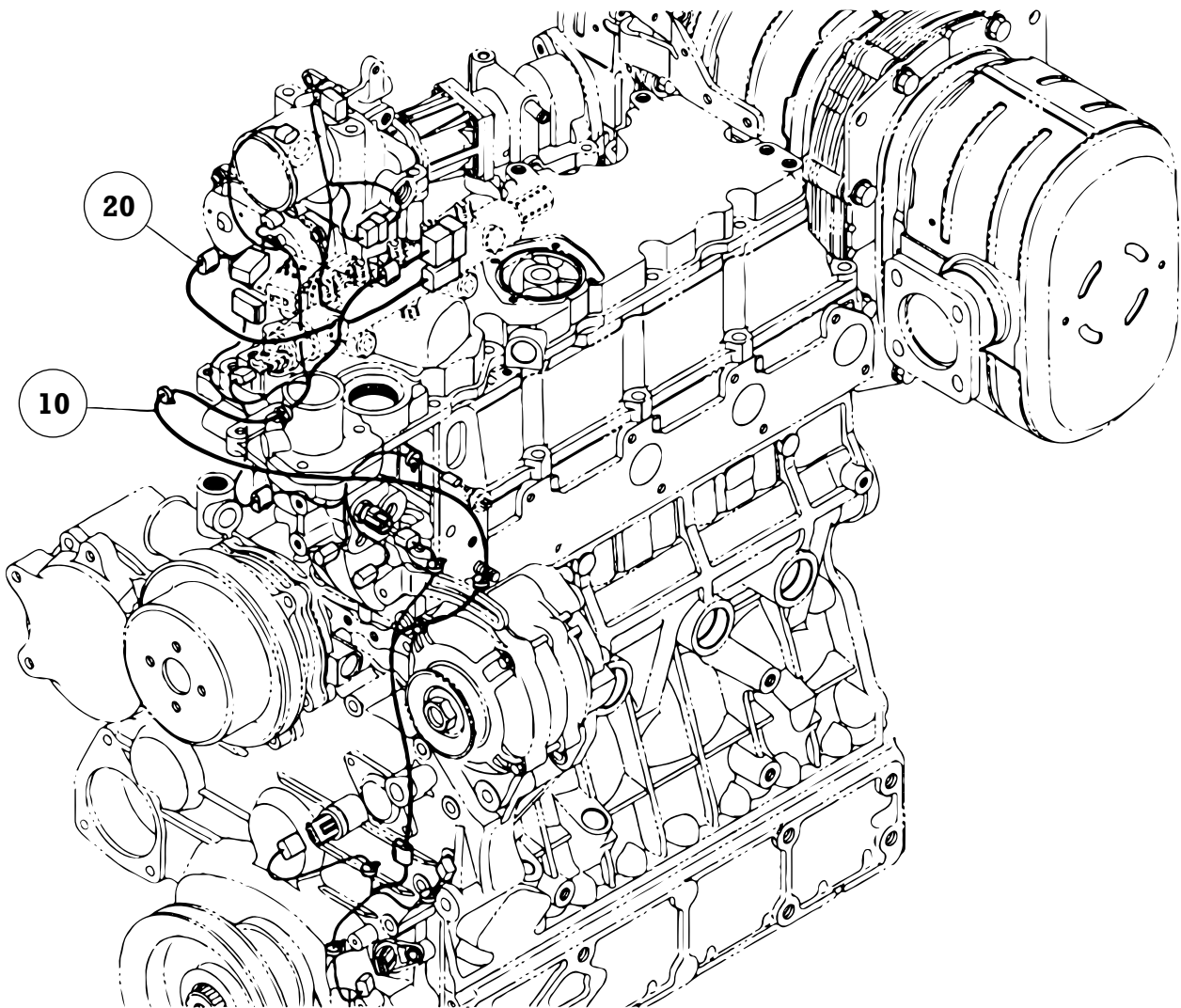
REF	QTY.	PART NUMBER	DESCRIPTION
10	1	097-01377	ASSEMBLY HARNESS, INJECTORS
20	9	097-01378	BAND (HARNESS)



Bright Forklift

BD3-7570 with V3800 engine (S/N 32 and up)

WIRE HARNESS (558000)





Bright Forklift

BD3-7570 with V3800 engine (S/N 32 and up)

WIRE HARNESS (558000)

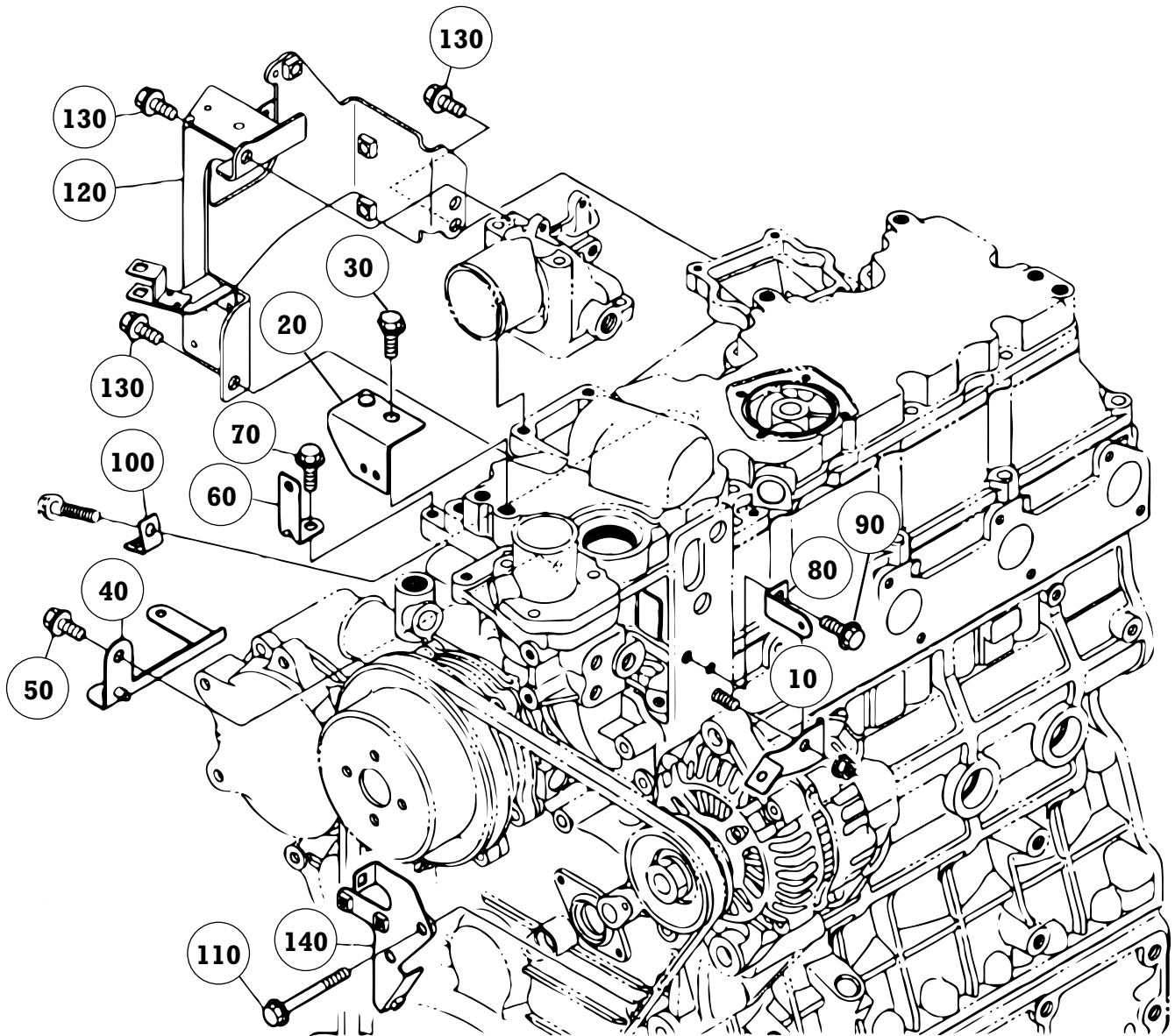
REF	QTY.	PART NUMBER	DESCRIPTION
10	1	097-01379	WIRE HARNESS ASSEMBLY
20	1	097-01380	WIRE HARNESS ASSEMBLY, INJECTORS



Bright Forklift

BD3-7570 with V3800 engine (S/N 32 and up)

WIRE HARNESS BRACKET (558500)





Bright Forklift

BD3-7570 with V3800 engine (S/N 32 and up)

WIRE HARNESS BRACKET (558500)

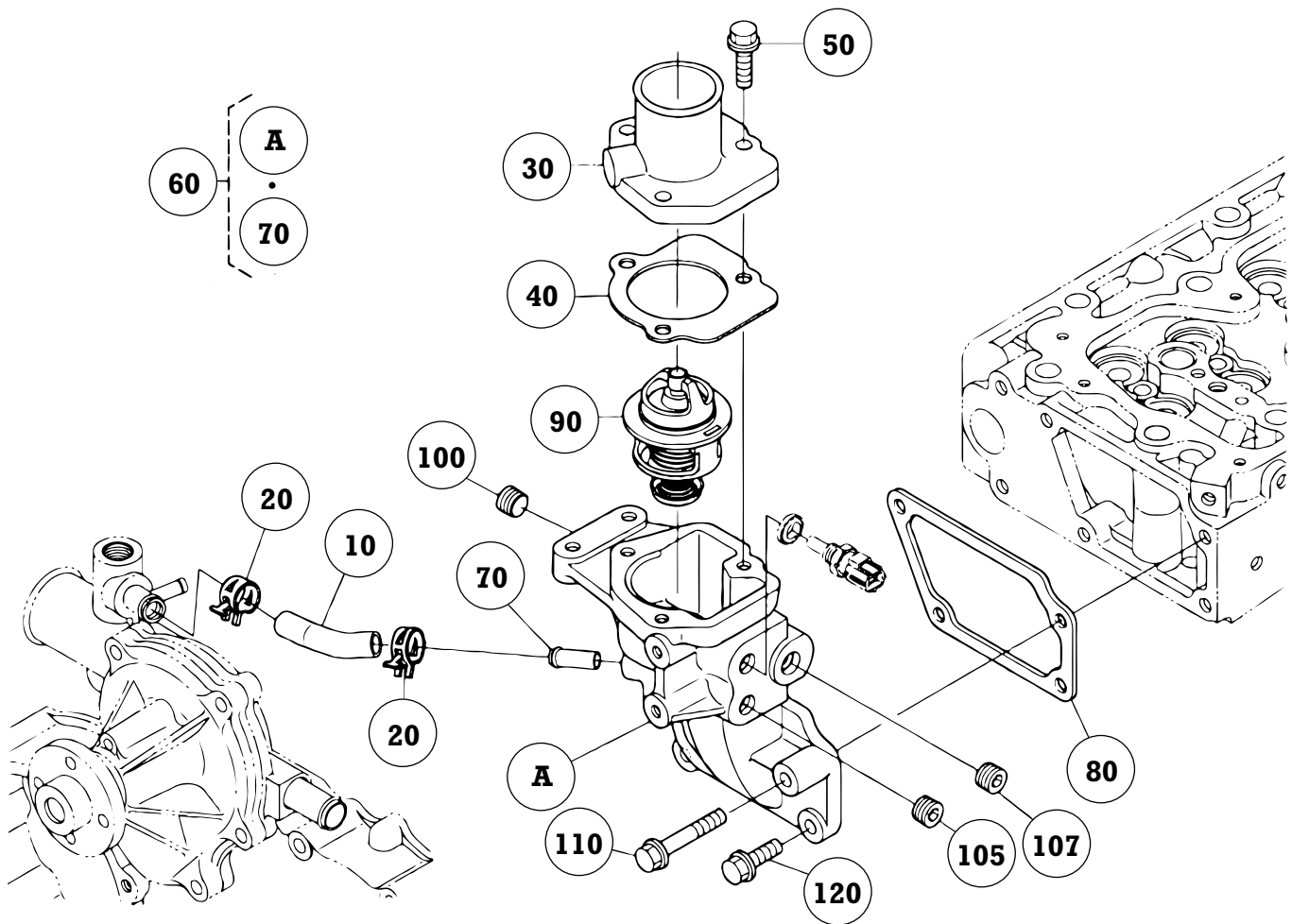
REF	QTY.	PART NUMBER	DESCRIPTION
10	1		BRACKET (WH,3)
20	1		BRACKET, COMPLETE (WH,4)
30	1		BOLT, FLANGE
40	1		COMPLETE BRACKET, HARNESS
50	1		BOLT, FLANGE
60	1		BRACKET (WH,6)
70	1		BOLT, FLANGE
80	1		BRACKET (WH,6)
90	1		BOLT, FLANGE
100	1		BRACKET (WH,10)
110	2		BOLT, FLANGE
120	1		BRACKET, COMPLETE (CONNECTOR)
130	3		BOLT, FLANGE
140	1		BRACKET, COMPLETE (WH,2)



Bright Forklift

BD3-7570 with V3800 engine (S/N 32 and up)

WATER FLANGE AND THERMOSTAT (560000)





Bright Forklift

BD3-7570 with V3800 engine (S/N 32 and up)

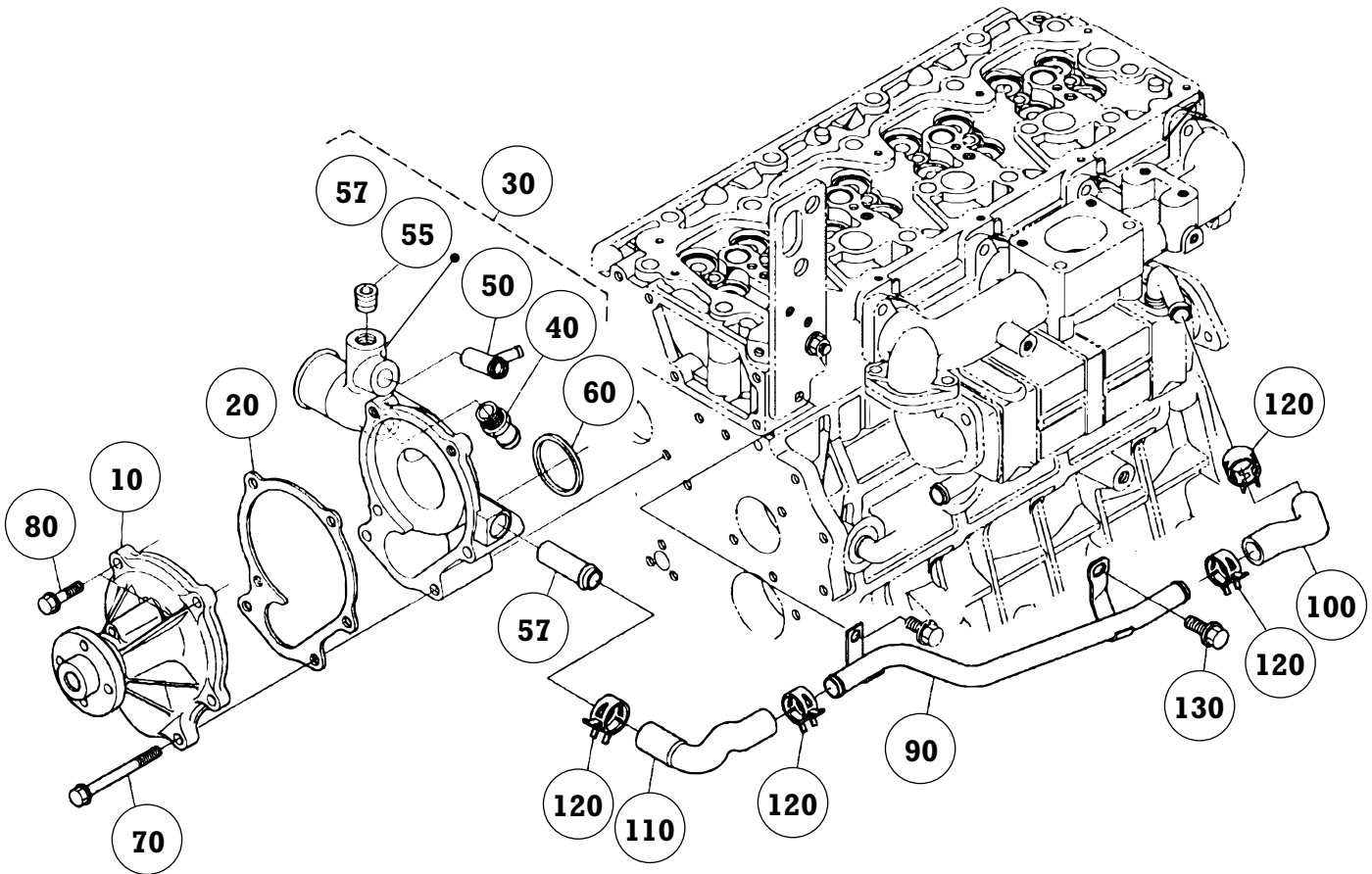
WATER FLANGE AND THERMOSTAT (560000)

REF	QTY.	PART NUMBER	DESCRIPTION
10	1		HOSE, WATER RETURN
20	2		CLAMP, HOSE
30	1		COVER, THERMOSTAT
40	1	097-01382	GASKET
50	3	097-01265	BOLT, FLANGE
60	1		FLANGE, WATER, COMPLETE
70	1		JOINT, STRAIGHT PIPE
80	1	097-01381	GASKET (FLANGE, WATER)
90	1	097-01215	ASSEMBLY THERMOSTAT
100	1		PLUG
105	1		PLUG
107	1		PLUG
110	1	097-01334	BOLT, FLANGE
120	3	097-01265	BOLT, FLANGE

Bright Forklift

BD3-7570 with V3800 engine (S/N 32 and up)

WATER PUMP (561000)





Bright Forklift

BD3-7570 with V3800 engine (S/N 32 and up)

WATER PUMP (561000)

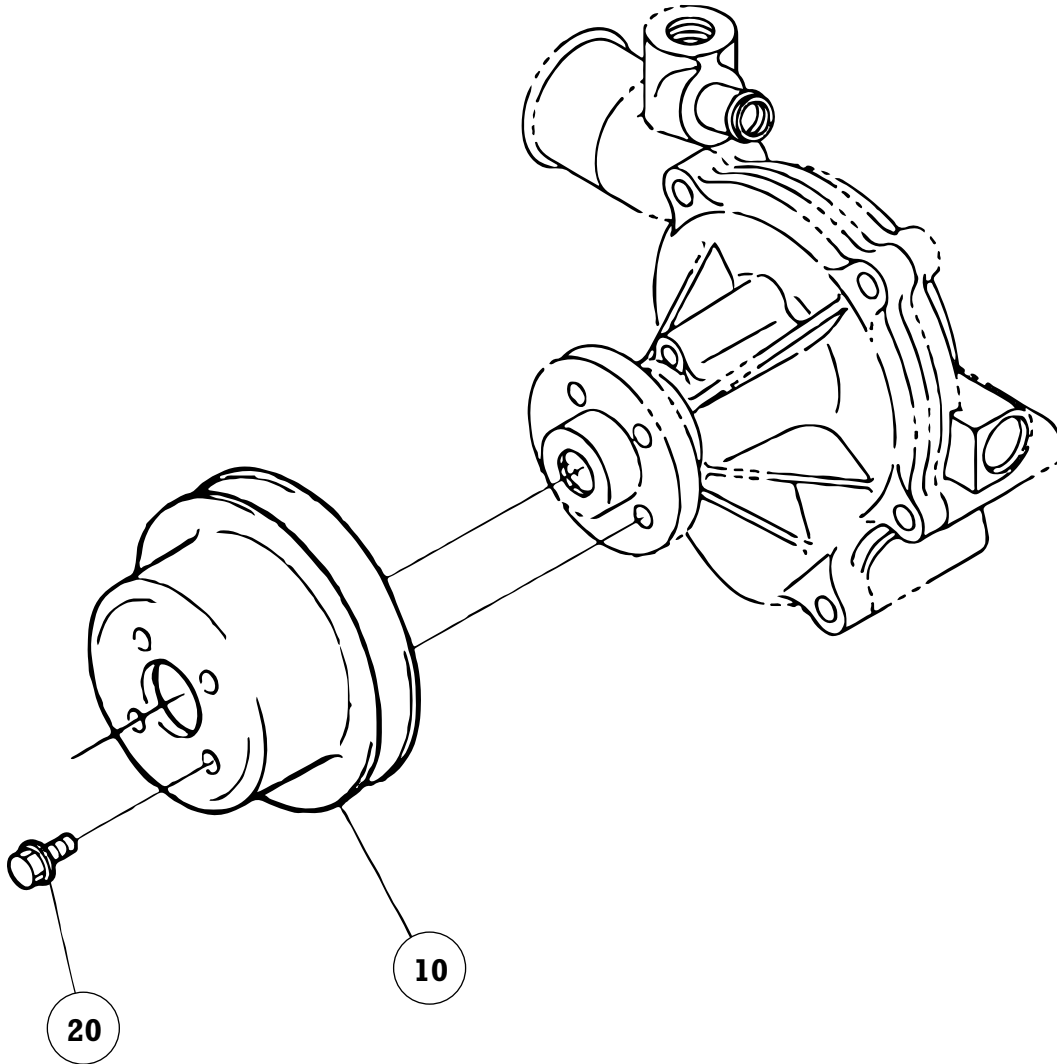
REF	QTY.	PART NUMBER	DESCRIPTION
10	1	097-01383	ASSEMBLY PUMP, WATER
20	1	097-01384	GASKET (PUMP, WATER)
30	1		SUPPORT, ASSEMBLY (WATER PUMP)
40	1		JOINT, STR. PIPE
50	1		PIPE, COMPLETE (WATER RETURN)
55	1		PLUG
57	1		JOINT, STR. PIPE
60	1		GASKET, WATER PUMP SUPPORT
70	4		BOLT, FLANGE
80	2	097-00292	BOLT, FLANGE
90	1		PIPE, COMPLETE (WP,EGR)
100	1		HOSE (2,EGR)
110	1		HOSE (3,EGR)
120	4		CLAMP, HOSE
130	1		BOLT, FLANGE



Bright Forklift

BD3-7570 with V3800 engine (S/N 32 and up)

FAN AND PULLEY (567000)





Bright Forklift

BD3-7570 with V3800 engine (S/N 32 and up)

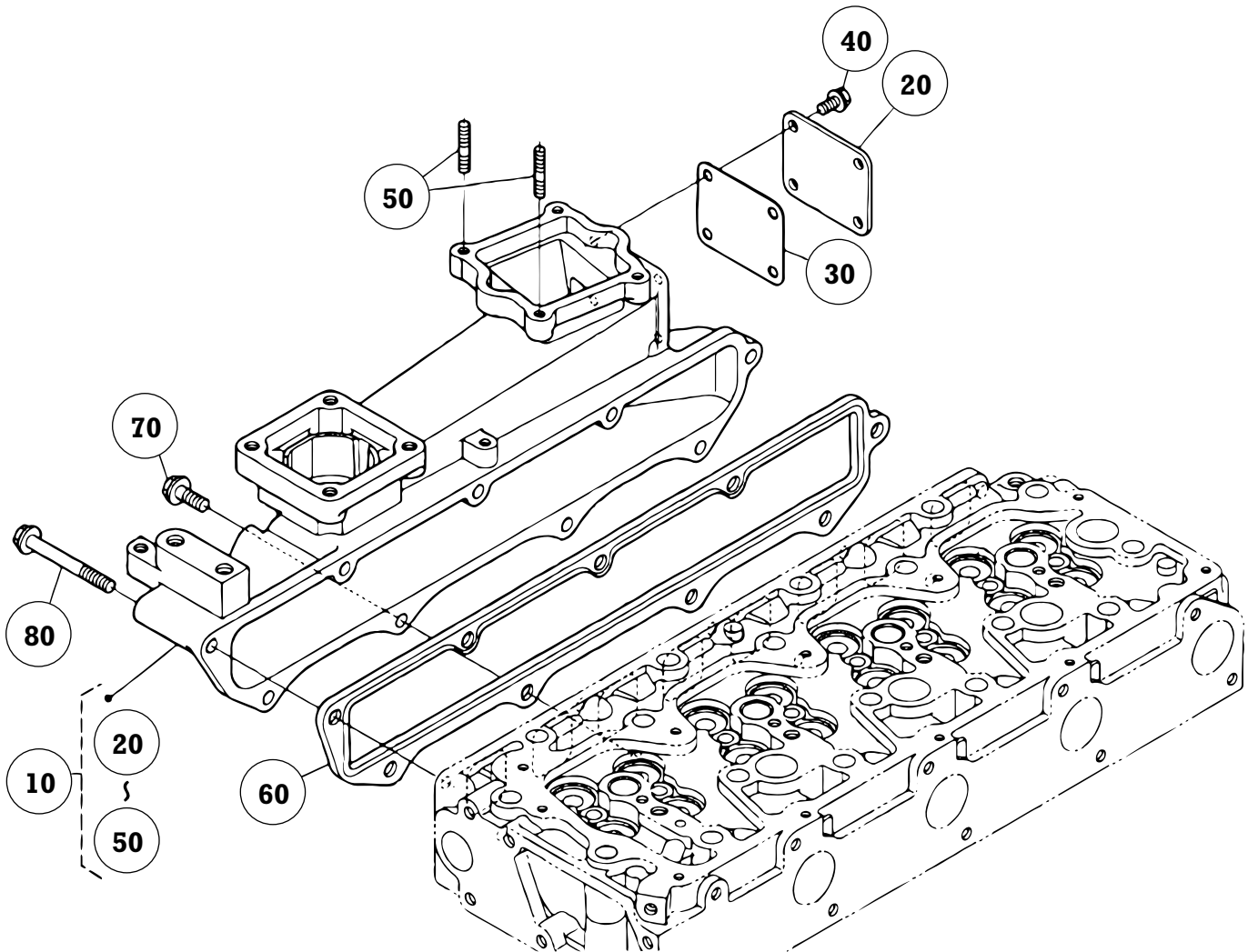
FAN AND PULLEY (567000)

REF	QTY.	PART NUMBER	DESCRIPTION
10	1		PULLEY, FAN
20	4		BOLT, FLANGE

Bright Forklift

BD3-7570 with V3800 engine (S/N 32 and up)

INLET MANIFOLD (571000)





Bright Forklift

BD3-7570 with V3800 engine (S/N 32 and up)

INLET MANIFOLD (571000)

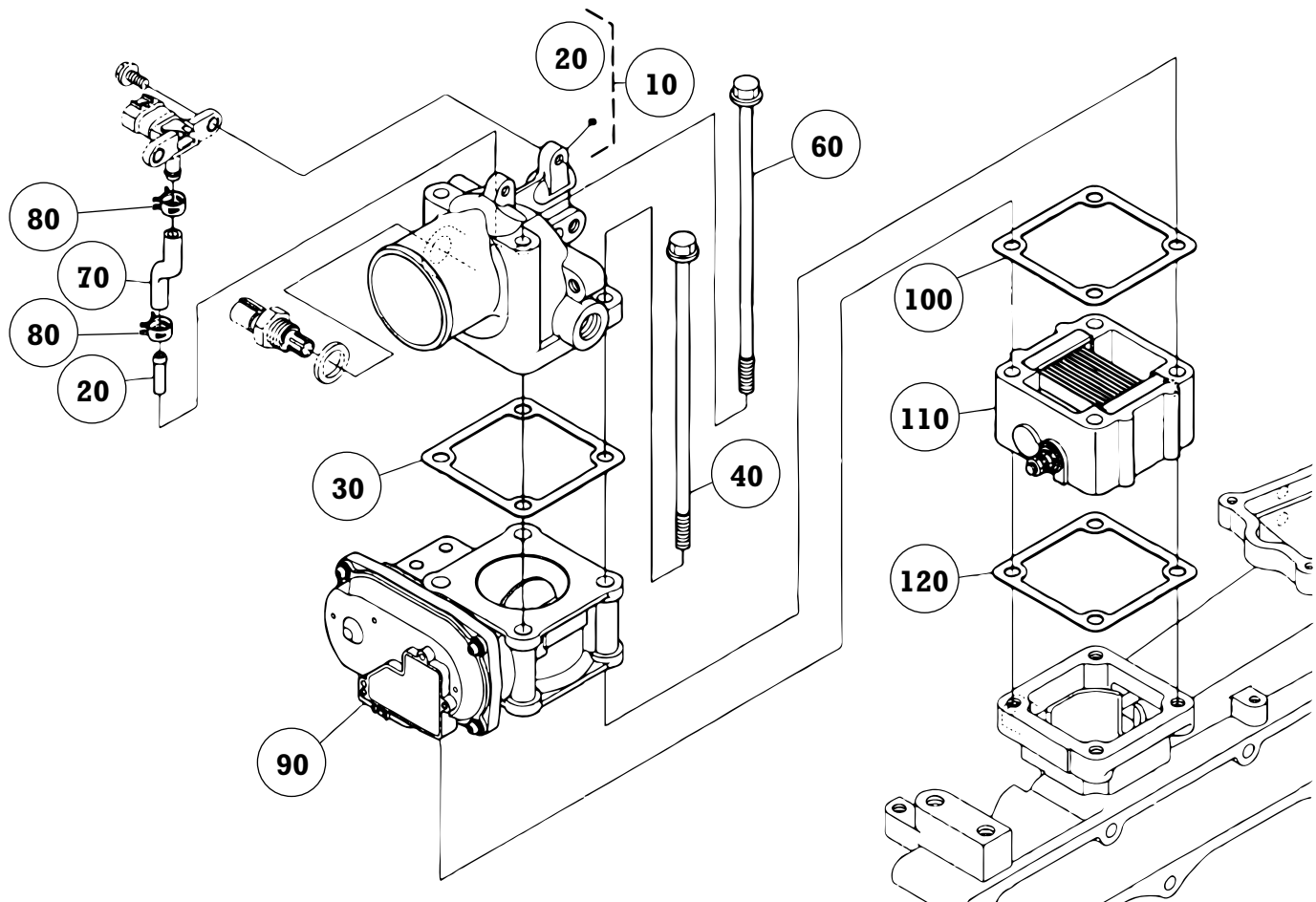
REF	QTY.	PART NUMBER	DESCRIPTION
10	1		MANIFOLD, ASSEMBLY (INLET)
20	1		COVER, INLET
30	1		GASKET, INLET
40	4		BOLT, FLANGE
50	2		STUD
60	1	097-01385	GASKET (INLET MANIFOLD)
70	5	097-00271	BOLT, FLANGE
80	4		BOLT, FLANGE



Bright Forklift

BD3-7570 with V3800 engine (S/N 32 and up)

AIR CLEANER FLANGE AND THROTTLE VALVE (571100)





Bright Forklift

BD3-7570 with V3800 engine (S/N 32 and up)

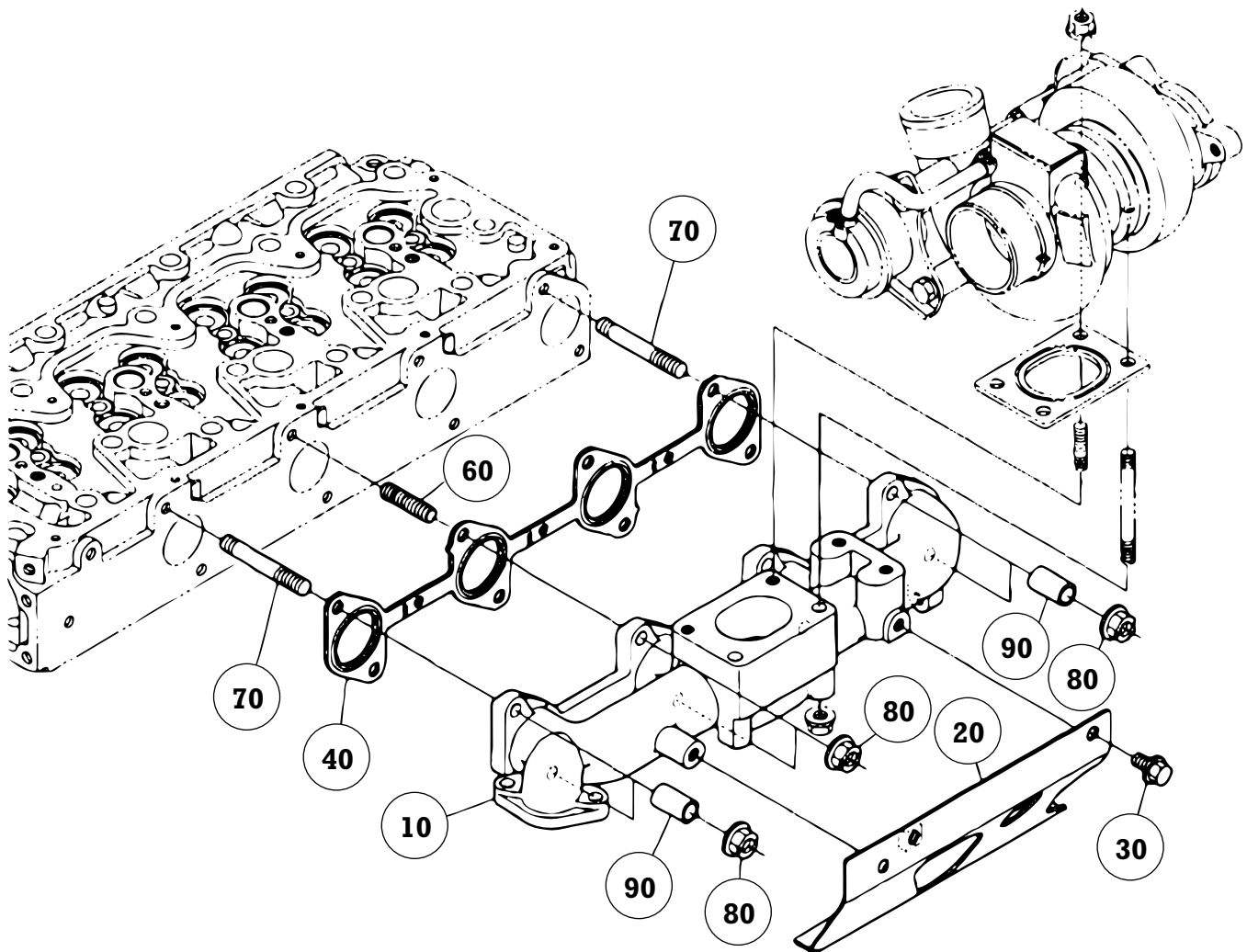
AIR CLEANER FLANGE AND THROTTLE VALVE (571100)

REF	QTY.	PART NUMBER	DESCRIPTION
10	1		COMPLETE FLANGE, AIR CLEANER
20	1		PIPE, BOOST
30	1	097-01386	GASKET, AIR CLEANER FLANGE
40	2		BOLT, FLANGE
60	2		BOLT, FLANGE
70	1		TUBE, BOOST
80	2		CLAMP, HOSE
90	1		VALVE, THROTTLE, ASSEMBLY
100	1	097-01386	GASKET, AIR CLEANER FLANGE
110	1		HEATER, INTAKE AIR
120	1	097-01386	GASKET, AIR CLEANER FLANGE

Bright Forklift

BD3-7570 with V3800 engine (S/N 32 and up)

EXHAUST MANIFOLD (572000)





Bright Forklift

BD3-7570 with V3800 engine (S/N 32 and up)

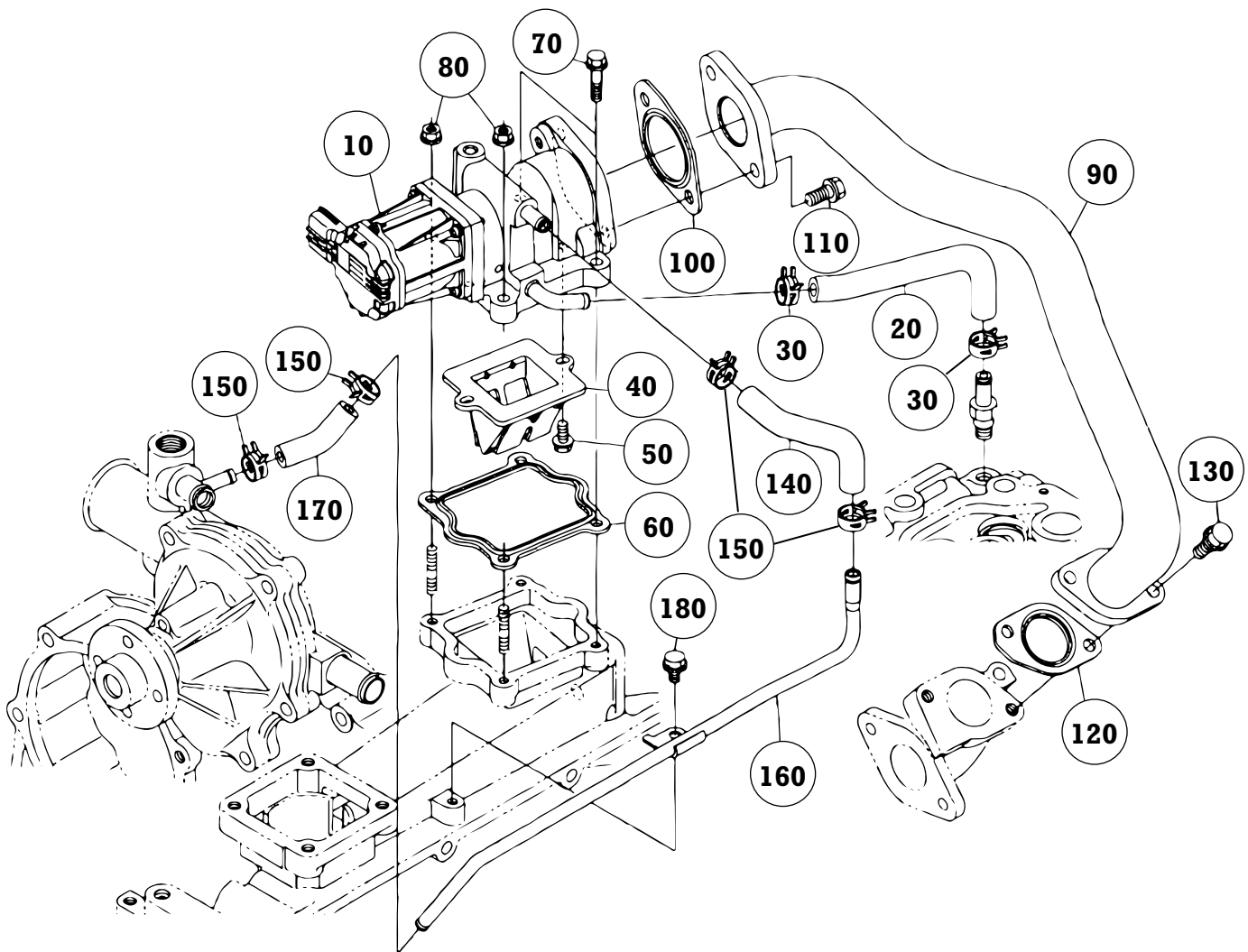
EXHAUST MANIFOLD (572000)

REF	QTY.	PART NUMBER	DESCRIPTION
10	1	097-01387	MANIFOLD, EXHAUST
20	1	097-01388	COVER (EXHAUST MANIFOLD)
30	2	097-01389	BOLT, FLANGE (SUH)
40	1	097-01390	GASKET, EXHAUST MANIFOLD
60	4	097-01391	STUD
70	4	097-01392	STUD
80	8	097-01156	NUT, FLANGE
90	4	097-01393	COLLAR

Bright Forklift

BD3-7570 with V3800 engine (S/N 32 and up)

EGR VALVE (572300)





Bright Forklift

BD3-7570 with V3800 engine (S/N 32 and up)

EGR VALVE (572300)

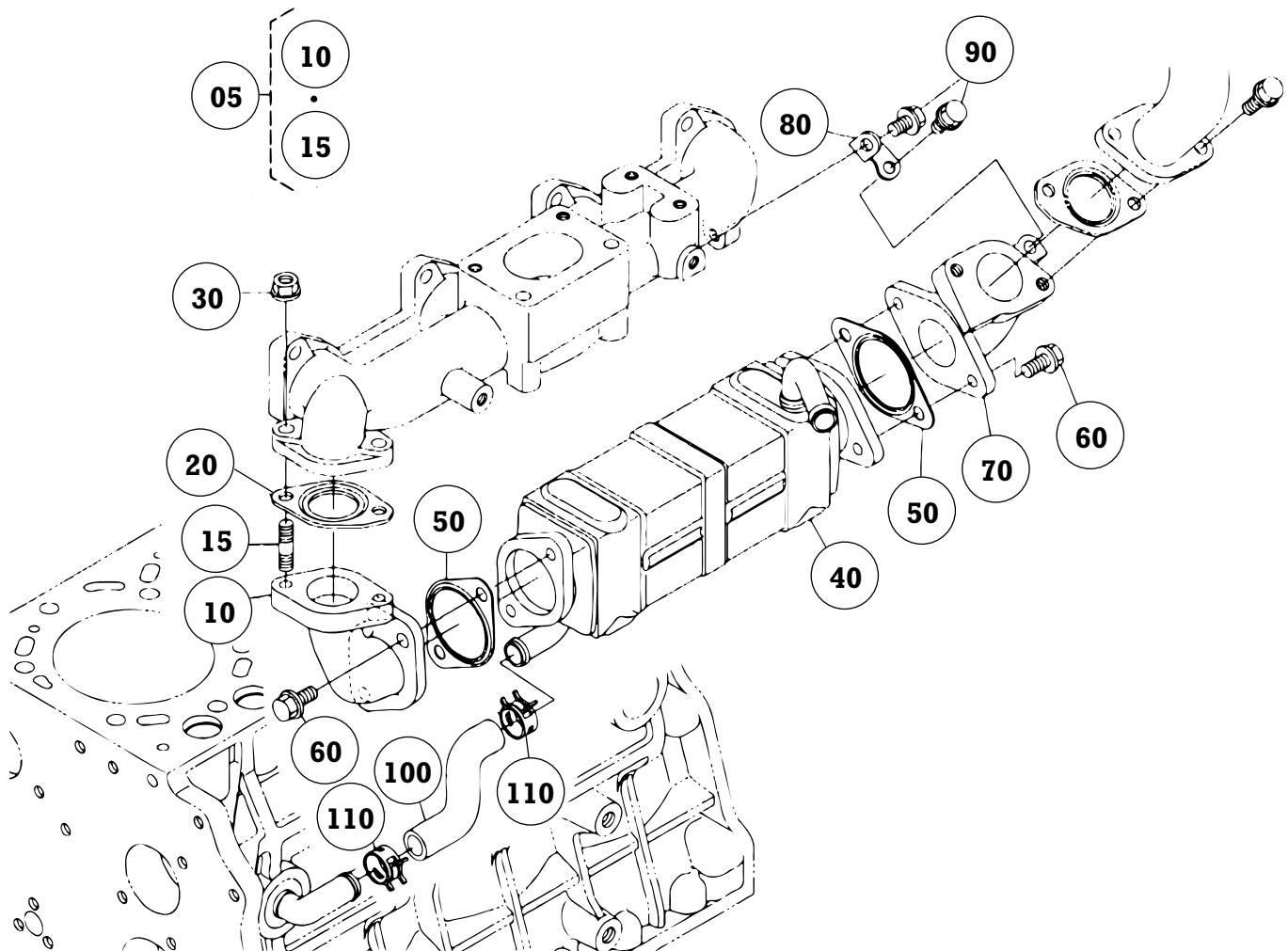
REF	QTY.	PART NUMBER	DESCRIPTION
10	1	097-01394	VALVE, ASSEMBLY (EGR)
20	1		HOSE
30	2		CLAMP, HOSE
40	1		VALVE, LEAD
50	2		BOLT, FLANGE
60	1	097-01159	GASKET, EGR VALVE
70	2		BOLT, FLANGE
80	2	097-00260	NUT, FLANGE
90	1		COMPLETE PIPE, EGR
100	1	097-01157	GASKET (EGR COOLER)
110	2	097-00271	BOLT, FLANGE
120	1	097-01395	GASKET (EGR PIPE)
130	2	097-00271	BOLT, FLANGE
140	1		TUBE
150	4		CLAMP, HOSE
160	1		PIPE, COMPLETE
170	1		TUBE
180	1		BOLT, FLANGE



Bright Forklift

BD3-7570 with V3800 engine (S/N 32 and up)

EGR COOLER (572400)





Bright Forklift

BD3-7570 with V3800 engine (S/N 32 and up)

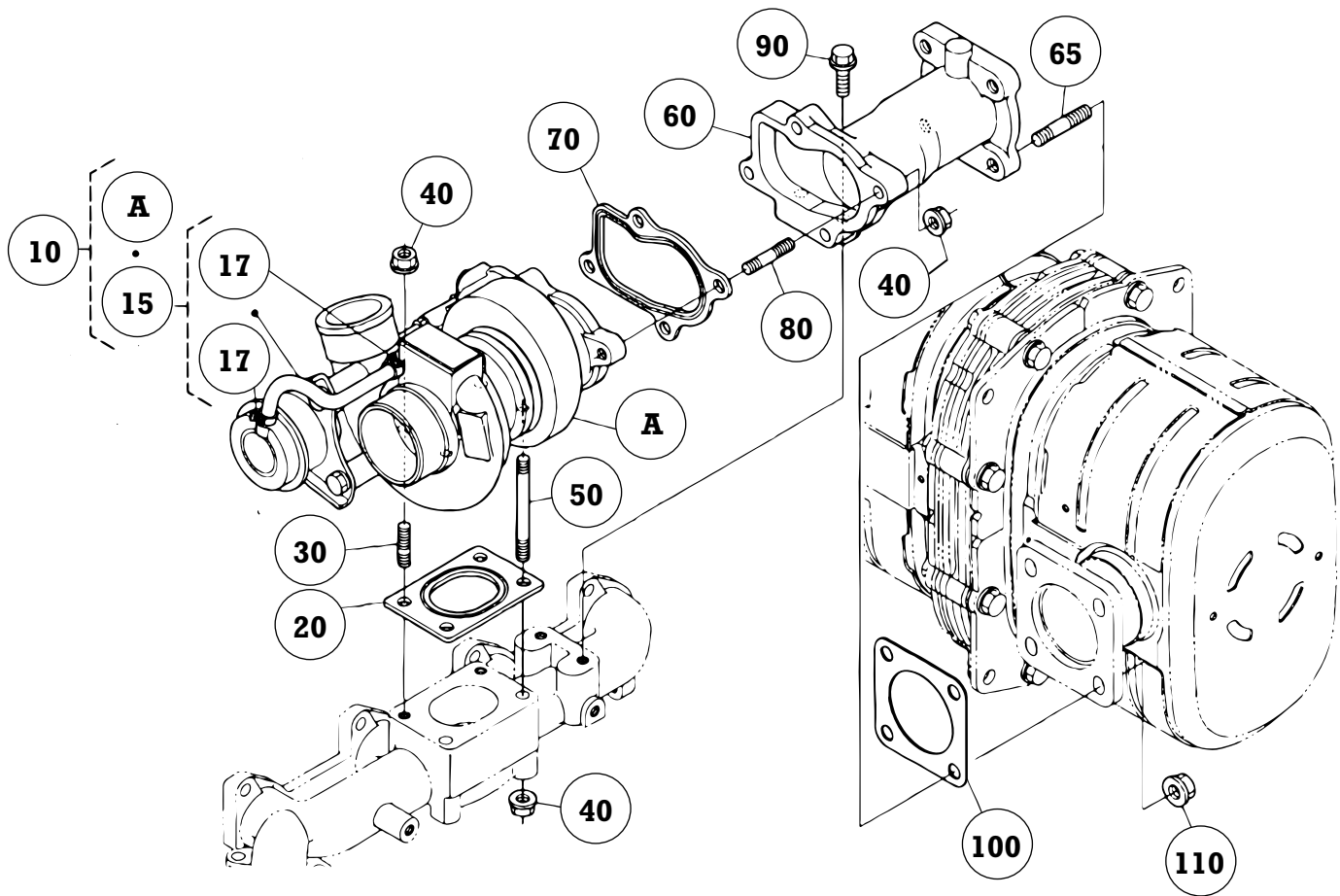
EGR COOLER (572400)

REF	QTY.	PART NUMBER	DESCRIPTION
05	1		FLANGE, ASSEMBLY (EGR COOLER)
10	1		FLANGE (EGR COOLER)
15	2		STUD
20	1	097-01395	GASKET (EGR PIPE)
30	2	097-01156	NUT, FLANGE
40	1	097-01396	COOLER, COMPLETE (EGR)
50	2	097-01157	GASKET, EGR COOLER
60	4		BOLT, FLANGE
70	1		FLANGE (EGR PIPE)
80	1		STAY (EGR COOLER)
90	1	097-01389	BOLT, FLANGE (SUH)
100	2		HOSE (1,EGR)
110	2		CLAMP, HOSE

Bright Forklift

BD3-7570 with V3800 engine (S/N 32 and up)

TURBO CHARGER (572600)





Bright Forklift

BD3-7570 with V3800 engine (S/N 32 and up)

TURBO CHARGER (572600)

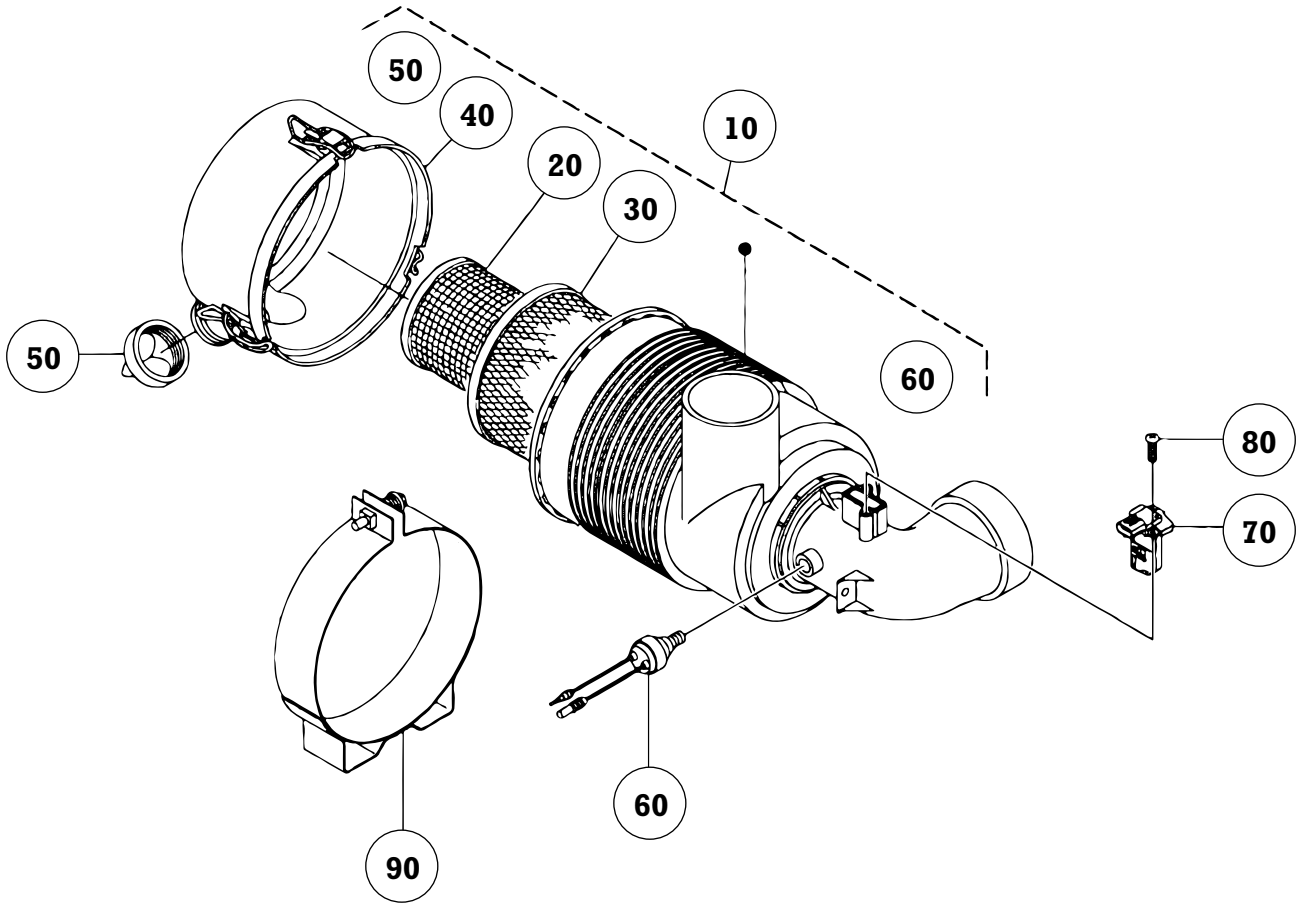
REF	QTY.	PART NUMBER	DESCRIPTION
10	1	097-01397	TURBOCHARGER, ASSEMBLY
15	1		ASSEMBLY HOSE
17	2		CLAMP, HOSE
20	1	097-01398	GASKET
30	2	097-01238	STUD
40	8	097-01156	NUT, FLANGE
50	1	097-01224	STUD
60	1		FLANGE, MUFFLER
65	4	097-01399	STUD
70	1	097-01400	GASKET
80	4	097-01401	STUD
90	2	097-01402	BOLT, FLANGE
100	1	097-24392	GASKET (MUFFLER)
110	4	097-00919	NUT, FLANGE



Bright Forklift

BD3-7570 with V3800 engine (S/N 32 and up)

AIR CLEANER (573000)





Bright Forklift

BD3-7570 with V3800 engine (S/N 32 and up)

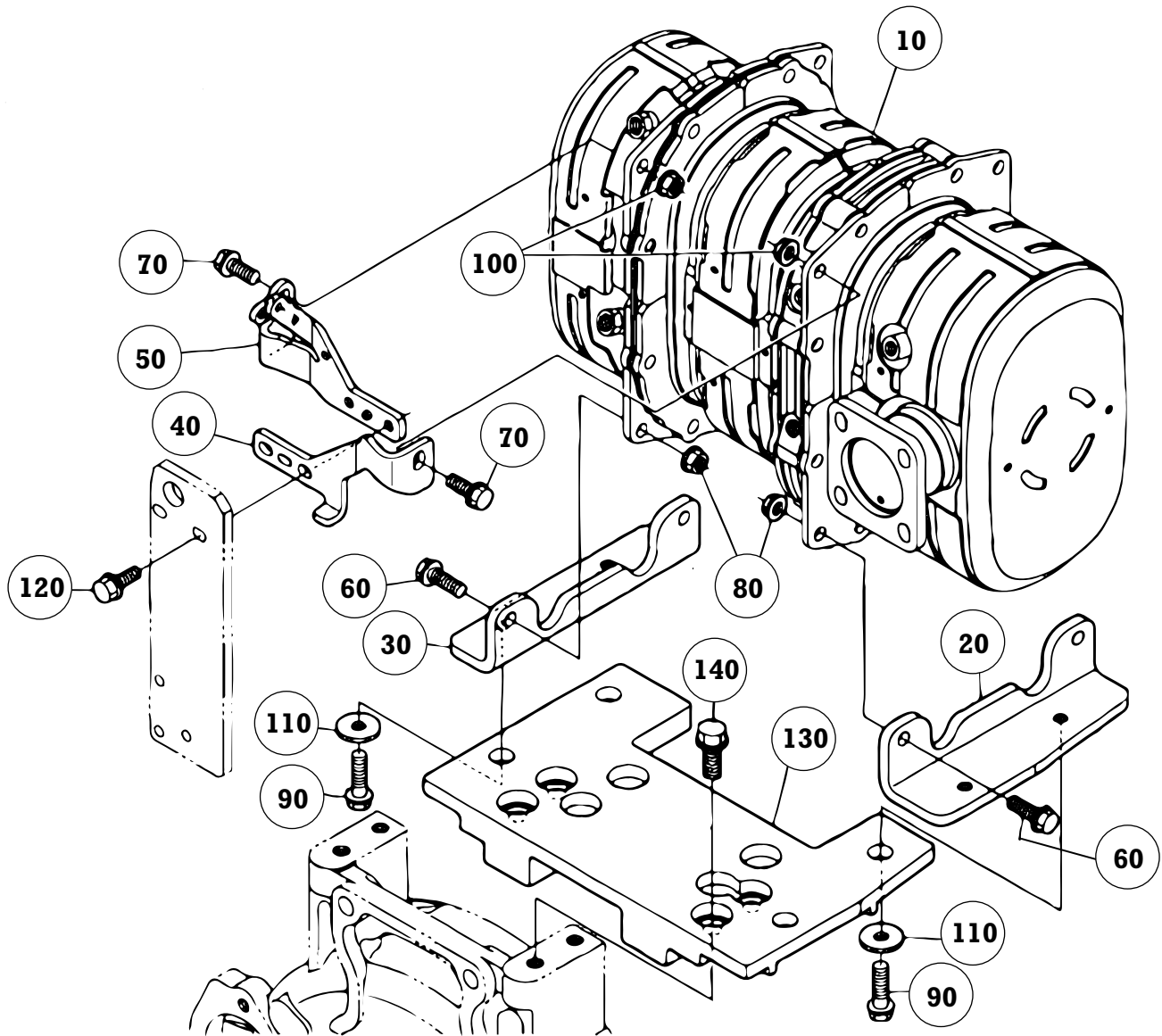
AIR CLEANER (573000)

REF	QTY.	PART NUMBER	DESCRIPTION
10	1	097-20963	CLEANER, AIR
20	1	097-20966	ELEMENT, INNER
30	1	097-20965	ASSEMBLY ELEMENT, AIR CLEANER
40	1	097-20968	COVER, ASSEMBLY
50	1	097-20967	VALVE
60	1	097-01163	ASSEMBLY, INDICATOR
70	1	097-01164	SENSOR (AIR FLOW)
80	2		SCREW, PAN HEAD (PHILLIPS)
90	1	097-20964	BAND, ASSEMBLY (AIR CLEANER)

Bright Forklift

BD3-7570 with V3800 engine (S/N 32 and up)

DIESEL PARTICULATE FILTER MUFFLER (574000)





Bright Forklift

BD3-7570 with V3800 engine (S/N 32 and up)

DIESEL PARTICULATE FILTER MUFFLER (574000)

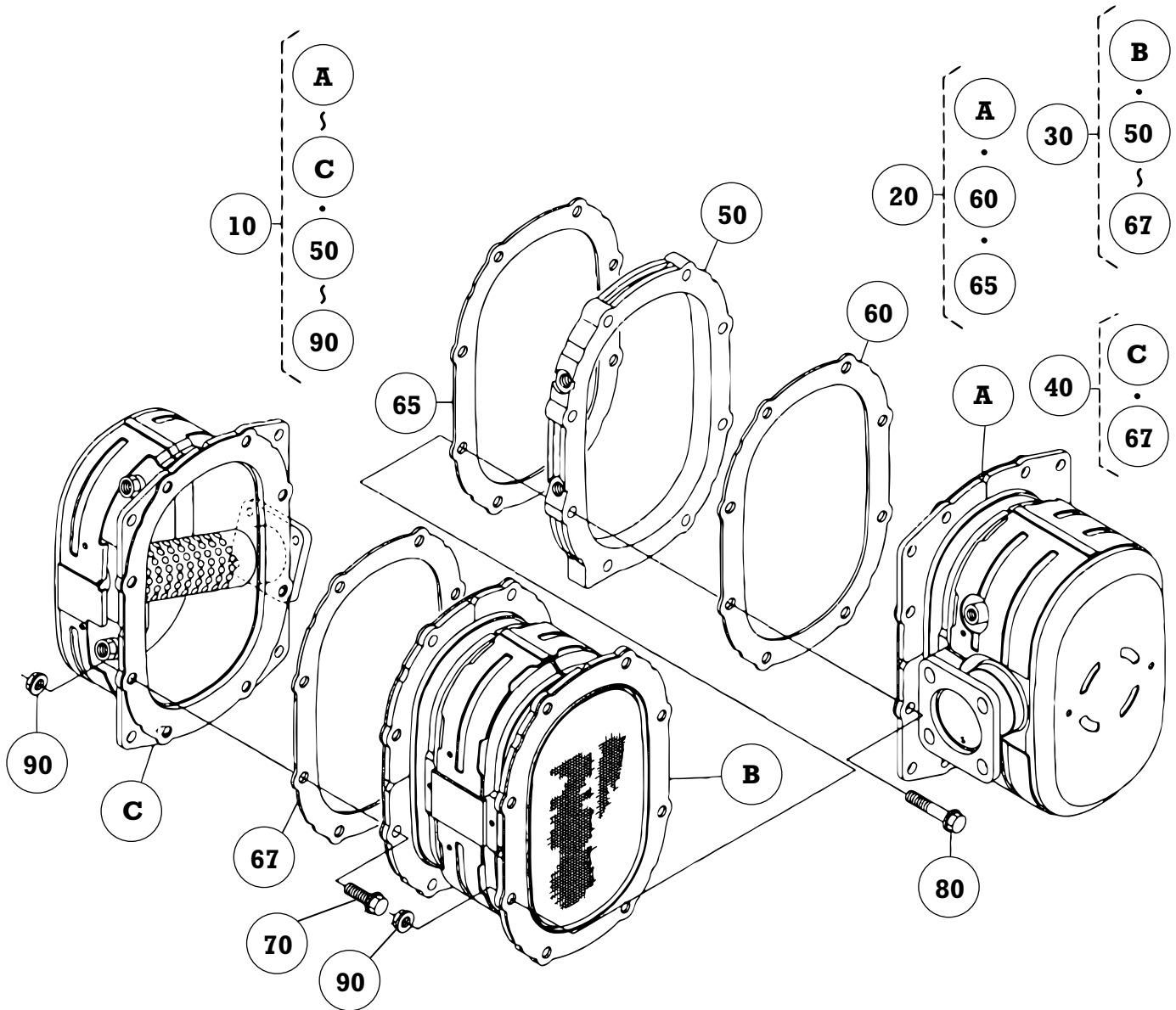
REF	QTY.	PART NUMBER	DESCRIPTION
010	1		MUFFLER, ASSEMBLY (DOC)
020	1		BRACKET (DIESEL PARTICULATE FILTER,1)
030	1		BRACKET (DIESEL PARTICULATE FILTER,2)
050	1		STAY (DIESEL PARTICULATE FILTER,2)
060	4		BOLT, FLANGE
070	2		BOLT, FLANGE
080	4		NUT, FLANGE
090	4		BOLT, FLANGE
100	2		NUT, FLANGE
110	4		WASHER, PLAIN
120	2		BOLT, FLANGE
130	1		BRACKET (DIESEL PARTICULATE FILTER,BASE)
140	4		BOLT, FLANGE



Bright Forklift

BD3-7570 with V3800 engine (S/N 32 and up)

DIESEL PARTICULATE FILTER MUFFLER COMPONENT PARTS (574200)





Bright Forklift

BD3-7570 with V3800 engine (S/N 32 and up)

DIESEL PARTICULATE FILTER MUFFLER COMPONENT PARTS (574200)

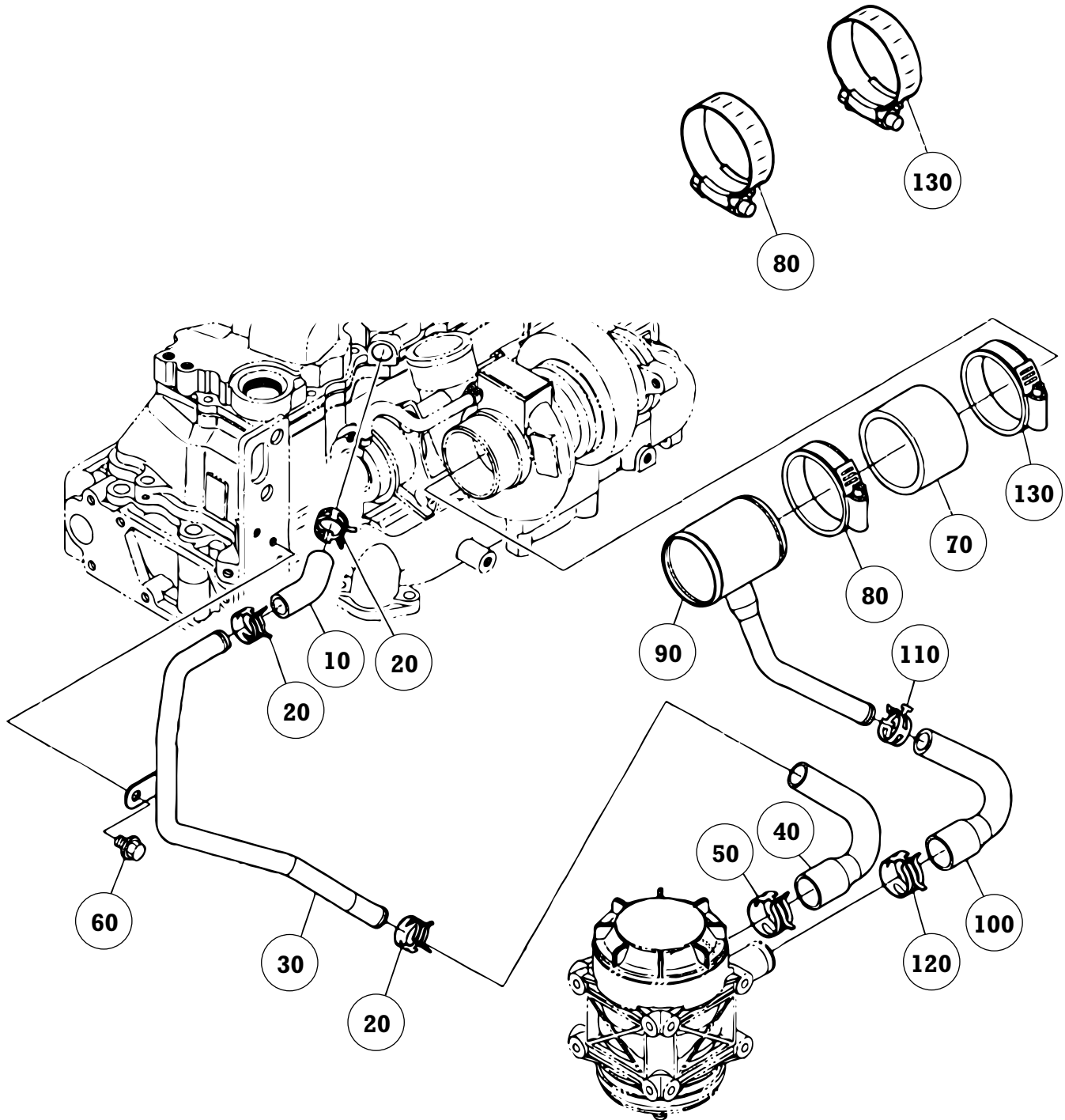
REF	QTY.	PART NUMBER	DESCRIPTION
10	1		MUFFLER, ASSEMBLY (DOC)
20	1		CATALYST, KIT (DOC,1)
30	1		CATALYST, KIT (DOC,2)
40	1		BODY, KIT
50	1		COLLAR (DIESEL PARTICULATE FILTER)
60	1		GASKET (DIESEL PARTICULATE FILTER)
65	1		GASKET (DIESEL PARTICULATE FILTER)
67	1		DASKET (DIESEL PARTICULATE FILTER)
70	8		BOLT, FLANGE
80	8		BOLT, FLANGE
90	16		NUT, FLANGE

Bright Forklift

BD3-7570 with V3800 engine (S/N 32 and up)

BREATHER PIPE/SEPARATOR PIPE (576000)

OLD





Bright Forklift

BD3-7570 with V3800 engine (S/N 32 and up)

BREATHER PIPE/SEPARATOR PIPE (576000)

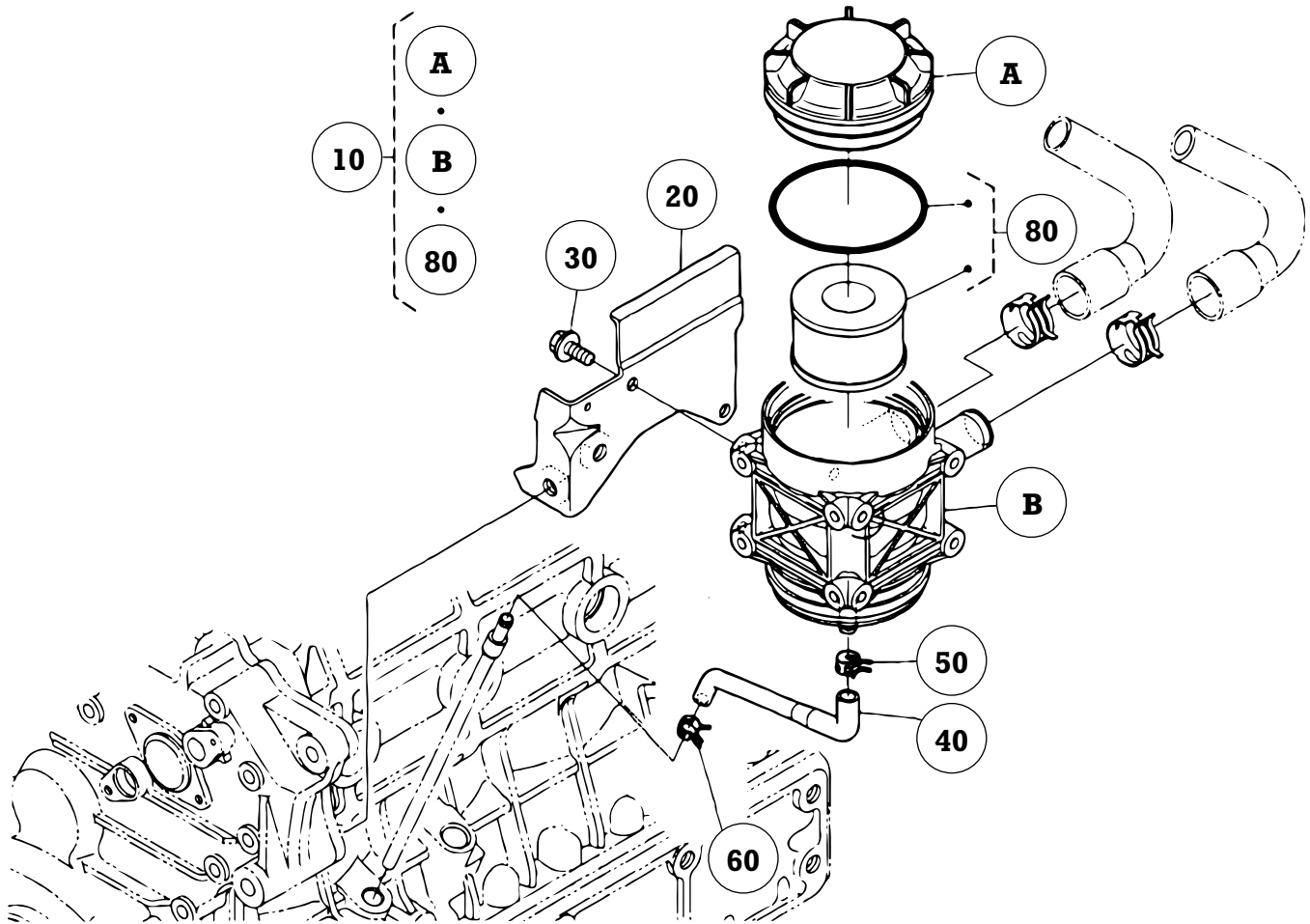
REF	QTY.	PART NUMBER	DESCRIPTION
10	1		TUBE, SEPARATOR
20	3		CLAMP, HOSE
30	1		PIPE, COMPLETE (SEPARATOR)
40	1		TUBE (2,BREATHER)
50	1		CLAMP, HOSE
60	1		BOLT, FLANGE
70	1		TUBE, INLET TURBO
80	1		CLAMP, HOSE <=2KRZ999
	1		CLIP, HOSE >=2KS0001
90	1		COMPLETE PIPE, BREATHER
100	1		TUBE (2,BREATHER)
110	1		CLAMP, HOSE
120	1		CLAMP, HOSE
130	1		CLAMP, HOSE <=2KRZ999
	1		CLIP, HOSE >=2KS0001



Bright Forklift

BD3-7570 with V3800 engine (S/N 32 and up)

OIL SEPARATOR (576500)





Bright Forklift

BD3-7570 with V3800 engine (S/N 32 and up)

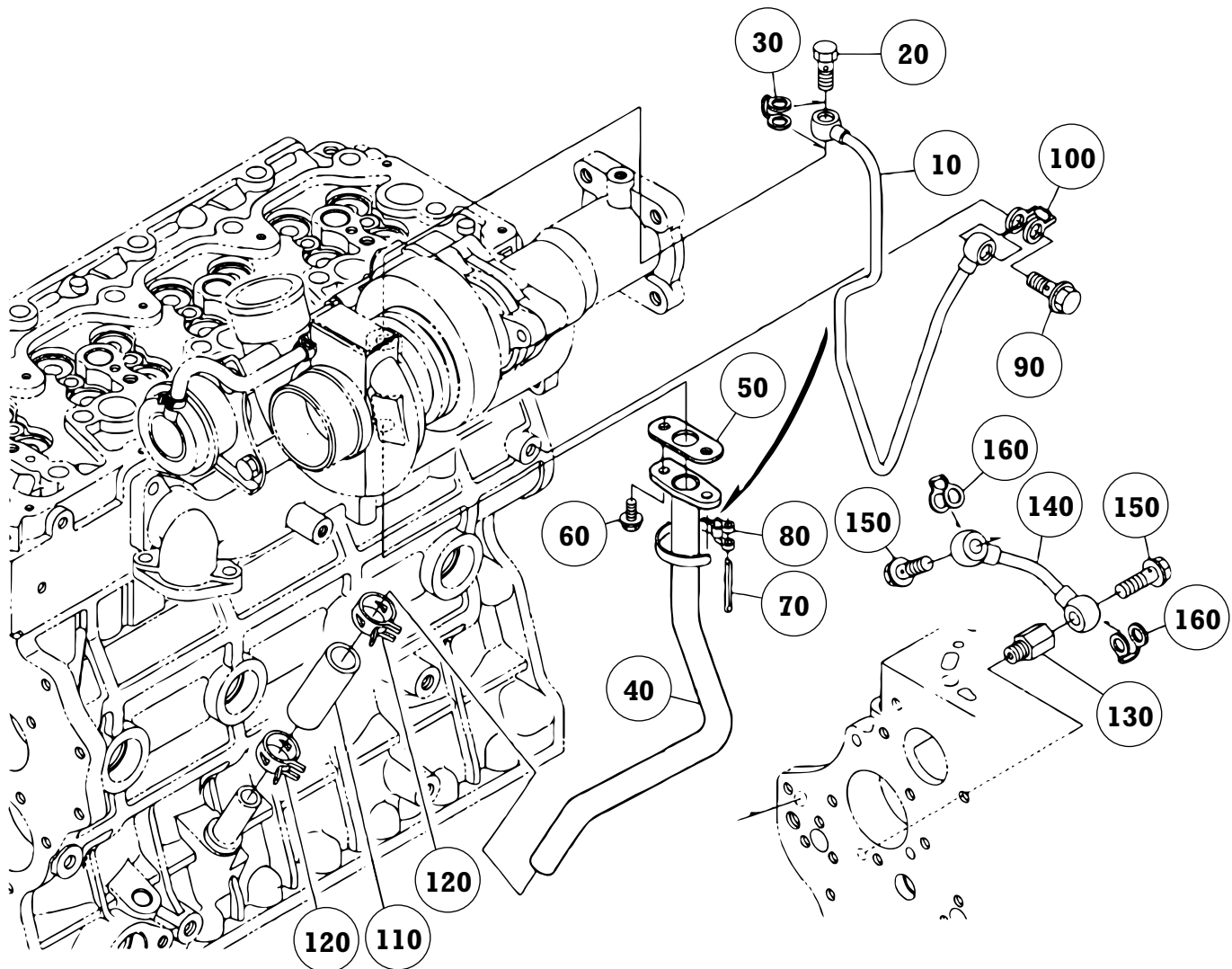
OIL SEPARATOR (576500)

REF	QTY.	PART NUMBER	DESCRIPTION
10	1	097-01404	ASSEMBLY, SEPARATOR
20	1		BRACKET, COMPLETE (SEPARATOR)
30	2		BOLT, FLANGE
40	1		TUBE, OIL RETURN
50	1		CLAMP, HOSE
60	1		CLAMP, HOSE
80	1	097-01405	ELEMENT, KIT

Bright Forklift

BD3-7570 with V3800 engine (S/N 32 and up)

OIL PIPE (TURBO CHARGER) (580000)





Bright Forklift

BD3-7570 with V3800 engine (S/N 32 and up)

OIL PIPE (TURBO CHARGER) (580000)

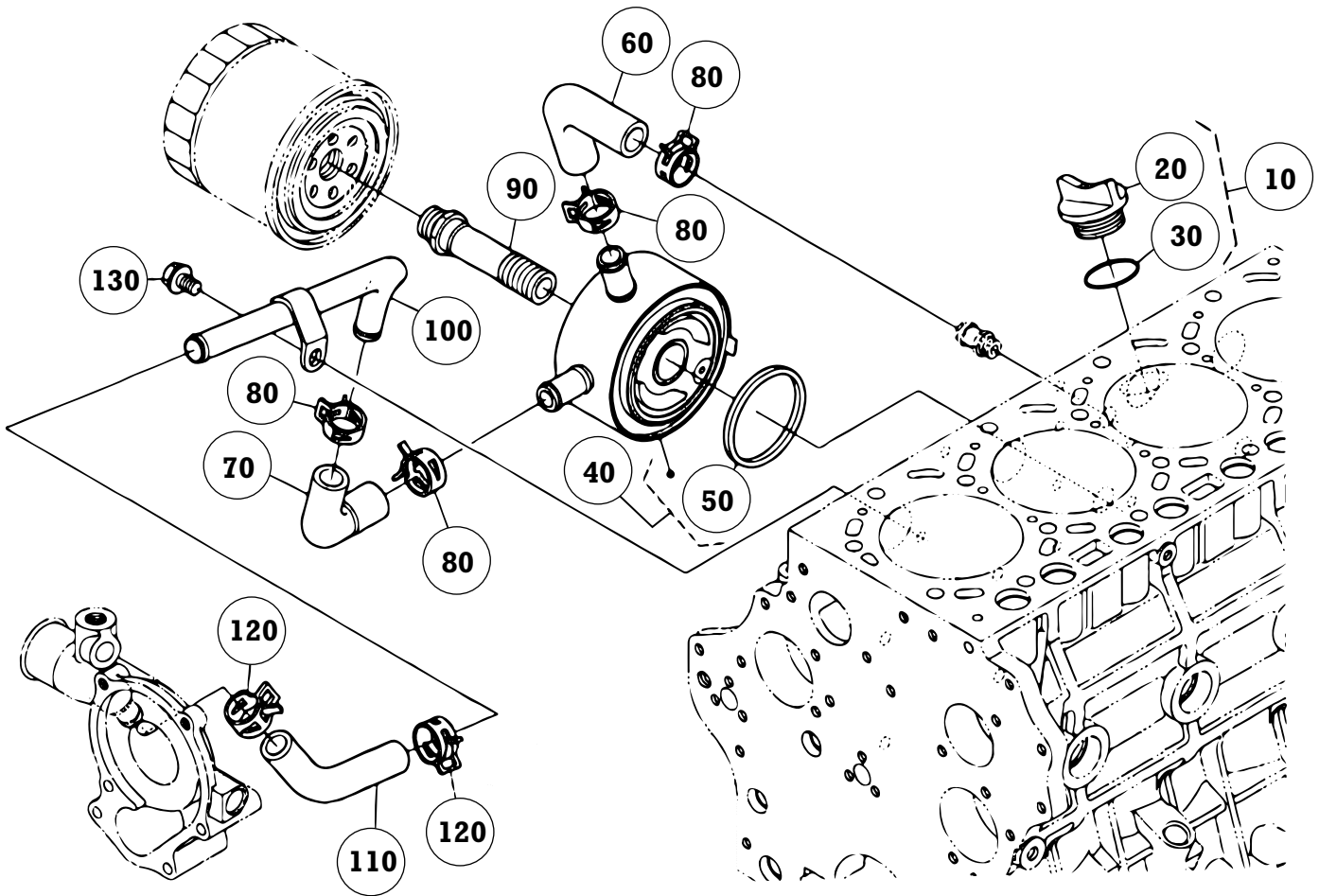
REF	QTY.	PART NUMBER	DESCRIPTION
10	1		PIPE, COMPLETE (1,OIL)
20	1		BOLT, CONNECTING
30	1	097-01032	GASKET
40	1		PIPE, COMPLETE (3,OIL)
50	1		GASKET (OIL PIPE)
60	2		BOLT, FLANGE
70	1		PIN (BAND)
80	1		CLAMP (PIPE)
90	1		BOLT, CONNECTING
100	1	097-01025	GASKET
110	1		HOSE
120	2		CLAMP, HOSE
130	1		JOINT, PIPE (OIL)
140	1		PIPE, COMPLETE (OIL,IG3)
150	2		BOLT, CONNECTING
160	2	097-01025	GASKET



Bright Forklift

BD3-7570 with V3800 engine (S/N 32 and up)

OIL COOLER (582000)





Bright Forklift

BD3-7570 with V3800 engine (S/N 32 and up)

OIL COOLER (582000)

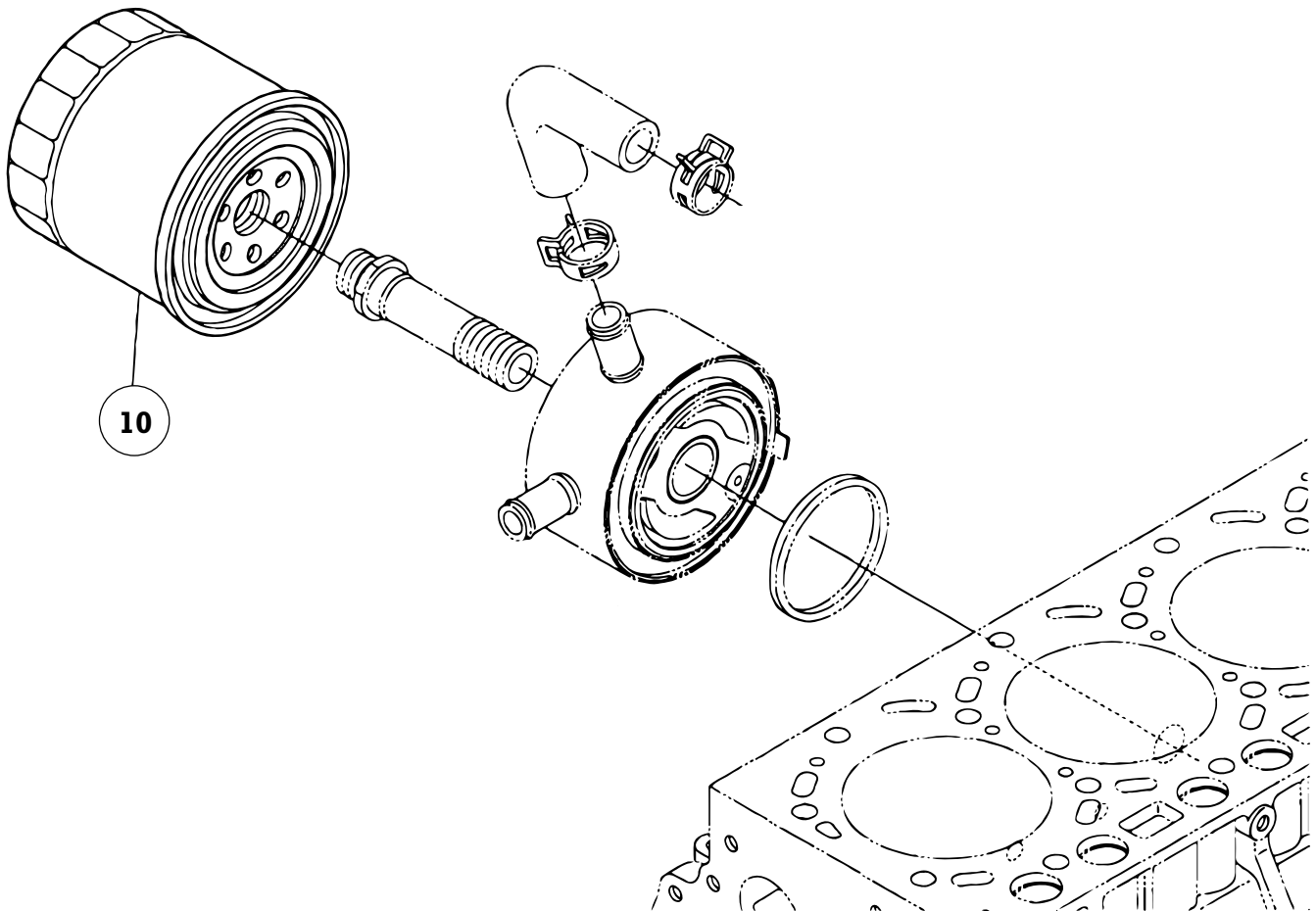
REF	QTY.	PART NUMBER	DESCRIPTION
10	1		ASSEMBLY PLUG, OIL FILLER
20	1		PLUG (OIL FILLER)
30	1		O-RING
40	1	097-01406	COOLER, OIL, ASSEMBLY
50	1	097-01407	GASKET
60	1		HOSE, OIL COOLER
70	1		HOSE, OIL COOLER
80	4		CLAMP, HOSE
90	1		JOINT
100	1		PIPE,COMP (OIL COOLER)
110	1		PIPE, WATER OIL COOLER
120	2		CLAMP, HOSE
130	1		BOLT, FLANGE



Bright Forklift

BD3-7570 with V3800 engine (S/N 32 and up)

OIL FILTER (583000)





Bright Forklift

BD3-7570 with V3800 engine (S/N 32 and up)

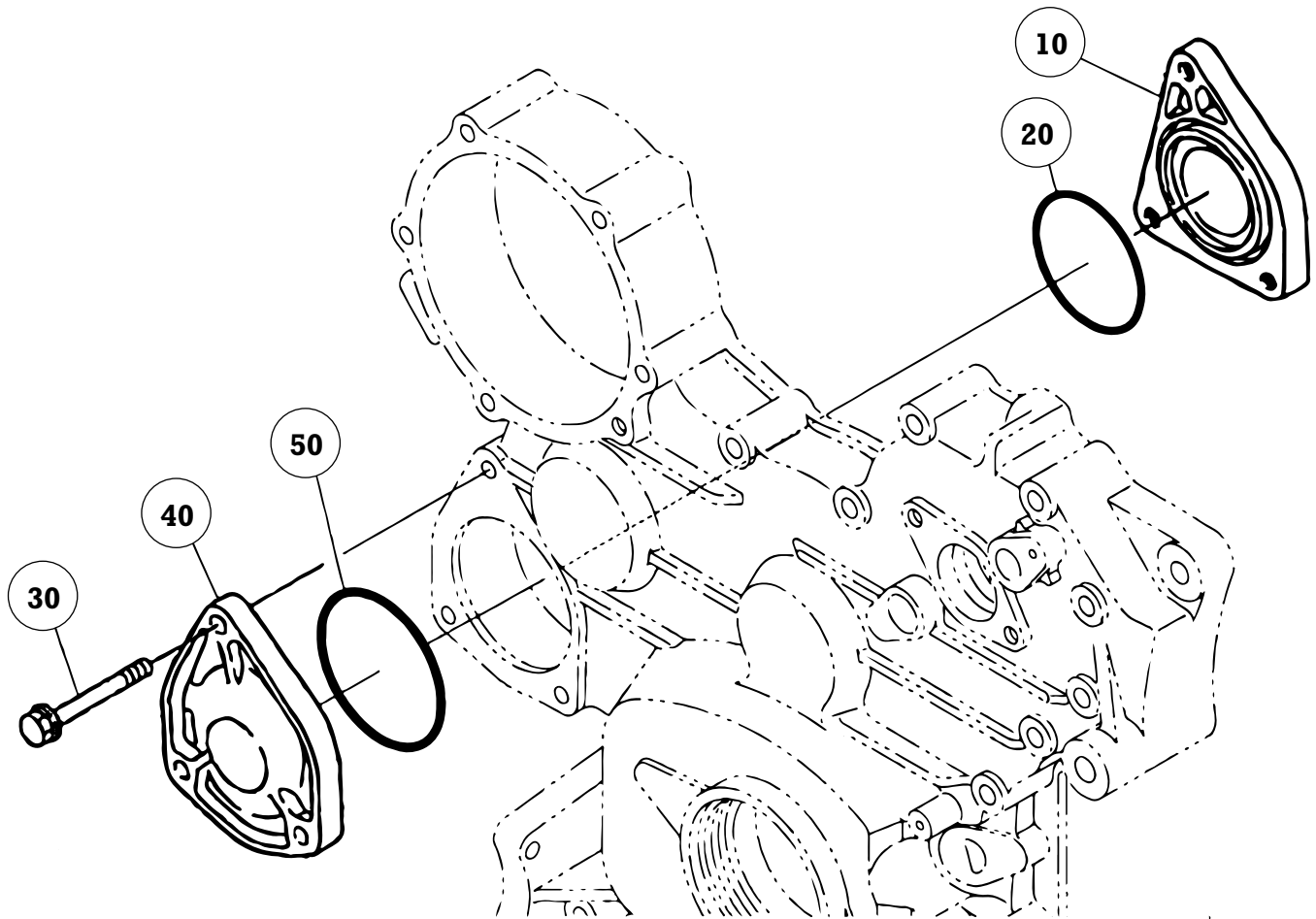
OIL FILTER (583000)

REF	QTY.	PART NUMBER	DESCRIPTION
10	1	097-24901	FILTER, CARTRIDGE, OIL

Bright Forklift

BD3-7570 with V3800 engine (S/N 32 and up)

HYDRAULIC PUMP COVER (585200)





Bright Forklift

BD3-7570 with V3800 engine (S/N 32 and up)

HYDRAULIC PUMP COVER (585200)

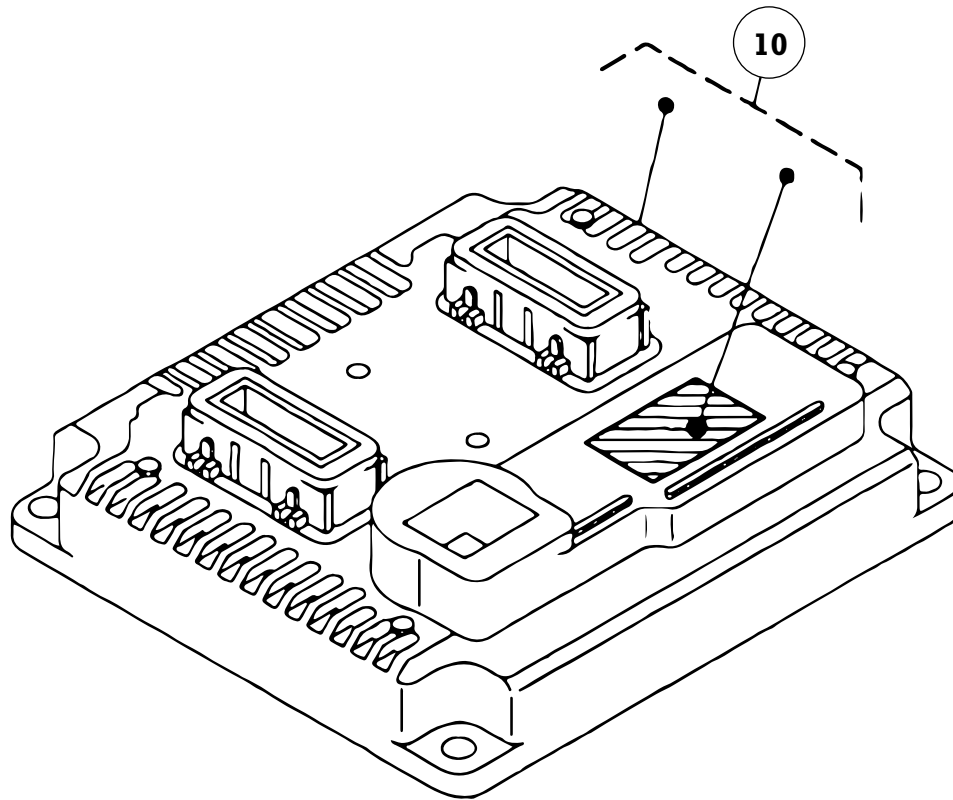
REF	QTY.	PART NUMBER	DESCRIPTION
10	1		COVER, HYDRAULIC PUMP
20	1		O-RING, O/P PUMP
30	3		BOLT, FLANGE
40	1		COVER, HYDRAULIC PUMP
50	1		O-RING, O/P PUMP



Bright Forklift

BD3-7570 with V3800 engine (S/N 32 and up)

ECU (587200)





Bright Forklift

BD3-7570 with V3800 engine (S/N 32 and up)

ECU (587200)

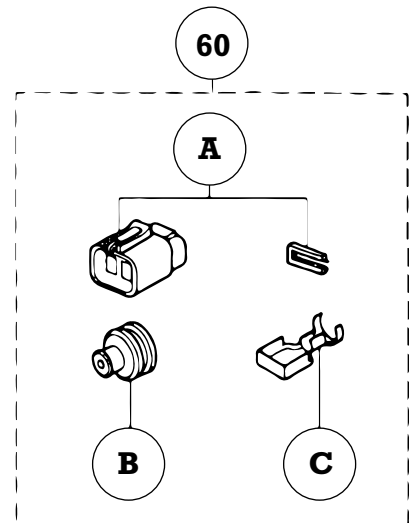
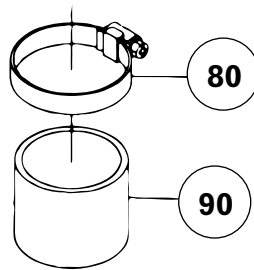
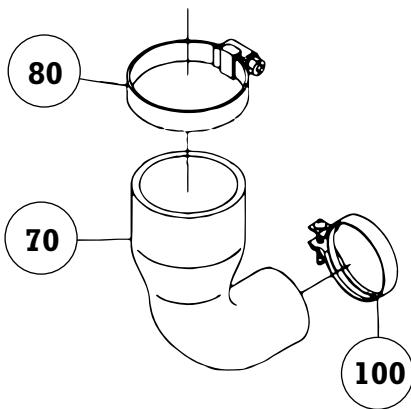
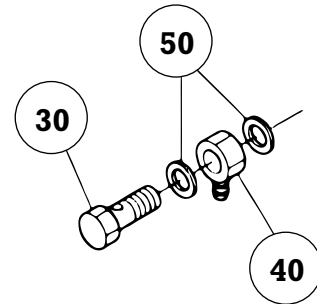
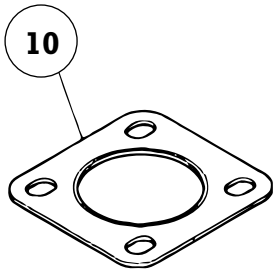
REF	QTY.	PART NUMBER	DESCRIPTION
10	1	097-01403	ECU, SUB-ASSEMBLY (C41-OEM)



Bright Forklift

BD3-7570 with V3800 engine (S/N 32 and up)

ACCESSORIES AND SERVICE PARTS (588000)





Bright Forklift

BD3-7570 with V3800 engine (S/N 32 and up)

ACCESSORIES AND SERVICE PARTS (588000)

REF	QTY.	PART NUMBER	DESCRIPTION
10	1	097-24392	GASKET (MUFFLER)
20	1		VALVE (FUEL CHECK)
30	2	097-20928-01	BOLT, CONNECTING
40	2	097-00266	JOINT, EYE
50	4	097-20933	GASKET
60	1		CONNECTOR, ASSEMBLY
70	1	097-01408	HOSE (INLET)
80	2		CLAMP, HOSE
90	1	097-01172	HOSE (INLET)
100	1		BAND, PIPE

